

Bristol 
compressors
Compressing the World



**P r o d u c t
I n f o r m a t i o n
C a t a l o g**



15185 Industrial Park Road, Bristol, VA 24202
276.466.4121 • FAX 276.645.2423
www.bristolcompressors.com

Revised
July 2003

The Dual Technology Leader / www.bristolcompressors.com

Table of Contents

Model Number System.....	2
Mounting Configuration	3
C & R FAMILY	
H20C.....	4
H70C (R407C).....	4
H21C.....	6
H20R.....	8
H70R.....	10
H21R.....	12
C & R FAMILY DIAGRAMS	12
B FAMILY	
H29B.....	14
H2EB.....	18
H27BQ	20
H26BQ	20
H25BQ	20
H24BQ	24
H23B.....	26
H23BQ	28
H73BQ (R407C)	32
H79B (R407C).....	32
H89B.....	34
B FAMILY DIAGRAMS	36
A FAMILY	
H29A	38
H28A.....	42
H27AQ	44
H26AQ	46
H25AQ	50
H24A.....	52
H23AQ	54
H23A.....	56
H79A (R407C)	60
H78A (R407C)	60
H73A (R407C)	62
H89A (R410A)	64
A FAMILY DIAGRAMS.....	66
TS FAMILY	
T27B	68
T26A	68
T28A	68
T29A	68
T89B	70
T89A (R410A).....	70
T FAMILY DIAGRAMS	72
D & G FAMILY	
H25DQ	74
H25G	76
H75G	78
H2BG	78
H2NG.....	80
H2NG TWO SPEED COMPRESSORS.....	82
H7BG	86
H7NG	86
D & G FAMILY DIAGRAMS	88

C FAMILY

R FAMILY

B FAMILY

A FAMILY

TS FAMILY

D FAMILY

G FAMILY

COMPRESSOR MODEL NUMBER SYSTEM

H 2 9 B 18 U A B C A
 Mounting Feet Dim A = 7.5 x 7.5 B = 4.8 x 8.0 C = 8.4 x 9.8 D = 6.12 x 8.0 E = 9.5 x 9.5
 F = 10.5 x 10.5 H = 7.5 x 21.5 J = 7.5 x 22.5 X = 8.8 x 6.1
 Electrical Characteristics A = 115-1-60 M = 220/200-3-50
 B = 230-1-60 N = 380/415-3-50
 C = 230/208-1-60 P = 240/200-1-50
 D = 230/208-3-60 (220/200-3-50) T = 208-1-60
 E = 460-3-60 (380/415-3-50) U = 220/380-3-60
 F = 575-3-60 (500-3-50) V = 460/380-3-60 (380/415-3-50)
 G = 200-1-60 W = 380/460-3-60
 H = 265-1-60 (220/240-1-50) X = 380-3-60
 J = 230/208-1-50 Y = 230/208-3-60 (No 50 Hz)
 K = 220/240-1-50 Z = 380/415-3-50 Hz
 L = 230/200-3-60 (220/200-3-50)

Motor Protector B = Internal Line Break
 P = Pilot Duty - Solid State
 R = Pilot Duty - Solid State (2nd Generation)
 T = Pilot Duty - Internal Thermostat and External Sensing Elements

Motor Type A = PSC Permanent Split Capacitor F = PWS 3 Phase-Part Winding Start
 B = CSR Capacitor Start/Cap. Run G = 3 Phase 2/4/Pole (2 Speed)
 C = RSCR Resistance Start/Cap. Run J = 1 Phase 2/4 Pole (2 Speed)
 D = AI 3 Phase-Across the Line K = 3 Phase-Dual Voltage
 E = CSIR Cap. Start/Induction Run L = 3 Phase - WYE DELTA

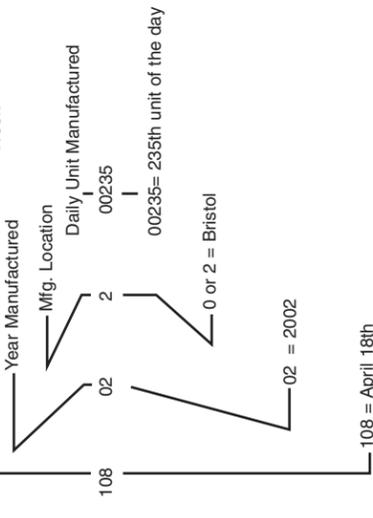
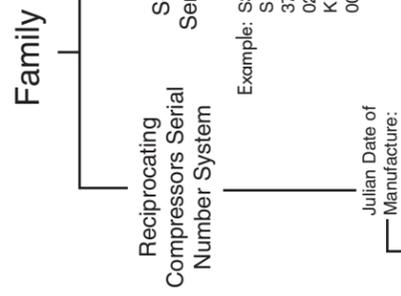
Capacity 183 = 18+3-0's = 18,000; 244 = 24+4-0's = 240,000 BTU/HR
 18U = 18+3-0's = 18,000 BTU/HR

Family A = Model A Reciprocating G = Model G Reciprocating
 B = Model B Reciprocating R = Scroll (>42K)
 C = Scroll (≤42K)
 D = Dual Compressor Application

Generation B = Second Generation- No PRV (Except G series) 2 = Third Generation - Basic Standard Model
 D = Dual Compressor Application (Single & Interconnected) 3 = Fourth Generation - Basic Standard Model
 E = High Efficiency 4 = Basic Standard Model - Improved Sound
 M = Alternate Pressure Relief Valve 5 = Inertia Series - Standard Model
 N = No Pressure Relief Valve (Except G series) 6 = Inertia Series - Hi Efficiency Model
 O = Basic Standard Model 7 = Inertia Series - Second Generation Hi Efficiency Model
 P = Basic Standard Model- Upgrade Plus 8 = Fifth Generation- Basic Standard Model Upgrade
 1 = Second Generation - Basic Standard Model 9 = Sixth Generation- Basic Standard Model Upgrade

Type of Refrigerant 1 = R12 5 = R502 or Alt. Replacement Refrigerant SUVA-HP-81 (Refrigerant R402B)
 2 = R22 6 = R404A (SUVA HP62)
 4 = R134a 7 = R407C (SUVA AC9000 or KLEA 66) 8 = R410A

Refrigeration Application H = High Temperature S = High Temperature (One Capacity / 1,2,3, or 4 cylinder) Half/Single
 M = Medium Temperature T = High Temperature (Two Capacities / 2 or 4 cylinder)- Twin/Single
 L = Low Temperature



108 = April 18th

02 = 2002

00235 = 235th unit of the day

0 or 2 = Bristol

00235 = 235th unit of the day

108 = April 18th

02 = 2002

00235 = 235th unit of the day

0 or 2 = Bristol

00235 = 235th unit of the day

108 = April 18th

02 = 2002

00235 = 235th unit of the day

0 or 2 = Bristol

00235 = 235th unit of the day

108 = April 18th

02 = 2002

00235 = 235th unit of the day

0 or 2 = Bristol

00235 = 235th unit of the day

108 = April 18th

02 = 2002

00235 = 235th unit of the day

0 or 2 = Bristol

00235 = 235th unit of the day

108 = April 18th

02 = 2002

00235 = 235th unit of the day

0 or 2 = Bristol

00235 = 235th unit of the day

108 = April 18th

02 = 2002

00235 = 235th unit of the day

0 or 2 = Bristol

00235 = 235th unit of the day

108 = April 18th

02 = 2002

00235 = 235th unit of the day

0 or 2 = Bristol

00235 = 235th unit of the day

108 = April 18th

02 = 2002

00235 = 235th unit of the day

0 or 2 = Bristol

00235 = 235th unit of the day

108 = April 18th

02 = 2002

00235 = 235th unit of the day

0 or 2 = Bristol

00235 = 235th unit of the day

108 = April 18th

02 = 2002

00235 = 235th unit of the day

0 or 2 = Bristol

00235 = 235th unit of the day

108 = April 18th

02 = 2002

00235 = 235th unit of the day

0 or 2 = Bristol

00235 = 235th unit of the day

108 = April 18th

02 = 2002

00235 = 235th unit of the day

0 or 2 = Bristol

00235 = 235th unit of the day

108 = April 18th

02 = 2002

00235 = 235th unit of the day

0 or 2 = Bristol

00235 = 235th unit of the day

108 = April 18th

02 = 2002

00235 = 235th unit of the day

0 or 2 = Bristol

00235 = 235th unit of the day

108 = April 18th

02 = 2002

00235 = 235th unit of the day

0 or 2 = Bristol

00235 = 235th unit of the day

108 = April 18th

02 = 2002

00235 = 235th unit of the day

0 or 2 = Bristol

00235 = 235th unit of the day

108 = April 18th

02 = 2002

00235 = 235th unit of the day

0 or 2 = Bristol

00235 = 235th unit of the day

108 = April 18th

02 = 2002

00235 = 235th unit of the day

0 or 2 = Bristol

00235 = 235th unit of the day

108 = April 18th

02 = 2002

00235 = 235th unit of the day

0 or 2 = Bristol

00235 = 235th unit of the day

108 = April 18th

02 = 2002

00235 = 235th unit of the day

0 or 2 = Bristol

00235 = 235th unit of the day

108 = April 18th

02 = 2002

00235 = 235th unit of the day

0 or 2 = Bristol

00235 = 235th unit of the day

108 = April 18th

02 = 2002

00235 = 235th unit of the day

0 or 2 = Bristol

00235 = 235th unit of the day

108 = April 18th

02 = 2002

00235 = 235th unit of the day

0 or 2 = Bristol

00235 = 235th unit of the day

108 = April 18th

02 = 2002

00235 = 235th unit of the day

0 or 2 = Bristol

00235 = 235th unit of the day

108 = April 18th

02 = 2002

00235 = 235th unit of the day

0 or 2 = Bristol

00235 = 235th unit of the day

108 = April 18th

02 = 2002

00235 = 235th unit of the day

0 or 2 = Bristol

00235 = 235th unit of the day

108 = April 18th

02 = 2002

00235 = 235th unit of the day

0 or 2 = Bristol

00235 = 235th unit of the day

108 = April 18th

02 = 2002

00235 = 235th unit of the day

0 or 2 = Bristol

00235 = 235th unit of the day

108 = April 18th

02 = 2002

00235 = 235th unit of the day

0 or 2 = Bristol

00235 = 235th unit of the day

108 = April 18th

02 = 2002

00235 = 235th unit of the day

0 or 2 = Bristol

00235 = 235th unit of the day

108 = April 18th

02 = 2002

00235 = 235th unit of the day

0 or 2 = Bristol

00235 = 235th unit of the day

108 = April 18th

02 = 2002

00235 = 235th unit of the day

0 or 2 = Bristol

00235 = 235th unit of the day

108 = April 18th

02 = 2002

00235 = 235th unit of the day

0 or 2 = Bristol

00235 = 235th unit of the day

108 = April 18th

02 = 2002

00235 = 235th unit of the day

0 or 2 = Bristol

00235 = 235th unit of the day

108 = April 18th

02 = 2002

00235 = 235th unit of the day

0 or 2 = Bristol

00235 = 235th unit of the day

108 = April 18th

02 = 2002

00235 = 235th unit of the day

0 or 2 = Bristol

00235 = 235th unit of the day

108 = April 18th

02 = 2002

00235 = 235th unit of the day

0 or 2 = Bristol

00235 = 235th unit of the day

108 = April 18th

02 = 2002

00235 = 235th unit of the day

0 or 2 = Bristol

00235 = 235th unit of the day

108 = April 18th

02 = 2002

00235 = 235th unit of the day

0 or 2 = Bristol

00235 = 235th unit of the day

108 = April 18th

02 = 2002

00235 = 235th unit of the day

0 or 2 = Bristol

00235 = 235th unit of the day

108 = April 18th

02 = 2002

00235 = 235th unit of the day

0 or 2 = Bristol

00235 = 235th unit of the day

108 = April 18th

02 = 2002

00235 = 235th unit of the day

0 or 2 = Bristol

00235 = 235th unit of the day

108 = April 18th

02 = 2002

00235 = 235th unit of the day

0 or 2 = Bristol

00235 = 235th unit of the day

108 = April 18th

H20C SERIES

60 HZ

Model	@45/130					@45/100			@45/110			Electrical Data RLA LRA MCC			Displacement IN/REV CM/REV	
	Capacity BTU/H WATTS		Motor Input WATTS	EER/COP BTU/WH W/W		Capacity BTU/H	Motor Input WATTS	EER	Capacity BTU/H	Motor Input WATTS	EER					
	BTU/H	WATTS	BTU/WH	W/W	BTU/WH	BTU/H	WATTS	BTU/WH	BTU/H	WATTS	BTU/WH					
230/208 VOLTS - 1 Phase																
H20C233ABC	22800	6690	2100	10.9	3.2	27215	1499	18.2	25700	1700	15.1	11.5	64	18.0	1.76	28.83
H20C303ABC	29800	8744	2700	11.0	3.2	35209	1970	17.9	33500	2190	15.3	14.7	83	23.0	2.30	37.67
H20C343ABC	33700	9888	3080	10.9	3.2	40348	2198	18.4	38200	2490	15.3	16.7	95	26.0	2.80	45.86
H20C373ABC	36700	10769	3350	11.0	3.2	43929	2390	18.4	41600	2710	15.4	18.0	105	28.0	3.10	50.78
H20C403ABC	39700	11649	3620	11.0	3.2	47467	2584	18.4	45000	2930	15.4	19.9	115	31.0	3.32	54.38
H20C423ABC	41700	12236	3800	11.0	3.2	49841	2710	18.4	47200	3070	15.4	20.5	115	32.0	3.49	57.17
230/208 VOLTS - 3 Phase																
H20C343DBY	33700	9888	3030	11.1	3.3	39542	2148	18.4	37600	3030	12.4	10.6	75	16.5	2.80	45.86
H20C373DBY	36600	10739	3290	11.1	3.3	43031	2336	18.4	41000	2620	15.6	11.4	90	17.8	3.10	50.78
H20C403DBY	39600	11619	3560	11.1	3.3	46407	2529	18.3	44300	3180	13.9	12.4	90	19.4	3.30	54.05
H20C423DBY	41600	12206	3740	11.1	3.3	48846	2653	18.4	46500	2980	15.6	12.4	90	19.4	3.50	57.33
380 VOLTS - 3 Phase																
H20C373DBX	36680	10762	3290	11.1	3.3	43410	2350	18.5	41300	2635	15.7	8.3	50	13.0	3.10	50.78
H20C423DBX	41600	12206	3740	11.1	3.3	49300	2670	18.5	46900	2990	15.7	8.5	50	13.5	3.50	57.34
460 VOLTS - 3 Phase																
H20C343DBE	33700	9888	3040	11.1	3.3	39903	2161	18.5	37900	2430	15.6	5.3	38	8.3	2.80	45.86
H20C373DBE	36700	10769	3310	11.1	3.3	43424	2351	18.5	41300	2640	15.6	6.2	45	9.7	3.10	50.78
H20C403DBE	39700	11649	3580	11.1	3.3	46945	2542	18.5	44600	2860	15.6	6.2	45	9.7	3.30	54.05
H20C423DBE	41300	12118	3650	11.3	3.3	49377	2594	19.0	46765	2868	16.3	6.7	45	10.5	3.49	57.17
575 VOLTS - 3 Phase																
H20C373DBF	36700	10769	3370	10.9	3.2	42759	2330	18.4	40803	2676	15.2	5.0	36	7.8	3.08	50.45
H20C423DBF	41650	12221	3790	11.0	3.2	48568	2552	19.0	46468	2914	15.9	5.7	36	9.0	3.49	57.17

H20C SERIES

50 HZ

220/240 VOLTS - 1 Phase																
H20C343ABK	27600	8098	2550	10.8	3.2	32655	1819	18.0	31000	2040	15.2	11.5	75	18.0	2.80	45.86
H20C373ABK	30600	8979	2820	10.9	3.2	36596	2031	18.0	34700	2300	15.1	12.5	85	21.5	3.10	50.78
H20C403ABK	32500	9536	3000	10.8	3.2	38418	2142	17.9	36500	2400	15.2	13.8	85	21.5	3.30	54.05
400 VOLTS - 3 Phase																
H20C343DBE	28100	8245	2590	10.8	3.2	32950	1807	18.2	31400	2040	15.4	5.3	38	8.3	2.80	45.86
H20C373DBE	30500	8949	2820	10.8	3.2	35858	1967	18.2	34100	2220	15.4	6.2	45	9.7	3.10	50.78
H20C403DBE	33000	9683	3040	10.9	3.2	38765	2123	18.3	36900	2400	15.4	6.2	45	9.7	3.30	54.05
H20C423DBE	34400	10094	3120	11.0	3.2	41657	2201	18.9	39571	2475	16.0	6.7	45	10.5	3.49	57.17

H70C SERIES (R407C)

50 HZ

220/240 VOLTS - 1 Phase																
H70C343ABK	26678	7828	2579	10.3	3.0	32475	1776	18.3	30597	2036	15.0	11.5	75	22.0	2.80	45.86
H70C373ABK	30198	8861	2935	10.3	3.0	36777	2024	18.2	34999	2246	15.6	13.8	85	22.0	3.10	50.78
H70C403ABK	31388	9210	3012	10.4	3.1	38214	2121	18.0	35993	2398	15.0	13.8	85	24.0	3.30	54.05
400 VOLTS - 3 Phase																
H70C343DBE	27076	7945	2622	10.3	3.0	32769	1781	18.4	30924	2028	15.2	6.0	38	9.0	2.80	45.86
H70C373DBE	29467	8646	2855	10.3	3.0	35663	1921	18.6	33653	2205	15.3	7.1	45	11.0	3.10	50.78
H70C403DBE	31900	9360	3080	10.4	3.0	38600	2090	18.5	36400	2400	15.2	7.1	45	11.0	3.30	54.06

*Data Subject to Revision

H20C SERIES

60 HZ

Model	Oil Charge OZ L		Weight Net Ship Lbs Kg Lbs Kg				ELECTRICAL START COMPONENTS			DIMENSIONS *DIAGRAMS FOUND ON PAGE 12						
							Run Capacitor MFD/VOLTS	Start Capacitor MFD/VOLTS	G.E. Relay	A		B		C		
	IN	MM	IN	MM	IN	MM	IN	MM								
230/208 VOLTS - 1 Phase																
H20C233ABC	36	1.1	57.3	26.0	60.1	27.3	35/370	88-108/320	3ARR3*9P*	9.4	239.8	14.3	362.4	15.8	401.5	
H20C303ABC	36	1.1	58.5	26.6	61.3	27.9	35/440	88-108/250	3ARR3*10S*	9.4	239.8	14.3	362.4	15.8	401.5	
H20C343ABC	36	1.1	61.5	28.0	64.3	29.2	35/440	88-108/250	3ARR3*25S*	10.2	258.1	15.2	384.5	16.7	423.6	
H20C373ABC	36	1.1	63.0	28.6	65.8	29.9	35/440	88-108/250	3ARR3*6S*	10.2	258.1	15.2	384.5	16.7	423.6	
H20C403ABC	36	1.1	64.0	29.1	66.8	30.4	40/440	88-108/250	3ARR3*6S*	10.2	258.1	15.2	384.5	16.7	423.6	
H20C423ABC	36	1.1	64.5	29.3	67.3	30.6	40/440	88-108/250	3ARR3*6S*	10.2	258.1	15.2	384.5	16.7	423.6	
230/208 VOLTS - 3 Phase																
H20C343DBY	36	1.1	61.5	28.0	64.3	29.2	-Not Req'd	-Not Req'd	-Not Req'd	10.2	258.1	15.2	384.5	16.7	423.6	
H20C373DBY	36	1.1	63.0	28.6	65.8	29.9	-Not Req'd	-Not Req'd	-Not Req'd	10.2	258.1	15.2	384.5	16.7	423.6	
H20C403DBY	36	1.1	64.0	29.1	66.8	30.4	-Not Req'd	-Not Req'd	-Not Req'd	10.2	258.1	15.2	384.5	16.7	423.6	
H20C423DBY	36	1.1	64.5	29.3	67.3	30.6	-Not Req'd	-Not Req'd	-Not Req'd	10.2	258.1	15.2	384.5	16.7	423.6	
380 VOLTS - 3 Phase																
H20C373DBX	36	1.0	68.0	30.9	78.0	35.5	-Not Req'd	-Not Req'd	-Not Req'd	10.2	258.0	15.2	384.4	16.7	423.4	
H20C423DBX	36	1.0	69.0	31.4	74.0	33.7	-Not Req'd	-Not Req'd	-Not Req'd	10.2	258.0	15.2	384.4	16.7	423.4	
460 VOLTS - 3 Phase																
H20C343DBE	36	1.1	61.5	28.0	64.3	29.2	-Not Req'd	-Not Req'd	-Not Req'd	10.2	258.1	15.2	384.5	16.7	423.6	
H20C373DBE	36	1.1	63.0	28.6	65.8	29.9	-Not Req'd	-Not Req'd	-Not Req'd	10.2	258.1	15.2	384.5	16.7	423.6	
H20C403DBE	36	1.1	64.0	29.1	66.8	30.4	-Not Req'd	-Not Req'd	-Not Req'd	10.2	258.1	15.2	384.5	16.7	423.6	
H20C423DBE	36	1.1	65.5	29.8	68.3	31.0	-Not Req'd	-Not Req'd	-Not Req'd	10.2	258.1	15.2	384.5	16.7	423.6	
575 VOLTS - 3 Phase																
H20C373DBF	36	1.1	65.5	29.8	68.3	31.0	-Not Req'd	-Not Req'd	-Not Req'd	10.2	258.1	15.2	384.5	16.7	423.6	
H20C423DBF	36	1.1	65.5	29.8	70.0	31.8	-Not Req'd	-Not Req'd	-Not Req'd	10.2	258.1	15.2	384.5	16.7	423.6	

H20C SERIES

50 HZ

220/240 VOLTS - 1 Phase																
H20C343ABK	36	1.1	61.5	28.0	64.3	29.2	55/440	88-108/250	3ARR3*24AP*	10.2	258.1	15.2	384.5	16.7	423.6	
H20C373ABK	36	1.1	61.5	28.0	64.3	29.2	55/440	88-108/250	3ARR3*24AP*	10.2	258.1	15.2	384.5	16.7	423.6	
H20C403ABK	36	1.1	64.0	29.1	69.0	31.4	55/440	88-108/250	3ARR3*24AP*	10.2	258.1	15.2	384.5	16.7	423.6	
400 VOLTS - 3 Phase																
H20C343DBE	36	1.1	61.5	28.0	64.3	29.2	-Not Req'd	-Not Req'd	-Not Req'd	10.2	258.1	15.2	384.5	16.7	423.6	
H20C373DBE	36	1.1	61.5	28.0	64.3	29.2	-Not Req'd	-Not Req'd	-Not Req'd	10.2	258.1	15.2	384.5	16.7	423.6	
H20C403DBE	36	1.1	61.5	28.0	64.3	29.2	-Not Req'd	-Not Req'd	-Not Req'd	10.2	258.1	15.2	384.5	16.7	423.6	
H20C423DBE	36	1.1	61.5	28.0	64.3	29.2	-Not Req'd	-Not Req'd	-Not Req'd	10.2	258.1	15.2	384.5	16.7	423.6	

H70C SERIES (R407C)

50 HZ

220/240 VOLTS - 1 Phase																
H70C343ABK	36	1.1	63.0	28.6	65.5	29.8	55/440	88-108/250	3ARR3*24AP*	10.2	258.0	15.2	384.5	16.7	423.6	
H70C373ABK	36	1.1	63.0	28.6	65.5	29.8	55/440	88-108/250	3ARR3*24AP*	10.2	258.1	15.2	384.5	16.7	423.6	
H70C403ABK	36	1.1	65.5	29.8	68.0	29.8	55/440	88-108/250	3ARR3*24AP*	10.2	258.0	15.2	384.5	16.7	423.6	
400 VOLTS - 3 Phase																
H70C343DBE	36	1.1	65.5	29.8	68.0	30.9	-Not Req'd	-Not Req'd	-Not Req'd	10.2	258.0	15.2	384.5	16.7	423.6	
H70C373DBE	36	1.1	65.5	29.8	68.0	30.9	-Not Req'd	-Not Req'd	-Not Req'd	10.2	258.0	15.2	384.5	16.7	423.6	
H70C403DBE	36	1.0	65.5	29.8	68.0	30.9	-Not Req'd	-Not Req'd	-Not Req'd	10.2	257.9	15.2	384.4	16.7	423.4	

H21C SERIES

60 HZ

Model	@45/130					@45/100			@45/110			Electrical Data RLA LRA MCC			Displacement IN ³ /REV CM ³ /REV	
	Capacity		Motor Input	EER/COP		Capacity	Motor Input	EER	Capacity	Motor Input	EER					
	BTU/H	WATTS	WATTS	BTU/WH	W/W	BTU/H	WATTS	BTU/WH	BTU/H	WATTS	BTU/WH					
230/208 VOLTS - 1 Phase																
H21C263ABC	25400	7453	2350	10.8	3.2	30327	1585	19.1	28535	1797	15.9	12.5	68	19.5	1.99	32.60
H21C293ABC	28700	8421	2600	11.0	3.2	33664	1775	19.0	32022	2014	15.9	14.1	78	22.0	2.22	36.36
H21C343ABC	33400	9800	3060	10.9	3.2	40022	2077	19.3	37579	2359	15.9	16.7	97	26.0	2.82	46.19
H21C383ABC	37500	11003	3425	10.9	3.2	44208	2306	19.2	42292	2633	16.1	19.2	105	30.0	3.12	51.11
H21C403ABC	39700	11649	3580	11.1	3.3	46842	2458	19.1	44573	2794	16.0	18.3	115	29.0	3.32	54.38
H21C423ABC	41400	12148	3750	11.0	3.2	49226	2578	19.1	46678	2900	16.1	20.5	115	32.0	3.48	57.00
230/208 VOLTS - 3 Phase																
H21C343DBY	33250	9756	3050	10.9	3.2	39700	2080	19.1	37500	2370	15.8	11.2	75	17.5	2.82	46.20
H21C383DBY	37441	10986	3399	11.0	3.2	44768	2319	19.3	42186	2632	16.0	13.5	90	21.0	3.20	52.42
H21C423DBY	41365	12137	3750	11.0	3.2	46699	2869	16.3	44169	3264	13.5	14.1	90	22.0	3.48	57.00
460 VOLTS - 3 Phase																
H21C343DBE	33200	9741	3050	10.9	3.2	39700	2090	19.0	37500	2380	15.8	5.5	38	8.5	2.82	46.20
H21C383DBE	37300	10929	3380	11.0	3.2	44400	2310	19.2	42000	2610	16.1	7.0	45	11.0	3.20	52.42
H21C423DBE	41343	12131	3742	11.0	3.2	49006	2535	19.3	46699	2869	16.3	7.1	45	11.0	3.50	57.33
575 VOLTS - 3 Phase																
H21C423DBF	41466	12167	3756	11.0	3.2	49537	2578	19.2	46607	2922	16.0	5.7	36	9.0	3.50	57.33

H21C SERIES

50 HZ

380/415 VOLTS - 3 Phase																
H21C343DBE	28000	8216	2620	10.7	3.1	33871	1801	18.8	31915	2052	15.6	5.5	38	8.5	2.82	46.19

*Data Subject to Revision

H21C SERIES

60 HZ

Model	Oil Charge OZ L		Weight Net Ship Lbs Kg Lbs Kg				ELECTRICAL START COMPONENTS			DIMENSIONS *DIAGRAMS FOUND ON PAGE 12						
							Run Capacitor	Start Capacitor	G.E. Relay	A		B		C		
	MFD/VOLTS	MFD/VOLTS		IN	MM	IN	MM	IN	MM							
230/208 VOLTS - 1 Phase																
H21C263ABC	36	1.1	57.3	26.0	59.8	27.2	45/370	145-175/330	3ARR3*3M*	9.4	239.8	14.3	362.4	15.8	401.5	
H21C293ABC	36	1.1	57.3	26.0	60.1	27.3	35/440	88-108/250	3ARR3*10S*	9.4	239.8	14.3	362.4	15.8	401.5	
H21C343ABC	36	1.1	65.2	29.6	68.0	30.9	50/370	145-175/250	3ARR3*3L*	10.2	258.1	15.2	384.5	16.7	423.6	
H21C383ABC	36	1.1	65.5	29.8	68.3	31.0	35/440	88-108/250	3ARR3*6S*	10.2	258.1	15.2	384.5	16.7	423.6	
H21C403ABC	36	1.1	65.5	29.8	68.3	31.0	40/440	88-108/250	3ARR3*6S*	10.2	258.1	15.2	384.5	16.7	423.6	
H21C423ABC	36	1.1	65.5	29.8	68.3	31.0	40/440	88-108/250	3ARR3*6S*	10.2	258.1	15.2	384.5	16.7	423.6	
230/208 VOLTS - 3 Phase																
H21C343DBY	36	1.1	65.2	29.7	67.7	30.8	-Not Req'd	-Not Req'd	-Not Req'd	10.2	258.0	15.2	384.4	16.7	423.4	
H21C383DBY	36	1.1	65.5	29.8	70.0	31.8	-Not Req'd	-Not Req'd	-Not Req'd	10.2	258.1	15.2	384.5	16.7	423.6	
H21C423DBY	36	1.1	65.5	29.8	70.0	31.8	-Not Req'd	-Not Req'd	-Not Req'd	10.2	258.1	15.2	384.5	16.7	423.6	
460 VOLTS - 3 Phase																
H21C343DBE	36	1.1	65.2	29.7	67.7	30.8	-Not Req'd	-Not Req'd	-Not Req'd	10.2	258.0	15.2	384.4	16.7	423.4	
H21C383DBE	36	1.1	65.5	29.8	70.0	31.8	-Not Req'd	-Not Req'd	-Not Req'd	10.2	258.1	15.2	384.5	16.7	423.6	
H21C423DBE	36	1.1	65.5	29.8	70.0	31.8	-Not Req'd	-Not Req'd	-Not Req'd	10.2	258.1	15.2	384.5	16.7	423.6	
575 VOLTS - 3 Phase																
H21C423DBF	36	1.1	65.7	29.9	70.0	31.8	-Not Req'd	-Not Req'd	-Not Req'd	10.2	258.1	15.2	384.5	16.7	423.6	

H21C SERIES

50 HZ

380/415 VOLTS - 3 Phase																
H21C343DBE	36	1.1	65.2	29.6	67.7	30.8	-Not Req'd	-Not Req'd	-Not Req'd	10.2	258.1	15.2	384.5	16.7	423.6	

H20R SERIES

60 HZ

Model	@45/130					@45/100			@45/110			Electrical Data RLA LRA MCC			Displacement IN ³ /REV CM ³ /REV		
	Capacity BTU/H WATTS		Motor Input WATTS	EER/COP BTU/WH W/W		Capacity BTU/H	Motor Input WATTS	EER/COP BTU/WH	Capacity BTU/H	Motor Input WATTS	EER/COP BTU/WH						
230/208 VOLTS - 1 Phase																	
H20R453ABC	44600	13087	3940	11.3	3.3	52335	2859	18.3	49800	2860	17.4	21.8	124	34.0	3.70	60.61	
H20R483ABC	47500	13938	4200	11.3	3.3	55824	3054	18.3	53200	3400	15.6	24.4	140	38.0	3.96	64.86	
H20R583ABC	57400	16842	5080	11.3	3.3	67455	3689	18.3	64200	4110	15.6	28.9	165	45.0	4.80	78.62	
H20R603ABC	59400	17429	5250	11.3	3.3	69780	3817	18.3	66400	4250	15.6	28.9	165	45.0	5.00	81.90	
H20R683ABC	67400	19777	5920	11.4	3.3	79503	4189	19.0	75880	4686	16.2	29.0	150	40.0	5.60	91.73	
H20R723ABC	71143	20875	6186	11.5	3.4	84027	4441	18.9	79976	4928	16.2	29.0	175	45.0	5.90	96.64	
H20R753ABC	74000	21713	6450	11.5	3.4	87423	4624	18.9	83076	5131	16.2	29.5	175	46.0	6.20	101.56	
230/208 VOLTS - 3 Phase																	
H20R453DBY	44600	13087	3890	11.5	3.4	52335	2847	18.4	49800	3160	15.8	12.8	93	20.0	3.70	60.61	
H20R483DBY	47500	13938	4150	11.4	3.4	55826	3036	18.4	53200	3370	15.8	14.1	105	22.0	3.96	64.86	
H20R583DBY	57400	16842	5020	11.4	3.4	67454	3672	18.4	64200	4080	15.7	16.0	125	25.0	4.80	78.62	
H20R603DBY	59400	17429	5190	11.4	3.4	69799	3800	18.4	66434	4219	15.7	16.0	125	25.0	5.00	81.90	
H20R683DBY	67375	19769	5835	11.5	3.4	78632	4215	18.7	74956	4700	15.9	20.0	146	30.0	5.70	93.37	
H20R723DBY	72700	21592	6310	11.4	3.4	85400	4490	19.0	81200	4970	16.3	20.0	146	30.0	5.90	96.64	
H20R753DBY	74800	21948	6570	11.4	3.3	88268	4753	18.6	83900	5310	15.8	18.9	146	29.5	6.50	106.47	
230/200 VOLTS - 3 Phase																	
H20R813DBL	81500	23913	6980	11.7	3.4	95400	5010	19.0	91000	5620	16.2	21.8	184	34.0	6.60	108.12	
H20R943DBL	94500	27727	8110	11.7	3.4	111000	5880	18.9	05900	6550	16.2	25.6	190	40.0	8.00	131.06	
380 VOLTS - 3 Phase																	
H20R453DBX	43840	12863	3945	11.1	3.3	51350	2850	18.0	48810	3175	15.4	7.2	56	11.2	3.70	60.61	
H20R583DBX	57400	16842	5020	11.4	3.4	67500	3670	18.4	64200	4080	15.7	9.7	73	16.8	4.80	78.63	
H20R603DBX	58820	17258	5215	11.3	3.3	69090	3495	19.8	66100	3990	16.6	10.1	73	16.8	4.90	80.27	
H20R753DBX	74800	21947	6570	11.4	3.3	88300	4750	18.6	83900	5310	15.8	11.5	88	17.9	6.20	101.57	
460 VOLTS - 3 Phase																	
H20R453DBE	44600	13087	3890	11.5	3.4	52335	2844	18.4	49824	3161	15.8	6.4	47	10.0	3.70	60.61	
H20R483DBE	47500	13938	4150	11.4	3.4	55819	3036	18.4	53200	3370	15.8	7.1	55	11.0	3.96	64.86	
H20R583DBE	57400	16842	5020	11.4	3.4	67454	3672	18.4	64200	4080	15.7	8.0	67	12.5	4.80	78.62	
H20R603DBE	59400	17429	5190	11.4	3.4	69780	3800	18.4	66400	4220	15.7	8.0	67	12.5	5.00	81.90	
H20R683DBE	67375	19769	5835	11.5	3.4	78632	4215	18.7	74956	4700	15.9	8.4	73	13.0	5.70	93.37	
H20R723DBE	72282	21209	6311	11.5	3.4	85385	4495	19.0	81266	4973	16.3	8.4	73	13.0	5.90	96.64	
H20R753DBE	75300	22095	6480	11.6	3.4	87498	4632	18.9	83500	5180	16.1	9.5	73	14.8	6.50	106.47	
H20R813DBE	81557	23931	6970	11.7	3.4	95406	5013	19.0	90994	5613	16.2	11.0	90	17.0	6.60	108.11	
H20R943DBE	94544	27740	8117	11.6	3.4	110965	5876	18.9	05875	6547	16.2	12.0	91	20.0	8.00	131.06	
575 VOLTS - 3 Phase																	
H20R453DBF	44476	13050	3913	11.4	3.3	52232	2870	18.2	49666	3187	15.6	5.8	40	9.0	3.70	60.61	
H20R483DBF	47500	13937	4150	11.4	3.4	55800	3040	18.4	53150	3370	15.8	5.6	44	9.0	4.00	65.53	
H20R583DBF	56600	16608	4980	11.4	3.3	66709	3459	19.3	63340	3927	16.1	6.4	50	10.0	4.67	76.49	
H20R603DBF	58200	17077	5160	11.3	3.3	66709	3459	19.3	63340	3927	16.1	6.4	50	10.0	4.83	79.12	
H20R683DBF	67375	19769	5835	11.5	3.4	78632	4215	18.7	74956	4700	15.9	6.7	60	11.0	5.70	93.37	
H20R723DBF	72333	21224	6310	11.5	3.4	85023	4495	18.9	81189	4973	16.3	6.7	60	11.0	5.90	96.64	
H20R753DBF	74800	21948	6560	11.4	3.3	86709	3459	19.3	63340	3927	16.1	7.6	58	11.8	6.18	101.23	
H20R813DBF	81560	23930	6970	11.7	3.4	95400	5010	19.0	91000	5610	16.2	9.0	73	14.5	6.60	108.12	

*Data Subject to Revision

H20R SERIES

60 HZ

Model	Oil Charge OZ L		Weight Net Ship Lbs Kg Lbs Kg				ELECTRICAL START COMPONENTS			DIMENSIONS *DIAGRAMS FOUND ON PAGE 13					
							Run Capacitor MFD/VOLTS	Start Capacitor MFD/VOLTS	G.E. Relay	A		B		C	
										IN	MM	IN	MM	IN	MM
230/208 VOLTS - 1 Phase															
H20R453ABC	65	1.9	77.0	35.0	82.0	37.3	50/440	88-108/250	3ARR3*25S*	11.7	296.2	16.6	422.3	18.2	461.4
H20R483ABC	65	1.9	79.0	35.9	81.8	37.2	50/440	88-108/250	3ARR3*25S*	11.7	296.2	16.6	422.3	18.2	461.4
H20R583ABC	65	1.9	84.5	38.4	87.3	39.7	55/440	88-108/250	3ARR3*25S*	12.2	310.9	17.5	444.7	19.1	483.7
H20R603ABC	65	1.9	85.0	38.6	90.0	40.9	55/440	88-108/250	3ARR3*25S*	12.2	310.9	17.5	444.7	19.1	483.7
H20R683ABC	65	1.9	88.0	40.0	93.0	42.3	60/370	161-193/250	3ARR3*3L*	12.2	310.9	17.5	444.7	19.1	483.7
H20R723ABC	65	1.9	90.0	40.9	95.0	43.2	80/370	145-175/330	3ARR3*3P*	12.2	310.9	17.5	444.7	19.1	483.7
H20R753ABC	65	1.9	90.0	40.9	95.0	43.2	80/370	145-175/330	3ARR3*3P*	12.2	310.9	17.5	444.7	19.1	483.7
230/208 VOLTS - 3 Phase															
H20R453DBY	70	2.1	77.0	35.0	79.8	36.3	-Not Req'd	-Not Req'd	-Not Req'd	11.7	296.2	16.6	422.3	18.2	461.4
H20R483DBY	70	2.1	79.0	35.9	81.8	37.2	-Not Req'd	-Not Req'd	-Not Req'd	11.7	296.2	16.6	422.3	18.2	461.4
H20R583DBY	76	2.2	84.5	38.4	87.3	39.7	-Not Req'd	-Not Req'd	-Not Req'd	12.2	310.9	17.5	444.7	19.1	483.7
H20R603DBY	76	2.2	85.0	38.6	87.8	39.9	-Not Req'd	-Not Req'd	-Not Req'd	12.2	310.9	17.5	444.7	19.1	483.7
H20R683DBY	80	2.4	89.0	40.5	94.0	42.7	-Not Req'd	-Not Req'd	-Not Req'd	12.2	310.9	17.5	444.7	19.1	483.7
H20R723DBY	80	2.4	89.0	40.5	94.0	42.7	-Not Req'd	-Not Req'd	-Not Req'd	12.2	310.9	17.5	444.7	19.1	483.7
H20R753DBY	80	2.4	95.0	43.2	97.8	44.5	-Not Req'd	-Not Req'd	-Not Req'd	12.2	310.9	17.5	444.7	19.1	483.7
230/200 VOLTS - 3 Phase															
H20R813DBL	80	2.3	95.0	43.2	100.0	45.5	-Not Req'd	-Not Req'd	-Not Req'd	13.8	349.8	19.0	483.2	20.1	509.9
H20R943DBL	90	2.6	97.0	44.1	102.0	46.4	-Not Req'd	-Not Req'd	-Not Req'd	13.8	349.8	19.3	489.5	20.3	516.2
380 VOLTS - 3 Phase															
H20R453DBX	70	2.0	87.0	39.6	92.0	41.9	-Not Req'd	-Not Req'd	-Not Req'd	11.7	296.1	16.6	422.2	18.2	461.2
H20R583DBX	65	1.9	88.0	40.0	93.0	42.3	-Not Req'd	-Not Req'd	-Not Req'd	12.3	310.8	17.5	444.5	19.1	483.6
H20R603DBX	72	2.1	93.0	42.3	98.0	44.6	-Not Req'd	-Not Req'd	-Not Req'd	12.3	310.8	17.5	444.5	19.1	483.6
H20R753DBX	80	2.3	90.0	40.9	95.0	43.2	-Not Req'd	-Not Req'd	-Not Req'd	12.3	310.8	17.5	444.5	19.1	483.6
460 VOLTS - 3 Phase															
H20R453DBE	70	2.1	78.0	35.5	80.8	36.7	-Not Req'd	-Not Req'd	-Not Req'd	11.7	296.2	16.6	422.3	18.2	461.4
H20R483DBE	70	2.1	79.0	35.9	81.8	37.2	-Not Req'd	-Not Req'd	-Not Req'd	11.7	296.2	16.6	422.3	18.2	461.4
H20R583DBE	76	2.2	84.5	38.4	87.3	39.7	-Not Req'd	-Not Req'd	-Not Req'd	12.2	310.9	17.5	444.7	19.1	483.7
H20R603DBE	76	2.2	85.0	38.6	87.8	39.9	-Not Req'd	-Not Req'd	-Not Req'd	12.2	310.9	17.5	444.7	19.1	483.7
H20R683DBE	80	2.4	88.0	40.0	93.0	42.3	-Not Req'd	-Not Req'd	-Not Req'd	12.2	310.9	17.5	444.7	19.1	483.7
H20R723DBE	80	2.4	88.0	40.0	93.0	42.3	-Not Req'd	-Not Req'd	-Not Req'd	12.2	310.9	17.5	444.7	19.1	483.7
H20R753DBE	80	2.4	95.0	43.2	97.8	44.5	-Not Req'd	-Not Req'd	-Not Req'd	12.2	310.9	17.5	444.7	19.1	483.7
H20R813DBE	80	2.4	95.0	43.2	100	45.5	-Not Req'd	-Not Req'd	-Not Req'd	13.8	350.0	19.0	483.4	20.1	510.1
H20R943DBE	90	2.6	97.0	44.1	102.0	46.4	-Not Req'd	-Not Req'd	-Not Req'd	13.8	349.8	19.3	489.5	20.3	516.2
575 VOLTS - 3 Phase															
H20R453DBF	70	2.1	78.0	35.5	85.0	38.6	-Not Req'd	-Not Req'd	-Not Req'd	11.7	296.2	16.6	422.3	18.2	461.4
H20R483DBF	70	2.1	87.0	39.6	92.0	41.9	-Not Req'd	-Not Req'd	-Not Req'd	11.7	296.1	16.6	422.2	18.2	461.2
H20R583DBF	72	2.1</													

H20R SERIES

50 HZ

Model	@45/130					@45/100			@45/110			Electrical Data RLA LRA MCC			Displacement IN ³ /REV CM ³ /REV	
	Capacity BTU/H WATTS		Motor Input WATTS	EER/COP BTU/WH W/W		Capacity BTU/H	Motor Input WATTS	EER/COP BTU/WH	Capacity BTU/H	Motor Input WATTS	EER/COP BTU/WH					
220/240 VOLTS - 1 Phase																
H20R453ABK	36000	10563	3280	11.0	3.2	43203	2389	18.1	41100	2670	15.4	14.7	102	23.0	3.70	60.61
H20R583ABK	47200	13849	4230	11.2	3.3	55705	3079	18.1	52900	3440	15.4	19.2	140	30.0	4.80	78.62
H20R603ABK	48800	14319	4380	11.1	3.3	57626	3182	18.1	54800	3560	15.4	19.2	140	30.0	5.00	81.90
220/200 VOLTS - 3 Phase																
H20R943DBL	78700	23091	6750	11.7	3.4	92500	4900	18.9	88200	5425	16.3	25.6	190	40.0	8.00	131.06
400 VOLTS - 3 Phase																
H20R453DBE	37100	10886	3310	11.2	3.3	43611	2390	18.2	41519	2669	15.6	6.4	47	10.0	3.70	60.61
H20R483DBE	39600	11619	3530	11.2	3.3	46518	2551	18.2	44300	2850	15.5	7.1	55	11.0	3.96	64.86
H20R583DBE	47900	14055	4270	11.2	3.3	56209	3083	18.2	53500	3440	15.6	8.0	67	12.5	4.80	78.62
H20R603DBE	49500	14524	4410	11.2	3.3	58148	3189	18.2	55400	3560	15.6	8.0	67	12.5	5.00	81.90
H20R683DBE	55910	16405	4875	11.5	3.4	65260	3560	18.3	62200	4095	15.2	8.1	73	11.5	5.70	93.38
H20R723DBE	59950	17590	5325	11.3	3.3	70900	3810	18.6	67200	4250	15.8	8.4	73	13.0	5.90	96.65
H20R753DBE	62800	18427	5510	11.4	3.3	72890	3938	18.5	69537	4402	15.8	9.5	73	14.8	6.50	106.47
H20R813DBE	68381	20064	5967	11.5	3.4	79419	4206	18.9	75970	4731	16.1	11.0	90	17.0	6.60	108.11
H20R943DBE	78768	23111	6746	11.7	3.4	92484	4900	18.9	88237	5430	16.2	12.0	91	20.0	8.00	131.06

H70R SERIES (R407C)

50 HZ

220/240 VOLTS - 1 Phase																
H70R453ABK	37081	10880	3521	10.5	3.1	45034	2437	18.5	42418	2728	15.5	14.7	102	23.0	3.60	58.97
H70R583ABK	47522	13944	4379	10.9	3.2	57423	3035	18.9	54712	3391	16.1	19.2	140	30.0	4.70	76.99
H70R603ABK	48734	14300	4564	10.7	3.1	58904	3125	18.8	55247	3545	15.6	19.2	140	30.0	4.80	78.62
400 VOLTS - 3 Phase																
H70R453DBE	36394	10679	3450	10.5	3.1	44923	2425	18.5	42377	2730	15.5	6.4	47	10.0	3.60	58.97
H70R583DBE	46942	13774	4368	10.7	3.2	57934	3093	18.7	54597	3482	15.7	9.6	67	10.0	4.70	76.99
H70R603DBE	48556	14247	4259	11.4	3.3	59935	3260	18.4	56478	3611	15.6	9.6	67	15.0	4.90	80.26
H70R753DBE	61587	18071	5598	11.0	3.2	75131	3888	19.3	70931	4372	16.2	11.5	76	15.0	5.90	96.64
H70R813DBE	67400	19776	6065	11.1	3.3	81775	4240	19.3	77200	4775	16.2	11.0	80	17.0	6.60	108.12
H70R943DBE	77400	22710	6850	11.3	3.3	92550	4940	18.7	89900	5500	16.3	13.5	84	21.0	8.00	131.06

*Data Subject to Revision

H20R SERIES

50 HZ

Model	Oil Charge OZ L		Weight Net Ship Lbs Kg Lbs Kg				ELECTRICAL START COMPONENTS			DIMENSIONS *DIAGRAMS FOUND ON PAGE 13					
							Run Capacitor MFD/VOLTS	Start Capacitor MFD/VOLTS	G.E. Relay	A		B		C	
	IN	MM	IN	MM	IN	MM	IN	MM							
220/240 VOLTS - 1 Phase															
H20R453ABK	65	1.9	77.0	35.0	79.8	36.3	55/440	88-108/250	3ARR3*25AS*	11.7	296.2	16.6	422.3	18.2	461.4
H20R583ABK	65	1.9	84.5	38.4	89.5	40.7	55/440	88-108/250	3ARR3*25AS*	12.2	310.9	17.5	444.7	19.1	483.7
H20R603ABK	65	1.9	85.0	38.6	90.0	40.9	55/440	88-108/250	3ARR3*25AS*	12.2	310.9	17.5	444.7	19.1	483.7
220/200 VOLTS - 3 Phase															
H20R943DBL	90	2.6	97.0	44.1	102.0	46.4	-Not Req'd	-Not Req'd	-Not Req'd	13.8	349.8	19.3	489.5	20.3	516.2
400 VOLTS - 3 Phase															
H20R453DBE	70	2.1	78.0	35.5	80.8	36.7	-Not Req'd	-Not Req'd	-Not Req'd	11.7	296.2	16.6	422.3	18.2	461.4
H20R483DBE	70	2.1	79.0	35.9	81.8	37.2	-Not Req'd	-Not Req'd	-Not Req'd	11.7	296.2	16.6	422.3	18.2	461.4
H20R583DBE	76	2.2	84.5	38.4	87.3	39.7	-Not Req'd	-Not Req'd	-Not Req'd	12.2	310.9	17.5	444.7	19.1	483.7
H20R603DBE	76	2.2	85.0	38.6	87.8	39.9	-Not Req'd	-Not Req'd	-Not Req'd	12.2	310.9	17.5	444.7	19.1	483.7
H20R683DBE	80	2.3	88.0	40.0	93.0	42.3	-Not Req'd	-Not Req'd	-Not Req'd	12.3	310.8	17.5	444.5	19.1	483.6
H20R723DBE	80	2.3	88.0	40.0	93.0	42.3	-Not Req'd	-Not Req'd	-Not Req'd	12.3	310.8	17.5	444.5	19.1	483.6
H20R753DBE	80	2.4	95.0	43.2	97.8	44.5	-Not Req'd	-Not Req'd	-Not Req'd	12.3	310.9	17.5	444.7	19.1	483.7
H20R813DBE	80	2.4	95.0	43.2	100	45.5	-Not Req'd	-Not Req'd	-Not Req'd	13.8	350.0	19.0	483.4	20.1	510.1
H20R943DBE	90	2.6	97.0	44.1	102.0	46.4	-Not Req'd	-Not Req'd	-Not Req'd	13.8	349.8	19.3	489.5	20.3	516.2

H70R SERIES (R407C)

50 HZ

220/240 VOLTS - 1 Phase															
H70R453ABK	65	1.9	77.0	35.0	79.5	36.1	55/440	88-108/250	3ARR3*25AS*	11.7	296.3	16.6	422.3	18.2	461.3
H70R583ABK	65	1.9	85.0	38.6	87.5	39.7	55/440	88-108/250	3ARR3*25AS*	12.2	310.9	17.5	444.7	19.1	483.7
H70R603ABK	65	1.9	86.0	39.1	88.5	40.2	55/440	88-108/250	3ARR3*25AS*	12.2	310.9	17.5	444.7	19.1	483.7
400 VOLTS - 3 Phase															
H70R453DBE	70	2.1	78.0	35.5	81.5	37.1	-Not Req'd	-Not Req'd	-Not Req'd	11.7	296.3	16.6	422.3	18.2	461.3
H70R583DBE	76	2.2	78.5	35.7	81.0	36.8	-Not Req'd	-Not Req'd	-Not Req'd	12.2	310.9	17.5	444.7	19.1	483.7
H70R603DBE	76	2.2	78.5	35.7	81.0	36.8	-Not Req'd	-Not Req'd	-Not Req'd	12.2	310.9	17.5	444.7	19.1	483.7
H70R753DBE	80	2.4	92.0	41.8	94.5	43.0	-Not Req'd	-Not Req'd	-Not Req'd	12.2	310.9	17.5	444.7	19.1	483.7
H70R813DBE	80	2.3	95.0	43.2	100.0	45.5	-Not Req'd	-Not Req'd	-Not Req'd	13.8	350.1	19.0	482.0	20.1	509.9
H70R943DBE	90	2.6	97.0	44.1	102.0	46.4	-Not Req'd	-Not Req'd	-Not Req'd	13.8	349.8	19.3	489.5	20.3	516.2

H21R SERIES

60 HZ

Model	@45/130				@45/100			@45/110			Electrical Data RLA LRA MCC			Displacement IN ³ /REV CM ³ /REV		
	Capacity BTU/H WATTS		Motor Input WATTS	EER/COP BTU/WH W/W	Capacity BTU/H	Motor Input WATTS	EER BTU/WH	Capacity BTU/H	Motor Input WATTS	EER BTU/WH						
230/208 VOLTS - 1 Phase																
H21R453ABC	44800	13145	3950	11.3	3.3	52731	2753	19.2	50169	3116	16.1	23.4	126	36.5	3.70	60.61
H21R483ABC	48500	14231	4250	11.4	3.3	56962	2928	19.5	54088	3320	16.3	24.4	150	38.0	3.96	64.86
H21R543ABC	54100	15874	4800	11.3	3.3	63615	3312	19.2	60521	3705	16.3	26.9	175	42.0	4.30	70.43
H21R583ABC	57900	16989	5120	11.3	3.3	68509	3569	19.2	65099	4116	15.8	26.9	175	45.0	4.77	78.13
H21R603ABC	60700	17811	5390	11.3	3.3	71442	3685	19.4	67974	4209	16.1	28.9	175	45.0	4.94	80.92
230/208 VOLTS - 3 Phase																
H21R453DBY	44057	12927	3942	11.2	3.3	52103	2671	19.5	49580	3056	16.2	13.0	93	20.2	3.70	60.61
H21R483DBY	46900	13761	4300	10.9	3.2	54982	2904	18.9	49879	3347	14.9	14.1	105	22.0	3.96	64.86
H21R513DBY	49600	14554	4440	11.2	3.3	58813	3025	19.4	52646	3433	15.3	15.4	105	24.0	4.20	68.80
H21R543DBY	53619	15733	4721	11.4	3.3	63280	3261	19.4	60222	3672	16.4	16.7	115	26.0	4.50	73.71
H21R583DBY	56500	16578	5020	11.3	3.3	66946	3314	20.2	63614	3829	16.6	15.5	125	26.5	4.77	78.13
460 VOLTS - 3 Phase																
H21R483DBE	47000	13791	4230	11.1	3.3	55589	2848	19.5	52811	3259	16.2	7.4	55	11.5	3.96	64.86
H21R543DBE	53619	15733	4721	11.4	3.3	63280	3261	19.4	60222	3672	16.4	8.9	62	13.0	4.50	73.71
H21R583DBE	56600	16608	5040	11.2	3.3	67110	3422	19.6	63880	3905	16.4	8.9	67	13.9	4.77	78.13
H21R603DBE	58400	17136	5200	11.2	3.3	69028	3504	19.7	65607	3998	16.4	9.1	67	14.2	4.94	80.92
575 VOLTS - 3 Phase																
H21R583DBF	56671	16628	4967	11.4	3.3	66951	3368	19.9	63619	3824	16.6	7.1	50	11.0	4.90	80.26

H21R SERIES

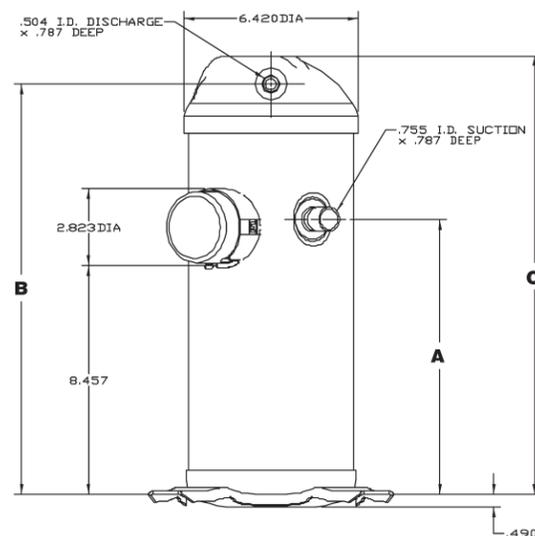
50 HZ

400 VOLTS - 3 Phase																
H21R483DBE	39900	11708	3630	11.0	3.2	47594	2415	19.7	45285	2752	16.5	7.4	55	11.5	3.96	64.86
H21R583DBE	48100	14114	4340	11.1	3.3	57541	2873	20.0	51601	3296	15.7	8.9	67	13.9	4.80	78.62
H21R603DBE	49600	14554	4440	11.2	3.3	59004	2980	19.8	56039	3882	14.4	9.1	67	14.2	5.00	81.90

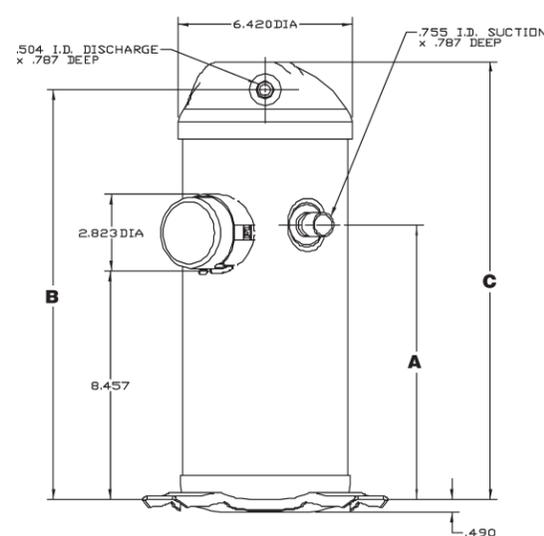
*Data Subject to Revision

C & R FAMILY

Diagrams



H20C & H70C



H21C

H21R SERIES

60 HZ

Model	Oil Charge OZ L		Weight Net Ship Lbs Kg Lbs Kg				ELECTRICAL START COMPONENTS			DIMENSIONS *DIAGRAMS FOUND ON PAGE 13					
							Run Capacitor MFD/VOLTS	Start Capacitor MFD/VOLTS	G.E. Relay	A		B		C	
										IN	MM	IN	MM	IN	MM
230/208 VOLTS - 1 Phase															
H21R453ABC	65	1.9	86.0	39.1	88.8	40.4	70/370	88-108/250	3ARR3*3L*	12.2	310.9	17.2	437.0	18.8	476.1
H21R483ABC	65	1.9	86.0	39.1	88.8	40.4	60/370	161-193/250	3ARR3*3L*	12.2	310.9	17.2	437.0	18.8	476.1
H21R543ABC	65	1.9	88.0	40.0	93.0	42.3	80/370	145-175/330	3ARR3*3P*	12.2	310.9	17.2	437.0	18.8	476.1
H21R583ABC	65	1.9	88.5	40.2	91.3	41.5	80/370	145-175/330	3ARR3*3P*	12.2	310.9	17.5	444.7	19.1	483.7
H21R603ABC	65	1.9	89.0	40.5	91.8	41.7	80/370	145-175/330	3ARR3*3P*	12.2	310.9	17.5	444.7	19.1	483.7
230/208 VOLTS - 3 Phase															
H21R453DBY	70	2.1	72.2	32.8	74.7	34.0	-Not Req'd	-Not Req'd	-Not Req'd	12.2	310.9	17.2	437.0	18.8	476.1
H21R483DBY	70	2.1	73.0	33.2	75.8	34.5	-Not Req'd	-Not Req'd	-Not Req'd	12.2	310.9	17.2	437.0	18.8	476.1
H21R513DBY	70	2.1	74.0	33.6	76.8	34.9	-Not Req'd	-Not Req'd	-Not Req'd	12.2	310.9	17.2	437.0	18.8	476.1
H21R543DBY	76	2.2	82.0	37.3	87.0	39.5	-Not Req'd	-Not Req'd	-Not Req'd	12.2	310.9	17.2	437.0	18.8	476.1
H21R583DBY	76	2.2	77.5	35.2	80.3	36.5	-Not Req'd	-Not Req'd	-Not Req'd	12.2	310.9	17.5	444.7	19.1	483.7
460 VOLTS - 3 Phase															
H21R483DBE	70	2.1	73.3	33.3	76.1	34.6	-Not Req'd	-Not Req'd	-Not Req'd	12.2	310.9	17.2	437.0	18.8	476.1
H21R543DBE	76	2.2	81.0	36.8	86.0	39.1	-Not Req'd	-Not Req'd	-Not Req'd	12.2	310.9	17.2	437.0	18.8	476.1
H21R583DBE	76	2.2	78.5	35.7	81.3	37.0	-Not Req'd	-Not Req'd	-Not Req'd	12.2	310.9	17.5	444.7	19.1	483.7
H21R603DBE	76	2.2	78.5	35.7	81.3	37.0	-Not Req'd	-Not Req'd	-Not Req'd	12.2	310.9	17.5	444.7	19.1	483.7
575 VOLTS - 3 Phase															
H21R583DBF	72	2.1	92.0	41.8	95.0	43.2	-Not Req'd	-Not Req'd	-Not Req'd	12.2	310.9	17.5	444.7	19.1	483.7

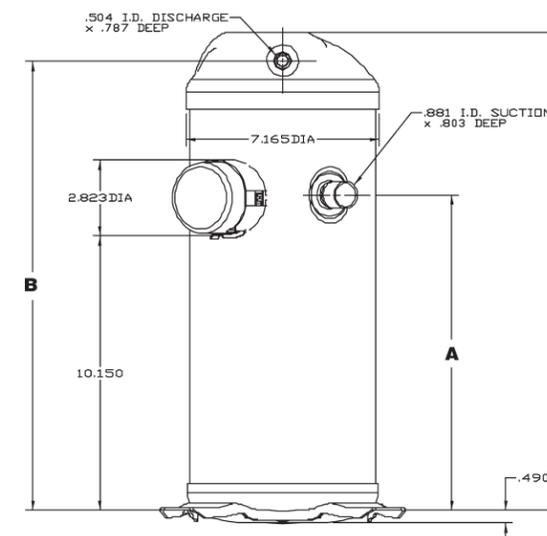
H21R SERIES

50 HZ

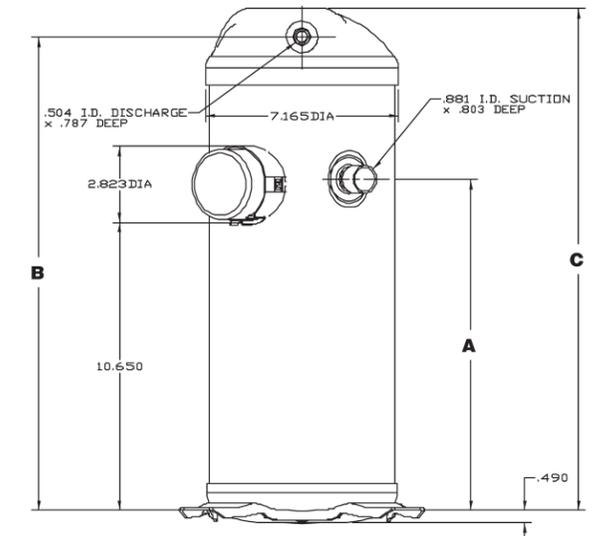
400 VOLTS - 3 Phase															
H21R483DBE	70	2.1	79.0	35.9	81.8	37.2	-Not Req'd	-Not Req'd	-Not Req'd	12.2	310.9	17.2	437.0	18.8	476.1
H21R583DBE	76	2.2	79.0	35.9	81.8	37.2	-Not Req'd	-Not Req'd	-Not Req'd	12.2	310.9	17.5	444.7	19.1	483.7
H21R603DBE	76	2.2	79.0	35.9	81.8	37.2	-Not Req'd	-Not Req'd	-Not Req'd	12.2	310.9	17.5	444.7	19.1	483.7

C & R FAMILY

Diagrams



H20R & H70R



H21R

H29B SERIES

60 HZ

Model	@45/130					@45/100			@45/110			Electrical Data RLA LRA MCC			Displacement IN/REV CM/REV	
	Capacity BTU/H WATTS		Motor Input WATTS	EER/COP BTU/WH W/W		Capacity BTU/H	Motor Input WATTS	EER BTU/WH	Capacity BTU/H	Motor Input WATTS	EER BTU/WH					
230/208 VOLTS - 1 Phase																
H29B14UABC	14200	4167	1338	10.6	3.1	19250	1096	17.6	17531	1198	14.6	6.1	48	12.0	1.72	28.12
H29B15UABC	15700	4607	1485	10.6	3.1	21524	1224	17.6	19602	1326	14.8	6.7	48	12.0	1.95	31.88
H29B16UABC	16500	4841	1540	10.7	3.1	22480	1274	17.6	20487	1376	14.9	6.8	48	14.0	1.99	32.60
H29B17UABC	17200	5047	1605	10.7	3.1	23585	1341	17.6	21455	1442	14.9	7.2	48	14.0	2.04	33.42
H29B18UABC	18100	5311	1680	10.8	3.2	24429	1379	17.7	22336	1494	15.0	7.4	48	14.0	2.14	35.06
H29B20UABC	20400	5986	1915	10.7	3.1	26916	1576	17.1	24757	1699	14.6	8.6	60	17.0	2.24	36.69
H29B22UABC	22500	6602	2105	10.7	3.1	29872	1724	17.3	27381	1862	14.7	9.6	60	18.0	2.59	42.36
H29B24UABC	24250	7115	2215	10.9	3.2	31586	1757	18.0	29080	1921	15.1	9.6	61	19.0	2.70	44.22
H29B26UABC	26470	7767	2425	10.9	3.2	34033	1909	17.8	31542	2095	15.1	10.9	68	20.0	2.76	45.21
H29B28UABC	28215	8279	2600	10.9	3.2	36230	2054	17.6	33579	2248	14.9	11.8	73	22.0	3.06	50.06
H29B30UABC	29840	8756	2725	11.0	3.2	38328	2163	17.7	35420	2358	15.0	12.4	82	23.0	3.08	50.46
H29B32UABC	31800	9331	2920	10.9	3.2	41138	2319	17.7	37984	2535	15.0	13.0	82	23.5	3.36	55.04
H29B33UABC	32910	9656	3015	10.9	3.2	42488	2389	17.8	39306	2619	15.0	13.5	82	25.0	3.50	57.34
H29B35UABC	35330	10367	3230	10.9	3.2	44728	2554	17.5	41718	2798	14.9	14.4	86	26.0	3.70	60.61
265 VOLTS - 1 Phase																
H29B17UABH	17400	5106	1630	10.7	3.1	23379	1367	17.1	21366	1455	14.7	6.2	44	12.0	1.97	32.27
H29B18UABH	18000	5282	1680	10.7	3.1	24267	1386	17.5	22154	1493	14.8	6.5	44	11.5	2.03	33.25
H29B20UABH	20800	6103	1920	10.8	3.2	27414	1573	17.4	25070	1693	14.8	7.2	58	15.0	2.24	36.69
H29B22UABH	23000	6749	2110	10.9	3.2	29864	1728	17.3	27507	1860	14.8	8.2	58	15.0	2.44	39.97
H29B28UABH	28600	8392	2590	11.0	3.2	37250	2130	17.5	34700	2304	15.1	10.4	72	18.5	3.06	50.06
H29B30UABH	30000	8803	2780	10.8	3.2	39100	2300	17.0	36420	2457	14.8	11.5	80	21.5	3.20	52.37
H29B35UABH	35500	10417	3330	10.7	3.1	44900	2760	16.3	41400	2920	14.2	13.0	90	24.0	3.70	60.61
230/200 VOLTS - 3 Phase																
H29B22UDBL	22800	6690	2040	11.2	3.3	30925	1750	17.7	28000	1879	14.9	6.5	58	12.0	2.59	42.36
H29B24UDBL	23800	6983	2210	10.8	3.2	31392	1749	17.9	28838	1916	15.1	6.5	58	13.0	2.56	41.93
H29B26UDBL	26200	7688	2430	10.8	3.2	34122	1989	17.2	31415	2143	14.7	7.8	68	13.5	2.76	45.21
H29B28UDBL	28000	8216	2580	10.9	3.2	35788	1859	19.3	33041	2263	14.6	7.8	68	13.0	2.90	47.50
H29B30UDBL	30100	8832	2750	10.9	3.2	38844	2183	17.8	35908	2384	15.1	8.5	78	15.5	3.08	50.45
H29B32UDBL	32200	9448	2950	10.9	3.2	41285	2345	17.6	38336	2559	15.0	9.0	78	16.0	3.26	53.40
H29B33UDBL	33000	9683	3091	10.7	3.1	39456	2712	15.0	42960	2490	17.0	9.5	78	16.5	3.50	57.30
H29B35UDBL	35100	10299	3250	10.8	3.2	42677	2581	16.5	41405	2842	14.6	9.6	78	16.0	3.52	57.66
460 VOLTS - 3 Phase																
H29B24UDBE	23700	6954	2190	10.8	3.2	31353	1760	17.8	28836	1929	14.9	3.4	30	6.7	2.44	39.97
H29B26UDBE	26300	7717	2440	10.8	3.2	33893	1950	17.4	31355	2135	14.7	3.9	36	7.4	2.76	45.21
H29B28UDBE	27800	8157	2570	10.8	3.2	36103	2038	17.7	33273	2233	14.9	4.1	36	7.4	2.90	47.50
H29B30UDBE	29700	8715	2740	10.8	3.2	38529	2198	17.5	35594	2393	14.9	4.1	40	8.0	3.08	50.45
H29B32UDBE	31900	9360	2964	10.8	3.2	41590	2359	17.6	38089	2565	14.8	4.5	40	8.1	3.26	53.40
H29B35UDBE	34900	10240	3260	10.7	3.1	44242	2606	17.0	41396	2828	14.6	4.9	40	8.6	3.52	57.66
460/380 VOLTS - 3 Phase																
H29B22UDBV	22700	6661	2100	10.8	3.2	29686	1731	17.1	27313	1866	14.6	3.2	30	5.7	2.44	39.97
H29B33UDBV	32800	9624	3040	10.8	3.2	41353	2435	17.0	38575	2636	14.6	4.6	40	8.1	3.34	54.71
575 VOLTS - 3 Phase																
H29B33UDBF	33100	9713	3090	10.7	3.2	43000	2490	17.3	39500	2712	14.6	3.7	32	6.4	3.50	57.30
H29B35UDBF	34200	10035	3230	10.6	3.1	42768	2568	16.7	40573	2815	14.4	3.9	32	6.3	3.52	57.66

*Data Subject to Revision

H29B SERIES

60 HZ

Model	Oil Charge OZ L		Weight Net Ship Lbs Kg Lbs Kg				ELECTRICAL START COMPONENTS			DIMENSIONS *DIAGRAMS FOUND ON PAGE 36					
							Run Capacitor MFD/VOLTS	Start Capacitor MFD/VOLTS	G.E. Relay	A		B		C	
	IN	MM	IN	MM	IN	MM	IN	MM							
230/208 VOLTS - 1 Phase															
H29B14UABC	35	1.0	59.5	27.1	63.0	28.7	30/370	161-193/250	3ARR3*3V*	11.2	285.0	13.2	336.3	13.5	343.4
H29B15UABC	35	1.0	59.5	27.1	63.0	28.7	30/370	161-193/250	3ARR3*3V*	11.2	285.0	13.2	336.3	13.5	343.4
H29B16UABC	35	1.0	59.5	27.1	63.0	28.7	30/370	161-193/250	3ARR3*3V*	11.2	285.0	13.2	336.3	13.5	343.4
H29B17UABC	35	1.0	59.5	27.1	63.0	28.7	30/370	161-193/250	3ARR3*3V*	11.2	285.0	13.2	336.3	13.5	343.4
H29B18UABC	35	1.0	59.5	27.1	63.0	28.7	30/370	161-193/250	3ARR3*3V*	11.2	285.0	13.2	336.3	13.5	343.4
H29B20UABC	35	1.0	61.0	27.8	64.5	29.3	30/370	145-175/250	3ARR3*3U*	11.2	285.0	13.2	336.3	13.5	343.4
H29B22UABC	35	1.0	61.0	27.8	64.5	29.3	30/370	145-175/250	3ARR3*3U*	11.2	285.0	13.2	336.3	13.5	343.4
H29B24UABC	35	1.0	63.5	28.9	67.0	30.5	35/370	145-175/250	3ARR3*3T*	11.7	297.7	13.8	349.0	14.0	356.1
H29B26UABC	35	1.0	63.5	28.9	67.0	30.5	35/370	145-175/250	3ARR3*3T*	11.7	297.7	13.8	349.0	14.0	356.1
H29B28UABC	35	1.0	63.5	28.9	67.0	30.5	35/370	145-175/250	3ARR3*3T*	11.7	297.7	13.8	349.0	14.0	356.1
H29B30UABC	35	1.0	68.5	31.2	72.0	32.8	40/370	145-175/250	3ARR3*3P*	12.2	310.4	14.2	361.7	14.5	368.8
H29B32UABC	35	1.0	68.5	31.2	72.0	32.8	40/370	145-175/250	3ARR3*3P*	12.2	310.4	14.2	361.7	14.5	368.8
H29B33UABC	35	1.0	68.5	31.2	72.0	32.8	40/370	145-175/250	3ARR3*3P*	12.2	310.4	14.2	361.7	14.5	368.8
H29B35UABC	40	1.2	70.0	31.8	73.5	33.4	45/370	145-175/250	3ARR3*3N*	12.2	310.4	14.2	361.7	14.5	368.8
265 VOLTS - 1 Phase															
H29B17UABH	35	1.0	61.5	28.0	64.0	29.1	25/440	145-175/250	3ARR3*10U*	11.2	285.0	13.2	336.3	13.5	343.4
H29B18UABH	35	1.0	61.5	28.0	64.0	29.1	25/440	145-175/250	3ARR3*10U	11.2	285.0	13.2	336.3	13.5	343.4
H29B20UABH	35	1.0	65.0	29.5	68.5	31.1	30/440	145-175/250	3ARR3*10S*	11.7	297.7	13.8	349.0	14.0	356.1
H29B22UABH	35	1.0	65.0	29.5	68.5	31.1	30/440	145-175/250	3ARR3*10S*	11.7	297.7	13.8	349.0	14.0	356.1
H29B28UABH	35	1.0	65.5	29.8	69.0	31.4	30/440	88/108/330	3ARR3*3L*	11.7	297.6	13.8	348.8	14.0	355.9
H29B30UABH	35	1.0	66.0	30.0	69.5	31.6	30/440	145-175/250	3ARR3*10S*	12.2	310.3	14.3	361.5	14.5	368.6
H29B35UABH	35	1.0	70.0	31.8	73.5	33.4	35/440	88-108/330	3ARR3*10S*	12.2	310.3	14.3	361.5	14.5	368.6
230/200 VOLTS - 3 Phase															
H29B22UDBL	35	1.0	59.5	27.1	63.0	28.7	-Not Req'd	-Not Req'd	-Not Req'd	11.2	285.0	13.2	336.3	13.5	343.4
H29B24UDBL	35	1.0	61.0	27.7	64.5	29.3	-Not Req'd	-Not Req'd	-Not Req'd	11.7	297.7	13.8	349.0	14.0	356.1
H29B26UDBL	35	1.0	63.0	28.6	66.5	30.2	-Not Req'd	-Not Req'd	-Not Req'd	11.7	297.7	13.8	349.0	14.0	356.1
H29B28UDBL	35	1.0	63.0	28.6	66.5	30.2	-Not Req'd	-Not Req'd	-Not Req'd	11.7	297.7	13.8	349.0	14.0	356.1
H29B30UDBL	35	1.0	67.5	30.7	71.0	32.3	-Not Req'd	-Not Req'd	-Not Req'd	12.2	310.4	14.2	361.7	14.5	368.8
H29B32UDBL	35	1.0	67.5	30.7	71.0	32.3	-Not Req'd	-Not Req'd	-Not Req'd	12.2	310.4	14.2	361.7	14.5	368.8
H29B33UDBL	35	1.0	67.0	30.5	70.5	32.1	-Not Req'd	-Not Req'd	-Not Req'd	12.2	310.4	14.2	361.7	14.5	368.8
H29B35UDBL	40	1.2	71.6	32.5	71.0	32.3	-Not Req'd	-Not Req'd	-Not Req'd	12.2	310.4	14.2	361.7	14.5	368.8
460 VOLTS - 3 Phase															
H29B24UDBE	35	1.0	61.0	27.7	64.5	29.3	-Not Req'd	-Not Req'd	-Not Req'd	11.7	297.7	13.8	349.0	14.0	356.1

H29B SERIES

50 HZ

Model	@45/130					@45/100			@45/110			Electrical Data RLA LRA MCC			Displacement IN ³ /REV CM ³ /REV	
	Capacity BTU/H WATTS		Motor Input WATTS	EER/COP BTU/WH W/W		Capacity BTU/H	Motor Input WATTS	EER BTU/WH	Capacity BTU/H	Motor Input WATTS	EER BTU/WH					
220/240 VOLTS - 1 Phase																
H29B17UABH	14800	4343	1400	10.6	3.1	19944	1117	17.9	18220	1220	14.9	6.4	42	11.0	1.97	32.33
H29B18UABH	15300	4489	1450	10.6	3.1	20508	1159	17.7	18754	1263	14.8	6.7	42	12.0	2.03	33.28
H29B20UABH	17700	5194	1630	10.9	3.2	23244	1335	17.4	21378	1416	15.1	7.6	55	12.5	2.24	36.69
H29B22UABH	19500	5722	1800	10.8	3.2	25519	1426	17.9	23453	1562	15.0	8.4	55	15.0	2.44	39.97
H29B24UABK	20500	6015	1890	10.8	3.2	26610	1490	17.9	24572	1642	15.0	8.8	56	17.0	2.56	41.93
H29B26UABK	22300	6543	2080	10.7	3.1	29765	1653	18.0	27300	1811	15.1	9.6	56	18.0	2.76	45.21
H29B28UABH	23500	6895	2190	10.7	3.2	31750	1775	17.9	29000	1926	15.1	10.5	69	17.2	3.06	50.06
H29B30UABH	25100	7365	2330	10.8	3.2	33300	1930	17.3	30170	2024	14.9	11.3	76	19.7	3.20	52.37
H29B32UABK	27500	8069	2570	10.7	3.1	35376	2216	16.0	32728	2250	14.5	12.4	76	22.0	3.26	53.40
H29B33UABK	28360	8321	2650	10.7	3.1	36501	2028	18.0	33792	2240	15.1	13.0	76	23.0	3.34	54.71
H29B35UABH	30000	8802	2816	10.7	3.1	38800	2290	16.9	36000	2475	14.5	13.4	85	23.0	3.70	60.61
220/200 VOLTS - 3 Phase																
H29B22UDBL	19500	5721	1865	10.5	3.1	26010	1490	17.5	23800	1645	14.5	6.9	60	12.0	2.59	42.36
H29B24UDBL	20200	5927	1960	10.3	3.0	27193	1578	17.2	25083	1733	14.5	6.8	60	13.1	2.56	41.93
H29B26UDBL	22650	6646	2200	10.3	3.0	28554	1705	16.7	27229	1888	14.4	8.5	72	13.5	2.76	45.21
H29B28UDBL	24400	7159	2320	10.5	3.1	31577	1816	17.4	29256	1991	14.7	8.7	72	13.7	2.90	47.50
H29B30UDBL	26100	7658	2450	10.7	3.1	33109	1930	17.2	30949	2110	14.7	9.5	82	14.3	3.08	50.45
H29B32UDBL	27800	8157	2620	10.6	3.1	35856	2047	17.5	33061	2241	14.8	9.5	82	16.0	3.26	53.40
H29B33UDBL	27840	8169	2635	10.6	3.1	33400	2283	14.6	36111	2072	17.4	9.8	82	16.8	3.50	57.30
H29B35UDBL	30500	8949	2900	10.5	3.1	37530	2262	16.6	36084	2472	14.6	10.3	82	16.8	3.52	57.66
380/415 VOLTS - 3 Phase																
H29B22UDBV	19513	5725	1866	10.5	3.1	23802	1645	14.5	26032	1492	17.4	3.3	30	6.3	2.59	42.36
H29B24UDBE	20400	5986	1940	10.5	3.1	27420	1549	17.7	25302	1714	14.8	3.4	30	6.7	2.56	41.93
H29B26UDBE	22700	6661	2160	10.5	3.1	30057	1694	17.7	27588	1865	14.8	4.1	38	7.4	2.76	45.21
H29B28UDBE	24030	7051	2280	10.5	3.1	31605	1762	17.9	29052	1952	14.9	4.2	38	7.4	2.90	47.50
H29B30UDBE	25600	7512	2400	10.7	3.1	33386	1864	17.9	30778	2047	15.0	4.4	42	8.0	3.08	50.45
H29B32UDBE	27500	8069	2600	10.6	3.1	36103	2023	17.8	33336	2222	15.0	4.7	42	8.0	3.26	53.40
H29B33UDBV	28600	8392	2680	10.7	3.1	36539	2063	17.7	33452	2285	14.6	4.8	42	8.1	3.34	54.71
H29B35UDBE	30200	8861	2820	10.7	3.1	38744	2205	17.6	35778	2445	14.6	4.9	42	9.0	3.52	57.66
500 VOLTS - 3 Phase																
H29B35UDBF	29900	8773	2880	10.4	3.0	37208	2246	16.6	35179	2448	14.4	3.9	30	6.3	3.52	57.66

*Data Subject to Revision

H29B SERIES

50 HZ

Model	Oil Charge OZ L		Weight Net Ship Lbs Kg Lbs Kg				ELECTRICAL START COMPONENTS			DIMENSIONS *DIAGRAMS FOUND ON PAGE 36					
							Run Capacitor MFD/VOLTS	Start Capacitor MFD/VOLTS	G.E. Relay	A		B		C	
	IN	MM	IN	MM	IN	MM									
220/240 VOLTS - 1 Phase															
H29B17UABH	35	1.0	61.5	28.0	64.0	29.1	30/370	88-108/330	3ARR3*10S*	11.2	285.0	13.2	336.3	13.5	343.4
H29B18UABH	35	1.0	61.5	28.0	64.0	29.1	30/370	88-108/330	3ARR3*10S*	11.2	285.0	13.2	336.3	13.5	343.4
H29B20UABH	35	1.0	65.0	29.5	68.5	31.1	30/370	88-108/330	3ARR3*10U*	11.7	297.7	13.8	349.0	14.0	356.1
H29B22UABH	35	1.0	65.0	29.5	68.5	31.1	35/370	88-108/330	3ARR3*10U*	11.7	297.7	13.8	349.0	14.0	356.1
H29B24UABK	35	1.0	67.0	30.5	70.5	32.0	35/370	145-175/250	3ARR3*10S*	11.7	297.7	13.8	349.0	14.0	356.1
H29B26UABK	35	1.0	67.0	30.5	70.5	32.0	35/370	145-175/250	3ARR3*10S*	11.7	297.7	13.8	349.0	14.0	356.1
H29B28UABH	35	1.0	65.5	29.8	69.0	31.4	40/370	145-175/250	3ARR3*3L*	11.7	297.6	13.8	348.8	14.0	355.9
H29B30UABH	35	1.0	66.0	30.0	69.5	31.6	40/370	88-108/250	3ARR3*10S*	12.2	310.3	14.3	361.5	14.5	368.6
H29B32UABK	35	1.0	69.5	31.6	73.0	33.2	40/370	145-175/250	3ARR3*10S*	12.2	310.4	14.2	361.7	14.5	368.8
H29B33UABK	35	1.0	69.5	31.6	73.0	33.2	40/370	145-175/250	3ARR3*10S*	12.2	310.4	14.2	361.7	14.5	368.8
H29B35UABH	35	1.0	70.0	31.8	73.5	33.4	45/370	88-108/250	3ARR3*10S*	12.2	310.3	14.3	361.5	14.5	368.6
220/200 VOLTS - 3 Phase															
H29B22UDBL	35	1.0	59.5	27.1	63.0	28.7	-Not Req'd	-Not Req'd	-Not Req'd	11.2	285.0	13.2	336.3	13.5	343.4
H29B24UDBL	35	1.0	61.0	27.7	64.5	29.3	-Not Req'd	-Not Req'd	-Not Req'd	11.7	297.7	13.8	349.0	14.0	356.1
H29B26UDBL	35	1.0	63.0	28.6	66.5	30.2	-Not Req'd	-Not Req'd	-Not Req'd	11.7	297.7	13.8	349.0	14.0	356.1
H29B28UDBL	35	1.0	63.0	28.6	66.5	30.2	-Not Req'd	-Not Req'd	-Not Req'd	11.7	297.7	13.8	349.0	14.0	356.1
H29B30UDBL	35	1.0	67.5	30.7	71.0	32.3	-Not Req'd	-Not Req'd	-Not Req'd	12.2	310.4	14.2	361.7	14.5	368.8
H29B32UDBL	35	1.0	67.5	30.7	71.0	32.3	-Not Req'd	-Not Req'd	-Not Req'd	12.2	310.4	14.2	361.7	14.5	368.8
H29B33UDBL	35	1.0	67.0	30.5	70.5	32.1	-Not Req'd	-Not Req'd	-Not Req'd	12.2	310.4	14.2	361.7	14.5	368.8
H29B35UDBL	40	1.2	71.6	32.5	71.0	32.3	-Not Req'd	-Not Req'd	-Not Req'd	12.2	310.4	14.2	361.7	14.5	368.8
380/415 VOLTS - 3 Phase															
H29B22UDBV	35	1.0	59.5	27.1	63.0	28.7	-Not Req'd	-Not Req'd	-Not Req'd	11.2	285.0	13.2	336.3	13.5	343.4
H29B24UDBE	35	1.0	61.0	27.7	64.5	29.3	-Not Req'd	-Not Req'd	-Not Req'd	11.7	297.7	13.8	349.0	14.0	356.1
H29B26UDBE	35	1.0	63.0	28.6	66.5	30.2	-Not Req'd	-Not Req'd	-Not Req'd	11.7	297.7	13.8	349.0	14.0	356.1
H29B28UDBE	35	1.0	63.0	28.6	66.5	30.2	-Not Req'd	-Not Req'd	-Not Req'd	11.7	297.7	13.8	349.0	14.0	356.1
H29B30UDBE	35	1.0	67.5	30.7	71.0	32.3	-Not Req'd	-Not Req'd	-Not Req'd	12.2	310.4	14.2	361.7	14.5	368.8
H29B32UDBE	35	1.0	67.5	30.7	71.0	32.3	-Not Req'd	-Not Req'd	-Not Req'd	12.2	310.4	14.2	361.7	14.5	368.8
H29B33UDBV	35	1.0	67.5	30.7	71.0	32.3	-Not Req'd	-Not Req'd	-Not Req'd	12.2	310.4	14.2	361.7	14.5	368.8
H29B35UDBE	40	1.2	71.6	32.5	71.0	32.3	-Not Req'd	-Not Req'd	-Not Req'd	12.2	310.4	14.2	361.7	14.5	368.8
500 VOLTS - 3 Phase															
H29B35UDBF	40	1.2	71.6	32.5	71.0	32.3	-Not Req'd	-Not Req'd	-Not Req'd	12.2	310.4	14.2	361.7	14.5	368.8

B FAMILY

H2EB SERIES

50 HZ

Model	@45/130				@45/100			@45/110			Electrical Data			Displacement		
	Capacity		Motor Input	EER/COP		Capacity	Motor Input	EER	Capacity	Motor Input						EER
	BTU/H	WATTS	WATTS	BTU/WH	W/W	BTU/H	WATTS	BTU/WH	BTU/H	WATTS	BTU/WH	RLA	LRA	MCC	IN ³ /REV	CM ³ /REV
240/200 VOLTS - 1 Phase																
H2EB243ABP	20550	6030	2091	9.8	2.9	26450	1717	15.4	24810	1862	13.3	11.3	78	20.0	2.84	46.59
H2EB323ABP	26500	7775	2805	9.4	2.8	33400	2377	14.1	31500	2508	12.6	15.1	95	23.0	3.64	59.68
220/240 VOLTS - 1 Phase																
H2EB243ABK	20550	6030	2203	9.3	2.7	26585	1848	14.4	24819	1970	12.6	10.4	63	16.6	2.84	46.59
H2EB263ABK	22600	6631	2450	9.2	2.7	28900	2083	13.9	26746	2188	12.2	11.6	63	17.2	3.08	50.44
H2EB283ABK	23340	6848	2554	9.1	2.7	30022	2189	13.7	27703	2278	12.2	12.6	76	22.0	3.28	53.75
H2EB293ABK	24300	7130	2700	9.0	2.6	30913	2347	13.2	28751	2443	11.8	13.5	76	22.0	3.41	55.91
H2EB323ABK	26400	7746	2907	9.1	2.7	33578	2428	13.8	31745	2605	12.2	13.3	73	21.5	3.64	59.68

H2EB SERIES

60 HZ

230/208 VOLTS - 1 Phase																
H2EB203ABC	20000	5868	2203	9.1	2.7	26400	1820	14.5	24300	1960	12.4	11.0	61	17.0	2.46	40.35
H2EB223ABC	22125	6492	2421	9.1	2.7	28191	2133	13.2	25929	2211	11.7	12.1	61	18.2	2.70	44.22
H2EB243ABC	23500	6891	2450	9.6	2.8	30800	2140	14.4	28200	2260	12.5	10.6	66	18.4	2.84	46.59
H2EB263ABC	26000	7629	2900	9.0	2.6	33770	2364	14.3	31668	2521	12.6	12.8	83	21.0	3.13	51.29
H2EB283ABC	28059	8233	3099	9.1	2.7	35680	2780	12.8	33600	2820	11.9	13.9	83	23.2	3.36	55.06

*Data Subject to Revision

H2EB SERIES

50 HZ

Model	Oil Charge		Weight				ELECTRICAL START COMPONENTS			DIMENSIONS						
							Run Capacitor	Start Capacitor	G.E. Relay	*DIAGRAMS FOUND ON PAGE 36						
	OZ	L	Lbs	Net Kg	Ship Lbs	Kg	MFD/VOLTS	MFD/VOLTS		IN	MM	IN	MM	IN	MM	
240/200 VOLTS - 1 Phase																
H2EB243ABP	40	1.2	60.5	27.5	64.0	29.1	35/440	88-108/250	3ARR3*24AP*	12.6	319.7	13.3	336.2	13.5	343.3	
H2EB323ABP	40	1.2	63.5	28.9	67.0	30.5	45/440	88-108/250	3ARR3*24AP*	13.4	338.8	13.8	348.8	14.0	356.0	
220/240 VOLTS - 1 Phase																
H2EB243ABK	40	1.2	54.5	24.8	58.0	26.4	35/370	145-175/250	3ARR3*10AT*	12.6	319.7	13.3	336.2	13.5	343.3	
H2EB263ABK	40	1.2	54.5	24.8	58.0	26.4	35/370	145-175/250	3ARR3*10AT*	12.6	319.7	13.3	336.2	13.5	343.3	
H2EB283ABK	40	1.2	61.0	27.8	64.5	29.3	40/370	88-108/250	3ARR3*24AP*	12.9	326.1	13.3	336.2	13.5	343.3	
H2EB293ABK	40	1.2	61.0	27.8	64.5	29.3	40/370	88-108/250	3ARR3*24AP*	12.9	326.1	13.3	336.2	13.5	343.3	
H2EB323ABK	40	1.2	61.0	27.8	64.5	29.3	45/370	145-175/250	3ARR3*10AT	12.9	326.1	13.3	336.2	13.5	343.3	

H2EB SERIES

60 HZ

230/208 VOLTS - 1 Phase																
H2EB203ABC	40	1.2	54.0	24.6	57.0	25.9	25/370	88-108/250	3ARR3*10S*	12.0	303.7	12.6	320.3	12.9	327.4	
H2EB223ABC	40	1.2	54.0	24.6	57.0	25.9	25/370	88-108/250	3ARR3*10S*	12.0	303.7	12.6	320.3	12.9	327.4	
H2EB243ABC	40	1.2	60.5	27.5	64.0	29.1	35/370	88-108/250	3ARR3*24AP*	12.9	326.1	13.3	336.2	13.5	343.3	
H2EB263ABC	40	1.2	61.0	27.8	64.5	29.3	35/370	145-175/250	3ARR3*24P*	12.6	319.7	13.3	336.2	13.5	343.3	
H2EB283ABC	40	1.2	59.5	27.1	63.0	28.7	45/370	145-175/250	3ARR3*3R*	12.9	326.1	13.3	336.2	13.5	343.3	

B FAMILY

H27BQ SERIES

60 HZ

Model	@45/130					@45/100					@45/110					Electrical Data			Displacement	
	Capacity		Motor Input	EER/COP		Capacity	Motor Input	EER	Capacity	Motor Input	EER	RLA	LRA	MCC	IN/REV	CM/REV				
	BTU/H	WATTS	BTU/WH	W/W	BTU/H												WATTS	BTU/WH	BTU/H	WATTS
230/208 - 1 Phase																				
H27B15QCBC	15500	4548	1410	11.0	3.2	20692	1137	18.2	18900	1235	15.3	6.2	48	11.0	1.72	28.17				
H27B17QCBC	17500	5135	1590	11.0	3.2	22994	1243	18.5	21100	1360	15.5	7.1	48	14.0	1.89	30.96				
H27B18QCBC	18400	5399	1680	11.0	3.2	24356	1306	18.6	22000	1400	15.7	7.5	48	13.2	1.97	32.27				
H27B20QCBC	20900	6133	1830	11.4	3.4	27319	1425	19.2	25300	1580	16.0	8.1	57	15.0	2.17	35.54				
H27B22QCBC	22800	6690	2000	11.4	3.3	29721	1556	19.1	27300	1720	15.9	8.9	59	17.0	2.32	38.00				
H27B24QCBC	24100	7071	2110	11.4	3.4	30977	1630	19.0	28800	1810	15.9	9.4	66	19.0	2.44	39.97				
H27B26QCBC	27000	7922	2370	11.4	3.3	34398	1813	19.0	31900	2010	15.9	10.4	66	21.0	2.70	44.23				
H27B28QCBC	28500	8363	2500	11.4	3.3	36318	1961	18.5	33600	2150	15.6	11.1	74	23.0	2.82	46.19				
H27B30QCBC	30600	8979	2680	11.4	3.4	38038	2065	18.4	35700	2270	15.7	11.7	74	23.0	2.97	48.65				
H27B32QCBC	32900	9654	2890	11.4	3.3	41000	2230	18.4	38400	2450	15.7	12.6	79	22.0	3.15	51.60				
H27B35QCBC	34900	10240	3080	11.3	3.3	44086	2395	18.4	41000	2640	15.5	13.9	90	25.0	3.34	54.71				

H26BQ SERIES

60 HZ

230/208 VOLTS - 1 Phase																
H26B15QCBC	15200	4460	1340	11.0	3.3	19739	1125	17.5	18322	1225	15.0	6.4	48	11.0	1.72	28.12
H26B17QCBC	17300	5076	1575	11.0	3.2	22580	1238	18.2	21029	1378	15.3	7	48	13.0	1.89	30.91
H26B18QCBC	18300	5370	1635	11.2	3.3	23847	1302	18.3	21912	1413	15.5	7.3	48	13.0	1.97	32.33
H26B20QCBC	20600	6044	1839	11.2	3.3	26545	1468	18.1	24564	1595	15.4	8.4	57	14.5	2.17	35.59
H26B22QCBC	22000	6455	1964	11.2	3.3	28230	1535	18.4	26208	1695	15.5	8.7	59	17.0	2.32	38.05
H26B24QCBC	24000	7042	2136	11.2	3.3	30283	1653	18.3	28364	1835	15.5	9.4	64	17.0	2.44	39.95
H26B26QCBC	27300	8010	2424	11.3	3.3	34188	1876	18.2	31862	2071	15.4	10.7	75	21.0	2.70	44.23
H26B28QCBC	28700	8421	2564	11.2	3.3	35926	1999	18.0	33517	2195	15.3	11.9	85	20.0	2.82	46.21
H26B30QCBC	30700	9008	2724	11.3	3.3	38021	2067	18.4	36261	2383	15.2	12.1	85	21.5	2.97	48.58

H25BQ SERIES

50 HZ

220/240 VOLTS - 1 Phase																
H25B17QABH	14600	4284	1365	10.7	3.1	19136	1072	17.9	17645	1177	15.0	6.2	42	12.0	1.89	30.91
H25B18QABH	15100	4431	1410	10.7	3.1	19712	1094	18.0	18184	1218	14.9	6.7	42	14.0	1.97	32.33
H25B22QABH	19700	5780	1810	10.9	3.2	25041	1403	17.8	23345	1543	15.1	8.4	55	17.0	2.32	38.05
H25B24QABH	21200	6221	1945	10.9	3.2	26538	1511	17.6	24943	1664	15.0	9.4	64	20.0	2.44	39.95
H25B26QABH	23300	6837	2140	10.9	3.2	29171	1665	17.5	27148	1822	14.9	10.4	70	20.0	2.70	44.16
H25B28QABH	25000	7336	2275	11.0	3.2	30807	1755	17.6	28741	1931	14.9	10.7	70	20.0	2.82	46.21
H25B30QABH	26500	7776	2430	10.9	3.2	32830	1892	17.4	30670	2067	14.8	11.6	76	21.0	2.97	48.58
H25B32QABH	28000	8216	2595	10.8	3.2	35023	1982	17.7	32267	2188	14.7	12.4	76	22.0	3.15	51.63
H25B35QABH	30000	8803	2780	10.8	3.2	37442	2152	17.4	34901	2349	14.9	13.4	85	23.0	3.34	54.69
220/200 VOLTS - 3 Phase																
H25B22QDBL	19900	5839	1840	10.8	3.2	24972	1462	17.1	23338	1595	14.6	6.8	60	13.0	2.32	38.05
H25B24QDBL	20900	6133	1935	10.8	3.2	26461	1503	17.6	24551	1651	14.9	6.8	60	14.0	2.44	39.95
H25B28QDBL	24800	7277	2295	10.8	3.2	31021	1816	17.1	28991	1982	14.6	8.5	72	14.5	2.82	46.21
H25B30QDBL	26200	7688	2380	11.0	3.2	32657	1851	17.6	30564	2031	15.0	8.9	82	15.0	2.96	48.48
H25B32QDBL	28000	8216	2545	11.0	3.2	34962	1953	17.9	32332	2145	15.1	9.3	82	17.0	3.15	51.63
H25B35QDBL	30000	8803	2750	10.9	3.2	37784	2160	17.5	34980	2357	14.8	9.8	82	17.0	3.34	54.69
380/415 VOLTS - 3 Phase																
H25B22QDBE	19600	5751	1815	10.8	3.2	24597	1440	17.1	22988	1571	14.6	3.3	30	6.0	2.32	38.05
H25B24QDBE	20900	6133	1935	10.8	3.2	26557	1450	18.3	24608	1615	15.2	3.4	30	6.5	2.44	39.95
H25B28QDBE	24800	7277	2295	10.8	3.2	31021	1816	17.1	28991	1982	14.6	4.0	38	7.8	2.82	46.21
H25B30QDBE	26200	7688	2380	11.0	3.2	32657	1851	17.6	30564	2031	15.0	4.2	42	8.0	2.97	48.58
H25B32QDBE	27800	8157	2525	11.0	3.2	34613	1934	17.9	32009	2123	15.1	4.6	42	9.0	3.15	51.63
H25B35QDBE	29700	8715	2730	10.9	3.2	37404	2136	17.5	34630	2333	14.8	4.9	42	9.0	3.34	54.69

*Data Subject to Revision

THE H25BQ SERIES IS BEING OBSOLETE.
THESE COMPRESSORS ARE BEING REPLACED WITH THE H29B SERIES COMPRESSORS.

H27BQ SERIES

60 HZ

Model	Oil Charge		Weight				ELECTRICAL START COMPONENTS			DIMENSIONS					
	OZ	L	Net	Ship	Kg		Run Capacitor	Start Capacitor	G.E.	*DIAGRAMS FOUND ON PAGE 36					
			Lbs	Lbs	Lbs	Kg	MFD/VOLTS	MFD/VOLTS	Relay	A	B		C		
									IN	MM	IN	MM	IN	MM	
230/208 - 1 Phase															
H27B15QCBC	35	1.0	68.5	31.1	72.0	32.7	25/370	161-193/250	3ARR3*3S*	12.2	310.7	14.8	374.4	15.0	381.5
H27B17QCBC	35	1.0	68.5	31.1	72.0	32.7	25/370	161-193/250	3ARR3*3S*	12.2	310.7	14.8	374.4	15.0	381.5
H27B18QCBC	35	1.0	68.5	31.1	72.0	32.7	25/370	161-193/250	3ARR3*3S*	12.2	310.7	14.8	374.4	15.0	381.5
H27B20QCBC	35	1.0	70.5	32.0	74.0	33.6	35/370	189-227/250	3ARR3*3N*	12.5	317.0	15.0	380.7	15.3	387.8
H27B22QCBC	35	1.0	70.5	32.0	74.0	33.6	35/370	189-227/250	3ARR3*3N*	12.5	317.0	15.0	380.7	15.3	387.8
H27B24QCBC	35	1.0	70.5	32.0	74.0	33.6	35/370	189-227/250	3ARR3*3R*	12.5	317.0	15.0	380.7	15.3	387.8
H27B26QCBC	35	1.0	70.5	32.0	74.0	33.6	35/370	189-227/250	3ARR3*3R*	12.5	317.0	15.0	380.7	15.3	387.8
H27B28QCBC	35	1.0	70.5	32.0	74.0	33.6	35/370	243-292/250	3ARR3*3U*	12.5	317.0	15.0	380.7	15.3	387.8
H27B30QCBC	35	1.0	70.5	32.0	74.0	33.6	40/370	243-292/250	3ARR3*3V*	12.5	317.0	15.0	380.7	15.3	387.8
H27B32QCBC	35	1.0	70.5	32.0	74.0	33.6	40/370	243-292/250	3ARR3*3U*	12.5	317.0	15.0	380.7	15.3	387.8
H27B35QCBC	40	1.2	70.5	32.0	74.0	33.6	45/370	243-292/250	3ARR3*3U*	12.5	317.0	15.0	380.7	15.3	387.8

H26BQ SERIES

60 HZ

230/208 VOLTS - 1 Phase															
H26B15QCBC	35	1.0	68.0	30.9	72.0	32.7	25/370	161-193/250	3ARR3*3S*	12.2	310.7	14.8	374.4	15.0	381.5
H26B17QCBC	35	1.0	68.0	30.9	72.0	32.7	25/370	161-193/250	3ARR3*3S*	12.2	310.7	14.8	374.4	15.0	381.5
H26B18QCBC	35	1.0	68.0	30.9	72.0	32.7	25/370	161-193/250	3ARR3*3S*	12.2	310.7	14.8	374.4	15.0	381.5
H26B20QCBC	35	1.0	69.5	31.6	73.5	33.4	35/370	189-227/250	3ARR3*3N*	12.5	317.2	15.0	380.7	15.3	387.8
H26B22QCBC	35	1.0	69.5	31.6	73.5	33.4	35/370	189-227/250	3ARR3*3N*	12.5	317.0	15.0	380.7	15.3	387.8
H26B24QCBC	35	1.0	69.5	31.6	73.5	33.4	35/370	189-227/250	3ARR3*3R*	12.5	317.0	15.0	380.7	15.3	387.8
H26B26QCBC	35	1.0	69.5	31.6	73.5	33.4	35/370	189-227/250	3ARR3*3P*	12.5	317.0	15.0	380.7	15.3	387.8
H26B28QCBC	35	1.0	69.5	31.6	73.5	33.4	35/370	243-292/250	3ARR3*3R*	12.5	317.0	15.0	380.7	15.3	387.8
H26B30QCBC	35	1.0	69.5	31.6	73.5	33.4	40/370	243-292/250	3ARR3*3R*	13.5	342.6	15.0	380.7	15.3	387.8

H25BQ SERIES

50 HZ

220/240 VOLTS - 1 Phase															
H25B17QABH	35	1.0	62.5	28.4	65.5	29.8	30/370	145-175/250	3ARR3*10S*	13.3	336.8	14.2	361.7	14.5	368.8
H25B18QABH	35	1.0	62.5	28.4	65.5	29.8	30/370	145-175/250	3ARR3*10S*	11.7	298.0	14.2	361		

H25BQ SERIES

60 HZ

Model	@45/130				@45/100			@45/110			Electrical Data RLA LRA MCC			Displacement IN ³ /REV CM ³ /REV		
	Capacity BTU/H WATTS	Motor Input WATTS	EER/COP BTU/WH W/W		Capacity BTU/H	Motor Input WATTS	EER BTU/WH	Capacity BTU/H	Motor Input WATTS	EER BTU/WH						
															IN	CM
230/208 VOLTS - 1 Phase																
H25B15QABC	15400	4519	1440	10.7	3.1	20801	1185	17.6	18953	1273	14.9	6.4	48	12.0	1.72	28.12
H25B17QABC	16900	4959	1580	10.7	3.1	21677	1253	17.3	20046	1357	14.8	7.0	48	14.0	1.89	30.91
H25B18QABC	18000	5282	1665	10.8	3.2	23258	1329	17.5	21609	1461	14.8	7.4	48	14.0	1.97	32.33
H25B20QABC	20600	6044	1905	10.8	3.2	26020	1509	17.2	24417	1655	14.8	8.6	60	17.0	2.17	35.59
H25B22QABC	22700	6661	2065	11.0	3.2	28591	1629	17.6	26739	1799	14.9	9.4	60	18.0	2.32	38.05
H25B24QABC	24000	7042	2180	11.0	3.2	30608	1740	17.6	28531	1908	15.0	9.6	61	20.0	2.44	39.95
H25B26QABC	26900	7893	2445	11.0	3.2	33658	1965	17.1	31486	2143	14.7	11.0	68	21.0	2.70	44.16
H25B28QABC	28300	8304	2570	11.0	3.2	36166	2076	17.4	33878	2273	14.9	11.5	73	23.0	2.82	46.21
H25B30QABC	30300	8891	2755	11.0	3.2	37905	2228	17.0	35430	2414	14.7	12.5	81	23.0	2.97	48.58
H25B32QABC	32200	9448	2925	11.0	3.2	40233	2339	17.2	37554	2513	14.9	13.0	81	23.5	3.15	51.63
H25B35QABC	35000	10270	3180	11.0	3.2	43761	2510	17.4	40700	2734	14.9	14.2	94	27.0	3.34	54.69
265 VOLTS - 1 Phase																
H25B17QABH	16900	4959	1565	10.8	3.2	21677	1253	17.3	20046	1357	14.8	6.2	44	12.0	1.89	30.96
H25B18QABH	18000	5282	1665	10.8	3.2	23258	1329	17.5	21609	1461	14.8	6.5	44	14.0	1.97	32.27
H25B22QABH	22700	6661	2065	11.0	3.2	28591	1629	17.6	26739	1799	14.9	8.0	58	16.0	2.32	38.00
H25B24QABH	24200	7101	2200	11.0	3.2	30608	1740	17.6	28531	1908	15.0	8.6	67	18.0	2.44	39.97
H25B26QABH	26900	7893	2445	11.0	3.2	33658	1965	17.1	31486	2143	14.7	9.8	72	20.0	2.70	44.23
H25B28QABH	28500	8363	2590	11.0	3.2	35498	2077	17.1	33269	2264	14.7	10.2	72	20.0	2.82	46.19
H25B30QABH	30300	8891	2780	10.9	3.2	37905	2228	17.0	35430	2414	14.7	11.1	80	21.0	2.97	48.65
H25B32QABH	32200	9448	2925	11.0	3.2	40527	2292	17.7	37661	2512	15.0	11.8	80	22.0	3.15	51.60
H25B35QABH	34700	10182	3155	11.0	3.2	43283	2527	17.1	40610	2745	14.8	12.4	90	23.0	3.34	54.71
230/200 VOLTS - 3 Phase																
H25B22QDBL	22700	6661	2065	11.0	3.2	28132	1634	17.2	26448	1791	14.8	6.2	58	13.5	2.32	38.05
H25B24QDBL	23800	6983	2165	11.0	3.2	29921	1682	17.8	27948	1856	15.1	6.5	58	14.0	2.44	39.95
H25B28QDBL	28200	8274	2565	11.0	3.2	35166	2043	17.2	33060	2239	14.8	7.8	68	14.5	2.82	46.21
H25B30QDBL	30000	8803	2700	11.1	3.3	37849	2122	17.8	35359	2352	15.0	8.2	78	15.0	2.97	48.58
H25B32QDBL	32000	9389	2910	11.0	3.2	40265	2294	17.6	37429	2513	14.9	8.8	78	17.0	3.15	51.63
H25B35QDBL	34300	10064	3120	11.0	3.2	43164	2492	17.3	40035	2705	14.8	9.2	78	17.0	3.34	54.69
460 VOLTS - 3 Phase																
H25B22QDBE	22700	6661	2065	11.0	3.2	28132	1634	17.2	26448	1791	14.8	3.1	30	6.0	2.32	38.05
H25B24QDBE	23800	6983	2165	11.0	3.2	29921	1682	17.8	27948	1856	15.1	3.3	30	6.5	2.44	39.95
H25B28QDBE	28200	8274	2565	11.0	3.2	35166	2043	17.2	33060	2239	14.8	3.9	36	7.8	2.82	46.21
H25B30QDBE	30000	8803	2700	11.1	3.3	37849	2122	17.8	35359	2352	15.0	4.1	40	8.5	2.97	48.58
H25B32QDBE	32000	9389	2910	11.0	3.2	40265	2294	17.6	37429	2513	14.9	4.4	40	9.0	3.15	51.63
H25B35QDBE	34300	10064	3120	11.0	3.2	43164	2492	17.3	40035	2705	14.8	4.6	40	9.0	3.34	54.69

*Data Subject to Revision

THE H25BQ SERIES IS BEING OBSOLETE.
THESE COMPRESSORS ARE BEING REPLACED WITH THE H29B SERIES COMPRESSORS.

H25BQ SERIES

60 HZ

Model	Oil Charge OZ L		Weight Net Ship Lbs Kg Lbs Kg				ELECTRICAL START COMPONENTS			DIMENSIONS *DIAGRAMS FOUND ON PAGE 36									
							Run Capacitor MFD/VOLTS	Start Capacitor MFD/VOLTS	G.E. Relay	A		B		C					
															IN	MM	IN	MM	IN
230/208 VOLTS - 1 Phase																			
H25B15QABC	35	1.0	60.3	27.4	63.3	28.8	30/370	161-193/250	3ARR3*3V*	11.2	285.3	13.8	349.0	14.0	356.1				
H25B17QABC	35	1.0	60.3	27.4	63.3	28.8	30/370	161-193/250	3ARR3*3V*	11.2	285.3	13.8	349.0	14.0	356.1				
H25B18QABC	35	1.0	60.3	27.4	63.3	28.8	30/370	161-193/250	3ARR3*3V*	11.2	285.3	13.8	349.0	14.0	356.1				
H25B20QABC	35	1.0	62.5	28.4	65.5	29.8	30/370	145-175/250	3ARR3*3U*	11.7	298.0	14.2	361.7	14.5	368.8				
H25B22QABC	35	1.0	62.5	28.4	65.5	29.8	30/370	145-175/250	3ARR3*3U	11.7	298.0	14.2	361.7	14.5	368.8				
H25B24QABC	35	1.0	64.0	29.1	67.0	30.5	35/370	145-175/250	3ARR3*3T*	11.7	298.0	14.2	361.7	14.5	368.8				
H25B26QABC	35	1.0	64.0	29.1	67.0	30.5	35/370	145-175/250	3ARR3*3S*	11.7	298.0	14.2	361.7	14.5	368.8				
H25B28QABC	35	1.0	64.0	29.1	67.0	30.5	35/370	145-175/250	3ARR3*3T*	11.7	298.0	14.2	361.7	14.5	368.8				
H25B30QABC	35	1.0	66.0	30.0	69.0	31.4	40/370	145-175/250	3ARR3*3P*	12.2	310.7	14.8	374.4	15.0	381.5				
H25B32QABC	35	1.0	66.0	30.0	69.0	31.4	40/370	145-175/250	3ARR3*3P*	12.2	310.7	14.8	374.4	15.0	381.5				
H25B35QABC	40	1.2	68.0	30.9	71.3	32.4	45/370	145-175/250	3ARR3*3N*	12.2	310.7	14.8	374.4	15.0	381.5				
265 VOLTS - 1 Phase																			
H25B17QABH	35	1.0	62.5	28.4	66.0	30.0	25/440	88-108/330	3ARR3*10U*	13.3	336.8	14.2	361.7	14.5	368.8				
H25B18QABH	35	1.0	62.5	28.4	66.0	30.0	25/440	88-108/330	3ARR3*10U*	11.7	298.0	14.2	361.7	14.5	368.8				
H25B22QABH	35	1.0	64.0	29.1	67.5	30.7	35/370	145-175/250	3ARR3*10U*	11.7	298.0	14.2	361.7	14.5	368.8				
H25B24QABH	35	1.0	64.0	29.1	67.5	30.7	30/440	88-108/330	3ARR3*10S*	11.7	298.0	14.2	361.7	14.5	368.8				
H25B26QABH	35	1.0	65.8	29.9	69.3	31.5	30/440	88-108/330	3ARR3*10S*	12.2	310.7	14.8	374.4	15.0	381.5				
H25B28QABH	35	1.0	65.8	29.9	69.3	31.5	40/370	145-175/250	3ARR3*3L*	12.2	310.7	14.8	374.4	15.0	381.5				
H25B30QABH	35	1.0	68.0	30.9	71.5	32.5	30/440	88-108/330	3ARR3*10S*	12.2	310.7	14.8	374.4	15.0	381.5				
H25B32QABH	35	1.0	68.0	30.9	71.5	32.5	30/440	88-108/330	3ARR3*10S*	12.2	310.7	14.8	374.4	15.0	381.5				
H25B35QABH	40	1.2	69.5	31.6	73.0	33.2	35/440	88-108/330	3ARR3*10S*	12.5	317.0	15.0	380.7	15.3	387.8				
230/200 VOLTS - 3 Phase																			
H25B22QDBL	35	1.0	61.0	27.7	64.0	29.1	-Not Req'd	-Not Req'd	-Not Req'd	11.7	298.0	14.2	361.7	14.5	368.8				
H25B24QDBL	35	1.0	61.0	27.7	64.0	29.1	-Not Req'd	-Not Req'd	-Not Req'd	11.8	298.2	14.2	361.7	14.5	368.8				
H25B28QDBL	35	1.0	62.5	28.4	65.5	29.8	-Not Req'd	-Not Req'd	-Not Req'd	11.7	298.0	14.2	361.7	14.5	368.8				
H25B30QDBL	35	1.0	66.5	30.2	69.5	31.6	-Not Req'd	-Not Req'd	-Not Req'd	12.2	310.7	14.8	374.4	15.0	381.5				
H25B32QDBL	35	1.0	66.5	30.2	69.5	31.6	-Not Req'd	-Not Req'd	-Not Req'd	12.2	310.7	14.8	374.4	15.0	381.5				
H25B35QDBL	40	1.2	66.5	30.2	69.8	31.7	-Not Req'd	-Not Req'd	-Not Req'd	12.2	310.7	14.8	374.4	15.0	381.5				
460 VOLTS - 3 Phase																			
H25B22QDBE	35	1.0	61.0	27.7	64.0	29.1	-Not Req'd	-Not Req'd	-Not Req'd	11.7	298.0	14.2	361.7	14.5	368.8				
H25B24QDBE	35	1.0	61.0	27.7	64.0	29.1	-Not Req'd	-Not Req'd	-Not Req'd	11.7	298.0	14.2	361.7	14.5	368.8				
H25B28QDBE	35	1.0	62.5	28.4	65.5	29.8	-Not Req'd	-Not Req'd	-Not Req'd	11.7	298.0	14.2	361.7	14.5	368.8				
H25B30QDBE	35	1.0	66.5	30.2	69.5	31.6	-Not Req'd	-Not Req'd	-Not Req'd	12.2	310.7	14.8	374.4	15.0	381.5				
H25B32QDBE	35	1.0	66.5	30.2	69.5	31.6	-Not Req'd	-Not Req'd	-Not Req'd	12.2	310.7	14.8	374.4	15.0	381.5				
H25B35QDBE	40	1.2	66.5	30.2	69.8	31.7	-Not Req'd	-Not Req'd	-Not Req'd	12.2	310.7	14.8	374.4	15.0	381.5				

THE H25BQ SERIES IS BEING OBSOLETE.
THESE COMPRESSORS ARE BEING REPLACED WITH THE H29B SERIES COMPRESSORS.

H24BQ SERIES

60 HZ

Model	@45/130					@45/100			@45/110			Electrical Data RLA LRA MCC			Displacement IN ³ /REV CM ³ /REV	
	Capacity BTU/H WATTS		Motor Input WATTS	EER/COP BTU/WH W/W		Capacity BTU/H	Motor Input WATTS	EER BTU/WH	Capacity BTU/H	Motor Input WATTS	EER BTU/WH					
230/208 VOLTS - 1 Phase																
H24B13QABC	12600	3697	1570	8.0	2.4	17172	1304	13.2	15476	1396	11.1	8.6	40	13.0	1.60	26.21
H24B15QABC	14700	4313	1800	8.2	2.4	20074	1523	13.2	18273	1632	11.2	9.3	45	13.4	1.84	30.14
H24B17QABC	16550	4856	2010	8.2	2.4	22494	1676	13.4	20514	1810	11.3	9.8	45	14.7	1.98	32.43
H24B19QABC	18900	5546	2180	8.7	2.5	24920	1765	14.1	22888	1920	11.9	13.0	53	14.7	2.26	37.02
H24B20QABC	19400	5692	2285	8.5	2.5	25728	1781	14.4	23630	1938	12.2	10.4	53	16.4	2.26	37.02
H24B21QABC	20200	5927	2270	8.9	2.6	27033	1870	14.5	24728	2013	9.7	10.7	53	18.0	2.40	39.31
H24B22QABC	21800	6397	2460	8.9	2.6	28954	2070	14.0	26439	2200	12.0	12.0	61	18.5	2.53	41.44
H24B24QABC	23200	6807	2610	8.9	2.6	29833	2145	13.9	27652	2325	11.9	12.0	68	18.0	2.69	44.06
H24B26QABC	25800	7570	2890	8.9	2.6	33095	2412	13.7	30767	2573	12.0	13.4	70	21.4	2.97	48.65
H24B28QABC	27350	8025	3080	8.9	2.6	34977	2571	13.6	32488	2754	11.8	14.4	79	21.8	3.15	51.60
H24B29QABC	29000	8509	3270	8.9	2.6	37360	2690	13.9	34444	2906	11.9	16.0	88	26.0	3.29	53.89
H24B31QABC	30000	8803	3420	8.8	2.6	38561	2860	13.5	35561	3055	11.6	16.3	88	27.0	3.42	56.02
265 VOLTS - 1 Phase																
H24B15QABH	14700	4313	1770	8.3	2.4	20160	1498	13.5	18351	1604	11.4	7.1	43	13.3	1.84	30.14
H24B17QABH	17150	5032	1970	8.7	2.6	23266	1674	13.9	20726	1792	11.6	7.1	43	13.3	1.98	32.43
H24B19QABH	18900	5546	2100	9.0	2.6	24248	1730	14.0	22163	1854	12.0	9.0	47	15.5	2.12	34.73
H24B22QABH	22300	6543	2430	9.2	2.7	28961	2075	14.0	26457	2211	12.0	10.6	57	17.3	2.53	41.44
H24B24QABH	23750	6969	2560	9.3	2.7	29833	2104	14.2	27652	2281	12.1	11.0	60	18.4	2.69	44.06
H24B26QABH	26400	7746	2810	9.4	2.8	33095	2349	14.1	30767	2505	12.3	12.4	66	17.3	2.97	48.65
H24B28QABH	28250	8289	3020	9.4	2.7	35146	2514	14.0	32644	2692	12.1	12.9	77	21.2	3.15	51.60

H24BQSERIES

50 HZ

220/240 - 1 Phase																
H24B15QABH	12500	3668	1500	8.3	2.4	17142	1269	13.5	15604	1359	11.5	7.5	43	12.3	1.84	30.14
H24B17QABH	13800	4049	1630	8.5	2.5	19297	1377	14.0	17191	1474	11.7	8.6	43	13.6	1.98	32.43
H24B19QABK	15300	4489	1800	8.5	2.5	20409	1483	13.8	18655	1589	11.7	9.2	47	14.0	2.12	34.73
H24B20QABK	16600	4871	1870	8.9	2.6	21765	1545	14.1	20057	1659	12.1	9.4	51	14.2	2.26	37.02
H24B22QABH	18200	5340	2065	8.8	2.6	23752	1704	13.9	21698	1816	11.9	10.6	52	17.3	2.53	41.44
H24B24QABH	19900	5839	2190	9.1	2.7	25625	1800	14.2	23751	1951	12.2	10.3	60	17.8	2.69	44.06
H24B26QABH	21600	6338	2380	9.1	2.7	27745	1990	13.9	25793	2122	12.2	12.4	66	17.3	2.97	48.65
H24B28QABH	23300	6837	2550	9.1	2.7	29997	2123	14.1	27862	2274	12.3	13.5	75	20.0	3.15	51.60
H24B29QABK	24250	7115	2700	9.0	2.6	31241	2216	14.1	28803	2394	12.0	13.3	75	22.0	3.29	53.89
H24B31QABK	25800	7570	2830	9.1	2.7	33161	2366	14.0	30581	2528	12.1	13.3	72	22.0	3.42	56.02
230/208 - 1 Phase																
H24B15QABJ	12500	3668	1500	8.3	2.4	17142	1269	13.5	15604	1359	11.5	7.5	43	12.3	1.84	30.14
H24B17QABJ	14100	4137	1640	8.6	2.5	19019	1353	14.1	17355	1451	12.0	8.6	47	14.0	1.98	32.43
H24B19QABJ	15500	4548	1780	8.7	2.6	20677	1466	14.1	18899	1572	12.0	9.1	50	15.5	2.12	34.73
H24B22QABJ	17800	5223	2020	8.8	2.6	23752	1704	13.9	21698	1816	11.9	10.2	52	18.0	2.53	41.44
H24B24QABJ	19350	5678	2170	8.9	2.6	25019	1787	14.0	23243	1938	12.0	11.8	63	20.0	2.69	44.06

*Data Subject to Revision

THE H24BQ SERIES IS BEING OBSOLETE.
THESE COMPRESSORS ARE BEING REPLACED WITH THE H2EB SERIES COMPRESSORS.

H24BQ SERIES

60 HZ

Model	Oil Charge OZ L		Weight Net Ship Lbs Kg Lbs Kg				ELECTRICAL START COMPONENTS			DIMENSIONS *DIAGRAMS FOUND ON PAGE 36					
							Run Capacitor MFD/VOLTS	Start Capacitor MFD/VOLTS	G.E. Relay	A		B		C	
	IN	MM	IN	MM	IN	MM									
230/208 VOLTS - 1 Phase															
H24B13QABC	40	1.2	50	22.7	53.5	24.3	15/370	88-108/250	3ARR3*3U*	10.5	266.5	12.2	310.9	12.5	318.0
H24B15QABC	40	1.2	51	23.2	54.5	24.8	20/370	88-108/250	3ARR3*3U*	10.5	266.5	12.2	310.9	12.5	318.0
H24B17QABC	40	1.2	51	23.2	54.5	24.8	25/370	88-108-250	3ARR3*3U*	10.5	266.5	12.2	310.9	12.5	318.0
H24B19QABC	40	1.2	53	24.1	56.0	25.5	25/370	88-108/250	3ARR3*3U*	10.5	266.5	12.2	310.9	12.5	318.0
H24B20QABC	40	1.2	53	24.1	56.0	25.5	25/370	88-108/250	3ARR3*3T*	10.6	269.8	12.6	320.5	12.9	327.7
H24B21QABC	40	1.2	55	25.0	58.5	26.6	25/370	88-108/250	3ARR3*3P*	10.6	269.8	12.6	320.5	12.9	327.7
H24B22QABC	40	1.2	56	25.5	59.5	27.0	25/370	88-108/250	3ARR3*3P*	10.6	269.8	12.6	320.5	12.9	327.7
H24B24QABC	40	1.2	59	26.8	62.5	28.4	35/370	88-108/250	3ARR3*3P*	11.2	283.2	13.2	336.3	13.5	343.4
H24B26QABC	40	1.2	60	27.3	63.5	28.9	35/370	88-108/250	3ARR3*3P*	11.2	283.2	13.2	336.3	13.5	343.4
H24B28QABC	40	1.2	61	27.7	64.5	29.3	35/370	88-108/250	3ARR3*3P*	11.2	283.2	13.2	336.3	13.5	343.4
H24B29QABC	40	1.2	61	27.7	64.5	29.3	40/370	88-108/250	3ARR3*3P*	11.2	283.2	13.2	336.3	13.5	343.4
H24B31QABC	40	1.2	62	28.2	65.5	29.8	45/370	88-108/250	3ARR3*3P*	11.2	283.2	13.2	336.3	13.5	343.4
265 VOLTS - 1 Phase															
H24B15QABH	40	1.2	53	24.1	56.5	25.7	20/440	88-108/250	3ARR3*10A*	10.5	266.5	12.2	310.9	12.5	318.0
H24B17QABH	40	1.2	51	23.2	54.5	24.8	20/440	88-10/250	3ARR3*10A*	11.1	282.5	10.5	266.5	12.2	310.9
H24B19QABH	40	1.2	53	24.1	56.0	25.5	25/440	88-108/330	3ARR3*6A*	10.5	266.5	12.2	310.9	12.5	318.0
H24B22QABH	40	1.2	56	25.5	59.5	27.0	25/440	88-108/330	3ARR3*25U*	10.6	269.8	12.6	320.5	12.9	327.7
H24B24QABH	40	1.2	59	26.8	62.5	28.4	25/440	88-108/330	3ARR3*25U*	10.6	269.8	12.6	320.5	12.9	327.7
H24B26QABH	40	1.2	60	27.3	63.5	28.9	25/440	88-108/330	3ARR3*10T*	11.2	283.2	13.2	336.3	13.5	343.4
H24B28QABH	40	1.2	61	27.7	64.5	29.3	40/370	88-108/250	3ARR3*25AS*	11.2	283.2	13.2	336.3	13.5	343.4

H24BQ SERIES

50 HZ

220/240 VOLTS - 1 Phase															
H24B15QABH	40	1.2	53	24.1	56.5	25.7	20/370	88-108/250	3ARR3*10AT*	10.5	266.5	12.2	310.9	12.5	318.0
H24B17QABH	40	1.2	53	24.1	56.5	25.7	25/370	88-108/250	3ARR3*10AT*	10.5	266.5	12.2	310.9	12.5	318.0
H24B19QABK	40	1.2	54	24.5	57.5	26.1	25/370	88-108/330	3ARR3*25AS*	10.5	266.5	12.2	310.9	12.5	318.0
H24B20QABK	40	1.2	54	24.5	57.5	26.1	25/370	88-108/250	3ARR3*6AW*	10.6	269.8	12.6	320.5	12.9	327.7
H24B22QABH	40	1.2	56	25.5	59.5	27.0	30/370	88-108/250	3ARR3*25AS*	10.6	269.8	12.6	320.5	12.9	327.7
H24B24QABH	40	1.2	56	25.5	59.5	27.0	35/370	88-108/250	3ARR3*25AS*	10.6	269.8	12.6	320.5	12.9	327.7
H24B26QABH	40	1.2	59	26.8	62.5	28.4	35/370	88-108/250	3ARR3*25AS*	11.2	283.2	13.2	336.3	13.5	343.4
H24B28QABH	40	1.2	61	27.7	64.5	29.3	40/370	88-108/250	3ARR3*25AS*	11.2	283.2	13.2	336.3	13.5	343.4
H24B29QABK	40	1.2	61	27.7	64.5	29.3	40/370	88-108/250	3ARR3*24AP*	11.2	283.2	13.2	336.3	13.5	343.4
H24B31QABK	40	1.2	62	28.2	65.5	29.8	45/370	88-108/250	3ARR3*25AS*	11.2	283.2	13.2	336.3	13.5	343.4
230/208 VOLTS - 1 Phase															
H24B15QABJ	40	1.2	53	24.1	56.5	25.7	20/370	88-108/250	3ARR3*10AT*	10.5	266.5	12.2	310.9	12.5	318.0
H24B17QABJ	40	1.2	54	24.5	57.5	26.1	25/370	88-108/250	3ARR3*24AR*	10.5	266.5	12.2	310.9	12.5	318.0
H24B19QABJ	40	1.2	54	24.5	57.5	26.1	25/370	88-108/250	3ARR3*10AT*	10.6	269.8	12.6	320.5	12.9	327.7
H24B22QABJ	40	1.2	56	25.5	59.5	27.0	30/370	88-108/250	3ARR3*24AP*	10.6	269.8	12.6	320.5	12.	

H23B SERIES

60 HZ

Model	@45/130				@45/100			@45/110			Electrical Data RLA LRA MCC			Displacement IN ³ /REV CM ³ /REV		
	Capacity BTU/H WATTS	Motor Input WATTS	EER/COP		Capacity BTU/H	Motor Input WATTS	EER	Capacity BTU/H	Motor Input WATTS	EER						
			BTU/WH	W/W												
230/208 VOLTS - 1 Phase																
H23B153ABC	15150	4445	1535	9.9	2.9	20086	1237	16.2	14900	1520	9.8	6.7	45	14.0	1.70	27.85
H23B173ABC	16650	4885	1635	10.2	3.0	21758	1319	16.5	16700	1620	10.3	7.4	54	15.0	1.84	30.14
H23B193ABC	18300	5370	1800	10.2	3.0	24475	1487	16.5	22300	1600	13.9	8.2	57	16.0	2.03	33.25
H23B203ABC	19900	5839	1950	10.2	3.0	26442	1610	16.4	24000	1750	13.7	9.0	57	17.0	2.18	35.71
H23B223ABC	22800	6690	2205	10.3	3.0	27700	1945	14.2	29601	1776	16.7	9.7	57	18.8	2.44	39.97
H23B243ABC	24300	7130	2380	10.2	3.0	31188	1906	16.4	28900	2075	13.9	10.4	66	20.2	2.61	42.75
H23B263ABC	26600	7805	2605	10.2	3.0	34248	2073	16.5	31600	2240	14.1	11.4	70	21.5	2.82	46.19
H23B283ABC	28500	8363	2780	10.3	3.0	36166	2253	16.1	33500	2420	13.8	12.3	76	23.0	2.97	48.65
H23B303ABC	30300	8891	2990	10.1	3.0	38497	2433	15.8	35700	2605	13.7	13.3	82	24.5	3.15	51.60
H23B323ABC	32000	9389	3230	9.9	2.9	40763	2613	15.6	37800	2820	13.4	14.8	85	26.0	3.34	54.71
265 VOLTS - 1 Phase																
H23B153ABH	15100	4431	1540	9.8	2.9	20239	1246	16.2	18500	1350	13.7	6.0	42	12.0	1.70	27.85
H23B173ABH	16600	4871	1680	9.9	2.9	21999	1366	16.1	20170	1477	13.7	6.3	42	12.5	1.84	30.14
H23B223ABH	22800	6690	2250	10.1	3.0	29905	1810	16.5	27300	1960	13.9	8.7	54	16.0	2.44	39.97
H23B283ABH	28300	8304	2860	9.9	2.9	36556	2328	15.7	33700	2510	13.4	11.6	74	20.5	2.97	48.65
230/208 VOLTS - 3 Phase																
H23B223DBD	22200	6514	2260	9.8	2.9	29306	1802	16.3	26900	1970	13.7	6.8	48	12.0	2.44	39.97
H23B283DBD	28100	8245	2785	10.1	3.0	36066	2220	16.2	33400	2400	13.9	8.0	60	13.0	2.97	48.65
H23B323DBD	32150	9433	3250	9.9	2.9	40888	2608	15.7	37600	2830	13.3	9.6	67	16.0	3.34	54.71
460 VOLTS - 3 Phase																
H23B223DBE	22200	6514	2260	9.8	2.9	29306	1802	16.3	26900	1970	13.7	3.5	24	6.0	2.44	39.97
H23B283DBE	28100	8245	2785	10.1	3.0	36066	2220	16.2	33400	2400	13.9	4.0	30	6.5	2.97	48.65
H23B323DBE	32000	9389	3320	9.6	2.8	40784	2629	15.5	37700	2840	13.3	5.0	34	9.0	3.34	54.71

H23B SERIES

50 HZ

220/240 VOLTS - 1 Phase																
H23B153ABH	12600	3697	1310	9.6	2.8	16909	1053	16.1	15700	1140	13.8	6.4	40	11.5	1.70	27.85
H23B173ABH	14000	4108	1450	9.7	2.8	18553	1176	15.8	16900	1270	13.3	6.9	40	12.5	1.84	30.14
H23B193ABK	15000	4401	1530	9.8	2.9	20455	1206	17.0	18600	1330	14.0	7.3	53	13.2	2.03	33.25
H23B203ABK	16600	4871	1675	9.9	2.9	22161	1337	16.6	20300	1460	13.9	8.0	53	14.0	2.18	35.71
H23B223ABH	19200	5634	1950	9.8	2.9	25196	1569	16.1	23100	1700	13.6	9.2	53	16.0	2.44	39.97
H23B243ABK	20500	6015	2050	10.0	2.9	26864	1602	16.8	24750	1770	14.0	9.6	55	17.0	2.61	42.75
H23B263ABK	22800	6690	2280	10.0	2.9	29704	1840	16.1	27300	1980	13.8	11.2	65	18.0	2.82	46.19
H23B283ABH	24000	7042	2450	9.8	2.9	30889	1992	15.5	28500	2160	13.2	12.2	65	19.5	2.97	48.65
H23B303ABK	25700	7541	2590	9.9	2.9	33264	2046	16.3	30900	2240	13.8	12.4	68	20.0	3.15	51.60
H23B323ABK	27800	8157	2750	10.1	3.0	35394	2220	15.9	32700	2350	13.9	13.5	84	22.0	3.34	54.71
230/208 VOLTS - 1 Phase																
H23B153ABJ	13000	3814	1310	9.9	2.9	17158	1046	16.4	15700	1139	13.8	6.1	42	11.5	1.70	27.85
H23B173ABJ	14200	4167	1435	9.9	2.9	18871	1143	16.5	17300	1245	13.9	7.0	50	14.0	1.84	30.14
H23B223ABJ	18750	5502	1880	10.0	2.9	24609	1493	16.5	23000	1650	13.9	8.9	56	16.0	2.44	39.97
H23B243ABJ	20300	5956	2100	9.7	2.8	27156	1683	16.1	25100	1810	13.9	10.1	68	17.0	2.61	42.75
H23B283ABJ	24500	7189	2450	10.0	2.9	31377	1942	16.2	29000	2120	13.7	12.0	70	19.0	2.97	48.65
H23B323ABJ	28100	8245	2860	9.8	2.9	35535	2316	15.3	32700	2470	13.2	14.7	93	24.0	3.34	54.71
220/200 VOLTS - 3 Phase																
H23B223DBD	18900	5546	2000	9.4	2.8	24925	1597	15.6	22900	1750	13.1	7.5	48	12.0	2.44	39.97
H23B283DBD	23800	6983	2405	9.9	2.9	30432	1909	15.9	28100	2070	13.6	8.1	60	13.0	2.97	48.65
H23B323DBD	28000	8216	2820	9.9	2.9	35318	2252	15.7	32800	2430	13.5	9.9	67	16.0	3.34	54.71
380/415 VOLTS - 3 Phase																
H23B223DBE	18800	5516	1960	9.6	2.8	24863	1565	15.9	22700	1710	13.3	3.6	24	6.0	2.44	39.97
H23B283DBE	23800	6983	2405	9.9	2.9	30439	1906	16.0	28100	2070	13.6	4.1	30	6.5	2.97	48.65
H23B323DBE	27200	7981	2780	9.8	2.9	34919	2209	15.8	32300	2350	13.7	4.9	34	9.0	3.34	54.71

*Data Subject to Revision

H23B SERIES

60 HZ

Model	Oil Charge OZ L		Weight Net Ship Lbs Kg				ELECTRICAL START COMPONENTS			DIMENSIONS *DIAGRAMS FOUND ON PAGE 36					
							Run Capacitor MFD/VOLTS	Start Capacitor MFD/VOLTS	G.E. Relay	A		B		C	
	IN	MM	IN	MM	IN	MM									
230/208 VOLTS - 1 Phase															
H23B153ABC	40	1.2	58	26.4	61.5	28.0	25/370	88-108/250	3ARR3*3T*	12.2	310.4	12.6	320.5	12.9	327.7
H23B173ABC	40	1.2	58	26.4	61.5	28.0	25/370	88-108/250	3ARR3*3P*	12.2	310.4	12.6	320.5	12.9	327.7
H23B193ABC	40	1.2	61	27.7	64.5	29.3	25/370	88-108/250	3ARR3*10S*	12.8	324.1	13.2	336.3	13.5	343.4
H23B203ABC	40	1.2	61	27.7	64.5	29.3	25/370	88-108/250	3ARR3*10S*	12.8	324.1	13.2	336.3	13.5	343.4
H23B223ABC	40	1.2	61	27.7	64.5	29.3	30/370	88-108/250	3ARR3*10S*	12.8	324.1	13.2	336.3	13.5	343.4
H23B243ABC	40	1.2	62	28.2	65.5	29.8	35/370	88-108/250	3ARR3*24P*	12.8	324.1	13.2	336.3	13.5	343.4
H23B263ABC	40	1.2	62	28.2	65.5	29.8	35/370	88-108/250	3ARR3*3P*	12.8	324.1	13.2	336.3	13.5	343.4
H23B283ABC	40	1.2	63	28.6	66.5	30.2	35/370	88-108/250	3ARR3*10S*	12.8	324.1	13.2	336.3	13.5	343.4
H23B303ABC	40	1.2	63	28.6	66.5	30.2	40/370	88-108/250	3ARR3*24P*	12.8	324.1	13.2	336.3	13.5	343.4
H23B323ABC	40	1.2	63	28.6	66.5	30.2	40/370	88-108/250	3ARR3*24P*	12.8	324.1	13.2	336.3	13.5	343.4
265 VOLTS - 1 Phase															
H23B153ABH	40	1.2	58	26.4	61.5	28.0	20/440	88-108/330	3ARR3*10T*	12.2	310.4	12.6	320.5	12.9	327.7
H23B173ABH	40	1.2	58	26.4	61.5	28.0	25/370	88-108/330	3ARR3*10U*	12.2	310.4	12.6	320.5	13.2	335.3
H23B223ABH	40	1.2	61	27.7	64.5	29.3	25/440	88-108/330	3ARR3*25U*	12.8	324.1	13.2	336.3	13.5	343.4
H23B283ABH	40	1.2	63	28.6	66.5	30.2	30/440	88-108/330	3ARR3*10S*	12.8	324.1	13.2	336.3	13.5	343.4
230/208 VOLTS - 3 Phase															
H23B223DBD	40	1.2	56	25.5	59.5	27.0	-Not Req'd	-Not Req'd	-Not Req'd	12.2	310.4	12.6	320.5	12.9	327.7
H23B283DBD	40	1.2	61	27.7	64.5	29.3	-Not Req'd	-Not Req'd	-Not Req'd	12.8	324.1	13.2	336.3	13.5	343.4
H23B323DBD	40	1.2	61	27.7	64.5	29.3	-Not Req'd	-Not Req'd	-Not Req'd	13.0	329.4	13.2	336.3	13.5	343.4
460 VOLTS - 3 Phase															
H23B223DBE	40	1.2	56	25.5	59.5	27.0	-Not Req'd	-Not Req'd	-Not Req'd	12.2	310.4	12.6	320.5	12.9	327.7
H23B283DBE	40	1.2	61	27.7	64.5	29.3	-Not Req'd	-Not Req'd	-Not Req'd	12.8	324.1	13.2	336.3	13.5	343.4
H23B323DBE	40	1.2	61	27.7	64.5	29.3	-Not Req'd	-Not Req'd	-Not Req'd	13.0	329.4	13.2	336.3	13.5	343.4

H23B SERIES

50 HZ

220/240 VOLTS - 1 Phase															
H23B153ABH	40	1.2	58.0	26.4	61.5	28.0	25/370	88-108/250	3ARR3*10AS*	12.2	310.4	12.6	320.5	12.9	327.7
H23B173ABH	40	1.2	58.0	26.4	61.5	28.0	25/370	88-108/250	3ARR3*10AS*	12.2	310.4	12.6	320.5	12.9	327.7
H23B193ABK	40	1.2	61.0	27.7	64.5	29.3	30/370	88-108/250	3ARR3*10AS*	12.8	324.1	13.2	336.3	13.5	343.4
H23B203ABK	40	1.2	61.0	27.7	64.5	29.3	30/370	88-108/250	3ARR3*25AS*	12.8	324.1	13.2	336.3	13.5	343.4
H23B223ABH	40	1.2	61.0	27.7	64.5	29.3	30/370	88-108/250	3						

H23BQ SERIES

60 HZ

Model	@45/130					@45/100			@45/110			Electrical Data RLA LRA MCC			Displacement IN ³ /REV CM ³ /REV	
	Capacity BTU/H WATTS	Motor Input WATTS	EER/COP BTU/WH W/W		Capacity BTU/H	Motor Input WATTS	EER BTU/WH	Capacity BTU/H	Motor Input WATTS	EER BTU/WH						
230/208 VOLTS - 1 Phase																
H23B15QABC	14900	4372	1525	9.8	2.9	19547	1232	15.9	18117	1356	13.4	6.7	45	14.0	1.70	27.85
H23B17QABC	16600	4871	1700	9.8	2.9	21613	1356	15.9	19994	1495	13.4	7.6	54	15.0	1.84	30.14
H23B19QABC	17900	5252	1800	9.9	2.9	23616	1459	16.2	21711	1596	13.6	8.2	57	16.0	2.03	33.25
H23B20QABC	19700	5780	1975	10.0	2.9	25971	1609	16.1	23852	1754	13.6	9.0	57	17.0	2.18	35.71
H23B22QABC	21800	6397	2225	9.8	2.9	28537	1808	15.8	26542	1984	13.4	9.7	57	18.8	2.44	39.97
H23B24QABC	24000	7042	2450	9.8	2.9	30351	1911	15.9	28059	2141	13.1	10.9	66	20.2	2.61	42.75
H23B26QABC	26300	7717	2700	9.7	2.9	33847	2202	15.4	31295	2395	13.1	12.2	70	21.5	2.82	46.19
H23B28QABC	27800	8157	2880	9.7	2.8	35221	2350	15.0	32706	2538	12.9	12.8	76	23.0	2.97	48.65
H23B30QABC	30100	8832	3100	9.7	2.8	37406	2523	14.8	34823	2738	12.7	13.3	82	24.5	3.15	51.60
H23B32QABC	31800	9331	3350	9.5	2.8	39736	2850	13.9	37585	3028	12.4	15.3	85	26.0	3.34	54.71
265 VOLTS - 1 Phase																
H23B15QABH	15000	4401	1550	9.7	2.8	19985	1249	16.0	18264	1354	13.5	6.0	42	12.0	1.70	27.85
H23B17QABH	16600	4871	1690	9.8	2.9	21970	1374	16.0	19975	1492	13.4	6.4	42	12.5	1.84	30.14
H23B22QABH	22100	6485	2230	9.9	2.9	28834	1812	15.9	26359	1966	13.4	8.7	54	16.0	2.44	39.97
H23B28QABH	27600	8098	2875	9.6	2.8	35384	2362	15.0	32632	2549	12.8	11.7	72	20.5	2.97	48.65
230/208 VOLTS - 3 Phase																
H23B20QDBD	19500	5722	2025	9.6	2.8	25342	1643	15.4	23500	1795	13.1	6.5	48	12.0	2.18	35.71
H23B22QDBD	21550	6323	2250	9.6	2.8	28072	1817	15.4	26035	1998	13.0	6.8	48	12.0	2.44	39.97
H23B24QDBD	24000	7042	2450	9.8	2.9	30695	1991	15.4	28264	2178	13.0	7.3	60	14.0	2.61	42.75
H23B26QDBD	25700	7541	2620	9.8	2.9	32877	2132	15.4	30435	2310	13.2	7.7	60	14.0	2.82	46.19
H23B28QDBD	27500	8069	2800	9.8	2.9	34966	2258	15.5	32361	2443	13.2	8.1	60	14.0	2.97	48.65
H23B30QDBD	30000	8803	3100	9.7	2.8	36850	2572	14.3	34431	2713	12.7	9.3	67	16.0	3.15	51.60
H23B32QDBD	31500	9243	3300	9.5	2.8	39900	2686	14.9	36799	2913	12.6	9.6	67	16.0	3.34	54.71
H23B35QDBD	32700	9595	3410	9.6	2.8	41549	2776	15.0	38314	3011	12.7	9.8	68	16.0	3.46	56.67
460 VOLTS - 3 Phase																
H23B20QDBE	19500	5722	2025	9.6	2.8	26204	1572	16.7	23749	1794	13.2	3.2	24	6.0	2.18	35.71
H23B22QDBE	21850	6411	2240	9.8	2.9	29339	1727	17.0	26568	1968	13.5	3.5	24	6.0	2.44	39.97
H23B24QDBE	24000	7042	2450	9.8	2.9	30466	1954	15.6	28290	2107	13.4	3.8	30	6.5	2.61	42.75
H23B26QDBE	26300	7717	2700	9.7	2.9	33069	2163	15.3	30587	2332	13.1	4.0	30	6.5	2.82	46.19
H23B28QDBE	27800	8157	2850	9.8	2.9	34597	2279	15.2	32046	2462	13.0	4.1	30	6.5	2.97	48.65
H23B30QDBE	30100	8832	3100	9.7	2.8	37626	2503	15.0	34779	2702	12.9	4.5	34	8.5	3.15	51.60
H23B32QDBE	31800	9331	3300	9.6	2.8	39602	2702	14.7	36588	2916	12.5	5.0	34	9.0	3.34	54.71
H23B35QDBE	32500	9536	3400	9.6	2.8	41487	2794	14.8	38247	3019	12.7	4.9	36	9.0	3.46	56.67

*Data Subject to Revision

THE H23BQ SERIES IS BEING OBSOLETE.
THESE COMPRESSORS ARE BEING REPLACED WITH THE H23B SERIES COMPRESSORS.

H23BQ SERIES

60 HZ

Model	Oil Charge OZ L		Weight Net Ship Lbs Kg Lbs Kg				ELECTRICAL START COMPONENTS			DIMENSIONS *DIAGRAMS FOUND ON PAGE 36						
							Run Capacitor MFD/VOLTS	Start Capacitor MFD/VOLTS	G.E. Relay	A		B		C		
230/208 VOLTS - 1 Phase																
H23B15QABC	40	1.2	58.5	26.6	62.0	28.2	25/370	88-108/250	3ARR3*3T*	12.2	310.4	12.6	320.5	12.9	327.7	
H23B17QABC	40	1.2	60.0	27.3	63.5	28.9	25/370	88-108/250	3ARR3*3P*	12.2	310.4	12.6	320.5	12.9	327.7	
H23B19QABC	40	1.2	61.5	28.0	65.0	29.5	25/370	88-108/250	3ARR3*10S*	12.8	324.1	13.2	336.3	13.5	343.4	
H23B20QABC	40	1.2	61.5	28.0	65.0	29.5	25/370	88-108/250	3ARR3*10S*	12.8	324.1	13.2	336.3	13.5	343.4	
H23B22QABC	40	1.2	62.0	28.2	65.5	29.8	30/370	88-108/250	3ARR3*10S*	12.8	324.1	13.2	336.3	13.5	343.4	
H23B24QABC	40	1.2	62.5	28.4	66.0	30.0	35/370	88-108/250	3ARR3*24P*	12.8	324.1	13.2	336.3	13.5	343.4	
H23B26QABC	40	1.2	62.5	28.4	66.0	30.0	35/370	88-108/250	3ARR3*3P*	12.8	324.1	13.2	336.3	13.5	343.4	
H23B28QABC	40	1.2	64.0	29.1	67.5	30.7	35/370	88-108/250	3ARR3*10S*	12.8	324.1	13.2	336.3	13.5	343.4	
H23B30QABC	40	1.2	64.0	29.1	67.5	30.7	40/370	88-108/250	3ARR3*24P*	12.8	324.1	13.2	336.3	13.5	343.4	
H23B32QABC	40	1.2	64.0	29.1	67.5	30.7	40/370	88-108/250	3ARR3*24P*	13.5	342.1	13.8	349.0	14.0	356.1	
265 VOLTS - 1 Phase																
H23B15QABH	40	1.2	59.5	27.0	63.0	28.6	20/440	88-108/330	3ARR3*10T*	12.2	310.4	12.6	320.5	12.9	327.7	
H23B17QABH	40	1.2	60.0	27.3	63.5	28.9	25/370	88-108/330	3ARR3*10U*	12.2	310.4	12.6	320.5	12.9	327.7	
H23B22QABH	40	1.2	62.5	28.4	66.0	30.0	25/440	88-108/250	3ARR3*25U*	12.8	324.1	13.2	336.3	13.5	343.4	
H23B28QABH	40	1.2	64.8	29.5	68.3	31.0	30/440	88-108/330	3ARR3*10S*	12.8	324.1	13.2	336.3	13.5	343.4	
230/208 VOLTS - 3 Phase																
H23B20QDBD	40	1.2	56.5	25.7	60.0	27.3	-Not Req'd	-Not Req'd	-Not Req'd	12.2	310.4	12.6	320.5	12.9	327.7	
H23B22QDBD	40	1.2	56.5	25.7	60.0	27.3	-Not Req'd	-Not Req'd	-Not Req'd	12.2	310.4	12.6	320.5	12.9	327.7	
H23B24QDBD	40	1.2	61.0	27.7	64.5	29.3	-Not Req'd	-Not Req'd	-Not Req'd	12.2	310.4	12.6	320.5	12.9	327.7	
H23B26QDBD	40	1.2	61.0	27.7	64.5	29.3	-Not Req'd	-Not Req'd	-Not Req'd	12.8	324.1	13.2	336.3	13.5	343.4	
H23B28QDBD	40	1.2	61.0	27.7	64.5	29.3	-Not Req'd	-Not Req'd	-Not Req'd	12.8	324.1	13.2	336.3	13.5	343.4	
H23B30QDBD	40	1.2	61.0	27.7	64.5	29.3	-Not Req'd	-Not Req'd	-Not Req'd	13.0	329.4	13.2	336.3	13.5	343.4	
H23B32QDBD	40	1.2	61.0	27.7	64.5	29.3	-Not Req'd	-Not Req'd	-Not Req'd	13.0	329.4	13.2	336.3	13.5	343.4	
H23B35QDBD	40	1.2	63.0	28.6	66.5	30.2	-Not Req'd	-Not Req'd	-Not Req'd	13.2	335.8	13.5	342.6	13.8	349.7	
460 VOLTS - 3 Phase																
H23B20QDBE	40	1.2	56.5	25.7	60.0	27.3	-Not Req'd	-Not Req'd	-Not Req'd	12.2	310.4	12.6	320.5	12.9	327.7	
H23B22QDBE	40	1.2	56.5	25.7	60.0	27.3	-Not Req'd	-Not Req'd	-Not Req'd	12.2	310.4	12.6	320.5	12.9	327.7	
H23B24QDBE	40	1.2	62.5	28.4	66.0	30.0	-Not Req'd	-Not Req'd	-Not Req'd	12.8	324.1	13.2	336.3	13.5	343.4	
H23B26QDBE	40	1.2	62.5	28.4	66.0	30.0	-Not Req'd	-Not Req'd	-Not Req'd	12.8	324.1	13.2	336.3	13.5	343.4	
H23B28QDBE	40	1.2	62.5	28.4	66.0	30.0	-Not Req'd	-Not Req'd	-Not Req'd	12.8	324.1	13.2	336.3	13.8	351.0	
H23B30QDBE	40	1.2	64.0	29.1	67.5	30.7	-Not Req'd	-Not Req'd	-Not Req'd	13.0	329.4	13.2	336.3	13.5	343.4	
H23B32QDBE	40	1.2	64.0	29.1	67.5	30.7	-Not Req'd	-Not Req'd	-Not Req'd	13.0	329.4	13.2	336.3	13.5	343.4	
H23B35QDBE	40	1.2	63.0	28.6	66.5	30.2	-Not Req'd	-Not Req'd	-Not Req'd	13.2	335.8	13.5	342.6	13.8	349.7	

THE H23BQ SERIES IS BEING OBSOLETE.
THESE COMPRESSORS ARE BEING REPLACED WITH THE H23B SERIES COMPRESSORS.

H23BQ SERIES

50 HZ

Model	@45/130				@45/100			@45/110			Electrical Data RLA LRA MCC			Displacement IN/REV CM/REV		
	Capacity BTU/H	WATTS	EER/COP		Capacity BTU/H	Motor Input WATTS	EER	Capacity BTU/H	Motor Input WATTS	EER						
			BTU/WH	W/W												
220/240 VOLTS - 1 Phase																
H23B15QABH	12450	3653	1310	9.5	2.8	16729	1052	15.9	15321	1143	13.4	6.4	40	11.5	1.70	27.85
H23B17QABH	13750	4035	1440	9.5	2.8	18535	1153	16.1	16794	1252	13.4	6.4	40	12.5	1.84	30.14
H23B19QABK	15100	4431	1540	9.8	2.9	20494	1233	16.6	18529	1349	13.7	7.3	53	13.2	2.03	33.25
H23B20QABK	16560	4859	1690	9.8	2.9	22248	1342	16.6	20115	1467	13.7	8.0	53	14.0	2.18	35.71
H23B22QABH	18600	5458	1900	9.8	2.9	24430	1539	15.9	22332	1659	13.5	9.2	53	16.0	2.44	39.97
H23B24QABK	20000	5868	2050	9.8	2.9	26864	1602	16.8	24750	1770	14.0	9.6	55	17.0	2.61	42.75
H23B26QABK	22100	6485	2300	9.6	2.8	28330	1838	15.4	26277	1992	13.2	11.2	65	18.0	2.82	46.19
H23B28QABH	23450	6881	2450	9.6	2.8	30108	1978	15.2	27782	2137	13.0	12.2	65	19.5	2.97	48.65
H23B30QABK	25250	7409	2620	9.6	2.8	32251	2087	15.5	29881	2285	13.1	12.4	68	20.0	3.15	51.60
H23B32QABK	27500	8069	2800	9.8	2.9	34471	2377	14.5	32201	2534	12.7	14.0	91	23.0	3.34	54.71
H23B35QABK	28600	8392	2950	9.7	2.8	36526	2367	15.4	33889	2592	13.1	15.2	95	26.0	3.46	56.67
230/208 VOLTS - 1 Phase																
H23B15QABJ	12450	3653	1310	9.5	2.8	16661	1061	15.7	15555	1162	13.4	6.1	42	11.5	1.70	27.85
H23B17QABJ	14000	4108	1440	9.7	2.9	18303	1159	15.8	16970	1273	13.3	7.0	50	14.0	1.84	30.14
H23B19QABJ	15200	4460	1540	9.9	2.9	20494	1233	16.6	18529	1349	13.7	8.5	56	15.5	2.03	33.25
H23B22QABJ	18500	5428	1880	9.8	2.9	24359	1559	15.6	22552	1700	13.3	8.9	56	16.0	2.44	39.97
H23B24QABJ	20900	6133	2100	10.0	2.9	26680	1712	15.6	24702	1867	13.2	11.5	70	19.0	2.61	42.75
H23B28QABJ	24100	7071	2430	9.9	2.9	30446	1975	15.4	28038	2156	13.0	12.0	70	19.0	2.97	48.65
H23B30QABJ	25250	7409	2620	9.6	2.8	33061	2215	14.9	30246	2416	12.5	14.4	93	24.0	3.15	51.60
H23B32QABJ	27800	8157	2850	9.8	2.9	34820	2333	14.9	31835	2544	12.5	14.4	94	24.0	3.34	54.71
220/200 VOLTS - 3 Phase																
H23B20QDBD	16560	4859	1700	9.7	2.9	21710	1455	14.9	20170	1586	12.7	7.3	48	12.0	2.18	35.71
H23B22QDBD	18750	5502	2000	9.4	2.8	24288	1607	15.1	22487	1747	12.9	7.5	48	12.0	2.44	39.97
H23B24QDBD	20000	5868	2050	9.8	2.9	26463	1745	15.2	24441	1902	12.9	7.6	60	14.0	2.61	42.75
H23B26QDBD	22300	6543	2240	10.0	2.9	28498	1819	15.7	26362	1969	13.4	7.7	60	14.0	2.82	46.19
H23B28QDBD	24000	7042	2400	10.0	2.9	30245	1921	15.7	27993	2079	13.5	8.0	60	14.0	2.97	48.65
H23B30QDBD	25250	7409	2600	9.7	2.8	31732	2163	14.7	29869	2308	12.9	9.5	67	16.0	3.15	51.60
H23B32QDBD	27300	8010	2840	9.6	2.8	34632	2305	15.0	32057	2496	12.8	9.8	67	16.0	3.34	54.71
H23B35QDBD	28400	8333	2890	9.8	2.9	36280	2330	15.6	33572	2524	13.3	9.7	72	16.0	3.46	56.67
380/415 - 3 Phase																
H23B20QDBE	16560	4859	1700	9.7	2.9	22397	1334	16.8	20283	1520	13.3	3.2	24	6.0	2.18	35.71
H23B22QDBE	18530	5437	1920	9.7	2.8	24977	1474	16.9	22632	1683	13.4	3.4	24	6.0	2.44	39.97
H23B24QDBE	20000	5868	2050	9.8	2.9	25901	1638	15.8	24033	1766	13.6	3.8	30	6.5	2.61	42.75
H23B26QDBE	22300	6543	2240	10.0	2.9	28176	1810	15.6	26116	1950	13.4	4.0	30	6.5	2.82	46.19
H23B28QDBE	24000	7042	2400	10.0	2.9	29509	1927	15.3	27440	2079	13.2	4.1	30	6.6	2.97	48.65
H23B30QDBE	25250	7409	2600	9.7	2.8	32163	2082	15.4	29734	2245	13.2	4.8	34	9.0	3.15	51.60
H23B32QDBE	27300	8010	2840	9.6	2.8	34020	2257	15.1	31455	2433	12.9	5.0	34	9.0	3.34	54.71
H23B35QDBE	27700	8128	2870	9.7	2.8	35668	2330	15.3	32909	2517	13.1	4.9	38	9.0	3.46	56.67

*Data Subject to Revision

**THE H23BQ SERIES IS BEING OBSOLETE.
THESE COMPRESSORS ARE BEING REPLACED WITH THE H23B SERIES COMPRESSORS.**

H23BQ SERIES

50 HZ

Model	Oil Charge OZ L		Weight Net Ship Lbs Kg Lbs Kg				ELECTRICAL START COMPONENTS			DIMENSIONS *DIAGRAMS FOUND ON PAGE 36					
							Run Capacitor MFD/VOLTS	Start Capacitor MFD/VOLTS	G.E. Relay	A		B		C	
	IN	MM	IN	MM	IN	MM									
220/240 VOLTS - 1 Phase															
H23B15QABH	40	1.2	59.5	27.0	63.0	28.6	25/370	88-108/250	3ARR3*10AS*	12.2	310.4	12.6	320.5	12.9	327.7
H23B17QABH	40	1.2	60.0	27.3	63.5	28.9	25/370	88-108/250	3ARR3*10AS*	12.2	310.4	12.6	320.5	12.9	327.7
H23B19QABK	40	1.2	62.5	28.4	66.0	30.0	30/370	88-108/250	3ARR3*10AS*	12.8	324.1	13.2	336.3	13.5	343.4
H23B20QABK	40	1.2	63.0	28.6	66.5	30.2	30/370	88-108/250	3ARR3*25AS*	12.8	324.1	13.2	336.3	13.5	343.4
H23B22QABH	40	1.2	62.0	28.2	65.5	29.8	30/370	88-108/250	3ARR3*25AS*	12.8	324.1	13.2	336.3	13.5	343.4
H23B24QABK	40	1.2	62.5	28.4	66.0	30.0	35/440	88-108/250	3ARR3*10AS*	12.8	324.1	13.2	336.3	13.5	343.4
H23B26QABK	40	1.2	64.7	29.4	68.2	31.0	35/370	88-108/250	3ARR3*24AP*	12.8	324.1	13.2	336.3	13.5	343.4
H23B28QABH	40	1.2	64.8	29.5	68.3	31.0	35/370	88-108/250	3ARR3*24AP*	12.8	324.1	13.2	336.3	13.5	343.4
H23B30QABK	40	1.2	64.5	29.3	68.0	30.9	45/440	88-108/250	3ARR3*25AS*	12.8	324.1	13.2	336.3	13.5	343.4
H23B32QABK	40	1.2	64.0	29.1	67.5	30.7	45/440	88-108/250	3ARR3*25AS*	13.9	351.8	14.1	358.6	14.4	365.7
H23B35QABK	40	1.2	71.0	32.3	74.5	33.9	50/440	88-108/250	3ARR3*24R*	13.9	351.8	14.1	358.6	14.4	365.7
230/208 VOLTS - 1 Phase															
H23B15QABJ	40	1.2	62.5	28.4	66.0	30.0	25/370	88-108/250	3ARR3*10AS*	12.2	310.4	12.6	320.5	12.9	327.7
H23B17QABJ	40	1.2	62.5	28.4	66.0	30.0	25/370	88-108/250	3ARR3*3P*	12.8	324.1	13.2	336.3	13.5	343.4
H23B19QABJ	40	1.2	62.5	28.4	66.0	30.0	30/370	88-108/250	3ARR3*10AS*	12.8	324.1	13.2	336.3	13.5	343.4
H23B22QABJ	40	1.2	62.5	28.4	66.0	30.0	30/370	88-108/250	3ARR3*10AS*	12.8	324.1	13.2	336.3	13.5	343.4
H23B24QABJ	40	1.2	63.5	28.9	67.0	30.5	40/370	88-108/250	3ARR3*6AS*	13.0	329.4	13.2	336.3	13.5	343.4
H23B28QABJ	40	1.2	64.5	29.3	68.0	30.9	40/370	88-108/250	3ARR3*10AS*	13.0	329.4	13.2	336.3	13.5	343.4
H23B30QABJ	40	1.2	67.5	30.7	71.0	32.3	45/370	88-108/250	3ARR3*24AP*	13.3	336.8	13.8	349.0	14.0	356.1
H23B32QABJ	40	1.2	67.5	30.7	71.0	32.3	45/440	88-108/250	3ARR3*6AS*	14.0	354.8	14.2	361.7	14.5	368.8
220/200 VOLTS - 3 Phase															
H23B20QDBD	40	1.2	56.5	25.7	60.0	27.3	-Not Req'd	-Not Req'd	-Not Req'd	12.2	310.4	12.6	320.5	12.9	327.7
H23B22QDBD	40	1.2	56.5	25.7	60.0	27.3	-Not Req'd	-Not Req'd	-Not Req'd	12.2	310.4	12.6	320.5	12.9	327.7
H23B24QDBD	40	1.2	61.0	27.7	64.5	29.3	-Not Req'd	-Not Req'd	-Not Req'd	12.2	310.4	12.6	320.5	12.9	327.7
H23B26QDBD	40	1.2	61.0	27.7	64.5	29.3	-Not Req'd	-Not Req'd	-Not Req'd	12.8	324.1	13.2	336.3	13.5	343.4
H23B28QDBD	40	1.2	61.0	27.7	64.5	29.3	-Not Req'd	-Not Req'd	-Not Req'd	12.8	324.1	13.2	336.3	13.5	343.4
H23B30QDBD	40	1.2	61.0	27.7	64.5	29.3	-Not Req'd	-Not Req'd	-Not Req'd	13.0	329.4	13.2	336.3	13.5	343.4
H23B32QDBD	40	1.2	61.0	27.7	64.5	29.3	-Not Req'd	-Not Req'd	-Not Req'd	13.0	329.4	13.2	336.3	13.5	343.4
H23B35QDBD	40	1.2	63.0	28.6	66.5	30.2	-Not Req'd	-Not Req'd	-Not Req'd	13.2	335.8	13.5	342.6	13.8	349.7
380/415 - 3 Phase															
H23B20QDBE	40	1.2	56.5	25.7	60.0	27.3	-Not Req'd	-Not Req'd	-Not Req'd	12.2	310.4	12.6	320.5	12.9	327.7
H23B22QDBE	40	1.2	56.5	25.7	60.0	27.3	-Not Req'd	-Not Req'd	-Not Req'd	12.2	310.4	12.6	320.5	12.9	327.7
H23B24QDBE	40	1.2	62.5	28.4	66.0	30.0	-Not Req'd	-Not Req'd	-Not Req'd	12.8	324.1	13.2	336.3	13.5	343.4
H23B26QDBE	40	1.2	62.5	28.4	66.0	30.0	-Not Req'd	-Not Req'd	-Not Req'd	12.8	324.1	13.2	336.3	13.5	343.4
H23B28QDBE	40	1.2	62.5	28.4	66.0	30.0	-Not Req'd	-Not Req'd	-Not Req'd	12.8	324.1	13.2	336.3	13.5	343.4
H23B30QDBE	40	1.2	64.0	29.1	67.5	30.7	-Not Req'd	-Not Req'd	-Not Req'd	13.0	329.4	13.2	336.3	13.5	343.4
H23B32QDBE	40	1.2	64.0	29.1	67.5	30.7	-Not Req'd	-Not Req'd	-Not Req'd	13.0	329.4	13.2	336.3	13.5	343.4
H23B35QDBE	40	1.2	63.0	28.6	66.5	30.2	-Not Req'd	-Not							

H79B SERIES (R407C)

60 HZ

Model	@45/130				@45/100				@45/110			Electrical Data RLA LRA MCC			Displacement IN ³ /REV CM ³ /REV	
	Capacity BTU/H WATTS	Motor Input WATTS	EER/COP BTU/WH W/W		Capacity BTU/H	Motor Input WATTS	EER BTU/WH		Capacity BTU/H	Motor Input WATTS	EER BTU/WH					
	380/415 VOLTS - 3 Phase															
H79B28UDBE	20629	6053	2224	9.3 2.7	29004	1656	17.5		26392	1892	13.9	4.2	38	74.0	2.90	47.50

H79B SERIES (R407C)

50 HZ

220/240 VOLTS - 1 Phase																
H79B17UABH	12370	3630	1346	9.2 2.7	17991	1151	15.6	16073	1231	13.1	6.4	42	11.0	1.97	32.27	
H79B18UABH	13096	3843	1293	10.1 3.0	18734	1088	17.2	16861	1174	14.4	6.7	42	12.0	2.03	33.25	
H79B20UABH	14643	4297	1520	9.6 2.8	20973	1266	16.6	18875	1367	13.8	7.6	55	15.0	2.24	36.69	
H79B22UABH	16592	4868	1682	9.9 2.9	23011	1373	16.8	20903	1485	14.1	8.4	55	15.0	2.44	39.97	
H79B24UABK	17278	5070	1721	10.0 2.9	24327	1425	17.1	21942	1537	14.3	9.0	56	16.0	2.56	41.93	
H79B26UABK	18892	5543	1866	10.1 3.0	26678	1554	17.2	24202	1690	14.3	9.6	58	18.0	2.76	45.21	
H79B28UABK	20434	5996	2094	9.8 2.9	28502	1695	16.8	25893	1858	13.9	10.7	70	20.0	2.90	47.50	
H79B30UABK	21905	6427	2218	9.9 2.9	30493	1792	17.0	27554	1964	14.0	11.6	76	21.0	3.08	50.45	
H79B32UABK	23391	6863	2335	10.0 2.9	32415	1891	17.1	29447	2059	14.3	12.4	76	22.0	3.26	53.40	
H79B33UABK	24251	7116	2396	10.1 3.0	33222	1924	17.3	30278	2102	14.4	13.0	76	23.0	3.34	54.71	
H79B35UABK	26263	7706	2704	9.7 2.8	35113	2201	16.0	32145	2302	14.0	13.4	85	23.0	3.52	57.66	

380/415 VOLTS - 3 Phase																
H79B22UDBE	16447	4826	1663	9.9 2.9	23026	1355	17.0	20936	1461	14.3	3.3	30	6.0	2.44	39.97	
H79B24UDBE	17185	5042	1741	9.9 2.9	25018	1479	16.9	22592	1604	14.1	3.4	30	7.0	2.56	41.93	
H79B26UDBE	19204	5635	1978	9.7 2.8	26928	1593	16.9	24452	1742	14.0	4.1	38	7.0	2.76	45.21	
H79B30UDBE	22003	6456	2258	9.7 2.9	30540	1791	17.1	27692	1975	14.0	4.4	42	8.0	3.08	50.45	
H79B32UDBE	23297	6836	2385	9.8 2.9	33033	2096	15.8	29995	2243	13.4	4.7	42	8.0	3.26	53.40	
H79B33UDBE	24045	7055	2419	9.9 2.9	33264	1958	17.0	29972	2145	14.0	4.8	42	8.0	3.34	54.71	
H79B35UDBE	26008	7631	2729	9.5 2.8	36343	2161	16.8	32483	2302	14.1	5.0	42	9.0	3.52	57.66	

H73BQ SERIES (R407C)

50 HZ

220/240 VOLTS - 1 Phase																
H73B17QABH	11500	3374	1290	8.9 2.6	16568	1054	15.7	14805	1143	13.0	6.8	40	13.0	1.84	30.14	
H73B19QABK	12700	3726	1410	9.0 2.6	18018	1189	15.2	16218	1280	12.7	7.4	53	13.0	2.03	33.25	
H73B20QABK	14400	4225	1520	9.5 2.8	20353	1250	16.3	18316	1352	13.5	8.0	53	14.0	2.18	35.71	
H73B22QABH	16000	4695	1690	9.5 2.8	22911	1383	16.6	20588	1503	13.7	9.2	53	16.0	2.44	39.97	
H73B24QABK	17800	5223	1890	9.4 2.8	23949	1571	15.2	21852	1698	12.9	9.7	55	17.0	2.61	42.75	
H73B26QABK	19500	5722	2070	9.4 2.8	26422	1684	15.7	24269	1835	13.2	11.3	65	18.0	2.82	46.19	
H73B28QABH	21000	6162	2180	9.6 2.8	28315	1770	16.0	25836	1924	13.4	12.0	65	20.0	2.97	48.65	
H73B30QABK	22300	6543	2380	9.4 2.7	30220	1949	15.5	27581	2108	13.1	12.4	68	20.0	3.15	51.60	
H73B32QABK	24400	7159	2550	9.6 2.8	32529	2118	15.4	29845	2287	13.0	14.0	91	23.0	3.34	54.71	
H73B35QABK	25200	7394	2640	9.5 2.8	33034	2144	15.4	30213	2318	13.0	15.2	95	26.0	3.46	56.67	

380/415 VOLTS - 3 Phase																
H73B20QDBE	14000	4108	1480	9.5 2.8	19580	1203	16.3	17620	1302	13.5	3.2	24	6.0	2.18	35.71	
H73B22QDBE	15500	4548	1650	9.4 2.8	22040	1331	16.6	19806	1447	13.7	3.4	24	6.0	2.44	39.97	
H73B24QDBE	17300	5076	1840	9.4 2.8	24007	1474	16.3	21687	1619	13.4	3.6	30	6.0	2.61	42.75	
H73B28QDBE	20300	5956	2120	9.6 2.8	27239	1704	16.0	24854	1853	13.4	4.0	30	8.0	2.97	48.65	
H73B30QDBE	21600	6338	2320	9.3 2.7	29071	1877	15.5	26533	2030	13.1	4.6	34	8.0	3.15	51.60	
H73B32QDBE	23600	6925	2490	9.5 2.8	31293	2040	15.3	28711	2202	13.0	4.9	34	9.0	3.34	54.71	
H73B35QDBE	24400	7159	2580	9.5 2.8	21779	2065	10.5	29065	2232	13.0	4.9	38	9.0	3.46	56.67	

H79B SERIES (R407C)

60 HZ

Model	Oil Charge OZ L	Weight				ELECTRICAL START COMPONENTS			DIMENSIONS *DIAGRAMS FOUND ON PAGE 36						
		Net Lbs	Net Kg	Ship Lbs	Ship Kg	Run Capacitor MFD/VOLTS	Start Capacitor MFD/VOLTS	G.E. Relay	A		B		C		
		IN	MM	IN	MM	IN	MM	IN	MM						
220/240 VOLTS - 3 Phase															
H79B28UDBE	35	1.0	63.0	28.6	66.5	30.2	-Not Req'd	-Not Req'd	-Not Req'd	13.3	336.8	13.8	349.0	14.0	356.1

H79B SERIES (R407C)

50 HZ

220/240 VOLTS - 1 Phase																
H79B17UABH	35	1.0	61.5	28.0	64.0	29.1	30/370	145-175/250	3ARR3*10S*	12.8	324.1	13.2	336.3	13.5	343.4	
H79B18UABH	35	1.0	61.5	28.0	64.0	29.1	30/370	145-175/250	3ARR3*10S*	12.8	324.1	13.2	336.3	13.5	343.4	
H79B20UABH	35	1.0	65.0	29.5	68.5	31.1	30/370	145-175/250	3ARR3*10U*	13.3	336.8	13.8	349.0	14.0	356.1	
H79B22UABH	35	1.0	65.0	29.5	68.5	31.1	35/370	145-175/250	3ARR3*10U*	13.3	336.8	13.8	349.0	14.0	356.1	
H79B24UABK	35	1.0	67.0	30.5	70.5	32.0	35/370	145-175/250	3ARR3*10S*	13.3	336.8	13.8	349.0	14.0	356.1	
H79B26UABK	35	1.0	67.0	30.5	70.5	32.0	40/370	145-175/250	3ARR3*10S*	13.3	336.8	13.8	349.0	14.0	356.1	
H79B28UABK	35	1.0	67.0	30.5	70.5	32.0	40/370	145-175/250	3ARR3*3L*	13.3	336.8	13.8	349.0	14.0	356.1	
H79B30UABK	35	1.0	69.5	31.6	73.0	33.2	40/370	145-175/250	3ARR3*10S*	13.8	349.5	14.2	361.7	14.5	368.8	
H79B32UABK	35	1.0	69.5	31.6	73.0	33.2	40/370	145-175/250	3ARR3*10S*	13.8	349.5	14.2	361.7	14.5	368.8	
H79B33UABK	35	1.0	69.5	31.6	73.0	33.2	40/370	145-175/250	3ARR3*10S*	13.8	349.5	14.2	361.7	14.5	368.8	
H79B35UABK	35	1.0	71.5	32.5	75.0	34.1	45/370	145-175/250	3ARR3*10S*	13.8	349.5	14.2	361.7	14.5	368.8	

380/415 VOLTS - 3 Phase																
H79B22UDBE	35	1.0	60.5	27.5	64.0	29.1	-Not Req'd	-Not Req'd	-Not Req'd	12.8	324.1	13.2	336.3	13.5	343.4	
H79B24UDBE	35	1.0	61.0	27.7	64.5	29.3	-Not Req'd	-Not Req'd	-Not Req'd	13.3	336.8	13.8	349.0	14.0	356.1	
H79B26UDBE	35	1.0	63.0	28.6	66.5	30.2	-Not Req'd	-Not Req'd	-Not Req'd	13.3	336.8	13.8	349.0	14.0	356.1	
H79B30UDBE	35	1.0	67.5	30.7	71.0	32.3	-Not Req'd	-Not Req'd	-Not Req'd	14.0	354.9	14.2	361.7	14.5	368.8	
H79B32UDBE	35	1.0	67.5	30.7	71.0	32.3	-Not Req'd	-Not Req'd	-Not Req'd	13.8	349.5	14.2	361.7	14.5	368.8	
H79B33UDBE	35	1.0	67.5	30.7	71.0	32.3	-Not Req'd	-Not Req'd	-Not Req'd	13.8	349.5	14.2	361.7	14.5	368.8	
H79B35UDBE	40	1.2	67.5	30.7	71.0	32.3	-Not Req'd	-Not Req'd	-Not Req'd	13.8	349.5	14.2	361.7	14.5	368.8	

H73BQ SERIES (R407C)

50 HZ

220/240 VOLTS - 1 Phase																
H73B17QABH	40	1.2	60.0	27.3	63.5	28.9	30/370	88-108/250	3ARR3*25AS*	12.2	310.4	12.7	321.1	12.9	327.7	
H73B19QABK	40	1.2	62.5	28.4	66.0	30.0	30/370	88-108/250	3ARR3*10AS*	12.8	324.1	13.2	336.3	13.5	343.4	
H73B20QABK	40	1.2	63.0	28.6	66.5	30.2	30/370	88-108/250	3ARR3*25AS*	12.8	324.1	13.2	336.3	13.5	343.4	
H73B22QABH	40	1.2	62.5	28.4	66.0	30.0	30/370	88-108/250	3ARR3*25AS*	12.8	324.1	13.2	336.3	13.5	343.4	
H73B24QABK	40	1.2	62.0	28.2	66.5	30.2	35/440	88-108/250	3ARR3*10AS*	12.8	324.1	13.2	336.3	13.5	343.4	
H73B26QABK	40	1.2	64.7	29.4	68.2	31.0	35/370	88-108/250	3ARR3*24AP*	12.8	324.1	13.2	336.3	13.5	343.4	
H73B28QABH	40	1.2	64.8	29.5	68.3	31.0	35/370	88-108/250	3ARR3*24AP*	13.0	329.4	13.2	336.3	13.5	343.4	
H73B30QABK	40	1.2	64.5	29.3	68.0	30.9	45/440	88-108/250	3ARR3*25AS*	13.0	329.4	13.2	336.3	13.5	343.4	
H73B32QABK	40	1.2	69.5	31.6	73.0	33.2	45/440	88-108/250	3ARR3*25AS*	13.9	351.8	14.1	358.6	14.4	365.7	
H73B35QABK	40	1.2	71.0	32.3	74.5	33.9	50/440	88-108/250	3ARR3*24R*	13.9	351.8	14.1	358.6	14.4	365.7	

380/415 VOLTS - 3 Phase																
H73B20QDBE	40															

H89B SERIES (R410A)

60 HZ

Model	@45/130					@45/100			@45/110			Electrical Data RLA LRA MCC			Displacement IN ³ /REV CM ³ /REV		
	Capacity		Motor Input		EER/COP	Capacity		Motor Input		EER	Capacity						Motor Input
	BTU/H	WATTS	BTU/WH	W/W	BTU/WH	WATTS	BTU/WH	BTU/H	WATTS	BTU/WH	BTU/H	WATTS	BTU/WH	RLA	LRA	MCC	IN ³ /REV
230/208 VOLTS - 1 Phase																	
H89B153ABC	14600	4284	1580	9.2	2.7	22000	1300	16.9	19400	1410	13.8	6.9	48	13.0	1.34	21.95	
H89B163ABC	15900	4665	1670	9.5	2.8	23600	1370	17.2	20800	1500	13.9	7.4	48	13.0	1.41	23.10	
H89B183ABC	18000	5282	1870	9.6	2.8	26200	1520	17.2	23400	1650	14.2	8.2	48	14.0	1.56	25.55	
H89B193ABC	18800	5516	1960	9.6	2.8	27400	1600	17.1	24600	1750	14.1	8.8	55	15.5	1.61	26.37	
H89B223ABC	22100	6485	2280	9.7	2.8	31315	1851	16.9	28284	2022	14.0	10.1	60	17.0	1.82	29.81	
H89B243ABC	23800	6983	2440	9.8	2.9	33600	1940	17.3	30300	2130	14.2	11.0	66	19.0	1.91	31.29	
H89B283ABC	28500	8363	2920	9.8	2.9	39200	2290	17.1	35600	2530	14.1	13.5	83	23.0	2.18	35.71	
H89B303ABC	30600	8979	3080	9.9	2.9	41600	2420	17.2	37800	2660	14.2	14.0	93	25.0	2.30	37.67	
H89B323ABC	32000	9389	3240	9.9	2.9	43600	2540	17.2	39600	2790	14.2	14.8	93	25.0	2.40	39.31	
H89B343ABC	34622	10159	3464	10.0	2.9	46538	2701	17.2	42496	2985	14.2	16.2	105	28.0	2.53	41.44	
230/200 VOLTS - 3 Phase																	
H89B183DBL	17850	5237	1880	9.5	2.8	26250	1540	17.0	23319	1667	14.0	6.1	58	10.0	1.56	25.47	
H89B243DBL	23900	7012	2425	9.9	2.9	33700	1940	17.4	30360	2100	14.5	7.2	58	14.0	1.91	31.29	
H89B283DBL	28425	8340	2860	9.9	2.9	39150	2250	17.4	35535	2480	14.3	8.7	78	15.6	2.18	35.71	
265 VOLTS - 1 Phase																	
H89B223ABH	22050	6470	2310	9.5	2.8	31670	1840	17.2	28360	2040	13.9	8.7	58	15.0	1.82	29.81	
H89B283ABH	28620	8398	2940	9.7	2.9	39270	2300	17.1	35680	2530	14.1	11.6	79	18.0	2.18	35.71	
H89B293ABH	29300	8597	3000	9.8	2.9	40100	2350	17.1	36500	2590	14.1	11.8	79	20.0	2.23	36.53	
H89B323ABH	32280	9471	3300	9.8	2.9	43850	2615	16.8	39950	2863	14.0	13.5	87	23.5	2.40	39.37	
H89B343ABH	34400	10094	3450	10.0	2.9	46400	2720	17.1	42400	2970	14.3	13.9	88	27.0	2.26	37.02	
460/380 VOLTS - 3 Phase																	
H89B183DBV	17850	5237	1880	9.5	2.8	26250	1540	17.0	23350	1667	14.0	3.0	30	5.5	1.56	25.47	
H89B203DBV	20100	5898	2070	9.7	2.9	29100	1680	17.3	26100	1837	14.2	3.4	30	5.9	1.68	27.55	
H89B243DBV	23900	7012	2425	9.9	2.9	33700	1940	17.4	30360	2100	14.5	3.6	30	7.0	1.91	31.29	
H89B283DBV	28425	8340	2860	9.9	2.9	39150	2250	17.4	35535	2480	14.3	4.3	40	8.4	2.18	35.71	
H89B303DBV	30450	8934	3050	10.0	2.9	42250	2420	17.5	38000	2660	14.3	4.6	40	9.0	2.30	37.63	
H89B343DBV	33750	9903	3415	9.9	2.9	46000	2715	16.9	41800	2980	14.0	5.1	40	9.0	2.53	41.45	
H89B363DBV	30430	8928	3190	9.5	2.8	41060	2430	16.9	37650	2671	14.1	5.8	42	9.5	2.62	42.92	

*Data Subject to Revision

H89B SERIES (R410A)

60 HZ

Model	Oil Charge OZ L	Weight				ELECTRICAL START COMPONENTS			DIMENSIONS *DIAGRAMS FOUND ON PAGE 36						
		Net		Ship		Run Capacitor MFD/VOLTS	Start Capacitor MFD/VOLTS	G.E. Relay	A		B		C		
		Lbs	Kg	Lbs	Kg				IN	MM	IN	MM	IN	MM	
230/208 VOLTS - 1 Phase															
H89B153ABC	40	1.2	65.5	29.8	69.0	31.4	30/370	270-324/250	3ARR3*3BA*	11.1	282.7	13.3	338.6	13.6	344.9
H89B163ABC	40	1.2	65.5	29.8	69.0	31.4	30/370	270-324/250	3ARR3*3BA*	11.1	282.7	13.3	338.6	13.6	344.9
H89B183ABC	40	1.2	65.5	29.8	69.0	31.4	30/370	270-324/250	3ARR3*3BA*	11.1	282.7	13.3	338.6	13.6	344.9
H89B193ABC	40	1.2	66.5	30.2	70.0	31.8	30/370	270-324/250	3ARR3*3C*	11.1	282.7	13.3	338.6	13.6	344.9
H89B223ABC	40	1.2	66.5	30.2	70.0	31.8	35/370	270-324/250	3ARR3*3BA*	11.1	282.7	13.3	338.6	13.6	344.9
H89B243ABC	40	1.2	70.5	32.0	74.0	33.6	35/370	270-324/250	3ARR22*3B*	11.6	295.4	13.8	351.3	14.1	357.6
H89B283ABC	40	1.2	70.0	31.8	73.5	33.4	35/440	270-324/250	3ARR3*10C*	11.6	295.4	13.8	351.3	14.1	357.6
H89B303ABC	40	1.2	74.5	33.9	78.0	35.5	45/370	270-324/250	3ARR3*3V*	12.1	308.1	14.3	363.9	14.6	370.3
H89B323ABC	40	1.2	74.5	33.9	78.0	35.5	45/370	270-324/250	3ARR3*3V*	12.1	308.1	14.3	363.9	14.6	370.3
H89B343ABC	40	1.2	76.5	34.8	80.0	36.4	45/370	270-324/250	3ARR22*3V*	12.1	308.1	14.3	363.9	14.6	370.3
230/200 VOLTS - 3 Phase															
H89B183DBL	40	1.2	67.0	30.5	70.0	31.8	-Not Req'd	-Not Req'd	-Not Req'd	11.1	282.6	13.3	338.4	13.6	344.8
H89B243DBL	40	1.2	67.0	30.5	70.0	31.8	-Not Req'd	-Not Req'd	-Not Req'd	11.6	295.3	13.8	351.1	14.1	357.5
H89B283DBL	40	1.2	73.5	33.4	76.5	34.8	-Not Req'd	-Not Req'd	-Not Req'd	11.6	295.3	13.8	351.1	14.1	357.5
265 VOLTS - 1 Phase															
H89B223ABH	40	1.2	72.0	32.7	77.1	35.0	30/440	161-193/330	3ARR3*10V*	11.6	295.4	13.8	351.3	14.1	357.6
H89B283ABH	40	1.2	75.5	34.3	80.6	36.6	30/440	189-227/330	3ARR3*10A*	11.6	295.4	13.8	351.3	14.1	357.6
H89B293ABH	40	1.2	75.5	34.3	80.6	36.6	30/440	189-227/330	3ARR3*10A*	11.6	295.4	13.8	351.3	14.1	357.6
H89B323ABH	40	1.2	76.0	34.6	79.0	35.9	35/440	270-324/250	3ARR22*10C*	12.1	308.0	14.3	363.8	14.6	370.1
H89B343ABH	40	1.2	77.5	35.2	82.6	37.5	35/440	270-324/250	3ARR22*10C*	12.1	308.1	14.3	363.9	14.6	370.3
460/380 VOLTS - 3 Phase															
H89B183DBV	40	1.2	67.0	30.5	70.0	31.8	-Not Req'd	-Not Req'd	-Not Req'd	11.1	282.6	13.3	338.4	13.6	344.8
H89B203DBV	40	1.2	67.0	30.5	70.0	31.8	-Not Req'd	-Not Req'd	-Not Req'd	11.1	282.6	13.3	338.4	13.6	344.8
H89B243DBV	40	1.2	67.0	30.5	70.0	31.8	-Not Req'd	-Not Req'd	-Not Req'd	11.6	295.3	13.8	351.1	14.1	357.5
H89B283DBV	40	1.2	73.5	33.4	76.5	34.8	-Not Req'd	-Not Req'd	-Not Req'd	11.6	295.3	13.8	351.1	14.1	357.5
H89B303DBV	40	1.2	73.5	33.4	76.5	34.8	-Not Req'd	-Not Req'd	-Not Req'd	12.1	308.0	14.3	363.8	14.6	370.1
H89B343DBV	40	1.2	73.5	33.4	76.5	34.8	-Not Req'd	-Not Req'd	-Not Req'd	12.1	308.0	14.3	363.8	14.6	370.1
H89B363DBV	40	1.2	73.5	33.4	76.5	34.8	-Not Req'd	-Not Req'd	-Not Req'd	12.1	308.0	14.3	363.8	14.6	370.1

B FAMILY

H89B SERIES (R410A)

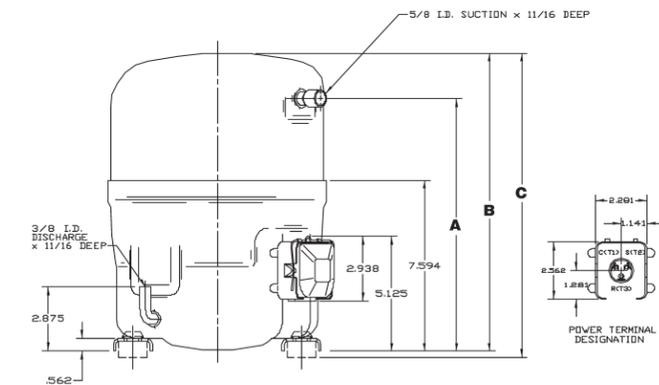
50 HZ

Model	@45/130				@45/100				@45/110				Electrical Data			Displacement	
	Capacity		Motor Input		Capacity		Motor Input		Capacity		Motor Input						
	BTU/H	WATTS	BTU/WH	W/W	BTU/H	WATTS	BTU/WH	W/W	BTU/H	WATTS	BTU/WH	W/W	RLA	LRA	MCC	IN ³ /REV	CM ³ /REV
220/200 VOLTS - 3 Phase																	
H89B183DBL	14900	4372	1610	9.3	2.7	22100	1310	16.9	19680	1439	13.7	6.5	60	11.0	1.56	25.47	
H89B243DBL	20675	6066	2225	9.3	2.7	29300	1715	17.1	26400	1915	13.8	7.7	60	13.0	1.91	31.29	
H89B283DBL	24650	7233	2590	9.5	2.8	33900	1985	17.1	31050	2180	14.2	9.7	82	16.0	2.18	35.71	
220/240 VOLTS - 1 Phase																	
H89B223ABH	18570	5449	1970	9.4	2.8	26540	1530	17.3	24020	1690	14.2	9.1	58	15.0	1.82	29.81	
H89B323ABH	27300	8010	2880	9.5	2.8	37375	2210	16.9	33950	2448	13.9	13.9	85	23.5	2.40	39.37	
H89B343ABH	29100	8538	3040	9.6	2.8	39500	2310	17.1	36000	2560	14.1	15.1	85	25.5	2.53	41.45	
380/415 VOLTS - 3 Phase																	
H89B183DBV	14900	4372	1610	9.3	2.7	22100	1310	16.9	19680	1439	13.7	6.5	60	11.0	1.56	25.47	
H89B203DBV	16800	4929	1775	9.5	2.8	24425	1385	17.6	22073	1533	14.4	3.3	31	5.7	1.68	27.55	
H89B243DBV	20675	6066	2225	9.3	2.7	29300	1715	17.1	26400	1915	13.8	3.8	31	6.5	1.91	31.29	
H89B283DBV	24650	7233	2590	9.5	2.8	33900	1985	17.1	31050	2180	14.2	4.3	42	8.0	2.18	35.71	
H89B303DBV	26300	7717	2760	9.5	2.8	35800	2100	17.0	32700	2300	14.2	4.7	42	8.4	2.30	37.63	
H89B343DBV	29125	8546	3070	9.5	2.8	39850	2350	17.0	36200	2610	13.9	5.4	42	9.5	2.53	41.45	
H89B363DBV	30430	8928	3190	9.5	2.8	41060	2430	16.9	37650	2671	14.1	5.8	42	9.5	2.62	42.92	

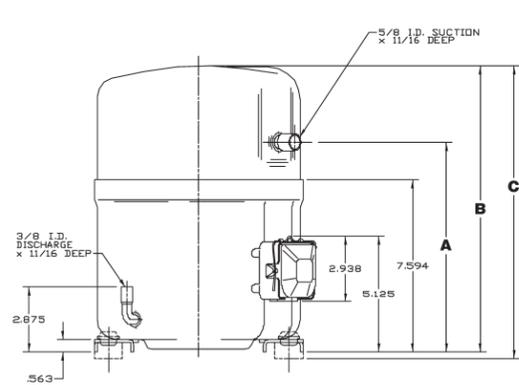
*Data Subject to Revision

B FAMILY

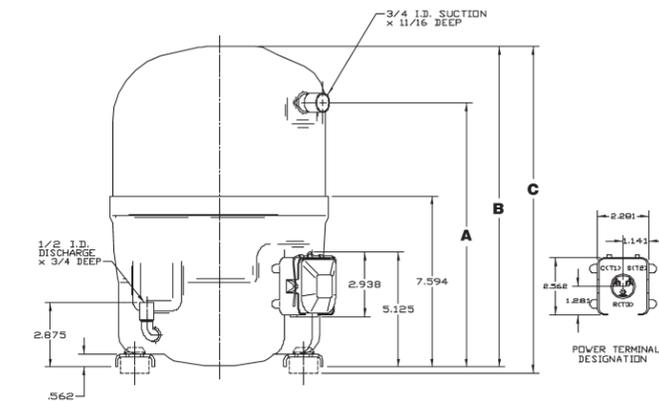
Diagrams



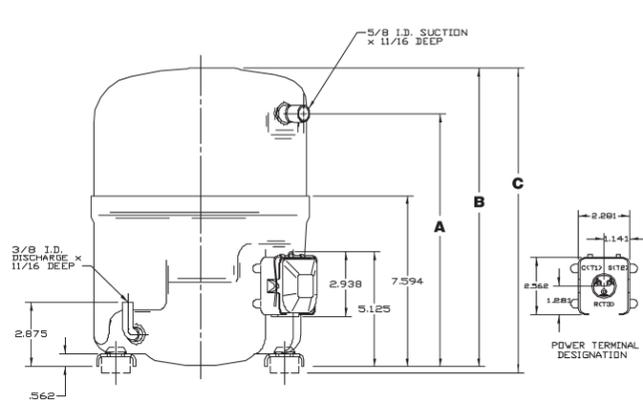
H23 & H73B



H24B



H25B, H26B, H27B



H29B & H79B

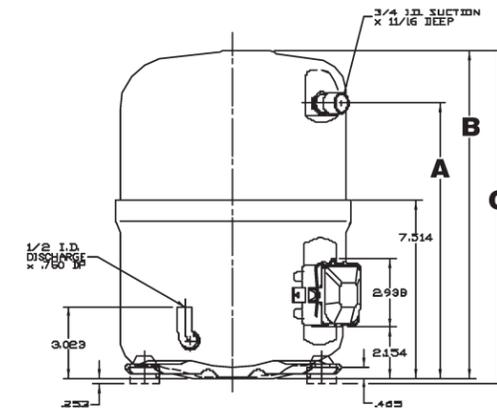
H89B SERIES (R410A)

50 HZ

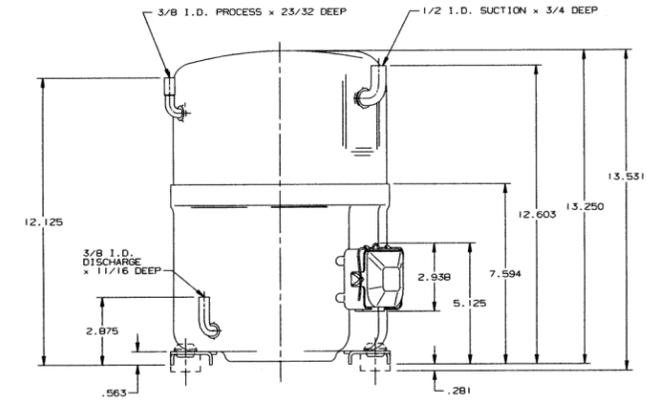
Model	Oil Charge		Weight				ELECTRICAL START COMPONENTS			DIMENSIONS					
	OZ	L	Net	Ship			Run Capacitor	Start Capacitor	G.E.	*DIAGRAMS FOUND ON PAGE 36					
			Lbs	Kg	Lbs	Kg	MFD/VOLTS	MFD/VOLTS	Relay	A	B		C		
									IN	MM	IN	MM	IN	MM	
220/200 VOLTS - 3 Phase															
H89B183DBL	40	1.2	67.0	30.5	70.0	31.8	-Not Req'd	-Not Req'd	-Not Req'd	11.1	282.6	13.3	338.4	13.6	344.8
H89B243DBL	40	1.2	67.0	30.5	70.0	31.8	-Not Req'd	-Not Req'd	-Not Req'd	11.6	295.3	13.8	351.1	14.1	357.5
H89B283DBL	40	1.2	73.5	33.4	76.5	34.8	-Not Req'd	-Not Req'd	-Not Req'd	11.6	295.3	13.8	351.1	14.1	357.5
220/240 VOLTS - 1 Phase															
H89B223ABH	40	1.2	72.0	32.7	77.1	35.0	40/370	161-193/250	3ARR3*10AS*	11.6	295.4	13.8	351.3	14.1	357.6
H89B323ABH	40	1.2	76.0	34.6	79.0	35.9	45/370	270-324/250	3ARR3*10AU*	12.1	308.0	14.3	363.8	14.6	370.1
H89B343ABH	40	1.2	77.5	35.3	82.6	37.6	45/370	270-324/250	3ARR3*10AU*	12.1	308.0	14.3	363.8	14.6	370.1
380/415 VOLTS - 3 Phase															
H89B183DBV	40	1.2	67.0	30.5	70.0	31.8	-Not Req'd	-Not Req'd	-Not Req'd	11.1	282.6	13.3	338.4	13.6	344.8
H89B203DBV	40	1.2	67.0	30.5	70.0	31.8	-Not Req'd	-Not Req'd	-Not Req'd	11.1	282.6	13.3	338.4	13.6	344.8
H89B243DBV	40	1.2	67.0	30.5	70.0	31.8	-Not Req'd	-Not Req'd	-Not Req'd	11.6	295.3	13.8	351.1	14.1	357.5
H89B283DBV	40	1.2	73.5	33.4	76.5	34.8	-Not Req'd	-Not Req'd	-Not Req'd	11.6	295.3	13.8	351.1	14.1	357.5
H89B303DBV	40	1.2	73.5	33.4	76.5	34.8	-Not Req'd	-Not Req'd	-Not Req'd	12.1	308.0	14.3	363.8	14.6	370.1
H89B343DBV	40	1.2	73.5	33.4	76.5	34.8	-Not Req'd	-Not Req'd	-Not Req'd	12.1	308.0	14.3	363.8	14.6	370.1
H89B363DBV	40	1.2	73.5	33.4	76.5	34.8	-Not Req'd	-Not Req'd	-Not Req'd	12.1	308.0	14.3	363.8	14.6	370.1

B FAMILY

Diagrams



H89B



H2EB

H29A SERIES

50 HZ

Model	@45/130				@45/100			@45/110			Electrical Data			Displacement		
	Capacity		Motor Input	EER/COP		Capacity	Motor Input	EER	Capacity	Motor Input						EER
	BTU/H	WATTS	WATTS	BTU/WH	W/W	BTU/H	WATTS	BTU/WH	BTU/H	WATTS	BTU/WH					
220/200 VOLTS - 3 Phase																
H29A323DBL	26300	7717	2350	11.2	3.3	35700	1900	18.8	32750	2100	15.6	9.1	115	17.5	3.61	59.14
H29A383DBL	31600	9272	2750	11.5	3.4	42100	2250	18.7	38600	2450	15.8	10.0	115	20.5	4.14	67.82
H29A423DBL	35000	10269	3050	11.5	3.4	46200	2450	18.9	42500	2700	15.7	10.7	138	20.0	4.50	73.72
H29A473DBL	39440	11572	3401	11.6	3.4	52367	2718	19.3	47922	2988	16.0	12.0	138	23.0	4.94	80.89
H29A543DBL	44900	13174	3850	11.7	3.4	57300	3050	18.8	53400	3350	15.9	13.4	145	25.0	5.50	90.10
H29A623DBL	49400	14494	4300	11.5	3.4	64000	3400	18.8	59100	3750	15.8	14.2	150	25.5	6.03	98.78
380/415 VOLTS - 3 Phase																
H29A323DBV	27400	8039	2400	11.4	3.4	36900	1900	19.4	33600	2100	16.0	3.8	54	9.5	3.61	59.14
H29A353DBV	29300	8597	2600	11.3	3.3	39000	2050	19.0	36200	2300	15.7	4.7	54	10.0	3.93	64.38
H29A383DBV	31630	9281	2780	11.4	3.3	41421	2167	19.1	38472	2415	15.9	4.8	54	11.0	4.15	67.98
H29A423DBV	35429	10395	3067	11.6	3.4	46203	2433	19.0	42474	2664	15.9	4.5	58	11.0	4.51	73.80
H29A473DBV	39117	11477	3368	11.6	3.4	50859	2680	19.0	47092	2969	15.9	6.3	58	11.4	4.94	80.89
H29A503DBV	42046	12337	3649	11.5	3.4	51669	2776	18.6	49911	3183	15.7	5.2	62	13.0	5.14	84.18
H29A563DBV	46182	13551	3974	11.6	3.4	58796	3079	19.1	54567	3400	16.0	6.8	66	15.0	5.07	83.08
H29A723DBV	60823	17847	5381	11.3	3.3	75692	4091	18.5	70682	4562	15.5	9.0	79	15.0	7.15	117.12
500 VOLTS - 3 Phase																
H29A353DBF	29300	8580	2600	11.3	3.3	38600	2100	18.4	36300	2300	15.8	3.8	42	8.5	3.93	64.37
H29A623DBF	49400	14470	4300	11.5	3.4	64000	3400	18.8	59100	3750	15.8	5.9	56	11.0	6.03	98.77

*Data Subject to Revision

H29A SERIES

50 HZ

Model	Oil Charge		Weight				ELECTRICAL START COMPONENTS			DIMENSIONS						
							Run Capacitor	Start Capacitor	G.E.	*DIAGRAMS FOUND ON PAGE 67						
	OZ	L	Net Lbs	Net Kg	Ship Lbs	Ship Kg	MFD/VOLTS	MFD/VOLTS	Relay	A IN	A MM	B IN	B MM	C IN	C MM	
220/200 VOLTS - 3 Phase																
H29A323DBL	65	1.9	92.0	41.9	96.5	43.9	-Not Req'd	-Not Req'd	-Not Req'd	14.0	355.2	16.1	409.2	16.4	416.3	
H29A383DBL	65	1.9	92.5	42.1	96.5	43.9	-Not Req'd	-Not Req'd	-Not Req'd	14.0	355.2	16.1	409.2	16.4	417.1	
H29A423DBL	65	1.9	94.5	43.0	104.5	47.5	-Not Req'd	-Not Req'd	-Not Req'd	15.3	386.9	17.4	440.9	17.7	448.8	
H29A473DBL	65	1.9	94.5	43.0	99.0	45.0	-Not Req'd	-Not Req'd	-Not Req'd	15.3	386.9	17.4	440.9	17.7	448.8	
H29A543DBL	65	1.9	100.5	45.7	104.5	47.5	-Not Req'd	-Not Req'd	-Not Req'd	15.3	386.9	17.4	440.9	17.7	448.8	
H29A623DBL	65	1.9	105.5	48.0	109.5	49.8	-Not Req'd	-Not Req'd	-Not Req'd	15.3	386.9	17.4	440.9	17.7	448.8	
380/415 VOLTS - 3 Phase																
H29A323DBV	65	1.9	92.0	41.9	96.5	43.9	-Not Req'd	-Not Req'd	-Not Req'd	14.0	355.2	16.1	409.2	16.4	416.3	
H29A353DBV	65	1.9	93.0	42.3	97.5	44.4	-Not Req'd	-Not Req'd	-Not Req'd	14.0	355.2	16.1	409.2	16.4	417.1	
H29A383DBV	65	1.9	92.5	42.0	96.5	43.9	-Not Req'd	-Not Req'd	-Not Req'd	14.0	355.3	16.1	409.4	16.4	417.2	
H29A423DBV	65	1.9	94.5	43.0	98.5	44.8	-Not Req'd	-Not Req'd	-Not Req'd	15.3	386.9	17.4	440.9	17.7	448.8	
H29A473DBV	65	1.9	94.5	43.0	99.0	45.0	-Not Req'd	-Not Req'd	-Not Req'd	15.3	386.9	17.4	440.9	17.7	448.8	
H29A503DBV	65	1.9	100.5	45.7	104.5	47.5	-Not Req'd	-Not Req'd	-Not Req'd	15.3	387.0	17.4	440.9	17.7	448.8	
H29A563DBV	65	1.9	105.5	48.0	109.5	49.8	-Not Req'd	-Not Req'd	-Not Req'd	15.3	387.0	17.4	440.9	17.7	448.8	
H29A723DBV	65	1.9	105.5	48.0	109.5	49.8	-Not Req'd	-Not Req'd	-Not Req'd	15.3	387.0	17.4	440.9	17.7	448.8	
500 VOLTS - 3 Phase																
H29A353DBF	65	1.9	93.0	42.3	97.5	44.3	-Not Req'd	-Not Req'd	-Not Req'd	14.0	355.3	16.1	409.4	16.4	417.2	
H29A623DBF	65	1.9	105.5	48.0	109.5	49.8	-Not Req'd	-Not Req'd	-Not Req'd	15.3	387.0	17.4	441.1	17.7	449.0	

A FAMILY

A FAMILY

H28A SERIES

60 HZ

Model	@45/130				@45/100			@45/110			Electrical Data RLA LRA MCC			Displacement IN ³ /REV CM ³ /REV		
	Capacity BTU/H WATTS	Motor Input WATTS	EER/COP BTU/WH W/W		Capacity BTU/H	Motor Input WATTS	EER	Capacity BTU/H	Motor Input WATTS	EER						
															IN	MM
230/208 VOLTS - 1 Phase																
H28A383ABC	38000	11150	3512	10.8	3.2	49950	2868	17.4	46450	3131	14.8	17.2	118	28.0	4.02	65.85
H28A423ABC	43350	12720	4015	10.8	3.2	56200	3305	17.0	52400	3605	14.5	18.4	118	30.0	4.51	73.87
230/200 VOLTS - 3 Phase																
H28A383DBL	38650	11341	3430	11.3	3.3	50125	2750	18.2	46400	3020	15.4	10.4	110	20.0	4.02	65.85
H28A423DBL	44000	12911	3925	11.2	3.3	57115	3160	18.1	52750	3460	15.2	11.6	110	21.0	4.51	73.87
H28A503DBL	49500	14524	4420	11.2	3.3	63790	3670	17.4	58940	3935	15.0	12.9	137	25.0	5.14	84.19
H28A543DBL	53500	15698	4860	11.0	3.2	68000	3950	17.2	63060	4315	14.6	13.9	137	25.0	5.50	90.09
460/380 VOLTS - 3 Phase																
H28A383DBV	38650	11341	3430	11.3	3.3	50125	2750	18.2	46400	3020	15.4	5.0	54	11.0	4.02	65.85
H28A423DBV	44000	12911	3925	11.2	3.3	57115	3160	18.1	52750	3460	15.2	5.8	54	11.0	4.51	73.87
H28A473DBV	47600	13967	4345	11.0	3.2	61600	3580	17.2	57150	3850	14.8	6.2	54	12.0	4.93	80.75
H28A503DBV	49500	14524	4420	11.2	3.3	63790	3670	17.4	58940	3935	15.0	6.6	69	13.0	5.14	84.19
H28A543DBV	53500	15698	4860	11.0	3.2	68000	3950	17.2	63060	4315	14.6	7.1	69	13.0	5.50	90.09
575 VOLTS - 3 Phase																
H28A383DBF	38650	11341	3430	11.3	3.3	50125	2750	18.2	46400	3020	15.4	4.1	44	8.0	4.02	65.85
H28A423DBF	44000	12911	3925	11.2	3.3	57115	3160	18.1	52750	3460	15.2	4.6	44	8.5	4.51	73.87
H28A503DBF	49500	14524	4420	11.2	3.3	63790	3670	17.4	58940	3935	15.0	5.4	58	10.0	5.14	84.19
H28A543DBF	53500	15698	4860	11.0	3.2	68000	3950	17.2	63060	4315	14.6	5.7	58	10.0	5.50	90.09

H28A SERIES

50 HZ

220/240 VOLTS - 1 Phase																
H28A383ABK	31000	9096	2870	10.8	3.2	40850	2300	17.8	37570	2520	14.9	15.1	99	24.0	4.02	65.85
H28A423ABK	37000	10857	3415	10.8	3.2	47450	2695	17.6	44210	2985	14.8	16.8	99	27.0	4.51	73.87
H28A473ABK	40000	11737	3635	11.0	3.2	51140	2865	17.8	47460	3130	15.2	17.0	115	30.0	4.93	80.75
220/200 VOLTS - 3 Phase																
H28A383DBL	31400	9213	2800	11.2	3.3	41600	2235	18.6	38225	2470	15.5	10.8	115	20.0	4.02	65.85
H28A423DBL	36925	10835	3300	11.2	3.3	47600	2640	18.0	44200	2900	15.2	11.6	115	20.0	4.51	73.87
H28A503DBL	43000	12617	3805	11.3	3.3	54310	3000	18.1	50670	3285	15.4	13.2	145	25.0	5.14	84.19
H28A543DBL	47000	13791	4160	11.3	3.3	59345	3280	18.1	55365	3595	15.4	13.8	145	25.0	5.50	90.09
380/415 VOLTS - 3 Phase																
H28A383DBV	31400	9213	2800	11.2	3.3	41600	2235	18.6	38225	2470	15.5	5.0	54	11.0	4.02	65.85
H28A423DBV	36925	10835	3300	11.2	3.3	47600	2640	18.0	44200	2900	15.2	5.7	54	10.5	4.51	73.87
H28A503DBV	43000	12617	3805	11.3	3.3	54310	3000	18.1	50670	3285	15.4	6.7	62	13.0	5.14	84.19
H28A543DBV	47000	13791	4160	11.3	3.3	59345	3280	18.1	55365	3595	15.4	7.3	62	13.0	5.50	90.09
500 VOLTS - 3 Phase																
H28A383DBF	31400	9213	2800	11.2	3.3	41600	2235	18.6	38225	2470	15.5	4.0	42	8.0	4.02	65.85
H28A423DBF	36925	10835	3300	11.2	3.3	47600	2640	18.0	44200	2900	15.2	4.6	42	9.0	4.51	73.87
H28A503DBF	43000	12617	3805	11.3	3.3	54310	3000	18.1	50670	3285	15.4	5.4	52	10.0	5.14	84.19
H28A543DBF	47000	13791	4160	11.3	3.3	59345	3280	18.1	55365	3595	15.4	5.6	52	10.0	5.50	90.09

*Data Subject to Revision

H28A SERIES

60 HZ

Model	Oil Charge OZ L		Weight Net Ship Lbs Kg Lbs Kg				ELECTRICAL START COMPONENTS			DIMENSIONS *DIAGRAMS FOUND ON PAGE 66									
							Run Capacitor MFD/VOLTS	Start Capacitor MFD/VOLTS	G.E. Relay	A		B		C					
															IN	MM	IN	MM	IN
230/208 VOLTS - 1 Phase																			
H28A383ABC	50	1.5	83.5	38.0	88.5	40.2	50/370	145-175/250	3ARR3*3P*	14	355.3	16.1	409.4	16.4	416.5				
H28A423ABC	50	1.5	83.5	38.0	88.5	40.2	60/370	145-175/250	3ARR3*3P*	14	355.3	16.1	409.4	16.4	416.5				
230/200 VOLTS - 3 Phase																			
H28A383DBL	50	1.5	86.5	39.3	90.5	41.1	-Not Req'd	-Not Req'd	-Not Req'd	14	355.3	16.1	409.4	16.4	416.5				
H28A423DBL	50	1.5	86.5	39.3	90.5	41.1	-Not Req'd	-Not Req'd	-Not Req'd	14	355.3	16.1	409.4	16.4	416.5				
H28A503DBL	55	1.6	95.0	43.2	100.0	45.5	-Not Req'd	-Not Req'd	-Not Req'd	14	355.3	16.1	409.4	16.4	416.5				
H28A543DBL	55	1.6	95.5	43.4	100.5	45.7	-Not Req'd	-Not Req'd	-Not Req'd	14	355.3	16.1	409.4	16.4	416.5				
460/380 VOLTS - 3 Phase																			
H28A383DBV	50	1.5	87.0	39.5	91.0	41.4	-Not Req'd	-Not Req'd	-Not Req'd	14	355.3	16.1	409.4	16.4	416.5				
H28A423DBV	50	1.5	87.0	39.5	91.0	41.4	-Not Req'd	-Not Req'd	-Not Req'd	14	355.3	16.1	409.4	16.4	416.5				
H28A473DBV	55	1.6	87.5	39.8	91.5	41.6	-Not Req'd	-Not Req'd	-Not Req'd	14	355.3	16.1	409.4	16.4	416.5				
H28A503DBV	55	1.6	94.0	42.7	99.0	45.0	-Not Req'd	-Not Req'd	-Not Req'd	14	355.3	16.1	409.4	16.4	416.5				
H28A543DBV	55	1.6	94.5	43.0	99.5	45.2	-Not Req'd	-Not Req'd	-Not Req'd	14	355.3	16.1	409.4	16.4	416.5				
575 VOLTS - 3 Phase																			
H28A383DBF	50	1.5	87.0	39.5	91.0	41.4	-Not Req'd	-Not Req'd	-Not Req'd	14	355.3	16.1	409.4	16.4	416.5				
H28A423DBF	50	1.5	87.0	39.5	91.0	41.4	-Not Req'd	-Not Req'd	-Not Req'd	14	355.3	16.1	409.4	16.4	416.5				
H28A503DBF	55	1.6	93.5	42.5	98.5	44.8	-Not Req'd	-Not Req'd	-Not Req'd	14	355.3	16.1	409.4	16.4	416.5				
H28A543DBF	55	1.6	94.0	42.7	99.0	45.0	-Not Req'd	-Not Req'd	-Not Req'd	14	355.3	16.1	409.4	16.4	416.5				

H28A SERIES

50 HZ

220/240 VOLTS - 1 Phase																
H28A383ABK	50	1.5	83.5	38.0	88.5	40.2	50/370	145-175/250	3ARR3*24P*	14	355.3	16.1	409.4	16.4	416.5	
H28A423ABK	50	1.5	83.5	38.0	88.5	40.2	55/370	145-175/250	3ARR3*24P*	14	355.3	16.1	409.4	16.4	416.5	
H28A473ABK	55	1.6	95.0	43.2	100.0	45.5	65/440	161-193/250	3ARR3*6AS	14	355.3	16.1	409.4	16.4	416.5	
220/200 VOLTS - 3 Phase																
H28A383DBL	50	1.5	86.5	39.3	90.5	41.1	-Not Req'd	-Not Req'd	-Not Req'd	14	355.3	16.1	409.4	16.4	416.5	
H28A423DBL	50	1.5	86.5	39.3	90.5	41.1	-Not Req'd	-Not Req'd	-Not Req'd	14	355.3	16.1	409.4	16.4	416.5	
H28A503DBL	55	1.6	95.0	43.2	100.0	45.5	-Not Req'd	-Not Req'd	-Not Req'd	14	355.3	16.1	409.4	16.4	416.5	
H28A543DBL	55	1.6	95.5	43.4	100.5	45.7	-Not Req'd	-Not Req'd	-Not Req'd	14	355.3	16.1	409.4	16.4	416.5	
380/415 VOLTS - 3 Phase																
H28A383DBV	50	1.5	87.0	39.5	91.0	41.4	-Not Req'd	-Not Req'd	-Not Req'd	14	355.3	16.1	409.4	16.4	416.5	
H28A423DBV	50	1.5	87.0	39.5	91.0	41.4	-Not Req'd	-Not Req'd	-Not Req'd	14	355.3	16.1	409.4	16.4	416.5	
H28A503DBV	55	1.6	94.0	42.7	99.0	45.0	-Not Req'd	-Not Req'd	-Not Req'd	14	355.3	16.1	409.4	16.4	416.5	
H28A543DBV	55	1.6	94.5	43.0	99.5	45.2	-Not Req'd	-Not Req'd	-Not Req'd	14	355.3	16.1	409.4	16.4	416.5	
500 VOLTS - 3 Phase																
H28A383DBF	50	1.5	87.0	39.5	91.0	41.4	-Not Req'd	-Not Req'd	-Not Req'd	14	355.3	16.1	409.4	16.4	416.5	
H28A423DBF	50	1.5	87.0	39.5	91.0	41.4	-Not Req'd	-Not Req'd	-Not Req'd	14	355.3	16.1	409.4	16.4	416.5	
H28A503DBF	55	1.6	93.5	42.5	98.5	44.8	-Not Req'd	-Not Req'd	-Not Req'd	14	355.3	16.1	409.4	16.4	416.5	
H28A543DBF	55	1.6	94.0	42.7	99.0	45.0	-Not Req'd	-Not Req'd	-Not Req'd	14	355.3	16.1	409.4	16.4	416.5	

H27AQ SERIES

60 HZ

Model	@45/130			@45/100			@45/110			Electrical Data			Displacement			
	Capacity BTU/H WATTS	Motor Input WATTS	EER/COP BTU/WH W/W	Capacity BTU/H	Motor Input WATTS	EER/COP BTU/WH	Capacity BTU/H	Motor Input WATTS	EER/COP BTU/WH	RLA	LRA	MCC	IN/REV	CM/REV		
230/208 VOLTS - 1 Phase																
H27A28QCBC	28200	8274	2410	11.7	3.4	35101	1797	19.5	32800	1988	16.5	10.7	69	23	3.01	49.29
H27A32QCBC	31500	9243	2670	11.8	3.5	41281	2126	19.4	37800	2290	16.5	11.8	87	25	3.30	54.12
H27A35QCBC	35200	10328	2960	11.9	3.5	45016	2281	19.7	42000	2530	16.6	13.2	87	28	3.63	59.52
H27A38QCBC	38400	11267	3230	11.9	3.5	49156	2495	19.7	45600	2747	16.6	14.7	87	30	3.89	63.78
H27A42QCBC	42600	12500	3550	12.0	3.5	52782	2680	19.7	50000	3020	16.6	15.4	105	34	4.21	68.99
H27A46QCBC	46500	13644	3910	11.9	3.5	59138	3003	19.7	55000	3333	16.5	17.4	105	36	4.64	75.95
H27A50QCBC	49200	14436	4170	11.8	3.5	62181	3189	19.5	58100	3575	16.3	18.0	135	38	4.83	79.05
H27A54QCBC	53500	15698	4570	11.7	3.4	67112	3480	19.3	62800	3925	16.0	20.3	135	40	5.25	86.01
H27A56QCBC	56800	16666	4898	11.6	3.4	70645	3778	18.7	66200	4202	15.8	21.3	135	40	5.46	89.48
H27A62QCBC	62300	18280	5375	11.6	3.4	77479	4188	18.5	72300	4625	15.6	24.0	147	42	5.92	97.02
230/200 VOLTS - 3 Phase																
H27A32QDBL	31500	9230	2700	11.7	3.4	41200	2150	19.2	37800	2300	16.4	8.8	110	22	3.30	54.05
H27A35QDBL	35200	10310	3000	11.7	3.4	45000	2285	19.7	42000	2530	16.6	9.2	110	22	3.63	59.46
H27A42QDBL	42600	12480	3550	12.0	3.5	52900	2700	19.6	50000	3050	16.4	11.2	130	22	4.21	68.96
H27A46QDBL	46500	13620	3950	11.8	3.4	59200	3000	19.7	55000	3350	16.4	12.3	130	23	4.64	76.00
H27A50QDBL	49200	14420	4200	11.7	3.4	62200	3200	19.4	58100	3600	16.1	13.0	137	25	4.83	79.12
H27A54QDBL	53500	15680	4600	11.6	3.4	67200	3500	19.2	63000	3950	15.9	14.3	137	24	5.25	86.00
H27A56QDBL	55800	16350	4900	11.4	3.3	70700	3800	18.6	66200	4200	15.8	15.5	150	24	5.46	89.43
H27A62QDBL	62300	18250	5350	11.6	3.4	77500	4200	18.5	72300	4600	15.7	16.8	150	25	5.92	96.97
460 VOLTS - 3 Phase																
H27A32QDBE	31500	9243	2670	11.8	3.5	41187	2112	19.5	37800	2290	16.5	4.4	54	10	3.30	54.12
H27A35QDBE	35200	10328	2960	11.9	3.5	45015	2285	19.7	42000	2530	16.6	4.6	54	10	3.63	59.52
H27A38QDBE	38400	11267	3200	12.0	3.5	49182	2484	19.8	45600	2745	16.6	5.1	54	11	3.89	63.78
H27A42QDBE	42600	12500	3550	12.0	3.5	52828	2669	19.8	50000	3015	16.6	5.6	64	11	4.21	68.99
H27A46QDBE	46500	13644	3910	11.9	3.5	59138	3003	19.7	55000	3330	16.5	6.2	64	11	4.64	75.95
H27A50QDBE	49200	14436	4170	11.8	3.5	62181	3189	19.5	58100	3575	16.3	6.5	69	13	4.83	79.05
H27A54QDBE	53500	15698	4570	11.7	3.4	66590	3466	19.2	62800	3930	16.0	7.2	69	14	5.25	86.01
H27A56QDBE	56800	16666	4855	11.7	3.4	69204	3701	18.7	66200	4190	15.8	7.7	75	13	5.46	89.48
H27A62QDBE	62300	18280	5325	11.7	3.4	76174	4092	18.6	72300	4605	15.7	8.4	75	14	5.92	97.02
575 VOLTS - 3 Phase																
H27A32QDBF	31500	9243	2670	11.8	3.5	41187	2112	19.5	37800	2290	16.5	3.5	44	9	3.30	54.12
H27A35QDBF	35200	10328	2960	11.9	3.5	45015	2285	19.7	42000	2530	16.6	3.7	44	9	3.63	59.52
H27A38QDBF	38400	11267	3200	12.0	3.5	49182	2484	19.8	45600	2745	16.6	4.0	44	9	3.89	63.78
H27A42QDBF	42600	12500	3550	12.0	3.5	52828	2669	19.8	50000	3015	16.6	4.5	52	9	4.21	68.99
H27A46QDBF	46500	13644	3910	11.9	3.5	59138	3002	19.7	55000	3381	16.3	4.9	52	10	4.64	75.95
H27A50QDBF	49200	14436	4170	11.8	3.5	62181	3189	19.5	58100	3575	16.3	5.2	58	10	4.83	79.05
H27A54QDBF	53500	15698	4570	11.7	3.4	66590	3466	19.2	62800	3930	16.0	5.7	58	10	5.25	86.01
H27A56QDBF	56800	16666	4855	11.7	3.4	69204	3701	18.7	66200	4190	15.8	6.2	62	10	5.46	89.48
H27A62QDBF	62300	18280	5325	11.7	3.4	76174	4092	18.6	72300	4605	15.7	6.7	62	11	5.92	97.02

*Data Subject to Revision

THE H27AQ SERIES IS BEING OBSOLETE.
THESE COMPRESSORS ARE BEING REPLACED WITH THE H20R/H21R SERIES COMPRESSORS.

H27AQ SERIES

60 HZ

Model	Oil Charge		Weight				ELECTRICAL START COMPONENTS			DIMENSIONS *DIAGRAMS FOUND ON PAGE 66					
	OZ	L	Net Lbs	Net Kg	Ship Lbs	Ship Kg	Run Capacitor MFD/VOLTS	Start Capacitor MFD/VOLTS	G.E. Relay	A		B		C	
										IN	MM	IN	MM	IN	MM
230/208 VOLTS - 1 Phase															
H27A28QCBC	65	1.9	92.5	42.0	96.5	43.9	35/370	270-324/330	3ARR22*3U*	14.0	355.3	16.1	409.4	16.4	417.2
H27A32QCBC	65	1.9	92.5	42.0	96.5	43.9	40/370	270-324/330	3ARR22*3S*	14.0	355.3	16.1	409.4	16.4	417.2
H27A35QCBC	65	1.9	92.5	42.0	96.5	43.9	40/370	270-324/330	3ARR22*3S*	14.0	355.3	16.1	409.4	16.4	417.2
H27A38QCBC	65	1.9	92.5	42.0	96.5	43.9	45/370	270-324/330	3ARR22*3S*	14.0	355.3	16.1	409.4	16.4	417.2
H27A42QCBC	65	1.9	100.5	45.7	109.5	49.8	45/370	270-324/330	3ARR22*3P*	15.2	387.0	17.4	441.1	17.7	449.0
H27A46QCBC	65	1.9	100.5	45.7	109.5	49.8	55/370	270-324/330	3ARR22*3P*	15.2	387.0	17.4	441.1	17.7	449.0
H27A50QCBC	65	1.9	100.5	45.7	109.5	49.8	55/370	270-324/330	3ARR22*3N*	15.2	387.0	17.4	441.1	17.7	449.0
H27A54QCBC	65	1.9	100.5	45.7	109.5	49.8	60/370	270-324/330	3ARR22*3N*	15.2	387.0	17.4	441.1	17.7	449.0
H27A56QCBC	65	1.9	100.5	45.7	109.5	49.8	60/370	270-324/330	3ARR22*3N*	15.2	387.0	17.4	441.1	17.7	449.0
H27A62QCBC	65	1.9	100.5	45.7	109.5	49.8	60/370	270-324/330	3ARR22*24R*	15.2	387.0	17.4	441.1	17.7	449.0
230/200 VOLTS - 3 Phase															
H27A32QDBL	65	1.9	92.5	42.0	96.5	43.9	-Not Req'd	-Not Req'd	-Not Req'd	14.0	355.3	16.1	409.4	16.4	417.2
H27A35QDBL	65	1.9	92.5	42.0	96.5	43.9	-Not Req'd	-Not Req'd	-Not Req'd	14.0	355.3	16.1	409.4	16.4	417.2
H27A42QDBL	65	1.9	100.5	45.7	104.5	47.5	-Not Req'd	-Not Req'd	-Not Req'd	15.3	387.0	17.4	441.1	17.7	449.0
H27A46QDBL	65	1.9	100.5	45.7	104.5	47.5	-Not Req'd	-Not Req'd	-Not Req'd	15.3	387.0	17.4	441.1	17.7	449.0
H27A50QDBL	65	1.9	105.5	48.0	109.5	49.8	-Not Req'd	-Not Req'd	-Not Req'd	15.3	387.0	17.4	441.1	17.7	449.0
H27A54QDBL	65	1.9	105.5	48.0	109.5	49.8	-Not Req'd	-Not Req'd	-Not Req'd	15.3	387.0	17.4	441.1	17.7	449.0
H27A56QDBL	65	1.9	105.5	48.0	109.5	49.8	-Not Req'd	-Not Req'd	-Not Req'd	15.3	387.0	17.4	441.1	17.7	449.0
H27A62QDBL	65	1.9	105.5	48.0	109.5	49.8	-Not Req'd	-Not Req'd	-Not Req'd	16.2	410.6	13.3	336.3	13.5	343.4
460 VOLTS - 3 Phase															
H27A32QDBE	65	1.9	92.5	42.0	96.5	43.9	-Not Req'd	-Not Req'd	-Not Req'd	14.0	355.3	16.1	409.4	16.4	417.2
H27A35QDBE	65	1.9	92.5	42.0	96.5	43.9	-Not Req'd	-Not Req'd	-Not Req'd	14.0	355.3	16.1	409.4	16.4	417.2
H27A38QDBE	65	1.9	92.5	42.0	96.5	43.9	-Not Req'd	-Not Req'd	-Not Req'd	14.0	355.3	16.1	409.4	16.4	417.2
H27A42QDBE	65	1.9	100.5	45.7	109.5	49.8	-Not Req'd	-Not Req'd	-Not Req'd	15.2	387.0	17.4	441.1	17.7	449.0
H27A46QDBE	65	1.9	100.5	45.7	109.5	49.8	-Not Req'd	-Not Req'd	-Not Req'd	15.2	387.0	17.4	441.1	17.7	449.0
H27A50QDBE	65	1.9	100.5	45.7	109.5	49.8	-Not Req'd	-Not Req'd	-Not Req'd	15.2	387.0	17.4	441.1	17.7	449.0
H27A54QDBE	65	1.9	100.5	45.7	109.5	49.8	-Not Req'd	-Not Req'd	-Not Req'd	15.2	387.0	17.4	441.1	17.7	449.0
H27A56QDBE	65	1.9	100.5	45.7	109.5	49.8	-Not Req'd	-Not Req'd	-Not Req'd	15.2	387.0	17.4	441.1	17.7	449.0
H27A62QDBE	65	1.9	100.5	45.7	109.5	49.8	-Not Req'd	-Not Req'd	-Not Req'd	16.2	410.6	13.2	336.3	13.5	343.4
575 VOLTS - 3 Phase															
H27A32QDBF	65	1.9	92.5	42.0	96.5	43.9	-Not Req'd	-Not Req'd	-Not Req'd	14.0	355.3	16.1	409.4	16.4	417.2
H27A35QDBF	65	1.9	92.5	42.0	96.5	43.9	-Not Req'd	-Not Req'd	-Not Req'd	14.0	355.3	16.1	409.4	16.4	417.2
H27A38QDBF	65	1.9	92.5	42.0	96.5	43.9	-Not Req'd	-Not Req'd	-Not Req'd	14.0	355.3	16.1	409.4	16.4	417.2
H27A42QDBF	65	1.9	100.5	45.7	109.5	49.8	-Not Req'd	-Not Req'd	-Not Req'd	15.2	387.0	17.4	441.1	17.7	449.0
H27A46QDBF	65	1.9	100.5	45.7	109.5	49.8	-Not Req'd	-Not Req'd	-Not Req'd	15.2	387.0	17.4	441.1	17.7	449.0
H27A50QDBF	65	1.9	100.5												

H26AQ SERIES

60 HZ

Model	@45/130					@45/100			@45/110			Electrical Data RLA LRA MCC			Displacement IN ³ /REV CM ³ /REV	
	Capacity		Motor Input	EER/COP		Capacity	Motor Input	EER	Capacity	Motor Input	EER					
	BTU/H	WATTS	WATTS	BTU/WH	W/W	BTU/H	WATTS	BTU/WH	BTU/H	WATTS	BTU/WH					
230/208 VOLTS - 1 Phase																
H26A32QCBC	31200	9155	2696	11.6	3.4	40650	2160	18.8	37500	2340	16.0	11.8	87	25	3.30	54.05
H26A35QCBC	35000	10270	3021	11.6	3.4	44700	2350	19.0	41800	2602	16.1	13.6	87	28	3.63	59.46
H26A38QCBC	38200	11209	3260	11.7	3.4	49000	2544	19.3	45560	2810	16.2	14.4	87	28	3.89	63.72
H26A42QCBC	41500	12177	3554	11.7	3.4	53200	2770	19.2	49600	3068	16.2	15.8	105	34	4.21	68.96
H26A46QCBC	46300	13585	3972	11.7	3.4	59300	3114	19.0	54900	3452	15.9	17.6	105	36	4.64	76.00
H26A50QCBC	48700	14290	4207	11.6	3.4	61520	3275	18.8	57500	3653	15.7	18.5	135	38	4.83	79.12
H26A54QCBC	52900	15522	4604	11.5	3.4	66750	3618	18.4	62000	4000	15.5	20.4	135	42	5.25	86.00
H26A56QCBC	55900	16402	4934	11.3	3.3	69700	3880	18.0	65400	4290	15.2	21.5	147	44	5.46	89.43
H26A62QCBC	61000	17899	5390	11.3	3.3	75950	4281	17.7	71000	4680	15.2	24.2	147	48	5.92	96.97
230/200 VOLTS - 3 Phase																
H26A32QDBL	26520	7782	2292	11.6	3.4	40650	2156	18.9	37500	2340	16.0	7.2	115	22	3.30	54.05
H26A38QDBL	38200	11209	3260	11.7	3.4	48987	2544	19.3	45560	2810	16.2	10.2	110	22	3.89	63.72
H26A42QDBL	41500	12177	3554	11.7	3.4	53200	2770	19.2	49600	3068	16.2	11.3	130	22	4.21	68.96
H26A50QDBL	48700	14290	4207	11.6	3.4	61519	3275	18.8	57500	3653	15.7	13.2	137	25	4.83	79.12
H26A54QDBL	52900	15522	4604	11.5	3.4	66743	3618	18.4	62000	3997	15.5	14.7	137	25	5.25	86.00
H26A56QDBL	55900	16402	4934	11.3	3.3	69652	3876	18.0	65400	4289	15.2	15.4	150	26	5.46	89.43
H26A62QDBL	61000	17899	5390	11.3	3.3	75942	4271	17.8	71000	4675	15.2	17.3	150	27	5.92	96.97
H26A68QDBL	68200	20011	6010	11.3	3.3	83520	5047	16.5	78450	5440	14.4	17.5	158	30	6.57	107.62
H26A72QDBL	71500	20980	6340	11.3	3.3	88300	5073	17.4	82800	5520	15.0	18.3	158	34	6.85	112.20
460 VOLTS - 3 Phase																
H26A32QDBE	31200	9155	2696	11.6	3.4	40645	2156	18.9	37500	2340	16.0	4.3	54	10	3.30	54.05
H26A35QDBE	35000	10270	3021	11.6	3.4	44694	2351	19.0	41800	2602	16.1	4.8	54	10	3.63	59.46
H26A38QDBE	38200	11209	3260	11.7	3.4	48987	2544	19.3	45560	2810	16.2	5.1	54	11	3.89	63.72
H26A42QDBE	41500	12177	3554	11.7	3.4	53200	2770	19.2	49600	3068	16.2	5.6	54	11	4.21	68.96
H26A46QDBE	46300	13585	3972	11.7	3.4	59275	3114	19.0	54900	3452	15.9	6.3	64	11	4.64	76.00
H26A50QDBE	48700	14290	4207	11.6	3.4	61519	3275	18.8	57500	3653	15.7	6.6	69	13	4.83	79.12
H26A54QDBE	52900	15522	4604	11.5	3.4	66743	3618	18.4	62000	3997	15.5	7.3	69	14	5.25	86.00
H26A56QDBE	55900	16402	4934	11.3	3.3	69652	3876	18.0	64500	4289	15.0	7.7	75	15	5.46	89.43
H26A62QDBE	61000	17899	5390	11.3	3.3	75942	4271	17.8	71000	4675	15.2	8.6	75	15	5.92	96.97
H26A68QDBE	68240	20023	6010	11.4	3.3	84103	4820	17.4	79055	5245	15.1	8.8	79	15	6.57	107.62
H26A72QDBE	71500	20980	6340	11.3	3.3	88299	5073	17.4	82800	5520	15.0	9.2	79	15	6.85	112.20
575 VOLTS - 3 Phase																
H26A32QDBF	31200	9155	2696	11.6	3.4	40645	2156	18.9	37500	2340	16.0	3.4	44	9	3.30	54.05
H26A35QDBF	35000	10270	3021	11.6	3.4	44694	2351	19.0	41800	2602	16.1	3.9	44	9	3.63	59.46
H26A38QDBF	38200	11209	3260	11.7	3.4	48987	2544	19.3	45560	2810	16.2	4.1	44	9	3.89	63.72
H26A42QDBF	41500	12177	3554	11.7	3.4	53200	2770	19.2	49600	3068	16.2	4.5	52	9	4.21	68.96
H26A46QDBF	46300	13585	3972	11.7	3.4	59275	3114	19.0	54900	3452	15.9	5.1	52	10	4.64	76.00
H26A50QDBF	48700	14290	4207	11.6	3.4	61519	3275	18.8	57500	3653	15.7	5.3	58	10	4.83	79.12
H26A54QDBF	52900	15522	4604	11.5	3.4	66743	3618	18.4	62000	3997	15.5	5.9	58	10	5.25	86.00
H26A56QDBF	55900	16402	4934	11.3	3.3	69590	3876	18.0	64500	4289	15.0	6.2	62	10	5.46	89.43
H26A62QDBF	61000	17899	5390	11.3	3.3	75942	4271	17.8	71000	4675	15.2	6.9	62	11	5.92	96.97
H26A68QDBF	68200	20011	6010	11.3	3.3	84103	4820	17.4	79055	5245	15.1	7.0	65	14	6.57	107.62
H26A72QDBF	71500	20980	6340	11.3	3.3	88299	5073	17.4	82800	5525	15.0	7.3	65	14	6.85	112.20

*Data Subject to Revision

THE H26AQ SERIES IS BEING OBSOLETE.
THESE COMPRESSORS ARE BEING REPLACED WITH THE H20R/H21R SERIES COMPRESSORS.

H26AQ SERIES

60 HZ

Model	Oil Charge OZ L		Weight Net Ship Lbs Kg Lbs Kg				ELECTRICAL START COMPONENTS			DIMENSIONS *DIAGRAMS FOUND ON PAGE 66						
							Run Capacitor MFD/VOLTS	Start Capacitor MFD/VOLTS	G.E. Relay	A		B		C		
	IN	MM	IN	MM	IN	MM										
230/208 VOLTS - 1 Phase																
H26A32QCBC	65	1.9	92.5	42.0	96.5	43.9	40/370	270-324/330	3ARR22*3S*	14.0	355.3	16.1	409.4	16.4	417.2	
H26A35QCBC	65	1.9	92.5	42.0	96.5	43.9	40/370	270-324/330	3ARR22*3S*	14.0	355.3	16.1	409.4	16.4	417.2	
H26A38QCBC	65	1.9	92.5	42.0	96.5	43.9	45/370	270-324/330	3ARR22*3S*	14.0	355.3	16.1	409.4	16.4	417.2	
H26A42QCBC	65	1.9	100.5	45.7	104.5	47.5	45/370	270-324/330	3ARR22*3P*	15.2	387.0	17.4	441.1	17.7	449.0	
H26A46QCBC	65	1.9	100.5	45.7	104.5	47.5	55/370	270-324/330	3ARR22*3P*	15.2	387.0	17.4	441.1	17.7	449.0	
H26A50QCBC	65	1.9	105.5	48.0	109.5	49.8	55/370	270-324/330	3ARR22*3N*	15.2	387.0	17.4	441.1	17.7	449.0	
H26A54QCBC	65	1.9	105.5	48.0	109.5	49.8	60/370	270-324/330	3ARR22*3N*	15.2	387.0	17.4	441.1	17.7	449.0	
H26A56QCBC	65	1.9	105.5	48.0	109.5	49.8	60/370	270-324/330	3ARR22*3N*	15.2	387.0	17.4	441.1	17.7	449.0	
H26A62QCBC	65	1.9	105.5	48.0	109.5	49.8	60/370	270-324/330	3ARR22*24R*	15.2	387.0	17.4	441.1	17.7	449.0	
230/200 VOLTS - 3 Phase																
H26A32QDBL	65	1.9	92.5	42.0	96.5	43.9	-Not Req'd	-Not Req'd	-Not Req'd	14.0	355.3	16.1	409.4	16.4	417.2	
H26A38QDBL	65	1.9	92.5	42.0	96.5	43.9	-Not Req'd	-Not Req'd	-Not Req'd	14.0	355.3	16.1	409.4	16.4	417.2	
H26A42QDBL	65	1.9	94.5	43.0	98.5	44.8	-Not Req'd	-Not Req'd	-Not Req'd	14.0	355.3	16.1	409.4	16.4	417.2	
H26A50QDBL	65	1.9	100.5	45.7	104.5	47.5	-Not Req'd	-Not Req'd	-Not Req'd	15.2	387.0	17.4	441.4	17.7	449.0	
H26A54QDBL	65	1.9	100.5	45.7	104.5	47.5	-Not Req'd	-Not Req'd	-Not Req'd	15.2	387.0	17.4	441.1	17.7	449.0	
H26A56QDBL	65	1.9	105.5	48.0	109.5	49.8	-Not Req'd	-Not Req'd	-Not Req'd	15.2	387.0	17.4	441.1	17.7	449.0	
H26A62QDBL	65	1.9	105.5	48.0	109.5	49.8	-Not Req'd	-Not Req'd	-Not Req'd	15.2	387.0	17.4	441.1	17.7	449.0	
H26A68QDBL	65	1.9	105.5	48.0	109.5	49.8	-Not Req'd	-Not Req'd	-Not Req'd	15.2	387.0	17.4	441.1	17.7	449.0	
H26A72QDBL	65	1.9	105.5	48.0	109.5	49.8	-Not Req'd	-Not Req'd	-Not Req'd	15.2	387.0	17.4	441.1	17.7	449.0	
460 VOLTS - 3 Phase																
H26A32QDBE	65	1.9	92.5	42.0	96.5	43.9	-Not Req'd	-Not Req'd	-Not Req'd	14.0	355.3	16.1	409.4	16.4	417.2	
H26A35QDBE	65	1.9	92.5	42.0	96.5	43.9	-Not Req'd	-Not Req'd	-Not Req'd	14.0	355.3	16.1	409.4	16.4	417.2	
H26A38QDBE	65	1.9	92.5	42.0	96.5	43.9	-Not Req'd	-Not Req'd	-Not Req'd	14.0	355.3	16.1	409.4	16.4	417.2	
H26A42QDBE	65	1.9	94.5	43.0	98.5	44.8	-Not Req'd	-Not Req'd	-Not Req'd	14.0	355.3	16.1	409.4	16.4	417.2	
H26A46QDBE	65	1.9	94.5	43.0	98.5	44.8	-Not Req'd	-Not Req'd	-Not Req'd	14.0	355.3	16.1	409.4	16.4	417.2	
H26A50QDBE	65	1.9	100.5	45.7	104.5	47.5	-Not Req'd	-Not Req'd	-Not Req'd	15.2	387.0	17.4	441.1	17.7	449.0	
H26A54QDBE	65	1.9	100.5	45.7	104.5	47.5	-Not Req'd	-Not Req'd	-Not Req'd	15.2	387.0	17.4	441.1	17.7	449.0	
H26A56QDBE	65	1.9	105.5	48.0	109.5	49.8	-Not Req'd	-Not Req'd	-Not Req'd	15.2	387.0	17.4	441.1	17.7	449.0	
H26A62QDBE	65	1.9	105.5	48.0	109.5	49.8	-Not Req'd	-Not Req'd	-Not Req'd	15.2	387.0	17.4	441.1	17.7	449.0	
H26A68QDBE	65	1.9	105.5	48.0	109.5	49.8	-Not Req'd	-Not Req'd	-Not Req'd	15.2	387.0	17.4	441.1	17.7	449.0	
H26A72QDBE	65	1.9	105.5	48.0	109.5	49.8	-Not Req'd	-Not Req'd	-Not Req'd	15.2	387.0	17.4	441.1	17.7	449.0	
575 VOLTS - 3 Phase																
H26A32QDBF	65	1.9	92.5	42.0	96.5	43.9	-Not Req'd	-Not Req								

H26AQ SERIES

50 HZ

Model	@45/130				@45/100			@45/110			Electrical Data			Displacement		
	Capacity BTU/H WATTS	Motor Input WATTS	EER/COP		Capacity BTU/H	Motor Input WATTS	EER	Capacity BTU/H	Motor Input WATTS	EER	RLA	LRA	MCC	IN ³ /REV	CM ³ /REV	
			BTU/WH	W/W												
220/200 VOLTS - 3 Phase																
H26A32QDBL	26520	7782	2292	11.6	3.4	34503	1833	18.8	31875	1989	16.0	7.2	115	22	3.30	54.05
H26A35QDBL	29750	8729	2568	11.6	3.4	37989	1999	19.0	35530	2212	16.1	8.2	115	22	3.63	59.46
H26A38QDBL	32470	9527	2771	11.7	3.4	41639	2163	19.3	38726	2389	16.2	8.7	115	22	3.89	63.72
H26A42QDBL	35275	10350	3021	11.7	3.4	45220	2355	19.2	42160	2608	16.2	3.8	49	9	4.21	68.96
H26A46QDBL	39355	11548	3376	11.7	3.4	50389	2647	19.0	46665	2934	15.9	4.3	49	10	4.64	76.00
H26A50QDBL	41395	12146	3576	11.6	3.4	52291	2784	18.8	48875	3105	15.7	4.5	52	10	4.83	79.12
H26A54QDBL	44965	13194	3913	11.5	3.4	56731	3075	18.4	52700	3397	15.5	5.0	52	10	5.25	86.00
H26A56QDBL	47515	13942	4194	11.3	3.3	49204	3294	14.9	55000	3646	15.1	5.2	56	10	5.46	89.43
H26A62QDBL	51850	15214	4582	11.3	3.3	64550	3630	17.8	60350	3974	15.2	14.7	157	27	5.92	96.97
H26A68QDBL	59000	17312	5135	11.5	3.4	71775	4229	17.0	67350	4530	14.9	17.6	165	32	6.57	107.62
H26A72QDBL	61580	18069	5374	11.5	3.4	75143	4230	17.8	70790	4626	15.3	18.3	165	32	6.85	112.20
380/415 VOLTS - 3 Phase																
H26A32QDBE	26520	7782	2292	11.6	3.4	34548	1833	18.8	31875	1989	16.0	3.6	54	11	3.30	54.05
H26A35QDBE	29750	8729	2568	11.6	3.4	37993	1999	19.0	35530	2212	16.1	4.1	54	11	3.63	59.46
H26A38QDBE	32470	9527	2771	11.7	3.4	41639	2163	19.3	38726	2389	16.2	4.3	54	11	3.89	63.72
H26A42QDBE	35275	10350	3021	11.7	3.4	45220	2355	19.2	42160	2608	16.2	4.8	58	11	4.21	68.96
H26A46QDBE	39355	11548	3376	11.7	3.4	50384	2647	19.0	46665	2934	15.9	5.4	58	11	4.64	76.00
H26A50QDBE	41395	12146	3576	11.6	3.4	52291	2784	18.8	48875	3105	15.7	5.6	62	13	4.83	79.12
H26A54QDBE	44965	13194	3913	11.5	3.4	56731	3075	18.4	52700	3397	15.5	6.2	62	14	5.25	86.00
H26A56QDBE	47515	13942	4194	11.3	3.3	59204	3294	18.0	55000	3646	15.1	6.5	66	15	5.46	89.43
H26A62QDBE	51850	15214	4582	11.3	3.3	64550	3630	17.8	60350	3974	15.2	7.3	66	15	5.92	96.97
H26A68QDBE	59000	17312	5135	11.5	3.4	71991	4055	17.8	67820	4425	15.3	9.0	79	15	6.57	107.62
H26A72QDBE	61580	18069	5374	11.5	3.4	75143	4230	17.8	70790	4626	15.3	9.2	79	16	6.85	112.20
500 VOLTS - 3 Phase																
H26A35QDBF	29750	8729	2568	11.6	3.4	37989	1999	19.0	35530	2212	16.1	3.3	42	9	3.63	59.46
H26A38QDBF	32470	9527	2771	11.7	3.4	41639	2163	19.3	38726	2389	16.2	3.5	42	9	3.89	63.72
H26A42QDBF	35275	10350	3021	11.7	3.4	45220	2355	19.2	42160	2608	16.2	3.8	49	9	4.21	68.96
H26A46QDBF	39355	11548	3376	11.7	3.4	50389	2647	19.0	46665	2934	15.9	4.3	49	10	4.64	76.00
H26A50QDBF	41395	12146	3576	11.6	3.4	52291	2784	18.8	48875	3105	15.7	4.5	52	10	4.83	79.12
H26A54QDBF	44965	13194	3913	11.5	3.4	56731	3075	18.4	52700	3397	15.5	5.0	52	10	5.25	86.00
H26A56QDBF	47515	13942	4194	11.3	3.3	59204	3294	18.0	55000	3646	15.1	5.2	56	10	5.46	89.43
H26A68QDBF	59000	17312	5135	11.5	3.4	64550	3630	17.8	60350	3974	15.2	7.2	65	14	6.57	107.62
H26A72QDBF	61580	18069	5374	11.5	3.4	75143	4230	17.8	70790	4626	15.3	7.5	65	14	6.85	112.20

*Data Subject to Revision

**THE H26AQ SERIES IS BEING OBSOLETED.
THESE COMPRESSORS ARE BEING REPLACED WITH THE H20R/H21R SERIES COMPRESSORS.**

H26AQ SERIES

50 HZ

Model	Oil Charge		Weight				ELECTRICAL START COMPONENTS			DIMENSIONS						
	OZ	L	Net		Ship		Run Capacitor MFD/VOLTS	Start Capacitor MFD/VOLTS	G.E. Relay	*DIAGRAMS FOUND ON PAGE 66						
			Lbs	Kg	Lbs	Kg				A		B		C		
IN	MM	IN	MM	IN	MM											
220/200 VOLTS - 3 Phase																
H26A32QDBL	65	1.9	92.5	42.0	96.5	43.9	-Not Req'd	-Not Req'd	-Not Req'd	14.0	355.3	16.1	409.4	16.4	417.2	
H26A35QDBL	65	1.9	92.5	42.0	96.5	43.9	-Not Req'd	-Not Req'd	-Not Req'd	14.0	355.3	16.1	409.4	16.4	417.2	
H26A38QDBL	65	1.9	92.5	42.0	96.5	43.9	-Not Req'd	-Not Req'd	-Not Req'd	14.0	355.3	16.1	409.4	16.4	417.2	
H26A42QDBL	65	1.9	94.5	43.0	98.5	44.8	-Not Req'd	-Not Req'd	-Not Req'd	14.0	355.3	16.1	409.4	16.4	417.2	
H26A46QDBL	65	1.9	94.5	43.0	98.5	44.8	-Not Req'd	-Not Req'd	-Not Req'd	14.0	355.3	16.1	409.4	16.4	417.2	
H26A50QDBL	65	1.9	100.5	45.7	104.5	47.5	-Not Req'd	-Not Req'd	-Not Req'd	15.2	387.0	17.4	441.1	17.7	449.0	
H26A54QDBL	65	1.9	100.5	45.7	104.5	47.5	-Not Req'd	-Not Req'd	-Not Req'd	15.2	387.0	17.4	441.1	17.7	449.0	
H26A56QDBL	65	1.9	105.5	48.0	109.5	49.8	-Not Req'd	-Not Req'd	-Not Req'd	15.2	387.0	17.4	441.1	17.7	449.0	
H26A62QDBL	65	1.9	105.5	48.0	109.5	49.8	-Not Req'd	-Not Req'd	-Not Req'd	15.2	387.0	17.4	441.1	17.7	449.0	
H26A68QDBL	65	1.9	105.5	48.0	109.5	49.8	-Not Req'd	-Not Req'd	-Not Req'd	15.2	387.0	17.4	441.1	17.7	449.0	
H26A72QDBL	65	1.9	105.5	48.0	109.5	49.8	-Not Req'd	-Not Req'd	-Not Req'd	15.2	387.0	17.4	441.1	17.7	449.0	
380/415 VOLTS - 3 Phase																
H26A32QDBE	65	1.9	92.5	42.0	96.5	43.9	-Not Req'd	-Not Req'd	-Not Req'd	14.0	355.3	16.1	409.4	16.4	417.2	
H26A35QDBE	65	1.9	92.5	42.0	96.5	43.9	-Not Req'd	-Not Req'd	-Not Req'd	14.0	355.3	16.1	409.4	16.4	417.2	
H26A38QDBE	65	1.9	92.5	42.0	96.5	43.9	-Not Req'd	-Not Req'd	-Not Req'd	14.0	355.3	16.1	409.4	16.4	417.2	
H26A42QDBE	65	1.9	94.5	43.0	98.5	44.8	-Not Req'd	-Not Req'd	-Not Req'd	14.0	355.3	16.1	409.4	16.4	417.2	
H26A46QDBE	65	1.9	94.5	43.0	98.5	44.8	-Not Req'd	-Not Req'd	-Not Req'd	14.0	355.3	16.1	409.4	16.4	417.2	
H26A50QDBE	65	1.9	100.5	45.7	104.5	47.5	-Not Req'd	-Not Req'd	-Not Req'd	15.2	387.0	17.4	441.1	17.7	449.0	
H26A54QDBE	65	1.9	100.5	45.7	104.5	47.5	-Not Req'd	-Not Req'd	-Not Req'd	15.2	387.0	17.4	441.1	17.7	449.0	
H26A56QDBE	65	1.9	105.5	48.0	109.5	49.8	-Not Req'd	-Not Req'd	-Not Req'd	15.2	387.0	17.4	441.1	17.7	449.0	
H26A62QDBE	65	1.9	105.5	48.0	109.5	49.8	-Not Req'd	-Not Req'd	-Not Req'd	15.2	387.0	17.4	441.1	17.7	449.0	
H26A68QDBE	65	1.9	105.5	48.0	109.5	49.8	-Not Req'd	-Not Req'd	-Not Req'd	15.2	387.0	17.4	441.1	17.7	449.0	
H26A72QDBE	65	1.9	105.5	48.0	109.5	49.8	-Not Req'd	-Not Req'd	-Not Req'd	15.2	387.0	17.4	441.1	17.7	449.0	
500 VOLTS - 3 Phase																
H26A35QDBF	65	1.9	92.5	42.0	96.5	43.9	-Not Req'd	-Not Req'd	-Not Req'd	14.0	355.3	16.1	409.4	16.4	417.2	
H26A38QDBF	65	1.9	92.5	42.0	96.5	43.9	-Not Req'd	-Not Req'd	-Not Req'd	14.0	355.3	16.1	409.4	16.4	417.2	
H26A42QDBF	65	1.9	94.5	43.0	98.5	44.8	-Not Req'd	-Not Req'd	-Not Req'd	14.0	355.3	16.1	409.4	16.4	417.2	
H26A46QDBF	65	1.9	94.5	43.0	98.5	44.8	-Not Req'd	-Not Req'd	-Not Req'd	14.0	355.3	16.1	409.4	16.4	417.2	
H26A50QDBF	65	1.9	100.5	45.7	104.5	47.5	-Not Req'd	-Not Req'd	-Not Req'd	15.2	387.0	17.4	441.1	17.7	449.0	
H26A54QDBF	65	1.9	100.5	45.7	104.5	47.5	-Not Req'd	-Not Req'd	-Not Req'd	15.2	387.0	17.4	441.1	17.7	449.0	
H26A56QDBF	65	1.9	105.5	48.0	109.5	49.8	-Not Req'd	-Not Req'd	-Not Req'd	15.2	387.0	17.4	441.1	17.7	449.0	
H26A68QDBF	65	1.9	105.5	48.0	109.5	49.8	-Not Req'd	-Not Req'd	-Not Req'd	15.2	387.0	17.4	441.1	17.7	449.0	
H26A72QDBF	65	1.9	105.5	48.0	109.5	49.8	-Not Req'd	-Not Req'd	-Not Req'd	15.2	387.0	17.4	441.1	17.7	449.0	

**THE H26AQ SERIES IS BEING OBSOLETED.
THESE COMPRESSORS ARE BEING REPLACED WITH THE H20R/H21R SERIES COMPRESSORS.**

H25AQ SERIES

60 HZ

Model	@45/130				@45/100			@45/110			Electrical Data RLA LRA MCC			Displacement IN ³ /REV CM ³ /REV		
	Capacity BTU/H WATTS		Motor Input WATTS	EER/COP BTU/WH W/W	Capacity BTU/H	Motor Input WATTS	EER BTU/WH	Capacity BTU/H	Motor Input WATTS	EER BTU/WH						
230/208 VOLTS - 1 Phase																
H25A32QCBC	32000	9389	2805	11.4	3.3	39769	2209	18.0	37134	2411	15.4	12.0	87	25	3.30	54.12
H25A35QCBC	34900	10240	3050	11.4	3.4	43439	2411	18.0	40561	2631	15.4	13.6	87	28	3.63	59.52
H25A38QCBC	37900	11121	3315	11.4	3.4	47172	2618	18.0	44047	2858	15.4	14.7	87	30	3.89	63.78
H25A42QCBC	41800	12265	3655	11.4	3.4	52026	2888	18.0	48579	3153	15.4	16.4	105	34	4.21	68.99
H25A46QCBC	46100	13527	4030	11.4	3.4	57378	3185	18.0	53577	3477	15.4	18.0	105	36	4.64	75.95
H25A50QCBC	49000	14378	4285	11.4	3.4	60988	3385	18.0	56947	3695	15.4	19.0	135	38	4.83	79.05
H25A54QCBC	53500	15698	4675	11.4	3.4	66589	3696	18.0	62177	4035	15.4	20.7	135	42	5.25	86.01
H25A56QCBC	55600	16314	4945	11.2	3.3	69203	3909	17.7	64618	4268	15.1	22.0	135	44	5.46	89.48
H25A62QCBC	61000	17899	5430	11.2	3.3	75924	4289	17.7	70893	4682	15.1	24.6	147	48	5.92	97.02
230/200 VOLTS - 3 Phase																
H25A32QDBL	32000	9389	2775	11.5	3.4	39829	2191	18.2	37190	2391	15.6	8.8	110	22	3.30	54.12
H25A35QDBL	34900	10240	3025	11.5	3.4	43438	2389	18.2	40560	2608	15.6	9.6	110	22	3.63	59.52
H25A38QDBL	37900	11121	3285	11.5	3.4	47172	2594	18.2	44047	2832	15.6	10.3	110	22	3.89	63.78
H25A42QDBL	41800	12265	3620	11.5	3.4	52026	2861	18.2	48579	3124	15.6	11.9	130	22	4.21	68.99
H25A46QDBL	46100	13527	3995	11.5	3.4	57378	3156	18.2	53577	3445	15.6	12.6	130	23	4.64	75.95
H25A50QDBL	49000	14378	4245	11.5	3.4	60988	3354	18.2	56947	3661	15.6	13.0	137	25	4.83	79.05
H25A54QDBL	53500	15698	4635	11.5	3.4	66589	3663	18.2	62177	3998	15.6	14.0	137	25	5.25	86.01
H25A56QDBL	55600	16314	4900	11.3	3.3	69203	3874	17.9	64618	4229	15.3	14.5	150	26	5.46	89.48
H25A62QDBL	61000	17899	5375	11.3	3.3	75924	4249	17.9	70893	4639	15.3	16.0	150	27	5.92	97.02
460 VOLTS - 3 Phase																
H25A32QDBE	32000	9389	2775	11.5	3.4	39829	2191	18.2	37190	2391	15.6	4.5	54	10	3.30	54.12
H25A35QDBE	34900	10240	3025	11.5	3.4	43438	2389	18.2	40560	2608	15.6	4.7	54	10	3.63	59.52
H25A38QDBE	37900	11121	3285	11.5	3.4	47172	2594	18.2	44047	2832	15.6	5.1	54	11	3.89	63.78
H25A42QDBE	41800	12265	3620	11.5	3.4	52026	2861	18.2	48579	3124	15.6	5.7	64	11	4.21	68.99
H25A46QDBE	46100	13527	3995	11.5	3.4	57378	3156	18.2	53577	3445	15.6	6.4	64	11	4.64	75.95
H25A50QDBE	49000	14378	4245	11.5	3.4	60988	3354	18.2	56947	3661	15.6	6.5	69	13	4.83	79.05
H25A54QDBE	53500	15698	4635	11.5	3.4	66589	3663	18.2	62177	3998	15.6	7.0	69	14	5.25	86.01
H25A56QDBE	55600	16314	4900	11.3	3.3	69203	3874	17.9	64618	4229	15.3	7.3	75	15	5.46	89.48
H25A62QDBE	61000	17899	5375	11.3	3.3	75924	4249	17.9	70893	4639	15.3	8.0	75	15	5.92	97.02

H25AQ SERIES

50 HZ

220/200 VOLTS - 3 Phase																
H25A32QDBL	27200	7981	2360	11.5	3.4	33848	1861	18.2	31606	2032	15.6	7.4	115	22	3.30	54.12
H25A35QDBL	29670	8706	2570	11.5	3.4	36923	2031	18.2	34477	2217	15.6	8.1	115	22	3.63	59.52
H25A38QDBL	32220	9454	2790	11.5	3.4	40094	2205	18.2	37436	2407	15.6	8.8	115	22	3.89	63.78
H25A42QDBL	35530	10425	3080	11.5	3.4	44222	2432	18.2	41293	2655	15.6	10.0	138	22	4.21	68.99
H25A46QDBL	39185	11498	3395	11.5	3.4	51840	2851	18.2	48405	3112	15.6	11.7	138	23	4.64	75.95
H25A50QDBL	41650	12221	3610	11.5	3.4	51840	2851	18.2	48405	3112	15.6	12.1	145	25	4.83	79.05
H25A54QDBL	45475	13343	3940	11.5	3.4	56605	3114	18.2	52854	3399	15.5	13.2	145	25	5.25	86.01
H25A56QDBL	47260	13867	4165	11.3	3.3	58822	3293	17.9	54925	3594	15.3	13.5	157	26	5.46	89.48
H25A62QDBL	51850	15214	4570	11.3	3.3	64535	3612	17.9	60259	3943	15.3	14.9	157	27	5.92	97.02
380/415 VOLTS - 3 Phase																
H25A32QDBE	27200	7981	2360	11.5	3.4	33854	1862	18.2	31611	2033	15.5	4.1	54	11	3.30	54.12
H25A35QDBE	29670	8706	2570	11.5	3.4	36929	2031	18.2	34482	2217	15.6	4.5	54	11	3.63	59.52
H25A38QDBE	32215	9453	2790	11.5	3.4	40096	2205	18.2	37440	2407	15.6	4.8	54	11	3.89	63.78
H25A42QDBE	35530	10425	3080	11.5	3.4	44222	2432	18.2	41293	2655	15.6	5.6	58	11	4.21	68.99
H25A46QDBE	39185	11498	3395	11.5	3.4	48772	2683	18.2	45540	2928	15.6	5.9	58	11	4.64	75.95
H25A50QDBE	41650	12221	3610	11.5	3.4	51840	2851	18.2	48405	3112	15.6	6.1	62	13	4.83	79.05
H25A54QDBE	45475	13343	3940	11.5	3.4	56601	3113	18.2	52851	3399	15.5	6.6	62	14	5.25	86.01
H25A56QDBE	47260	13867	4165	11.3	3.3	58822	3293	17.9	54925	3594	15.3	6.8	66	15	5.46	89.48
H25A62QDBE	51850	15214	4570	11.3	3.3	64535	3612	17.9	60259	3943	15.3	7.5	66	15	5.92	97.02

*Data Subject to Revision

THE H25AQ SERIES IS BEING OBSOLETE.
THESE COMPRESSORS ARE BEING REPLACED WITH THE H20R/H21R SERIES COMPRESSORS.

H25AQ SERIES

60 HZ

Model	Oil Charge OZ L		Weight Net Ship Lbs Kg				ELECTRICAL START COMPONENTS			DIMENSIONS *DIAGRAMS FOUND ON PAGE 66						
							Run Capacitor MFD/VOLTS	Start Capacitor MFD/VOLTS	G.E. Relay	A		B		C		
										IN	MM	IN	MM	IN	MM	
230/208 VOLTS - 1 Phase																
H25A32QCBC	65	1.9	92	41.8	96.7	44.0	40/370	270-324/330	3ARR22*3S*	14.0	355.3	16.1	409.4	16.4	417.2	
H25A35QCBC	65	1.9	92	41.8	96.7	44.0	40/370	270-324/330	3ARR22*3S*	14.0	355.3	16.1	409.4	16.4	417.2	
H25A38QCBC	65	1.9	92	41.8	96.7	44.0	45/370	270-324/330	3ARR22*3S*	14.0	355.3	16.1	409.4	16.4	417.2	
H25A42QCBC	65	1.9	100	45.5	104.7	47.6	45/370	270-324/330	3ARR22*3P*	15.2	387.0	17.4	441.1	17.7	449.0	
H25A46QCBC	65	1.9	100	45.5	104.7	47.6	55/370	270-324/330	3ARR22*3P*	15.2	387.0	17.4	441.1	17.7	449.0	
H25A50QCBC	65	1.9	105	47.7	109.7	49.9	55/370	270-324/330	3ARR22*3N*	15.2	387.0	17.4	441.1	17.7	449.0	
H25A54QCBC	65	1.9	105	47.7	109.7	49.9	60/370	270-324/330	3ARR22*3N*	15.2	387.0	17.4	441.1	17.7	449.0	
H25A56QCBC	65	1.9	105	47.7	109.7	49.9	60/370	270-324/330	3ARR22*3N*	15.2	387.0	17.4	441.1	17.7	449.0	
H25A62QCBC	65	1.9	105	47.7	109.7	49.9	60/370	270-324/330	3ARR22*24R*	15.2	387.0	17.4	441.1	17.7	449.0	
230/200 VOLTS - 3 Phase																
H25A32QDBL	65	1.9	92	41.8	96.7	44.0	-Not Req'd	-Not Req'd	-Not Req'd	14.0	355.3	16.1	409.4	16.4	417.2	
H25A35QDBL	65	1.9	92	41.8	96.7	44.0	-Not Req'd	-Not Req'd	-Not Req'd	14.0	355.3	16.1	409.4	16.4	417.2	
H25A38QDBL	65	1.9	92	41.8	96.7	44.0	-Not Req'd	-Not Req'd	-Not Req'd	14.0	355.3	16.1	409.4	16.4	417.2	
H25A42QDBL	65	1.9	94	42.7	98.7	44.9	-Not Req'd	-Not Req'd	-Not Req'd	14.0	355.3	16.1	409.4	16.4	417.2	
H25A46QDBL	65	1.9	94	42.7	98.7	44.9	-Not Req'd	-Not Req'd	-Not Req'd	14.0	355.3	16.1	409.4	16.4	417.2	
H25A50QDBL	65	1.9	100	45.5	104.7	47.6	-Not Req'd	-Not Req'd	-Not Req'd	15.2	387.0	17.4	441.1	17.7	449.0	
H25A54QDBL	65	1.9	100	45.5	104.7	47.6	-Not Req'd	-Not Req'd	-Not Req'd	15.2	387.0	17.4	441.1	17.7	449.0	
H25A56QDBL	65	1.9	105	47.7	109.7	49.9	-Not Req'd	-Not Req'd	-Not Req'd	15.2	387.0	17.4	441.1	17.7	449.0	
H25A62QDBL	65	1.9	105	47.7	109.7	49.9	-Not Req'd	-Not Req'd	-Not Req'd	15.2	387.0	17.4	441.1	17.7	449.0	
460 VOLTS - 3 Phase																
H25A32QDBE	65	1.9	92	41.8	96.7	44.0	-Not Req'd	-Not Req'd	-Not Req'd	14.0	355.3	16.1	409.4	16.4	417.2	
H25A35QDBE	65	1.9	92	41.8	96.7	44.0	-Not Req'd	-Not Req'd	-Not Req'd	14.0	355.3	16.1	409.4	16.4	417.2	
H25A38QDBE	65	1.9	92	41.8	96.7	44.0	-Not Req'd	-Not Req'd	-Not Req'd	14.0	355.3	16.1	409.4	16.4	417.2	
H25A42QDBE	65	1.9	94	42.7	98.7	44.9	-Not Req'd	-Not Req'd	-Not Req'd	14.0	355.3	16.1	409.4	16.4	417.2	
H25A46QDBE	65	1.9	94	42.7	98.7	44.9	-Not Req'd	-Not Req'd	-Not Req'd	14.0	355.3	16.1	409.4	16.4	417.2	
H25A5																

H24A SERIES

60 HZ

Model	@45/130				@45/100			@45/110			Electrical Data RLA LRA MCC			Displacement IN ³ /REV CM ³ /REV		
	Capacity BTU/H WATTS		Motor Input WATTS	EER/COP BTU/WH W/W		Capacity BTU/H	Motor Input WATTS	EER BTU/WH	Capacity BTU/H	Motor Input WATTS						EER BTU/WH
230/208 VOLTS - 1 Phase																
H24A383ABC	39000	11443	3610	10.8	3.2	51103	2902	17.6	46900	3170	14.8	16.0	120	32.0	4.05	66.34
H24A423ABC	43000	12617	3950	10.9	3.2	55967	3200	17.5	51400	3500	14.7	18.0	120	32.0	4.43	72.56
H24A583CBC	56600	16607	5250	10.8	3.2	72400	4450	16.3	67700	4750	14.3	25.0	147	45.0	5.80	95.02
230/200 VOLTS - 3 Phase																
H24A383DBL	39000	11443	3490	11.2	3.3	51103	2844	18.0	46800	3075	15.2	11.0	110	22.0	4.05	66.34
H24A423DBL	43000	12617	3900	11.0	3.2	55307	3137	17.6	51800	3500	14.8	11.4	110	22.0	4.43	72.56
H24A583DBL	57500	16872	5310	10.8	3.2	73028	4361	16.7	67925	4714	14.4	15.0	114	25.0	5.80	95.09
460 VOLTS - 3 Phase																
H24A383DBE	39000	11443	3500	11.1	3.3	50439	2866	17.6	47000	3100	15.2	5.5	54	11.0	4.05	66.34
H24A423DBE	43000	12617	3900	11.0	3.2	55562	3175	17.5	51800	3500	14.8	5.9	54	11.0	4.43	72.56
H24A583DBE	57500	16872	5310	10.8	3.2	73028	4361	16.7	67925	4714	14.4	7.7	64	11.5	5.80	95.09
575 VOLTS - 3 Phase																
H24A383DBF	39000	11443	3500	11.1	3.3	50785	2936	17.3	47000	3100	15.2	4.3	44	9.0	4.05	66.34
H24A423DBF	43000	12617	3900	11.0	3.2	55307	3137	17.6	51800	3475	14.9	4.6	44	9.0	4.43	72.56

H24A SERIES

50 HZ

220/240 VOLTS - 1 Phase																
H24A383ABK	32300	9478	2970	10.9	3.2	41984	2397	17.5	38540	2620	14.7	14.4	99	27.0	4.05	66.34
H24A423ABK	36100	10592	3320	10.9	3.2	46761	2676	17.5	42930	2920	14.7	16.0	99	29.0	4.43	72.56
220/200 VOLTS - 3 Phase																
H24A383DBL	32600	9566	2900	11.2	3.3	42247	2273	18.6	39000	2520	15.5	10.7	115	22.0	4.05	66.34
H24A423DBL	36500	10710	3300	11.1	3.2	46761	2585	18.1	43500	2850	15.3	11.5	115	22.0	4.43	72.56
H24A583DBL	48800	14319	4390	11.1	3.3	61850	3495	17.7	57575	3805	15.1	14.2	126	23.0	5.80	95.09
380/415 VOLTS - 3 Phase																
H24A383DBE	32600	9566	2900	11.2	3.3	42247	2273	18.6	39000	2520	15.5	5.2	54	11.0	4.05	66.34
H24A423DBE	36500	10710	3300	11.1	3.2	46761	2585	18.1	43500	2850	15.3	5.7	54	11.0	4.43	72.56
H24A583DBE	48800	14319	4390	11.1	3.3	61851	3494	17.7	57578	3801	15.1	7.9	58	12.0	5.80	95.09
500 VOLTS - 3 Phase																
H24A383DBF	32600	9566	2900	11.2	3.3	42247	2273	18.6	39000	2520	15.5	4.3	42	9.0	4.05	66.34
H24A423DBF	36500	10710	3300	11.1	3.2	46761	2585	18.1	43500	2850	15.3	4.7	42	9.0	4.43	72.56

*Data Subject to Revision

H24A SERIES

60 HZ

Model	Oil Charge OZ L		Weight Net Ship Lbs Kg Lbs Kg				ELECTRICAL START COMPONENTS			DIMENSIONS *DIAGRAMS FOUND ON PAGE 66					
							Run Capacitor MFD/VOLTS	Start Capacitor MFD/VOLTS	G.E. Relay	A		B		C	
	IN	MM	IN	MM	IN	MM	IN	MM	IN	MM	IN	MM			
230/208 VOLTS - 1 Phase															
H24A383ABC	50	1.5	95	43.2	99.5	45.2	40/440	145-175/250	3ARR3*25U*	14	355.3	16.1	409.4	16.4	416.5
H24A423ABC	50	1.5	95	43.2	99.5	45.2	45/440	145-175/250	3ARR3*25U*	14	355.3	15.8	399.7	16.1	409.4
H24A583CBC	55	1.6	93.0	42.3	97.5	44.4	60/370	270-324/330	3ARR22*24R*	14	355.2	16.1	409.2	16.4	416.3
230/200 VOLTS - 3 Phase															
H24A383DBL	50	1.5	87.5	39.8	91.5	41.6	-Not Req'd	-Not Req'd	-Not Req'd	14	355.3	15.8	399.7	16.1	409.4
H24A423DBL	50	1.5	87.5	39.8	91.5	41.6	-Not Req'd	-Not Req'd	-Not Req'd	14	355.3	15.8	399.7	16.1	409.4
H24A583DBL	55	1.6	87.5	39.8	92.5	42.0	-Not Req'd	-Not Req'd	-Not Req'd	14	355.3	16.1	409.4	16.4	416.5
460 VOLTS - 3 Phase															
H24A383DBE	50	1.5	87.5	39.8	91.5	41.6	-Not Req'd	-Not Req'd	-Not Req'd	14	355.3	16.1	409.4	16.4	416.5
H24A423DBE	50	1.5	87.5	39.8	91.5	41.6	-Not Req'd	-Not Req'd	-Not Req'd	14	355.3	15.8	399.7	16.1	409.4
H24A583DBE	55	1.6	87.5	39.8	92.5	42.0	-Not Req'd	-Not Req'd	-Not Req'd	14	355.3	16.1	409.4	16.4	416.5
575 VOLTS - 3 Phase															
H24A383DBF	50	1.5	87.5	39.8	91.5	41.6	-Not Req'd	-Not Req'd	-Not Req'd	14	355.3	16.1	409.4	16.4	416.5
H24A423DBF	50	1.5	87.5	39.8	91.5	41.6	-Not Req'd	-Not Req'd	-Not Req'd	14	355.3	15.8	399.7	16.1	409.4

H24A SERIES

50 HZ

220/240 VOLTS - 1 Phase															
H24A383ABK	50	1.5	92.5	42.0	97.0	44.1	40/440	145-175/330	3ARR3*4AA*	14	355.3	15.6	394.9	16.1	409.4
H24A423ABK	50	1.5	92.5	42.0	97.0	44.1	40/440	145-175/330	3ARR3*4AA*	14	355.3	15.8	399.7	16.1	409.4
220/200 VOLTS - 3 Phase															
H24A383DBL	50	1.5	87.5	39.8	91.5	41.6	-Not Req'd	-Not Req'd	-Not Req'd	14	355.3	15.8	399.7	16.1	409.4
H24A423DBL	50	1.5	87.5	39.8	91.5	41.6	-Not Req'd	-Not Req'd	-Not Req'd	14	355.3	15.8	399.7	16.1	409.4
H24A583DBL	55	1.6	87.5	39.8	92.5	42.0	-Not Req'd	-Not Req'd	-Not Req'd	14	355.3	16.1	409.4	16.4	416.5
380/415 VOLTS - 3 Phase															
H24A383DBE	50	1.5	87.5	39.8	91.5	41.6	-Not Req'd	-Not Req'd	-Not Req'd	14	355.3	16.1	409.4	16.4	416.5
H24A423DBE	50	1.5	87.5	39.8	91.5	41.6	-Not Req'd	-Not Req'd	-Not Req'd	14	355.3	15.8	399.7	16.1	409.4
H24A583DBE	55	1.6	87.5	39.8	92.5	42.0	-Not Req'd	-Not Req'd	-Not Req'd	14	355.3	16.1	409.4	16.4	416.5
500 VOLTS - 3 Phase															
H24A383DBF	50	1.5	87.5	39.8	91.5	41.6	-Not Req'd	-Not Req'd	-Not Req'd	14	355.3	16.1	409.4	16.4	416.5
H24A423DBF	50	1.5	87.5	39.8	91.5	41.6	-Not Req'd	-Not Req'd	-Not Req'd	14	355.3	15.8	399.7	16.1	409.4

A FAMILY

A FAMILY

H23AQ SERIES

60 HZ

Model	@45/130					@45/100			@45/110			Electrical Data			Displacement	
	Capacity		Motor Input	EER/COP		Capacity	Motor Input	EER	Capacity	Motor Input	EER					
	BTU/H	WATTS	WATTS	BTU/WH	W/W	BTU/H	WATTS	BTU/WH	BTU/H	WATTS	BTU/WH					
230/208 VOLTS - 1 Phase																
H23A35QABC	34450	10108	3460	10.0	2.9	45011	2910	15.5	41610	3120	13.3	16.3	87	27.5	3.78	61.92
H23A38QABC	37750	11077	3780	10.0	2.9	48705	3143	15.5	45144	3365	13.4	17.5	97	30.0	4.05	66.34
H23A42QABC	42270	12403	4225	10.0	2.9	54060	3577	15.1	50411	3817	13.2	19.7	110	31.2	4.43	72.56
H23A46QABC	46330	13594	4675	9.9	2.9	58774	3974	14.8	54900	4220	13.0	21.5	118	36.4	4.75	77.81
H23A50QABC	50700	14876	5050	10.0	2.9	63490	4259	14.9	60000	4570	13.1	22.8	138	40.0	5.17	84.68
H23A54QABC	54600	16021	5520	9.9	2.9	68715	4600	14.9	64460	4985	12.9	25.1	138	45.0	5.55	90.91
H23A56QABC	54580	16015	5570	9.8	2.9	69258	4826	14.4	65000	5130	12.7	25.5	142	45.0	5.66	92.71
H23A62QABC	61600	18075	6360	9.7	2.8	77435	5420	14.3	72270	5770	12.5	29.0	178	47.0	6.17	101.06
230/200 VOLTS - 3 Phase																
H23A35QDBL	35300	10358	3390	10.4	3.1	45707	2804	16.3	42500	3030	14.0	9.8	70	18.0	3.78	61.92
H23A38QDBL	38000	11150	3650	10.4	3.1	49450	3092	16.0	45800	3300	13.9	10.7	78	20.0	4.05	66.34
H23A42QDBL	42520	12476	4090	10.4	3.1	54267	3457	15.7	50550	3700	13.7	11.7	78	20.0	4.43	72.56
H23A46QDBL	45450	13336	4560	10.0	2.9	57213	3896	14.7	53250	4145	12.8	13.0	90	24.0	4.75	77.81
H23A50QDBL	49800	14612	4935	10.1	3.0	63869	4128	15.5	59100	4468	13.2	14.3	106	25.0	5.17	84.68
H23A54QDBL	53500	15698	5360	10.0	2.9	68604	4582	15.0	63300	4860	13.0	15.4	106	27.0	5.55	90.91
H23A56QDBL	54980	16132	5500	10.0	2.9	69207	4682	14.8	64300	4920	13.1	15.8	124	30.0	5.66	92.71
H23A62QDBL	59250	17385	6400	9.3	2.7	74617	5483	13.6	69600	5810	12.0	18.0	124	32.0	6.17	101.06
460 VOLTS - 3 Phase																
H23A35QDBE	34450	10108	3350	10.3	3.0	45380	2802	16.2	41850	3020	13.9	4.9	35	8.3	3.78	61.92
H23A38QDBE	38000	11150	3725	10.2	3.0	49278	3111	15.8	45510	3330	13.7	5.2	39	9.5	4.05	66.34
H23A42QDBE	42300	12412	4150	10.2	3.0	53555	3478	15.4	50380	3730	13.5	5.8	39	9.5	4.43	72.56
H23A46QDBE	45160	13251	4440	10.2	3.0	57484	3803	15.1	54600	4050	13.5	6.4	45	13.0	4.75	77.81
H23A50QDBE	50120	14706	4960	10.1	3.0	62922	4217	14.9	59294	4480	13.2	7.1	53	12.5	5.17	84.68
H23A54QDBE	53100	15581	5400	9.8	2.9	67163	4587	14.6	62700	4880	12.8	7.7	53	14.0	5.55	90.91
H23A56QDBE	54689	16047	5545	9.9	2.9	69750	4773	14.6	64514	5045	12.8	7.7	62	15.0	5.66	92.71
H23A62QDBE	58890	17280	6200	9.5	2.8	73815	5292	13.9	69120	5630	12.3	8.7	62	16.0	6.17	101.06

H23AQ SERIES

50 HZ

220/240 VOLTS - 1 Phase																
H23A35QABK	28800	8451	3030	9.5	2.8	37778	2421	15.6	35000	2630	13.3	14.6	87	27.5	3.78	61.92
H23A38QABK	31200	9155	3105	10.0	2.9	40612	2522	16.1	37700	2740	13.8	14.9	82	28.0	4.05	66.29
H23A42QABK	35350	10372	3570	9.9	2.9	45457	2890	15.7	42150	3145	13.4	17.1	110	31.2	4.43	72.56
H23A46QABK	38900	11414	3930	9.9	2.9	49023	3174	15.4	46000	3460	13.3	19.6	100	33.0	4.75	77.81
220/200 VOLTS - 3 Phase																
H23A35QDBL	29590	8682	2870	10.3	3.0	39062	2360	16.6	35889	2557	14.0	9.7	76	18.0	3.78	61.92
H23A38QDBL	32640	9577	2870	11.4	3.3	42347	2602	16.3	39183	2800	14.0	11.0	82	20.0	4.04	66.18
H23A42QDBL	36066	10583	3510	10.3	3.0	46272	2825	16.4	42837	3099	13.8	11.8	82	20.0	4.43	72.56
H23A46QDBL	38000	11150	3870	9.8	2.9	48999	3220	15.2	45300	3430	13.2	14.0	90	24.0	4.75	77.81
H23A50QDBL	41590	12203	4155	10.0	2.9	54478	3478	15.7	50021	3719	13.5	14.7	106	25.0	5.17	84.68
H23A54QDBL	45380	13315	4540	10.0	2.9	58452	3741	15.6	53748	4059	13.2	15.7	106	25.0	5.55	90.91
H23A56QDBL	47470	13929	4765	10.0	2.9	60664	3932	15.4	55794	4241	13.2	16.3	124	30.0	5.66	92.71
H23A62QDBL	50000	14671	5210	9.6	2.8	63818	4427	14.4	58950	4670	12.6	17.0	124	32.0	6.17	101.06
380/415 VOLTS - 3 Phase																
H23A35QDBE	29400	8627	2880	10.2	3.0	45380	2804	16.2	35650	2513	14.2	5.0	35	8.3	3.78	61.92
H23A38QDBE	31200	9155	3033	10.3	3.0	40798	2533	16.1	37700	2695	14.0	5.3	39	9.5	4.05	66.29
H23A42QDBE	35050	10284	3470	10.1	3.0	45166	2873	15.7	41940	3060	13.7	5.6	39	9.5	4.43	72.56
H23A46QDBE	38650	11341	3830	10.1	3.0	49306	3137	15.7	45550	3375	13.5	6.4	45	13.0	4.75	77.81
H23A50QDBE	40500	11884	4130	9.8	2.9	52937	3336	15.9	48700	3660	13.3	6.9	53	12.5	5.17	84.68
H23A54QDBE	43650	12808	4454	9.8	2.9	56672	3675	15.4	52450	3958	13.3	7.5	53	12.5	5.55	90.91
H23A56QDBE	45050	13219	4505	10	2.9	57486	3762	15.3	53500	3990	13.4	7.5	62	14.0	5.66	92.71
H23A62QDBE	50000	14671	5210	9.6	2.8	63430	4266	14.9	58250	4520	12.9	8.5	62	16.0	6.17	101.06

H23AQ SERIES

60 HZ

Model	OIL CHARGE					WEIGHT				ELECTRICAL START COMPONENTS			DIMENSIONS					
	Oil Charge		Net	Ship		Run Capacitor	Start Capacitor	G.E. Relay	*DIAGRAMS FOUND ON PAGE 66									
	OZ	L		Lbs	Kg				Lbs	Kg	MFD/VOLTS	MFD/VOLTS		A	B	C		
											IN	MM	IN	MM	IN	MM		
230/208 VOLTS - 1 Phase																		
H23A35QABC	50	1.5	74.0	33.6	78.5	35.7	35/440	145-175/250	3ARR3*4A*	12.5	317.2	14.6	371.3	14.9	378.4			
H23A38QABC	50	1.5	78.0	35.5	82.5	37.5	35/440	145-175/250	3ARR3*4A*	12.5	317.2	14.6	371.3	14.9	378.4			
H23A42QABC	50	1.5	78.0	35.5	82.5	37.5	40/440	145-175/250	3ARR3*4A*	12.5	317.2	14.6	371.3	14.9	378.4			
H23A46QABC	55	1.6	81.0	36.8	85.5	38.9	40/440	135-155/330	3ARR3*4A*	12.5	317.2	14.6	371.3	14.9	378.4			
H23A50QABC	55	1.6	87.5	39.8	92.0	41.8	40/440	135-155/330	3ARR3*4A*	14.0	355.3	16.1	409.4	16.4	416.5			
H23A54QABC	55	1.6	87.5	39.8	92.0	41.8	45/440	135-155/330	3ARR3*4A*	14.0	355.3	16.1	409.4	16.4	416.5			
H23A56QABC	55	1.6	91.0	41.4	95.5	43.4	55/440	135-155/330	3ARR3*6U*	14.0	355.3	16.1	409.4	16.4	416.5			
H23A62QABC	55	1.6	93.0	42.3	97.5	44.3	55/440	135-155/330	3ARR3*4A*	14.0	355.3	16.1	409.4	16.4	416.5			
230/200 VOLTS - 3 Phase																		
H23A35QDBL	50	1.5	73.0	33.2	77.5	35.2	-Not Req'd	-Not Req'd	-Not Req'd	12.5	317.2	14.6	371.3	14.9	378.4			
H23A38QDBL	50	1.5	74.0	33.6	78.5	35.7	-Not Req'd	-Not Req'd	-Not Req'd	12.5	317.2	14.6	371.3	14.9	378.4			
H23A42QDBL	50	1.5	74.0	33.6	78.5	35.7	-Not Req'd	-Not Req'd	-Not Req'd	12.5	317.2	14.6	371.3	14.9	378.4			
H23A46QDBL	55	1.6	74.0	33.6	78.5	35.7	-Not Req'd	-Not Req'd	-Not Req'd	12.5	317.2	14.6	371.3	14.9	378.4			
H23A50QDBL	55	1.6	79.5	36.1	84.0	38.2	-Not Req'd	-Not Req'd	-Not Req'd	14.0	355.3	16.1	409.4	16.4	416.5			
H23A54QDBL	55	1.6	79.5	36.1	84.0	38.2	-Not Req'd	-Not Req'd	-Not Req'd	14.0	355.3	16.1	409.4	16.4	416.5			
H23A56QDBL	55	1.6	83.0	37.7	87.5	39.8	-Not Req'd	-Not Req'd	-Not Req'd	14.0	355.3	16.1	409.4	16.4	416.5			
H23A62QDBL	55	1.6	85.0	38.6	88.0	40.0	-Not Req'd	-Not Req'd	-Not Req'd	14.0	355.3	16.1	409.4	16.4	416.5			
460 VOLTS - 3 Phase																		
H23A35QDBE	50	1.5	74.0	33.6	78.5	35.7	-Not Req'd	-Not Req'd	-Not Req'd	12.5	317.2	14.6	371.3	14.9	378.4			
H23A38QDBE	50	1.5	74.0	33.6	78.5	35.7	-Not Req'd	-Not Req'd	-Not Req'd	12.5	317.2	14.6	371.3	14.9	378.4			
H23A42QDBE	50	1.5	74.0	33.6	78.5	35.7	-Not Req'd	-Not Req'd	-Not Req'd	12.5	317.2	14.6	371.3	14.9	378.4			
H23A46QDBE	55	1.6	74.0	33.6	78.5	35.7	-Not Req'd	-Not Req'd	-Not Req'd	12.5	317.2	14.6	371.3	14.9	378.4			
H23A50QDBE	55	1.6	79.5	36.1	84.0	38.2	-Not Req'd	-Not Req'd	-Not Req'd	14.0	355.3	16.1	409.4	16.4	416.5			
H23A54QDBE	55	1.6	79.5	36.1	84.0	38.2	-Not Req'd	-Not Req'd	-Not Req'd	14.0	355.3	16.1	409.4	16.4	416.5			
H23A56QDBE	55	1.6	83.0	37.7	87.5	39.												

H23A SERIES

60 HZ

Model	@45/130					@45/100			@45/110			Electrical Data RLA LRA MCC			Displacement IN/REV CM/REV		
	Capacity BTU/H WATTS		Motor Input WATTS	EER/COP BTU/WH W/W		Capacity BTU/H	Motor Input WATTS	EER	Capacity BTU/H	Motor Input WATTS	EER						
230/208 VOLTS - 1 Phase																	
H23A263ABC	26300	7717	2550	10.3	3.0	35946	2071	17.4	32220	2206	14.6	11.4	66	22.0	3.01	49.30	
H23A283ABC	27500	8069	2680	10.3	3.0	37240	2225	16.7	33875	2366	14.3	12.4	76	22.5	3.16	51.76	
H23A303ABC	29200	8568	2870	10.2	3.0	39040	2351	16.6	35607	2524	14.1	13.0	81	24.0	3.28	53.73	
H23A323ABC	31700	9301	3080	10.3	3.0	41896	2517	16.6	38111	2685	14.2	13.9	81	24.1	3.53	57.82	
H23A353ABC	34900	10240	3440	10.1	3.0	45649	2831	16.1	41754	3012	13.9	15.9	87	27.5	3.78	61.92	
H23A383ABC	37900	11121	3690	10.3	3.0	49082	3031	16.2	45130	3232	14.0	17.0	97	30.0	4.05	66.34	
H23A423ABC	42100	12353	4060	10.4	3.0	53859	3362	16.0	49820	3565	14.0	18.7	110	31.2	4.43	72.56	
H23A463ABC	46300	13585	4490	10.3	3.0	58855	3745	15.7	54570	4070	13.4	21.6	118	36.4	4.75	77.81	
H23A503ABC	49000	14378	4890	10.0	2.9	63991	3978	16.1	59189	4333	13.7	22.3	138	40.0	5.17	84.68	
H23A543ABC	53400	15669	5360	10.0	2.9	68387	4456	15.3	63061	4844	13.0	24.4	138	45.0	5.55	90.91	
H23A563ABC	55600	16314	5480	10.1	3.0	71287	4567	15.6	66028	5011	13.2	24.6	142	45.0	5.66	92.71	
H23A623ABC	60800	17840	6080	10	2.9	78211	5062	15.5	71127	5453	13.0	28.2	178	47.0	6.17	101.06	
265 VOLTS - 1 Phase																	
H23A263ABH	26300	7717	2580	10.2	3.0	35946	2095	17.2	32220	2233	14.4	10.8	62	19.0	3.01	49.30	
H23A303ABH	29300	8597	2880	10.2	3.0	39107	2359	16.6	35667	2533	14.1	11.6	72	22.0	3.28	53.73	
H23A323ABH	31700	9301	3140	10.1	3.0	41896	2566	16.3	38111	2737	13.9	12.3	72	22.0	3.53	57.82	
H23A353ABH	34600	10152	3490	9.9	2.9	45256	2876	15.7	41399	3061	13.5	14.3	78	24.0	3.78	61.92	
230/200 VOLTS - 3 Phase																	
H23A263DBL	26000	7629	2570	10.1	3.0	35536	2087	17.0	31853	2224	14.3	7.4	50	14.0	3.01	49.30	
H23A303DBL	29200	8568	2850	10.2	3.0	39040	2330	16.8	35607	2502	14.2	8.8	70	16.0	3.28	53.73	
H23A323DBL	31700	9301	3060	10.4	3.0	41896	2468	17.0	38111	2645	14.4	9.3	70	16.0	3.53	57.82	
H23A353DBL	34900	10240	3390	10.3	3.0	45649	2756	16.6	41754	2946	14.2	9.6	70	18.0	3.78	61.92	
H23A383DBL	37900	11121	3650	10.4	3.0	49082	2966	16.5	45130	3176	14.2	10.4	78	20.0	4.05	66.34	
H23A423DBL	42100	12353	4040	10.4	3.1	53859	3308	16.3	49820	3523	14.1	11.7	78	20.0	4.43	72.56	
H23A463DBL	46300	13585	4430	10.5	3.1	58855	3669	16.0	54570	3998	13.6	12.6	90	24.0	4.75	77.81	
H23A503DBL	49000	14378	4890	10.0	2.9	63991	3978	16.1	59189	4333	13.7	13.7	106	25.0	5.17	84.68	
H23A543DBL	53400	15669	5270	10.1	3.0	68387	4351	15.7	63061	4743	13.3	14.5	106	27.0	5.55	90.91	
H23A563DBL	55600	16314	5390	10.3	3.0	71287	4464	16.0	66029	4917	13.4	15.3	124	30.0	5.66	92.71	
H23A623DBL	60800	17840	5990	10.2	3.0	78211	4963	15.8	71127	5360	13.3	17	124	32.0	6.17	101.06	
380/460 VOLTS - 3 Phase																	
H23A423DBW	42500	12470	4050	10.5	3.1	54612	3322	16.4	51020	3580	14.3	6.7	44	11.0	4.43	72.56	
460 VOLTS - 3 Phase																	
H23A263DBE	26000	7629	2600	10	2.9	35536	2111	16.8	31853	2249	14.2	3.8	30	8.0	3.01	49.30	
H23A303DBE	29200	8568	2830	10.3	3.0	39079	2306	16.9	35819	2518	14.2	4.3	30	8.0	3.28	53.73	
H23A323DBE	31700	9301	3060	10.4	3.0	41977	2468	17.0	38111	2645	14.4	4.6	30	8.0	3.53	57.82	
H23A353DBE	34900	10240	3390	10.3	3.0	45649	2756	16.6	41754	2946	14.2	5.0	35	8.3	3.78	61.92	
H23A383DBE	37900	11121	3650	10.4	3.0	49082	2966	16.5	45130	3176	14.2	5.5	39	9.5	4.05	66.34	
H23A423DBE	42100	12353	4040	10.4	3.1	53859	3308	10.1	49820	3523	14.1	5.7	39	9.5	4.43	72.56	
H23A463DBE	46300	13585	4430	10.5	3.1	58855	3669	16.0	54570	3958	13.8	6.3	45	13.0	4.75	77.81	
H23A503DBE	49000	14378	4890	10.0	2.9	63991	3978	16.1	59189	4333	13.7	6.8	53	12.5	5.17	84.68	
H23A543DBE	53400	15669	5270	10.1	3.0	68387	4351	15.7	63061	4743	13.3	7.5	53	14.0	5.55	90.91	
H23A563DBE	55600	16314	5390	10.3	3.0	71287	4464	16.0	66029	4917	13.4	8.0	62	15.0	5.66	92.71	
H23A583DBE	58400	17111	5550	10.5	3.1	74500	4626	16.1	68950	4980	13.9	7.9	62	15.0	5.92	97.06	
H23A623DBE	60800	17840	5990	10.2	3.0	78211	4963	15.8	71127	5360	13.3	8.8	62	16.0	6.17	101.06	
575 VOLTS - 3 Phase																	
H23A383DBF	37900	11121	3650	10.4	3.0	49082	2966	16.5	45130	3176	14.2	4.2	36	8.0	4.05	66.34	
H23A423DBF	42100	12353	4040	10.4	3.1	53859	3308	16.3	49820	3523	14.1	4.6	36	8.0	4.43	72.56	
H23A463DBF	46300	13585	4430	10.5	3.1	58855	3669	16.0	54570	3998	13.6	5.0	36	10.0	4.75	77.81	
H23A503DBF	49000	14378	4890	10.0	2.9	63991	3978	16.1	59189	4333	13.7	5.5	43	9.0	5.17	84.68	
H23A543DBF	53400	15669	5270	10.1	3.0	68387	4351	15.7	63061	4743	13.3	5.8	43	10.0	5.55	90.91	
H23A563DBF	55600	16314	5390	10.3	3.0	71287	4464	16.0	66029	4917	13.4	6.1	50	12.0	5.66	92.71	
H23A623DBF	60800	17840	5990	10.2	3.0	78211	4963	15.8	71127	5360	13.3	6.8	50	13.0	6.17	101.06	

H23A SERIES

60 HZ

Model	Oil Charge OZ L		Weight Net Ship Lbs Kg Lbs Kg				ELECTRICAL START COMPONENTS			DIMENSIONS *DIAGRAMS FOUND ON PAGE 66					
							Run Capacitor MFD/VOLTS	Start Capacitor MFD/VOLTS	G.E. Relay	A		B		C	
	IN	MM	IN	MM	IN	MM									
230/208 VOLTS - 1 Phase															
H23A263ABC	50	1.5	71.5	32.5	76.0	34.5	35/370	88-108/250	3ARR3*24P*	12.5	317.2	14.6	371.3	14.9	378.4
H23A283ABC	50	1.5	71.5	32.5	76.0	34.5	35/370	145-175/250	3ARR3*10S*	12.5	317.2	14.6	371.3	14.9	378.4
H23A303ABC	50	1.5	73.5	33.4	78.0	35.5	40/370	145-175/250	3ARR3*10S*	12.5	317.2	14.6	371.3	14.9	378.4
H23A323ABC	50	1.5	73.5	33.4	78.0	35.5	40/370	145-175/250	3ARR3*10S*	12.5	317.2	14.6	371.3	14.9	378.4
H23A353ABC	50	1.5	74.0	33.6	78.5	35.7	35/440	145-175/250	3ARR3*4A*	12.5	317.2	14.6	371.3	14.9	378.4
H23A383ABC	50	1.5	78.0	35.5	82.5	37.5	35/440	145-175/250	3ARR3*4A*	12.5	317.2	14.6	371.3	14.9	378.4
H23A423ABC	50	1.5	78.0	35.5	82.5	37.5	40/440	145-175/250	3ARR3*4A*	12.5	317.2	14.6	371.3	14.9	378.4
H23A463ABC	55	1.6	81.0	36.8	85.5	38.9	40/440	135-155/330	3ARR3*4A*	12.5	317.2	14.6	371.3	14.9	378.4
H23A503ABC	55	1.6	87.5	39.8	92.0	41.8	40/440	135-155/330	3ARR3*4A*	14.0	355.3	16.1	409.4	16.4	416.5
H23A543ABC	55	1.6	87.5	39.8	92.0	41.8	45/440	135-155/330	3ARR3*4A*	14.0	355.3	16.1	409.4	16.4	416.5
H23A563ABC	55	1.6	91.0	41.4	95.5	43.4	55/440	135-155/330	3ARR3*6U*	14.0	355.3	16.1	409.4	16.4	416.5
H23A623ABC	55	1.6	93.0	42.3	97.5	44.3	55/440	135-155/330	3ARR3*4A*	14.0	355.3	16.1	409.4	16.4	416.5
265 VOLTS - 1 Phase															
H23A263ABH	50	1.5	71.5	32.5	76.0	34.5	25/440	145-175/330	3ARR3*25B*	12.5	317.2	14.6	371.3	14.9	378.4
H23A303ABH	50	1.5	71.5	32.5	76.0	34.5	25/440	145-175/250	3ARR3*25B*	12.5	317.2	14.6	371.3	14.9	378.4
H23A323ABH	50	1.5	73.5	33.4	78.0	35.5	35/440	145-175/330	3ARR3*25A*	12.5	317.2	14.6	371.3	14.9	378.4
H23A353ABH	50	1.5	74.0	33.6	78.5	35.7	25/440	145-175/330	3ARR3*10D*	12.5	317.2	14.6	371.3	14.9	378.4
230/200 VOLTS - 3 Phase															
H23A263DBL	50	1.5	72.0	32.7	76.5	34.8	-Not Req'd	-Not Req'd	-Not Req'd	12.5	317.2	14.6	371.3	14.9	378.4
H23A303DBL	50	1.5	72.0	32.7	76.5	34.8	-Not Req'd	-Not Req'd	-Not Req'd	12.5	317.2	14.6	371.3	14.9	378.4
H23A323DBL	50	1.5	72.0	32.7	76.5	34.8	-Not Req'd	-Not Req'd	-Not Req'd	12.5	317.2	14.6	371.3	14.9	378.4
H23A353DBL	50	1.5	73.0	33.2	77.5	35.2	-Not Req'd	-Not Req'd	-Not Req'd	12.5	317.2	14.6	371.3	14.9	378.4
H23A383DBL	50	1.5	74.0	33.6	78.5	35.7	-Not Req'd	-Not Req'd	-Not Req'd	12.5	317.2	14.6	371.3	14.9	378.4
H23A423DBL	50	1.5	74.0	33.6	78.5	35.7	-Not Req'd	-Not Req'd	-Not Req'd	12.5	317.2	14.6	371.3	14.9	378.4
H23A4															

H23A SERIES

50 HZ

Model	@45/130					@45/100					@45/110					Electrical Data RLA LRA MCC			Displacement IN ³ /REV CM ³ /REV	
	Capacity		Motor Input	EER/COP		Capacity		Motor Input	EER		Capacity		Motor Input	EER						
	BTU/H	WATTS	WATTS	BTU/WH	W/W	BTU/H	WATTS	BTU/WH	BTU/H	WATTS	BTU/WH	BTU/H	WATTS	BTU/WH	BTU/H	WATTS	BTU/WH			
220/240 VOLTS - 1 Phase																				
H23A263ABH	21800	6397	2170	10.0	2.9	29684	1763	16.8	26611	1879	14.2	10.6	62	18.0	3.01	49.30				
H23A283ABK	22250	6529	2240	9.9	2.9	30323	1878	16.1	27395	1980	13.8	11.0	62	20.0	3.16	51.76				
H23A303ABH	24000	7042	2430	9.9	2.9	32068	1988	16.1	29247	2134	13.7	11.4	62	20.0	3.28	53.73				
H23A323ABH	26100	7658	2640	9.9	2.9	34493	2157	16.0	31378	2301	13.6	12.5	72	22.0	3.52	57.66				
H23A353ABH	28590	8389	2920	9.8	2.9	37413	2402	15.6	34221	2556	13.4	13.8	78	24.0	3.78	61.92				
H23A383ABK	32400	9507	3220	10.1	3.0	41961	2644	15.9	38583	2820	13.7	15.5	82	28.0	4.05	66.34				
H23A423ABK	35000	10270	3420	10.2	3.0	44757	2810	15.9	41400	3000	13.8	17.0	90	28.0	4.43	72.56				
H23A463ABK	39400	11561	3745	10.5	3.1	50071	2991	16.7	46420	3265	14.2	18.8	100	33.0	4.75	77.81				
230/208 VOLTS - 1 Phase																				
H23A263ABJ	21850	6411	2185	10.0	2.9	29817	1771	16.8	26724	1887	14.2	10.7	62	18.0	3.01	49.30				
H23A353ABJ	29480	8650	2830	10.4	3.1	38503	2327	16.5	35370	2470	14.3	13.9	84	23.0	3.78	61.92				
H23A383ABJ	32230	9457	3080	10.5	3.1	41833	2499	16.7	38250	2690	14.2	16.2	107	31.7	4.05	66.34				
220/200 VOLTS - 3 Phase																				
H23A263DBL	21770	6388	2140	10.2	3.0	29701	1739	17.1	26626	1853	14.4	7.0	55	14.0	3.01	49.30				
H23A303DBL	24200	7101	2400	10.1	3.0	32357	1964	16.5	29511	2109	14.0	9.0	76	16.0	3.28	53.73				
H23A323DBL	26800	7864	2650	10.1	3.0	35419	2137	16.6	32224	2290	14.1	9.4	76	16.0	3.52	57.66				
H23A353DBL	28950	8495	2880	10.1	2.9	37678	2340	16.1	34660	2503	13.8	10.0	76	18.0	3.78	61.92				
H23A383DBL	32000	9389	3140	10.2	3.0	41440	2544	16.3	38107	2724	14.0	10.7	76	20.0	4.05	66.34				
H23A423DBL	35500	10416	3390	10.5	3.1	45414	2754	16.5	42012	2951	14.2	11.2	78	20.0	4.43	72.56				
H23A463DBL	39700	11649	3850	10.3	3.0	50179	3173	15.8	46746	3434	13.6	12.7	90	24.0	4.75	77.81				
H23A503DBL	42380	12435	4310	9.8	2.9	55352	3506	15.8	51199	3819	13.4	14.7	106	25.0	5.17	84.68				
H23A543DBL	46500	13644	4580	10.2	3.0	59658	3808	15.7	54930	4131	13.3	15.1	106	25.0	5.55	90.91				
H23A563DBL	47500	13938	4640	10.2	3.0	60910	3839	15.9	56412	4237	13.3	16.0	124	30.0	5.66	92.71				
H23A623DBL	52300	15346	5100	10.3	3.0	67283	4247	15.8	61187	4568	13.4	18.0	124	32.0	6.17	101.06				
380/415 VOLTS - 3 Phase																				
H23A263DBE	21615	6342	2220	9.7	2.9	29481	1801	16.4	26421	1919	13.8	3.8	30	8.0	3.01	49.30				
H23A303DBE	23900	7013	2340	10.2	3.0	32065	1910	16.8	29390	2086	14.1	4.1	30	8.0	3.28	53.73				
H23A323DBE	26770	7855	2580	10.4	3.0	32065	1910	16.8	29390	2086	14.1	4.3	30	8.0	3.52	57.66				
H23A353DBE	28960	8497	2820	10.3	3.0	37678	2292	16.4	34660	2451	14.1	5.0	35	8.3	3.78	61.92				
H23A383DBE	31410	9216	3050	10.3	3.0	40665	2471	16.5	37392	2646	14.1	5.2	39	9.5	4.05	66.34				
H23A423DBE	35200	10328	3430	10.3	3.0	45031	2786	16.2	41655	2987	13.9	5.8	39	9.5	4.43	72.56				
H23A463DBE	39000	11443	3820	10.2	3.0	49287	3152	15.6	45925	3430	13.4	6.3	45	13.0	4.75	77.81				
H23A503DBE	42200	12382	4210	10.0	2.9	55090	3423	16.1	50956	3728	13.7	6.6	53	12.5	5.17	84.68				
H23A543DBE	45925	13475	4440	10.3	3.0	58889	3684	16.0	54226	3995	13.6	7.2	53	12.5	5.55	90.91				
H23A563DBE	47500	13938	4560	10.4	3.1	60910	3769	16.2	56412	4162	13.6	7.5	62	14.0	5.66	92.71				
H23A583DBE	49200	14400	4650	10.6	3.1	62900	3736	16.9	58400	4022	14.5	7.7	62	15.0	5.92	97.06				
H23A623DBE	51800	15199	5000	10.4	3.0	66639	4164	16.0	60608	4477	13.5	8.2	62	16.0	6.17	101.06				
500 VOLTS - 3 Phase																				
H23A383DBF	31680	9296	3095	10.2	3.0	41033	2515	16.3	37730	2690	14.0	4.2	36	8.0	4.05	66.34				
H23A423DBF	35200	10328	3430	10.3	3.0	45008	2804	16.1	41655	2987	13.9	4.6	36	8.0	4.43	72.56				
H23A463DBF	39000	11443	3820	10.2	3.0	49289	3152	15.6	45925	3430	13.4	4.9	36	10.0	4.75	77.81				
H23A503DBF	42200	12382	4210	10.0	2.9	55090	3423	16.1	50956	3728	13.7	5.4	43	9.0	5.17	84.68				
H23A543DBF	45900	13468	4440	10.3	3.0	58889	3684	16.0	54226	3995	13.6	5.7	43	10.0	5.55	90.91				
H23A563DBF	47500	13938	4560	10.4	3.1	60910	3769	16.2	56412	4162	13.6	6.1	50	12.0	5.66	92.71				
H23A623DBF	51800	15199	5000	10.4	3.0	66639	4164	16.0	60608	4477	13.5	6.5	50	13.0	6.17	101.06				

*Data Subject to Revision

H23A SERIES

50 HZ

Model	Oil Charge OZ L		Weight Net Ship Lbs Kg Lbs Kg				ELECTRICAL START COMPONENTS			DIMENSIONS *DIAGRAMS FOUND ON PAGE 66					
							Run Capacitor MFD/VOLTS	Start Capacitor MFD/VOLTS	G.E. Relay	A		B		C	
	IN	MM	IN	MM	IN	MM									
220/240 VOLTS - 1 Phase															
H23A263ABH	50	1.5	71.5	32.5	76.0	34.5	35/370	145-175/250	3ARR3*10AS*	12.5	317.2	14.6	371.3	14.9	378.4
H23A283ABK	50	1.5	71.5	32.5	76.0	34.5	35/370	145-175/250	3ARR3*10AS*	12.5	317.2	14.6	371.3	14.9	378.4
H23A303ABH	50	1.5	73.5	33.4	78.0	35.5	35/370	145-175/250	3ARR3*10AS*	12.5	317.2	14.6	371.3	14.9	378.4
H23A323ABH	50	1.5	73.5	33.4	78.0	35.5	40/370	145-175/250	3ARR3*10AT*	12.5	317.2	14.6	371.3	14.9	378.4
H23A353ABH	50	1.5	74.0	33.6	78.5	35.7	35/370	145-175/250	3ARR3*25AV*	12.5	317.2	14.6	371.3	14.9	378.4
H23A383ABK	50	1.5	78.0	35.5	82.5	37.5	35/440	145-175/330	3ARR3*4AA*	12.5	317.2	14.6	371.3	14.9	378.4
H23A423ABK	50	1.5	78.0	35.5	82.5	37.5	40/440	145-175/330	3ARR3*27AA*	12.5	317.2	14.6	371.3	14.9	378.4
H23A463ABK	55	1.6	85.0	38.6	89.5	40.7	40/440	145-175/330	3ARR3*4AA*	12.5	317.2	14.6	371.3	14.9	378.4
230/208 VOLTS - 1 Phase															
H23A263ABJ	50	1.5	71.5	32.5	76.0	34.5	35/370	145-175/220	3ARR3*10AS*	12.5	317.2	14.6	371.3	14.9	378.4
H23A353ABJ	50	1.5	85.0	38.6	89.5	40.7	35/440	145-175/330	3ARR3*4A*	12.5	317.2	14.6	371.3	14.9	378.4
H23A383ABJ	50	1.5	86.0	39.1	90.5	41.1	40/440	145-175/250	3ARR3*6AS*	12.5	317.2	14.6	371.3	14.9	378.4
220/200 VOLTS - 3 Phase															
H23A263DBL	50	1.5	72.0	32.7	76.5	34.8	-Not Req'd	-Not Req'd	-Not Req'd	12.5	317.2	14.6	371.3	14.9	378.4
H23A303DBL	50	1.5	73.0	33.2	77.5	35.2	-Not Req'd	-Not Req'd	-Not Req'd	12.5	317.2	14.6	371.3	14.9	378.4
H23A323DBL	50	1.5	73.0	33.2	77.5	35.2	-Not Req'd	-Not Req'd	-Not Req'd	12.5	317.2	14.6	371.3	14.9	378.4
H23A353DBL	50	1.5	73.0	33.2	77.5	35.2	-Not Req'd	-Not Req'd	-Not Req'd	12.5	317.2	14.6	371.3	14.9	378.4
H23A383DBL	50	1.5	74.0	33.6	78.5	35.7	-Not Req'd	-Not Req'd	-Not Req'd	12.5	317.2	14.6	371.3	14.9	378.4
H23A463DBL	50	1.5	74.0	33.6	78.5	35.7	-Not Req'd	-Not Req'd	-Not Req'd	12.5	317.2	14.6	371.3	14.9	378.4
H23A463DBL	55	1.6	74.0	33.6	78.5	35.7	-Not Req'd	-Not Req'd	-Not Req'd	12.5	317.2	14.6	371.3	14.9	378.4
H23A503DBL	55	1.6	79.5	36.1	84.0	38.2	-Not Req'd	-Not Req'd	-Not Req'd	14.0	355.3	16.1	409.4	16.4	416.5
H23A543DBL	55	1.6	79.5	36.1	84.0	38.2	-Not Req'd	-Not Req'd	-Not Req'd	14.0	355.3	16.1	409.4	16.4	416.5
H23A563DBL	55	1.6	83.0	37.7	87.5	39.8	-Not Req'd	-Not Req'd	-Not Req'd	14.0	355.3	16.1	409.4	16.4	416.5
H23A623DBL	55	1.6	83.0	37.7	87.5	39.8	-Not Req'd	-Not Req'd	-Not Req'd	14.0	355.3	16.1	409.4	16.4	416.5
380/415 VOLTS - 3 Phase															
H23A263DBE	50	1.5	72.0	32.7	76.5	34.8	-Not Req'd	-Not Req'd	-Not Req'd	12.5	317.2	14.6	371.3	14.9	378.4
H23A303DBE	50	1.5	72.0	32.7	76.5	34.8	-Not Req'd	-Not Req'd	-Not Req'd	12.5	317.2	14.6	371.3	14.9	378.4
H23A323DBE	50	1.5	73.0	33.2	77.5	35.2	-Not Req'd	-Not Req'd	-Not Req'd	12.5	317.2	14.6	371.3	14.9	378.4
H23A353DBE	50	1.5	73.0	33.2	77.5	35.2	-Not Req'd	-Not Req'd	-Not Req'd	12.5	317.2	14.6	371.3	14.9	378.4
H23A383DBE	50	1.5	74.0	33.6	78.5	35.7	-Not Req'd	-Not Req'd	-Not Req'd	12.5	317.2	14.6	371.3	14.9	378.4
H23A423DBE	50	1.5	74.0	33.6	78.5	35.7	-Not Req'd	-Not Req'd	-Not Req'd	12.5	317.2	14.6	371.3	14.9</	

H79A SERIES (R407C)

50 HZ

Model	@45/130				@45/100				@45/110				Electrical Data			Displacement				
	Capacity		Motor Input	EER/COP		Capacity		Motor Input	EER		Capacity		Motor Input	EER		RLA	LRA	MCC	IN ³ /REV	CM ³ /REV
	BTU/H	WATTS		BTU/WH	W/W	BTU/H	WATTS		BTU/WH	BTU/H	WATTS	BTU/WH		BTU/H	WATTS					
380/415 VOLTS - 3 Phase																				
H79A383DBV	26367	7737	2502	10.5	3.1	38256	2129	18.0	34125	2274	15.0	4.9	54	11.0	4.14	67.90				
H79A423DBV	30052	8818	2884	10.4	3.1	43063	2374	18.1	38813	2591	15.0	5.6	58	12.0	4.49	73.48				
H79A473DBV	32940	9665	3074	10.7	3.2	45196	2533	17.8	41178	2759	14.9	5.5	64	11.0	4.94	80.89				
H79A503DBV	34618	10158	3217	10.8	3.2	48258	2620	18.4	43387	2833	15.3	5.8	62	13.0	5.14	84.18				
H79A563DBV	38771	11376	3603	10.8	3.2	54047	2934	18.4	48592	3173	15.3	6.5	66	15.0	5.71	93.45				
H79A623DBV	44232	12979	4120	10.7	3.2	59094	3287	18.0	53987	3588	15.0	7.3	66	15.0	6.03	98.80				

H79A SERIES (R407C)

60 HZ

460/380 VOLTS - 3 Phase																			
H79A503DBV	43720	12828	4120	10.6	3.1	59030	3300	17.9	53300	3730	14.3	6.6	69	12.0	5.14	84.19			

H78A SERIES (R407C)

60 HZ

230/200 VOLTS - 3 Phase																			
H78A383DBL	33900	9947	3250	10.4	3.1	44600	2860	15.6	41700	2900	14.4	10.4	110	20.0	4.02	65.85			
H78A423DBL	38750	11370	3725	10.4	3.1	52500	3070	17.1	47700	3315	14.4	11.6	110	21.0	4.51	73.87			
H78A543DBL	47500	13938	4700	10.1	3.0	63000	3860	16.3	58000	4250	13.6	13.9	137	25.0	5.50	90.09			

460/380 VOLTS - 3 Phase																			
H78A383DBV	33900	9947	3250	10.4	3.1	44600	2860	15.6	41700	2900	14.4	5.2	54	11.0	4.02	65.85			
H78A423DBV	38750	11370	3725	10.4	3.1	52500	3070	17.1	47700	3315	14.4	5.8	54	11.0	4.51	73.87			
H78A473DBV	40900	12001	4030	10.1	3.0	55800	3360	16.6	50900	3625	14.0	6.2	54	12.0	4.93	80.75			
H78A543DBV	47500	13938	4700	10.1	3.0	63000	3860	16.3	58000	4250	13.6	7.1	69	13.0	5.50	90.09			

575 VOLTS - 3 Phase																			
H78A383DBF	33900	9947	3250	10.4	3.1	44600	2860	15.6	41700	2900	14.4	4.1	44	8.0	4.02	65.85			
H78A423DBF	38750	11370	3725	10.4	3.1	52500	3070	17.1	47700	3315	14.4	4.6	44	8.5	4.51	73.87			
H78A543DBF	47500	13938	4700	10.1	3.0	63000	3860	16.3	58000	4250	13.6	5.7	58	10.0	5.50	90.09			

H78A SERIES (R407C)

50 HZ

220/240 - 1 Phase																			
H78A423ABK	30600	8979	3070	10.0	2.9	42750	2550	16.8	39100	2760	14.2	15.1	99	27.0	4.51	73.87			

220/200 VOLTS - 3 Phase																			
H78A383DBL	26300	7717	2510	10.5	3.1	37900	2125	17.8	34100	2300	14.8	10.8	115	20.0	4.02	65.85			
H78A423DBL	31100	9125	2950	10.5	3.1	43100	2400	18.0	39500	2650	14.9	11.6	115	20.0	4.51	73.87			
H78A543DBL	39850	11693	3800	10.5	3.1	53625	3155	17.0	49500	3400	14.6	13.8	145	25.0	5.50	90.09			

380/415 VOLTS - 3 Phase																			
H78A383DBV	26300	7717	2510	10.5	3.1	37900	2125	17.8	34100	2300	14.8	5.0	54	11.0	4.02	65.85			
H78A423DBV	31100	9125	2950	10.5	3.1	43100	2400	18.0	39500	2650	14.9	5.7	54	10.5	4.51	73.87			
H78A473DBV	34252	10050	3280	10.4	3.1	46400	2690	17.2	43000	2940	14.6	6.2	54	11.5	4.93	80.75			
H78A543DBV	39850	11693	3800	10.5	3.1	53625	3155	17.0	49500	3400	14.6	7.3	62	13.0	5.50	90.09			

500 VOLTS - 3 Phase																			
H78A383DBF	26300	7717	2510	10.5	3.1	37900	2125	17.8	34100	2300	14.8	4.0	42	8.0	4.02	65.85			
H78A423DBF	31100	9125	2950	10.5	3.1	43100	2400	18.0	39500	2650	14.9	4.6	42	9.0	4.51	73.87			
H78A543DBF	39850	11693	3800	10.5	3.1	53625	3155	17.0	49500	3400	14.6	5.6	52	10.0	5.50	90.09			

*Data Subject to Revision

H79A SERIES (R407C)

50 HZ

Model	Oil Charge		Weight				ELECTRICAL START COMPONENTS			DIMENSIONS						
	OZ	L	Net Lbs	Kg	Ship Lbs	Kg	Run Capacitor MFD/VOLTS	Start Capacitor MFD/VOLTS	G.E. Relay	*DIAGRAMS FOUND ON PAGE 66						
										A	B		C			
									IN	MM	IN	MM	IN	MM		
380/415 VOLTS - 3 Phase																
H79A383DBV	65	1.9	93.0	42.3	96.5	43.9	-Not Req'd	-Not Req'd	-Not Req'd	14.0	355.3	16.1	409.4	16.4	417.2	
H79A423DBV	65	1.9	94.0	42.7	98.5	44.8	-Not Req'd	-Not Req'd	-Not Req'd	15.2	387.0	17.4	441.1	17.7	449.0	
H79A473DBV	65	1.9	94.5	43.0	98.5	44.8	-Not Req'd	-Not Req'd	-Not Req'd	15.3	386.9	17.4	440.9	17.7	448.8	
H79A503DBV	65	1.9	100.5	45.7	104.5	47.5	-Not Req'd	-Not Req'd	-Not Req'd	15.2	387.0	17.4	441.1	17.7	449.0	
H79A563DBV	65	1.9	105.5	48.0	109.5	49.8	-Not Req'd	-Not Req'd	-Not Req'd	15.2	387.0	17.4	441.1	17.7	449.0	
H79A623DBV	65	1.9	105.0	47.7	109.5	49.8	-Not Req'd	-Not Req'd	-Not Req'd	15.2	387.0	17.4	441.1	17.7	449.0	

H78A SERIES (R407C)

60 HZ

230/200 VOLTS - 3 Phase																
H79A503DBV	65	1.9	100.5	45.7	104.5	47.5	-Not Req'd	-Not Req'd	-Not Req'd	15.3	386.9	17.4	440.9	17.7	448.8	

H78A SERIES (R407C)

60 HZ

230/200 VOLTS - 3 Phase																
H78A383DBL	50	1.5	86.5	39.3	90.5	41.1	-Not Req'd	-Not Req'd	-Not Req'd	14.0	355.3	16.1	409.4	16.4	416.5	
H78A423DBL	50	1.5	86.5	39.3	90.5	41.1	-Not Req'd	-Not Req'd	-Not Req'd	14.0	355.3	16.1	409.4	16.4	416.5	
H78A543DBL	55	1.6	95.5	43.4	100.5	45.7	-Not Req'd	-Not Req'd	-Not Req'd	14.0	355.3	16.1	409.4	16.4	416.5	

460/380 VOLTS - 3 Phase																
H78A383DBV	50	1.5	87.0	39.5	91.0	41.4	-Not Req'd	-Not Req'd	-Not Req'd	14.0	355.3	16.1	409.4	16.4	416.5	
H78A423DBV	50	1.5	87.0	39.5	91.0	41.4	-Not Req'd	-Not Req'd	-Not Req'd	14.0	355.3	16.1	409.4	16.4	416.5	
H78A473DBV	55	1.6	87.5	39.8	91.5	41.6	-Not Req'd	-Not Req'd	-Not Req'd	14.0	355.3	16.1	409.4	16.4	416.5	
H78A543DBV	55	1.6	94.5	43.0	99.5	45.2	-Not Req'd	-Not Req'd	-Not Req'd	14.0	355.3	16.1	409.4	16.4	416.5	

575 VOLTS - 3 Phase																
H78A383DBF	50	1.5	87.0	39.5	91.0	41.4	-Not Req'd	-Not Req'd	-Not Req'd	14.0	355.3	16.1	409.4	16.4	416.5	
H78A423DBF	50	1.5	87.0	39.5	91.0	41.4	-Not Req'd	-Not Req'd	-Not Req'd	14.0	355.3	16.1	409.4	16.4	416.5	
H78A543DBF	55	1.6	94.0	42.7	99.0	45.0	-Not Req'd	-Not Req'd	-Not Req'd	14.0	355.3	16.1	409.4	16.4	416.5	

H78A SERIES (R407C)

50 HZ

220/240 - 1 Phase																
H78A423ABK	50	1.5	83.5	38.0	88.5	40.2	55/370	145-175/250	3ARR3*24P*	14.0	355.3	16.1	409.4	16.4	416.5	

220/200 VOLTS - 3 Phase																
H78A383DBL	50	1.5	86.5	39.3	90.5	41.1	-Not Req'd	-Not Req'd	-Not Req'd	14.0	355.3	16.1	409.4	16.4	416.5	
H78A423DBL	50	1.5	86.5	39.3	90.5	41.1	-Not Req'd	-Not Req'd	-Not Req'd	14.0	355.3	16.1	409.4	16.4	416.5	
H78A543DBL	55	1.6	95.5	43.4	100.5	45.7	-Not Req'd	-Not Req'd	-Not Req'd	14.0	355.3	16.1	409.4	16.4	416.5	

380/415 VOLTS - 3 Phase																
H78A383DBV	50	1.5	87.0	39.5	91.0	41.4	-Not Req'd	-Not Req'd	-Not Req'd	14.0	355.3	16.1	409.4	16.4	416.5	
H78A423DBV	50	1.5	87.0	39.5	91.0	41.4	-Not Req'd	-Not Req'd	-Not Req'd	14.0	355.3	16.1	409.4	16.4	416.5	
H78A473DBV	55	1.6	87.5	39.8	91.5	41.6	-Not Req'd	-Not Req'd	-Not Req'd	14.0	355.3	16.1	409.4	16.4	416.5	
H78A543DBV	55	1.6	94.5	43.0	99.5	45.2	-Not Req'd	-Not Req'd	-Not Req'd	14.0	355.3	16.1	409.4	16.4	416.5	

500 VOLTS - 3 Phase																
H78A383DBF	50	1.5	87.0	39.5	91.0	41.4	-Not Req'd	-Not Req'd	-Not Req'd	14.0	355.3	16.1	409.4	16.4	416.5	
H78A423DBF	50	1.5	87.0	39.5	91.0	41.4	-Not Req'd	-Not Req'd	-Not Req'd	14.0	355.3	16.1	409.4	16.4	416.5	
H78A543DBF	55	1.6	94.0	42.7	99.0	45.0	-Not Req'd	-Not Req'd	-Not Req'd	14.0	355.3	16.1	409.4	16.4	416.5	

<

H73A SERIES (R407C)

50 HZ

Model	@45/130				@45/100			@45/110			Electrical Data RLA LRA MCC			Displacement IN ³ /REV CM ³ /REV		
	Capacity		Motor Input WATTS	EER/COP		Capacity BTU/H	Motor Input WATTS	EER	Capacity BTU/H	Motor Input WATTS						EER
	BTU/H	WATTS		BTU/WH	W/W						BTU/WH	BTU/WH				
220/240 VOLTS - 1 Phase																
H73A263ABH	18511	5432	1965	9.4	2.8	26946	1663	16.2	23843	1754	13.6	10.6	62	18	3.01	49.30
H73A283ABK	19071	5596	2043	9.3	2.7	27513	1772	15.5	24713	1772	13.9	11.0	62	20	3.16	51.76
H73A303ABH	20423	5993	2195	9.3	2.7	29101	1874	15.5	26202	1993	13.1	11.4	62	20	3.28	53.73
H73A323ABH	22181	6508	2388	9.3	2.7	31312	2035	15.4	28116	2149	13.1	12.5	72	22	3.52	57.66
H73A353ABH	24330	7139	2637	9.2	2.7	33963	2265	15.0	30663	2387	12.8	13.8	78	25	3.78	61.92
H73A383ABK	27579	8092	2910	9.5	2.8	38091	2494	15.3	34573	2633	13.1	15.5	82	28	4.04	66.18
H73A423ABK	29782	8739	3091	9.6	2.8	40629	2650	15.3	37098	2801	13.2	16.7	90	28	4.43	72.56
H73A463ABK	33398	9800	3401	9.8	2.9	45457	2822	16.1	41676	3052	13.7	18.8	101	33	4.75	77.81
220/200 VOLTS - 3 Phase																
H73A263DBL	18521	5434	1938	9.6	2.8	26961	1640	16.4	23856	1730	13.8	7.0	55	14	3.01	49.30
H73A303DBL	20608	6047	2169	9.5	2.8	29364	1852	15.9	26438	1969	13.4	9.0	76	16	3.28	53.73
H73A323DBL	22276	6536	2394	9.3	2.7	32152	2016	15.9	28873	2138	13.5	9.4	76	16	3.52	57.66
H73A353DBL	24503	7190	2603	9.4	2.8	34203	2207	15.5	30884	2336	13.2	10.0	76	18	3.78	61.92
H73A383DBL	27237	7992	2834	9.6	2.8	37618	2399	15.7	34145	2544	13.4	10.7	82	20	4.04	66.18
H73A423DBL	30220	8867	3063	9.9	2.9	41226	2597	15.9	37646	2759	13.6	11.2	82	20	4.43	72.56
H73A463DBL	33608	9861	3500	9.6	2.8	45556	2990	15.2	41684	3227	12.9	12.7	90	24	4.75	77.81
H73A503DBL	36086	10588	3900	9.3	2.7	50240	3307	15.2	45884	3567	12.9	14.7	106	25	5.17	84.68
H73A543DBL	39647	11633	4173	9.5	2.8	54155	3589	15.1	49299	3882	12.7	15.1	106	25	5.55	90.91
H73A563DBL	40419	11860	4201	9.6	2.8	55281	3617	15.3	50548	3955	12.8	15.9	124	30	5.66	92.71
H73A623DBL	44475	13050	4637	9.6	2.8	61093	4003	15.3	54835	4286	12.8	18.0	124	32	6.17	101.06
380/415 VOLTS - 3 Phase																
H73A263DBE	18379	5393	2006	9.2	2.7	26758	1699	15.7	23667	1792	13.2	3.8	30	8	3.01	49.30
H73A303DBE	20327	5964	2114	9.6	2.8	29089	1801	16.2	26325	1947	13.5	4.1	30	8	3.28	53.73
H73A323DBE	22869	6710	2336	9.8	2.9	32199	1966	16.4	28934	2085	13.9	4.3	30	8	3.52	57.66
H73A353DBE	24503	7190	2550	9.6	2.8	34203	2161	15.8	30884	2288	13.5	5.0	35	8	3.78	61.92
H73A383DBE	26728	7843	2753	9.7	2.8	36914	2331	15.8	33506	2471	13.6	5.2	39	10	4.04	66.18
H73A423DBE	29965	8792	3099	9.7	2.8	40879	2628	15.6	37326	2789	13.4	5.8	39	10	4.43	72.56
H73A463DBE	33012	9686	3477	9.5	2.8	44747	2971	15.1	40950	3206	12.8	6.3	45	13	4.75	77.81
H73A503DBE	35932	10543	3806	9.4	2.8	49987	3230	15.5	45666	3482	13.1	6.7	53	13	5.17	84.68
H73A543DBE	39136	11483	4038	9.7	2.8	53458	3472	15.4	48666	3754	13.0	7.2	53	13	5.55	90.91
H73A563DBE	40441	11866	4122	9.8	2.9	55262	3552	15.6	50546	3885	13.0	7.5	62	14	5.66	92.71
H73A623DBE	44050	12925	4547	9.7	2.8	60508	3925	15.4	54314	4201	12.9	8.2	62	16	6.17	101.06

*Data Subject to Revision

H73A SERIES (R407C)

50 HZ

Model	Oil Charge OZ L		Weight Net Ship Lbs Kg Lbs Kg				ELECTRICAL START COMPONENTS			DIMENSIONS *DIAGRAMS FOUND ON PAGE 67					
							Run Capacitor MFD/VOLTS	Start Capacitor MFD/VOLTS	G.E. Relay	A		B		C	
	IN	MM	IN	MM	IN	MM									
220/240 VOLTS - 1 Phase															
H73A263ABH	50	1.5	71.5	32.5	76.0	34.5	35/370	145-175/250	3ARR3*10AS*	12.5	317.2	14.6	371.3	14.9	378.4
H73A283ABK	50	1.5	71.5	32.5	76.0	34.5	35/370	145-175/250	3ARR3*10AS*	12.5	317.2	14.6	371.3	14.9	378.4
H73A303ABH	50	1.5	73.5	33.4	78.0	35.5	35/370	145-175/250	3ARR3*10AS*	12.5	317.2	14.6	371.3	14.9	378.4
H73A323ABH	50	1.5	73.5	33.4	78.0	35.5	40/370	145-175/250	3ARR3*10AT*	12.5	317.2	14.6	371.3	14.9	378.4
H73A353ABH	50	1.5	74.0	33.6	78.5	35.7	35/370	145-175/250	3ARR3*25AV*	12.5	317.2	14.6	371.3	14.9	378.4
H73A383ABK	50	1.5	78.0	35.5	82.5	37.5	35/440	145-175/330	3ARR3*4AA*	12.5	317.2	14.6	371.3	14.9	378.4
H73A423ABK	50	1.5	78.0	35.5	82.5	37.5	40/440	145-175/330	3ARR3*27AA*	12.5	317.2	14.6	371.3	14.9	378.4
H73A463ABK	55	1.6	85.0	38.6	89.5	40.7	40/440	145-175/330	3ARR3*4AA*	14.0	355.3	16.1	409.4	16.4	416.5
220/200 VOLTS - 3 Phase															
H73A263DBL	50	1.5	72.0	32.7	76.5	34.8	-Not Req'd	-Not Req'd	-Not Req'd	12.5	317.2	14.6	371.3	14.9	378.4
H73A303DBL	50	1.5	72.0	32.7	76.5	34.8	-Not Req'd	-Not Req'd	-Not Req'd	12.5	317.2	14.6	371.3	14.9	378.4
H73A323DBL	50	1.5	73.0	33.2	77.5	35.2	-Not Req'd	-Not Req'd	-Not Req'd	12.5	317.2	14.6	371.3	14.9	378.4
H73A353DBL	50	1.5	73.0	33.2	77.5	35.2	-Not Req'd	-Not Req'd	-Not Req'd	12.5	317.2	14.6	371.3	14.9	378.4
H73A383DBL	50	1.5	74.0	33.6	78.5	35.7	-Not Req'd	-Not Req'd	-Not Req'd	12.5	317.2	14.6	371.3	14.9	378.4
H73A423DBL	50	1.5	74.0	33.6	78.5	35.7	-Not Req'd	-Not Req'd	-Not Req'd	12.5	317.2	14.6	371.3	14.9	378.4
H73A463DBL	55	1.6	74.0	33.6	78.5	35.7	-Not Req'd	-Not Req'd	-Not Req'd	14.0	355.3	16.1	409.4	16.4	416.5
H73A503DBL	55	1.6	79.5	36.1	84.0	38.2	-Not Req'd	-Not Req'd	-Not Req'd	14.0	355.3	16.1	409.4	16.4	416.5
H73A543DBL	55	1.6	79.5	36.1	84.0	38.2	-Not Req'd	-Not Req'd	-Not Req'd	14.0	355.3	16.1	409.4	16.4	416.5
H73A563DBL	55	1.6	83.0	37.7	87.5	39.8	-Not Req'd	-Not Req'd	-Not Req'd	14.0	355.3	16.1	409.4	16.4	416.5
H73A623DBL	55	1.6	83.0	37.7	87.5	39.8	-Not Req'd	-Not Req'd	-Not Req'd	14.0	355.3	16.1	409.4	16.4	416.5
380/415 VOLTS - 3 Phase															
H73A263DBE	50	1.5	72.0	32.7	76.5	34.8	-Not Req'd	-Not Req'd	-Not Req'd	12.5	317.2	14.6	371.3	14.9	378.4
H73A303DBE	50	1.5	72.0	32.7	76.5	34.8	-Not Req'd	-Not Req'd	-Not Req'd	12.5	317.2	14.6	371.3	14.9	378.4
H73A323DBE	50	1.5	73.0	33.2	77.5	35.2	-Not Req'd	-Not Req'd	-Not Req'd	12.5	317.2	14.6	371.3	14.9	378.4
H73A353DBE	50	1.5	73.0	33.2	77.5	35.2	-Not Req'd	-Not Req'd	-Not Req'd	12.5	317.2	14.6	371.3	14.9	378.4
H73A383DBE	50	1.5	74.0	33.6	78.5	35.7	-Not Req'd	-Not Req'd	-Not Req'd	12.5	317.2	14.6	371.3	14.9	378.4
H73A423DBE	50	1.5	74.0	33.6	78.5	35.7	-Not Req'd	-Not Req'd	-Not Req'd	12.5	317.2	14.6	371.3	14.9	378.4
H73A463DBE	55	1.6	74.0	33.6	78.5	35.7	-Not Req'd	-Not Req'd	-Not Req'd	14.0	355.3	16.1	409.4	16.4	416.5
H73A503DBE	55	1.6	79.5	36.1	84.0	38.2	-Not Req'd	-Not Req'd	-Not Req'd	14.0	355.3	16.1	409.4	16.4	416.5
H73A543DBE	55	1.6	79.5	36.1	84.0	38.2	-Not Req'd	-Not Req'd	-Not Req'd	14.0	355.3	16.1	409.4	16.4	416.5
H73A563DBE	55	1.6	83.0	37.7	87.5	39.8	-Not Req'd	-Not Req'd	-Not Req'd	14.0	355.3	16.1	409.4	16.4	416.5
H73A623DBE	55	1.6	83.0	37.7	87.5	39.8	-Not Req'd	-Not Req'd	-Not Req'd	14.0	355.3	16.1	409.4	16.4	416.5

H89A SERIES (R410A)

60 HZ

Model	@45/130					@45/100			@45/110			Electrical Data RLA LRA MCC			Displacement IN ³ /REV CM ³ /REV	
	Capacity		Motor Input	EER/COP		Capacity	Motor Input	EER	Capacity	Motor Input	EER					
	BTU/H	WATTS	WATTS	BTU/WH	W/W	BTU/H	WATTS	BTU/WH	BTU/H	WATTS	BTU/WH					
230/208 VOLTS - 1 Phase																
H89A513CBC	51400	15081	4950	10.4	3.1	73400	3850	19.1	65300	4250	15.4	23.5	135	40	4.02	65.86
H89A543CBC	53400	15668	5100	10.5	3.1	74100	4150	17.9	67600	4400	15.4	25.0	135	41.5	4.15	67.99
230/200 VOLTS - 3 Phase																
H89A423DBL	43341	12717	4180	10.4	3.0	61591	3247	19.0	55992	3596	15.6	10.0	130	20	3.52	57.66
H89A583DBL	58380	17130	5480	10.7	3.1	79341	4210	18.8	71961	4640	15.5	15.1	150	25	4.39	71.91

H89A SERIES (R410A)

50 HZ

220/200 VOLTS - 3 Phase																
H89A423DBL	36406	10682	3560	10.2	3.0	51736	2728	19.0	47034	3024	15.6	12.5	138	20	3.52	57.66
H89A583DBL	47920	14061	4566	10.5	3.1	67377	3557	18.9	60745	3939	15.4	15.2	157	25	4.39	71.91
380/415 VOLTS - 3 Phase																
H89A723DBV	60529	17760	5717	10.6	3.1	83600	4690	17.8	75690	4868	15.5	9.6	81	16	5.20	85.22

*Data Subject to Revision

H89A SERIES (R410A)

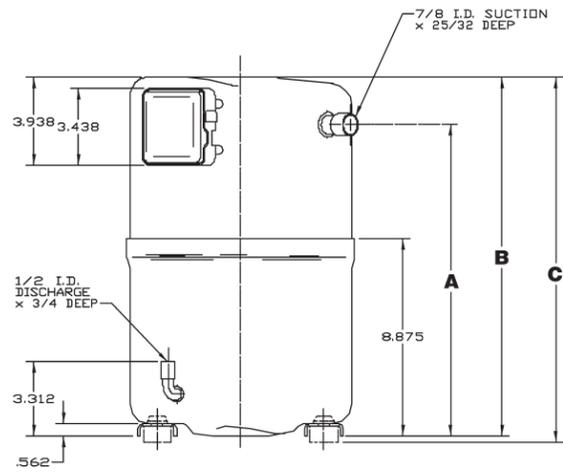
60 HZ

Model	Oil Charge OZ L		Weight Net Ship Lbs Kg Lbs Kg				ELECTRICAL START COMPONENTS			DIMENSIONS *DIAGRAMS FOUND ON PAGE 67						
							Run Capacitor	Start Capacitor	G.E. Relay	A		B		C		
	MFD/VOLTS	MFD/VOLTS		IN	MM	IN	MM	IN	MM							
230/208 VOLTS - 1 Phase																
H89A513CBC	65	1.9	112.7	51.3	117.2	53.3	55/370	270-324/330	3ARR22*3N	15.3	387.7	17.4	442.2	17.7	449.3	
H89A543CBC	65	1.9	112.7	51.3	117.2	53.3	60/370	270-324/330	3ARR22*3N	15.3	387.7	17.4	442.2	17.7	449.3	
230/200 VOLTS - 3 Phase																
H89A423DBL	65	1.9	106.5	48.4	110.5	50.2	-Not Req'd	-Not Req'd	-Not Req'd	14.0	356.1	16.2	410.6	16.5	417.8	
H89A583DBL	65	1.9	112.5	51.1	116.5	53.0	-Not Req'd	-Not Req'd	-Not Req'd	15.3	387.8	17.4	442.4	17.7	449.5	

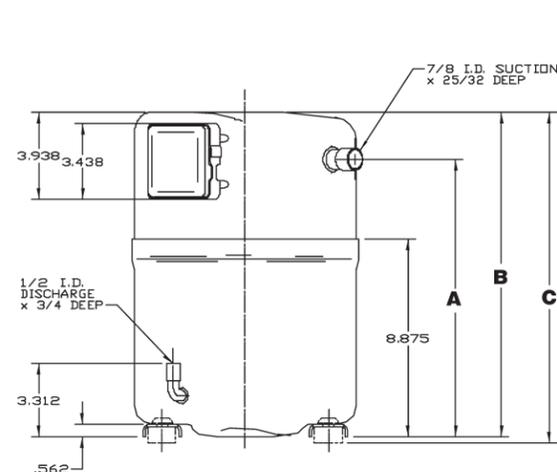
H89A SERIES (R410A)

50 HZ

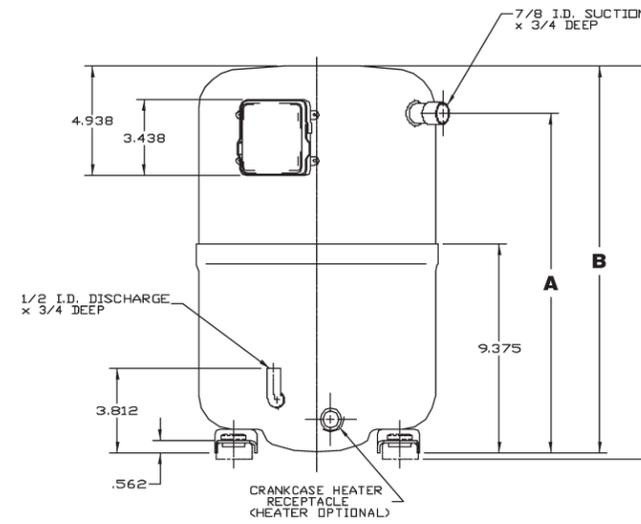
220/200 VOLTS - 3 Phase																
H89A423DBL	65	1.9	106.5	48.4	110.5	50.2	-Not Req'd	-Not Req'd	-Not Req'd	14.0	356.1	16.2	410.6	16.5	417.8	
H89A583DBL	65	1.9	112.5	51.1	116.5	53.0	-Not Req'd	-Not Req'd	-Not Req'd	15.3	387.8	17.4	442.4	17.7	449.5	
380/415 VOLTS - 3 Phase																
H89A723DBV	65	1.9	112.7	51.3	116.7	53.1	-Not Req'd	-Not Req'd	-Not Req'd	16.8	426.7	17.4	442.1	17.7	449.3	



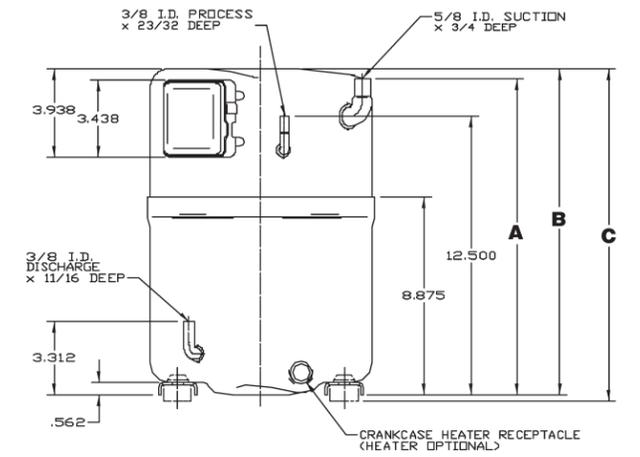
H23A



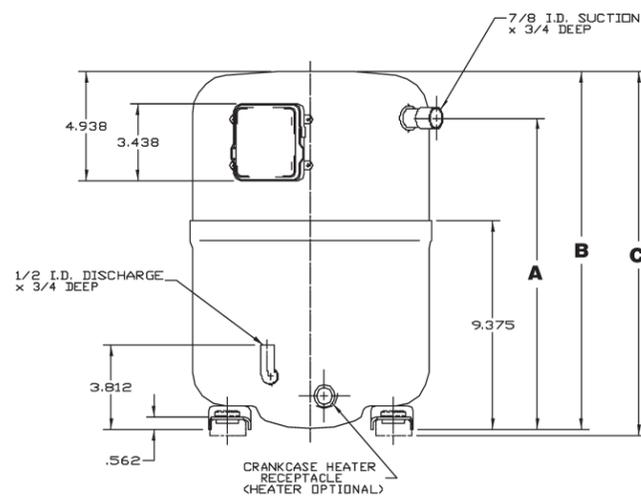
H24A



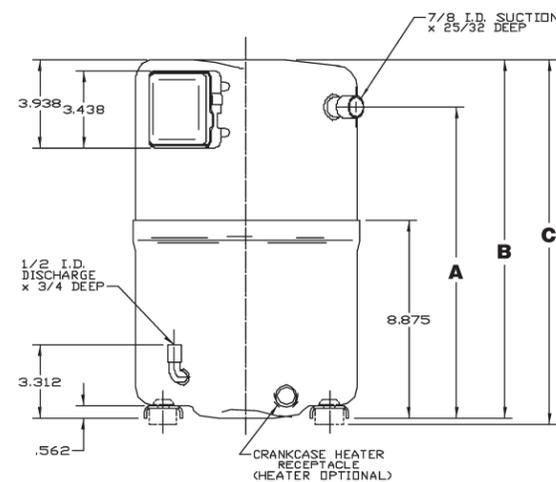
H29A & T29A



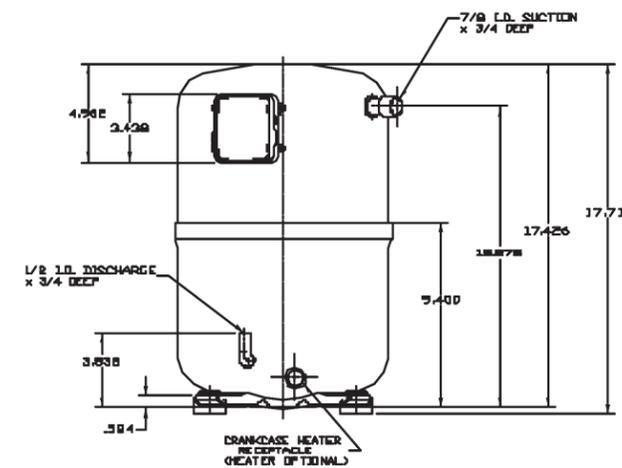
H73A



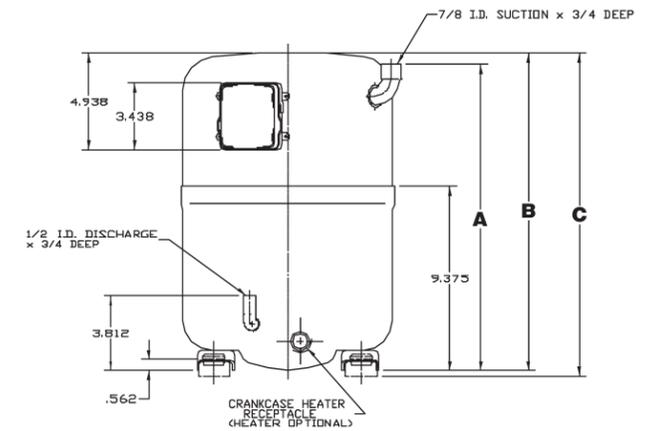
H25A, H26A, H27A



H28A & H78A



H89A



H79A



T27B SERIES

60 HZ

Model	@45/130						@45/100			@45/110			Electrical Data RLA LRA MCC			Displacement IN ³ /REV CM ³ /REV	
	Capacity BTU/H WATTS		Motor Input WATTS	EER/COP BTU/WH W/W		Capacity BTU/H	Motor Input WATTS	EER	Capacity BTU/H	Motor Input WATTS	EER						
230/208 VOLTS - 1 Phase																	
T27B224CBC-1	8900	2611	890	10	2.9	11684	728	16.0	10798	793	13.6	3.9	33	8.0	0.95	15.56	
T27B224CBC-2	20700	6074	1900	10.9	3.2	27028	1533	17.6	24977	1672	14.9	8.5	64	16.0	2.23	36.53	
T27B264CBC-1	10630	3119	1030	10.3	3.0	13708	838	16.4	12724	910	14.0	4.8	41	9.5	0.93	15.23	
T27B264CBC-2	24730	7256	2210	11.2	3.3	32100	1800	17.8	29330	1925	15.2	9.9	65	17.5	2.18	35.71	
T27B284CBC-1	11600	3404	1130	10.3	3.0	14847	911	16.3	13734	993	13.8	5.2	41	9.0	1.16	19.00	
T27B284CBC-2	27500	8069	2500	11.0	3.2	35206	1986	17.7	32788	2173	15.1	11.2	65	18.0	2.81	46.03	
T27B324CBC-1	14700	4313	1400	10.5	3.1	18355	1117	16.4	17131	1215	14.1	8.5	48	10.6	1.41	23.10	
T27B324CBC-2	30600	8979	2785	11.0	3.2	38820	2231	17.4	36219	2433	14.9	12.5	84	21.0	3.06	50.12	
T27B355CBC-1	17800	5223	1690	10.5	3.1	22059	1350	16.3	20636	1468	14.1	7.5	48	11.0	1.67	27.35	
T27B355CBC-2	33600	9859	3035	11.1	3.2	42032	2435	17.3	39238	2647	14.8	13.2	84	22.0	3.32	54.38	



T26A SERIES

60 HZ

230/208 VOLTS - 1 Phase																	
T26A464BBC-1	17707	5196	1712	10.3	3.0	22990	1384	16.6	21199	1509	14.0	7.0	88	14.0	1.85	30.30	
T26A464BBC-2	44804	13146	4079	11.0	3.2	57723	3306	17.5	53224	3566	14.9	17.8	130	33.0	4.58	75.02	
T26A564BBC-1	27000	7922	2540	10.6	3.1	34425	2011	17.1	32265	2213	14.6	11.3	80	21.0	2.63	43.08	
T26A564BBC-2	56500	16578	5250	10.8	3.2	71400	4200	17.0	66350	4570	14.5	23.2	142	43.0	5.60	91.73	

**THE T26A SERIES IS BEING OBSOLETED.
THESE COMPRESSORS ARE BEING REPLACED WITH THE T29A SERIES COMPRESSORS.**



T28A SERIES

50 HZ

220/240 VOLTS - 1 Phase																	
T28A425CBK-1	19500	5721	1850	10.5	3.1	24800	1450	17.1	23000	1600	14.4	9.0	75	14.0	2.30	37.68	
T28A425CBK-2	37400	10974	3400	11.0	3.2	48400	2650	18.3	45100	2950	15.3	16.6	105	28.0	2.30	37.68	
380/415 VOLTS - 3 Phase																	
T28A505DBZ-1	21400	6279	2050	10.4	3.1	27500	1650	16.7	25500	1800	14.2	4.0	39	9.5	2.57	42.10	
T28A505DBZ-2	40300	11824	3870	10.4	3.1	52300	3050	17.1	48000	3300	14.5	6.5	39	11.0	2.57	42.10	
T28A545DBZ-1	23600	6924	2300	10.3	3.0	30200	1850	16.3	27900	2000	14.0	4.3	39	9.0	2.80	45.87	
T28A545DBZ-2	43600	12793	4300	10.1	3.0	56300	3350	16.8	51900	3650	14.2	7.2	39	11.2	2.80	45.87	



T29A SERIES

60 HZ

230/208 VOLTS - 1 Phase																	
T29A464BBC-1	18850	5531	1800	10.5	3.1	24738	1462	16.9	23036	1589	14.5	8.0	88	18.0	1.97	32.27	
T29A464BBC-2	47100	13820	4150	11.3	3.3	60500	3400	17.8	56200	3600	15.6	18.6	130	37.0	4.88	79.93	
T29A544BBC-1	20000	5868	1900	10.5	3.1	26389	1592	16.6	25662	1703	15.1	8.5	80	19.0	2.12	34.73	
T29A544BBC-2	53700	15757	4890	11.0	3.2	69648	4041	17.2	63562	4277	14.9	22.1	142	41.0	5.54	90.75	

1=One Cylinder, 2=Two Cylinder *Data Subject to Revision



T27B SERIES

60 HZ

Model	Oil Charge OZ L		Weight Net Ship Lbs Kg Lbs Kg				ELECTRICAL START COMPONENTS			DIMENSIONS *DIAGRAMS FOUND ON PAGE 72					
							Run Capacitor MFD/VOLTS	Start Capacitor MFD/VOLTS	Kickstart Part No.	A		B		C	
	IN	MM	IN	MM	IN	MM	IN	MM							
230/208 VOLTS - 1 Phase															
T27B224CBC-1	35	1.0	71	32.3	74.5	33.9	30/440	216-259/330	KSTS216	12.5	317.0	15	380.7	15.3	387.8
T27B224CBC-2	35	1.0	71	32.3	7.5	3.4	30/440	216-259/330	KSTS216	12.5	317.0	15	380.7	15.3	387.8
T27B264CBC-1	35	1.0	71	32.3	74.5	33.9	45/440	216-259/330	KSTS216	12.5	317.0	15	380.7	15.3	387.8
T27B264CBC-2	35	1.0	71	32.3	74.5	33.9	45/440	216-259/330	KSTS216	12.5	317.0	15	380.7	15.3	387.8
T27B284CBC-1	35	1.0	71	32.3	74.5	33.9	45/440	216-259/330	KSTS216	12.5	317.0	15	380.7	15.3	387.8
T27B284CBC-2	35	1.0	71	32.3	74.5	33.9	45/440	216-259/330	KSTS216	12.5	317.0	15	380.7	15.3	387.8
T27B324CBC-1	35	1.0	71	32.3	74.5	33.9	50/440	243-292/330	KSTS243	12.5	317.0	15	380.7	15.3	387.8
T27B324CBC-2	35	1.0	71	32.3	74.5	33.9	50/440	243-292/330	KSTS243	12.5	317.0	15	380.7	15.3	387.8
T27B355CBC-1	35	1.0	71	32.3	74.5	33.9	50/440	243-292/330	KSTS243	12.5	317.0	15	380.7	15.3	387.8
T27B355CBC-2	35	1.0	71	32.3	74.5	33.9	50/440	243-292/330	KSTS243	12.5	317.0	15	380.7	15.3	387.8



T26A SERIES

60 HZ

230/208 VOLTS - 1 Phase															
T26A464BBC-1	65	1.9	106	48.2	110.0	50	55/370	324-356/330	KSTS324	15.2	387.0	17.4	441.0	17.7	448.9
T26A464BBC-2	65	1.9	106	48.2	110.0	50	55/370	324-356/330	KSTS324	15.2	387.0	17.4	441.0	17.7	448.9
T26A564BBC-1	65	1.9	106	48.2	110.0	50	55/370	324-356/330	KSTS324	15.2	387.0	17.4	441.1	17.7	449.0
T26A564BBC-2	65	1.9	106	48.2	110.0	50	55/370	324-356/330	KSTS324	15.2	387.0	17.4	441.1	17.7	449.0

**THE T26A SERIES IS BEING OBSOLETED.
THESE COMPRESSORS ARE BEING REPLACED WITH THE T29A SERIES COMPRESSORS.**



T28A SERIES

50 HZ

220/240 VOLTS - 1 Phase															
T28A425CBK-1	55	1.6	90.0	40.9	94.5	43.0	55/370	324/440	KSTS324	12.5	317.1	14.3	361.5	14.9	378.0
T28A425CBK-2	55	1.6	90.0	40.9	94.5	43.0	55/370	324/440	KSTS324	12.5	317.1	14.3	361.5	14.9	378.0
380/415 VOLTS - 3 Phase															
T28A505DBZ-1	55	1.6	74.0	33.7	77.0	35.0	Not Req'd	Not Req'd	Not Req'd	12.5	317.1	14.3	361.5	14.9	378.0
T28A505DBZ-2	55	1.6	74.0	33.7	77.0	35.0	Not Req'd	Not Req'd	Not Req'd	12.5	317.1	14.3	361.5	14.9	378.0
T28A545DBZ-1	55	1.6	74.0	33.7	77.0	35.0	Not Req'd	Not Req'd	Not Req'd	12.5	317.1	14.3	361.5	14.9	378.0
T28A545DBZ-2	55	1.6	74.0	33.7	77.0	35.0	Not Req'd	Not Req'd	Not Req'd	12.5	317.1	14.3	361.5	14.9	378.0



T29A SERIES

60 HZ

230/208 VOLTS - 1 Phase															
T29A464BBC-1	65	1.9	106	48.2	110.0	50	55/370	324-356/330	KSTS324	15.2	387.0	17.4	441.1	17.7	449.0
T29A464BBC-2	65	1.9	106	48.2	110.0	50	55/370	324-356/330	KSTS324	15.2	387.0	17.4	441.1	17.7	449.0
T29A544BBC-1	65	1.9	106	48.2	110.0	50	55/370	324-356/330	KSTS324	15.2	387.0	17.4	441.1	17.7	449.0
T29A544BBC-2	65	1.9	106	48.2	110.0	50	55/370	324-356/330	KSTS324	15.2	387.0	17.4	441.1	17.7	449.0

TS FAMILY

TS FAMILY



T89B SERIES (R410A)

60 HZ

Model	@45/130						@45/100			@45/110			Electrical Data			Displacement		
	Capacity		Motor Input	EER/COP		Capacity	Motor Input	EER	Capacity	Motor Input	EER	RLA						LRA
	BTU/H	WATTS	WATTS	BTU/WH	W/W	BTU/H	WATTS	BTU/WH	BTU/H	WATTS	BTU/WH							
230/208 VOLTS - 1 Phase																		
T89B194CBC-1	7495	2199	920	8.1	2.4	11363	789	14.4	9999	843	11.9	3.9	33	8.3	0.73	11.96		
T89B194CBC-2	18525	5436	2005	9.2	2.7	26176	1579	16.6	23974	1756	13.7	8.8	64	16.6	1.66	27.19		
T89B264CBC-1	8950	2626	1090	8.2	2.4	13523	905	14.9	12103	976	12.4	5.2	39	9.5	0.84	13.76		
T89B264CBC-2	25550	7497	2700	9.5	2.8	36076	2179	16.6	31760	2385	13.3	12.0	66	19.5	2.11	34.56		
T89B284CBC-1	10630	3119	1205	8.8	2.6	15991	1016	15.7	14223	1093	13.0	6.0	39	10.0	0.93	15.23		
T89B284CBC-2	26855	7880	2850	9.4	2.8	38300	2245	17.1	34295	2501	13.7	13.6	66	22.0	2.19	35.87		
T89B364CBC-1	16600	4871	1860	8.9	2.6	23439	1492	15.7	21125	1628	13.0	8.5	49	12.0	1.31	21.46		
T89B364CBC-2	35400	10387	3745	9.5	2.8	48734	2935	16.6	44566	3237	13.8	17.0	96	28.0	2.74	44.88		
T89B385CBC-1	18635	5468	2045	9.1	2.7	25586	1612	15.9	23066	1765	13.1	9.0	49	13.1	1.42	23.26		
T89B385CBC-2	37155	10902	3895	9.5	2.8	51485	3135	16.4	46435	3370	13.8	17.5	96	31.0	2.85	46.68		



T89A SERIES (R410A)

60 HZ

230/208 VOLTS - 1 Phase																		
T89A424BBC-1	17100	5018	1850	9.2	2.7	25647	1558	16.5	22764	1682	13.5	8.1	88	18.0	1.49	24.41		
T89A424BBC-2	42100	12353	4100	10.3	3.0	59275	3568	16.6	53670	3602	14.9	17.9	130	39.0	3.46	56.67		
T89A514BBC-1	19200	5634	2000	9.6	2.8	27465	1657	16.6	24312	1795	13.5	9.2	88	21.0	1.60	26.21		
T89A514BBC-2	51900	15229	5050	10.3	3.0	70745	3848	18.4	65754	4348	15.1	23.5	130	41.0	4.12	67.49		

1=One Cylinder, 2=Two Cylinder *Data Subject to Revision



T89B SERIES (R410A)

60 HZ

Model	Oil Charge		Weight				ELECTRICAL START COMPONENTS			DIMENSIONS									
							Run Capacitor	Start Capacitor	Kickstart	*DIAGRAMS FOUND ON PAGE 72									
	OZ	L	Lbs	Net Kg	Ship Lbs	Kg	MFD/VOLTS	MFD/VOLTS	Part No.	IN	A	MM	IN	B	MM	IN	C	MM	
T89B194CBC-1	40	1.2	77	35.0	80.5	36.6	25/440	216-259/330	KSTS216	12.1	308.1	14.3	363.9	14.6	370.3				
T89B194CBC-2	40	1.2	77	35.0	80.5	36.6	25/440	216-259/330	KSTS216	12.1	308.1	14.3	363.9	14.6	370.3				
T89B264CBC-1	40	1.2	77	35.0	80.5	36.6	45/440	216-259/330	KSTS216	12.1	308.1	14.3	363.9	14.6	370.3				
T89B264CBC-2	40	1.2	77	35.0	80.5	36.6	45/440	216-259/330	KSTS216	12.1	308.1	14.3	363.9	14.6	370.3				
T89B284CBC-1	40	1.2	77	35.0	80.5	36.6	45/440	238-262/330	KSTS238	12.1	308.1	14.3	363.9	14.6	370.3				
T89B284CBC-2	40	1.2	77	35.0	80.5	36.6	45/440	238-262/330	KSTS238	12.1	308.1	14.3	363.9	14.6	370.3				
T89B364CBC-1	40	1.2	77	35.0	80.5	36.6	55/440	243-292/330	KSTS243	12.1	308.1	14.3	363.9	14.6	370.3				
T89B364CBC-2	40	1.2	77	35.0	80.5	36.6	55/440	243-292/330	KSTS243	12.1	308.1	14.3	363.9	14.6	370.3				
T89B385CBC-1	40	1.2	77	35.0	80.5	36.6	55/440	238-262/330	KSTS238	12.1	308.1	14.3	363.9	14.6	370.3				
T89B385CBC-2	40	1.2	77	35.0	80.5	36.6	55/440	238-262/330	KSTS238	12.1	308.1	14.3	363.9	14.6	370.3				



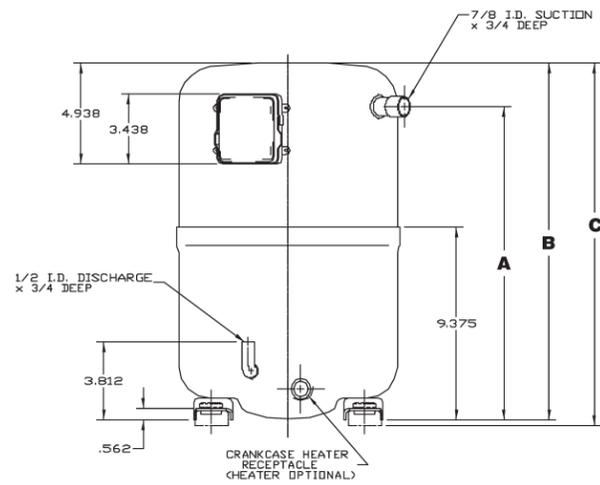
T89A SERIES (R410A)

60 HZ

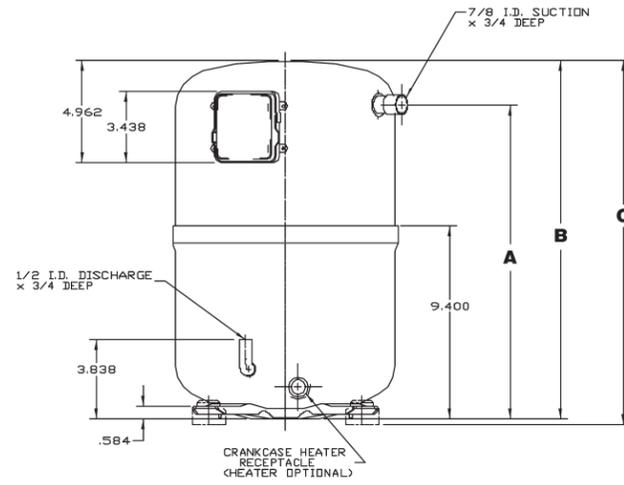
230/208 VOLTS - 1 Phase																			
T89A424BBC-1	65	1.9	112	50.9	116.0	52.7	55/370	324-356/330	KSTS324	15.3	387.8	17.4	442.4	17.7	449.5				
T89A424BBC-2	65	1.9	112	50.9	116.0	52.7	55/370	324-356/330	KSTS324	15.3	387.8	17.4	442.4	17.7	449.5				
T89A514BBC-1	65	1.9	112	50.9	116.0	52.7	55/370	324-356/330	KSTS324	15.3	387.8	17.4	442.4	17.7	449.5				
T89A514BBC-2	65	1.9	112	50.9	116.0	52.7	55/370	324-356/330	KSTS324	15.3	387.8	17.4	442.4	17.7	449.5				

TS FAMILY

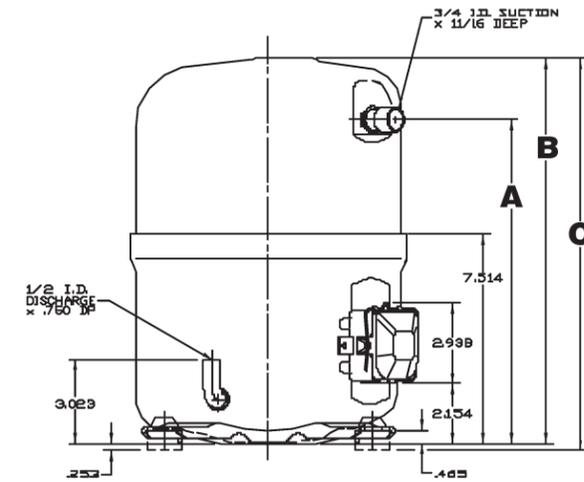
TS FAMILY



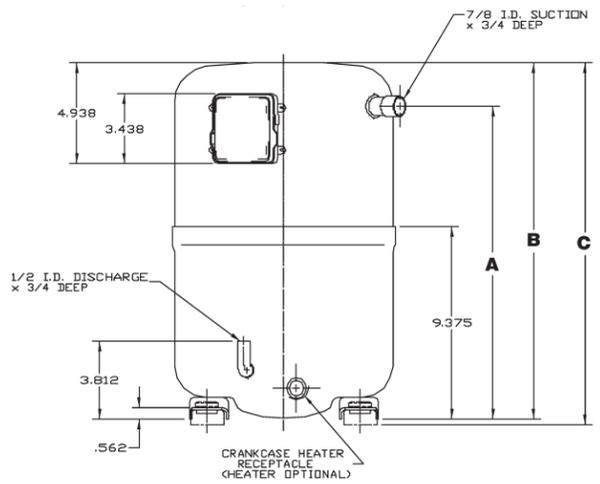
T29A



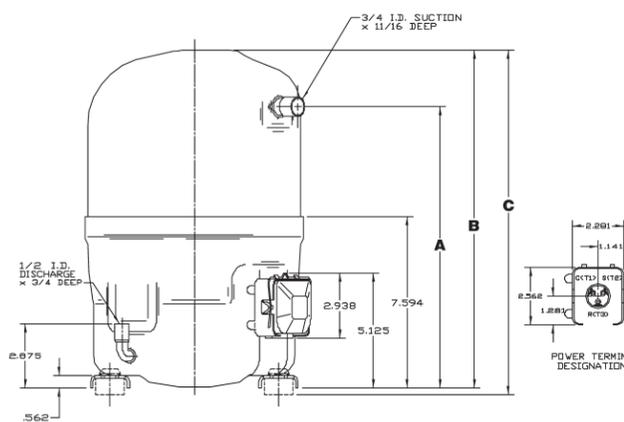
T89A



T89B



T26A



T27B



H25DQ SERIES

60 HZ

Model	@45/130				@45/110				@45/100			Electrical Data RLA LRA MCC			Displacement IN ³ /REV CM ³ /REV		
	Capacity BTU/H WATTS		Motor Input WATTS	EER/COP BTU/WH W/W	Capacity BTU/H	Motor Input WATTS	EER/COP BTU/WH	Capacity BTU/H	Motor Input WATTS	EER/COP BTU/WH							
220/200 VOLTS - 3 Phase																	
H25D76QDBL	73985	21709	6575	11.3	3.3	95151	5183	18.4	88298	5688	15.5	#	#	#	190	86.4	
H25D84QDBL	81603	23944	7250	11.3	3.3	104951	5717	18.4	97393	6273	15.5	#	#	#	194	88.2	
H25D92QDBL	89965	26398	7990	11.3	3.3	115703	6303	18.4	107371	6916	15.5	#	#	#	194	88.2	
H25D99QDBL	95660	28069	8495	11.3	3.3	123030	6702	18.4	114170	7354	15.5	#	#	#	206	93.6	
H25D10QDBL	104315	30608	9265	11.3	3.3	134163	7309	18.4	124499	8019	15.5	#	#	#	206	93.6	
H25D11QDBL	107705	31603	9890	10.9	3.2	134175	8056	16.7	125219	8727	14.3	#	#	#	216	98.2	
H25D12QDBL	118227	34690	10860	10.9	3.2	147283	8843	16.7	137452	9580	14.3	#	#	#	216	98.2	
H25D14QDBL	138565	40658	12725	10.9	3.2	172615	10363	16.7	161094	11227	14.3	#	#	#	216	98.2	
230/200 VOLTS - 3 Phase																	
H25D76QDBL	73985	21709	6575	11.3	3.3	95151	5183	18.4	88298	5688	15.5	#	#	#	190	86.4	
H25D84QDBL	81603	23944	7250	11.3	3.3	104951	5717	18.4	97393	6273	15.5	#	#	#	194	88.2	
H25D92QDBL	89965	26398	7990	11.3	3.3	115703	6303	18.4	107371	6916	15.5	#	#	#	194	88.2	
H25D99QDBL	95660	28069	8495	11.3	3.3	123030	6702	18.4	114170	7354	15.5	#	#	#	206	93.6	
H25D10QDBL	104315	30608	9265	11.3	3.3	134163	7309	18.4	124499	8019	15.5	#	#	#	206	93.6	
H25D11QDBL	107705	31603	9890	10.9	3.2	134175	8056	16.7	125219	8727	14.3	#	#	#	216	98.2	
H25D12QDBL	118227	34690	10860	10.9	3.2	147283	8843	16.7	137452	9580	14.3	#	#	#	216	98.2	
H25D14QDBL	138565	40658	12725	10.9	3.2	172615	10363	16.7	161094	11227	14.3	#	#	#	216	98.2	
460 VOLTS - 3 Phase																	
H25D76QDBE	73985	21709	6575	11.3	3.3	95151	5183	18.4	88298	5688	15.5	#	#	#	190	86.4	
H25D84QDBE	81605	23945	7250	11.3	3.3	104951	5717	18.4	97393	6273	15.5	#	#	#	194	88.2	
H25D92QDBE	89965	26398	7990	11.3	3.3	115702	6303	18.4	107372	6916	15.5	#	#	#	194	88.2	
H25D99QDBE	95660	28069	8495	11.3	3.3	123029	6702	18.4	114171	7354	15.5	#	#	#	206	93.6	
H25D10QDBE	104315	30608	9265	11.3	3.3	134163	7309	18.4	124499	8019	15.5	#	#	#	206	93.6	
H25D11QDBE	107705	31603	9890	10.9	3.2	134176	8056	16.7	125218	8727	14.3	#	#	#	216	98.2	
H25D12QDBE	118230	34691	10860	10.9	3.2	147283	8843	16.7	137452	9580	14.3	#	#	#	216	98.2	
H25D14QDBE	138565	40658	12725	10.9	3.2	172615	10363	16.7	161094	11227	14.3	#	#	#	216	98.2	
575 VOLTS - 3 Phase																	
H25D76QDBF	73985	21709	6570	11.3	3.3	95151	5183	18.4	88298	5688	15.5	#	#	#	190	86.4	
H25D84QDBF	81605	23945	7250	11.3	3.3	104951	5717	18.4	97393	6273	15.5	#	#	#	194	88.2	
H25D92QDBF	89965	26398	7990	11.3	3.3	115702	6303	18.4	107372	6916	15.5	#	#	#	194	88.2	
H25D99QDBF	95660	28069	8495	11.3	3.3	123029	6702	18.4	114171	7354	15.5	#	#	#	206	93.6	
H25D10QDBF	104315	30608	9265	11.3	3.3	134163	7309	18.4	124499	8019	15.5	#	#	#	206	93.6	
H25D11QDBF	107705	31603	9890	10.9	3.2	134176	8056	16.7	125218	8727	14.3	#	#	#	216	98.2	
H25D12QDBF	118230	34691	10860	10.9	3.2	147283	8843	16.7	137452	9580	14.3	#	#	#	216	98.2	
H25D14QDBF	138565	40658	12725	10.9	3.2	172615	10363	16.7	161094	11227	14.3	#	#	#	216	98.2	

H25DQ SERIES

50 HZ

380/415 VOLTS - 3 Phase																	
H25D76QDBE	62890	18453	5460	11.5	3.4	40378	2210	18.3	37516	2436	15.4	#	#	#	190	86.4	
H25D84QDBE	68550	20114	7250	9.5	2.8	44537	2437	18.3	41380	2687	15.4	#	#	#	194	88.2	
H25D92QDBE	75570	22174	6660	11.3	3.3	49099	2687	18.3	45620	2962	15.4	#	#	#	194	88.2	
H25D99QDBE	81311	23858	7077	11.5	3.4	52208	2857	18.3	48509	3150	15.4	#	#	#	206	93.6	
H25D10QDBE	90754	26629	7690	11.8	3.5	57021	3070	18.6	52910	3368	15.7	#	#	#	206	93.6	
H25D11QDBE	93703	27494	8209	11.4	3.3	57328	3573	16.0	53854	3882	13.9	#	#	#	216	98.2	
H25D12QDBE	102858	30181	9011	11.4	3.3	62929	3922	16.0	59115	4261	13.9	#	#	#	216	98.2	
H25D14QDBE	120550	35372	10561	11.4	3.3	73753	4596	16.0	69282	4994	13.9	#	#	#	216	98.2	
500 VOLTS - 3 Phase																	
H25D76QDBF	62890	18453	5460	11.5	3.4	40378	2210	18.3	37516	2436	15.4	#	#	#	190	86.4	
H25D84QDBF	68550	20114	6020	11.4	3.3	44537	2437	18.3	41380	2687	15.4	#	#	#	194	88.2	
H25D92QDBF	75570	22174	6660	11.3	3.3	49099	2687	18.3	45620	2962	15.4	#	#	#	194	88.2	
H25D99QDBF	81311	23858	7077	11.5	3.4	52208	2857	18.3	48509	3150	15.4	#	#	#	206	93.6	
H25D10QDBF	90754	26629	7690	11.8	3.5	57021	3106	18.4	52910	3408	15.5	#	#	#	206	93.6	
H25D11QDBF	93703	27494	8209	11.4	3.3	57328	3573	16.0	53854	3882	13.9	#	#	#	216	98.2	
H25D12QDBF	102858	30181	9011	11.4	3.3	74034	3922	18.9	69547	4261	16.3	#	#	#	216	98.2	
H25D14QDBF	120550	35372	10561	11.4	3.3	73753	4596	16.0	69282	4994	13.9	#	#	#	216	98.2	

H25DQ SERIES

60 HZ

Model	Oil Charge OZ L	Weight				ELECTRICAL START COMPONENTS			DIMENSIONS *DIAGRAMS FOUND ON PAGE 88						
		Net	Ship	Kg		Run Capacitor MFD/VOLTS	Start Capacitor MFD/VOLTS	G.E. Relay	A		B		C		
		Lbs	Lbs	Lbs	Kg	MFD/VOLTS	MFD/VOLTS	Relay	IN	MM	IN	MM	IN	MM	
220/200 VOLTS - 3 Phase															
H25D76QDBL	#	#	190.0	86.4	198	90.0	-Not Req'd	-Not Req'd	-Not Req'd	18.1	460.1	19.4	491.9	19.8	503.5
H25D84QDBL	#	#	194.0	88.2	202	91.8	-Not Req'd	-Not Req'd	-Not Req'd	18.1	460.1	19.5	494.9	20.0	506.8
H25D92QDBL	#	#	194.0	88.2	202	91.8	-Not Req'd	-Not Req'd	-Not Req'd	18.1	460.1	18.8	475.9	19.2	487.8
H25D99QDBL	#	#	206.0	93.6	214	97.3	-Not Req'd	-Not Req'd	-Not Req'd	19.1	483.7	20.4	518.3	20.9	530.2
H25D10QDBL	#	#	206.0	93.6	214	97.3	-Not Req'd	-Not Req'd	-Not Req'd	19.4	491.9	20.8	526.6	21.2	538.6
H25D11QDBL	#	#	216.0	98.2	224	101.8	-Not Req'd	-Not Req'd	-Not Req'd	19.4	491.9	20.8	526.6	21.2	538.6
H25D12QDBL	#	#	216.0	98.2	224	101.8	-Not Req'd	-Not Req'd	-Not Req'd	19.4	491.9	20.0	507.6	20.5	519.5
H25D14QDBL	#	#	216.0	98.2	224	101.8	-Not Req'd	-Not Req'd	-Not Req'd	19.4	491.9	20.0	507.6	20.5	519.5
230/200 VOLTS - 3 Phase															
H25D76QDBL	#	#	190.0	86.4	198	90.0	-Not Req'd	-Not Req'd	-Not Req'd	18.1	460.1	19.4	491.9	19.8	503.5
H25D84QDBL	#	#	194.0	88.2	202	91.8	-Not Req'd	-Not Req'd	-Not Req'd	18.1	460.1	19.5	494.9	20.0	506.8
H25D92QDBL	#	#	194.0	88.2	202	91.8	-Not Req'd	-Not Req'd	-Not Req'd	18.1	460.1	18.8	475.9	19.2	487.8
H25D99QDBL	#	#	206.0	93.6	214	97.3	-Not Req'd	-Not Req'd	-Not Req'd	19.1	483.7	20.4	518.3	20.9	530.2
H25D10QDBL	#	#	206.0	93.6	214	97.3	-Not Req'd	-Not Req'd	-Not Req'd	19.4	491.9	20.8	526.6	21.2	538.6
H25D11QDBL	#	#	216.0	98.2	224	101.8	-Not Req'd	-Not Req'd	-Not Req'd	19.4	491.9	20.8	526.6	21.2	538.6
H25D12QDBL	#	#	216.0	98.2	224	101.8	-Not Req'd	-Not Req'd	-Not Req'd	19.4	491.9	20.0	507.6	20.5	519.5
H25D14QDBL	#	#	216.0	98.2	224	101.8	-Not Req'd	-Not Req'd	-Not Req'd	19.4	491.9	20.0	507.6	20.5	519.5
460 VOLTS - 3 Phase															
H25D76QDBE	#	#	190.0	86.4	198	90.0	-Not Req'd	-Not Req'd	-Not Req'd	18.1	460.1	19.4	491.9	19.8	503.5
H25D84QDBE	#	#	194.0	88.2	202	91.8	-Not Req'd	-Not Req'd	-Not Req'd	18.1	460.1	19.5	494.9	20.0	506.8
H25D92QDBE	#	#	194.0	88.2	202	91.8	-Not Req'd	-Not Req'd	-Not Req'd	18.1	460.1	18.8	475.9	19.2	487.8
H25D99QDBE	#	#	206.0	93.6	214	97.3	-Not Req'd	-Not Req'd	-Not Req'd	19.4	491.9	20.8	526.6	21.2	538.6
H25D10QDBE	#	#	206.0	93.6	214	97.3	-Not Req'd	-Not Req'd	-Not Req'd	19.4	491.9	20.8	526.6	21.2	538.6
H25D11QDBE	#	#	216.0	98.2	224	101.8	-Not Req'd	-Not Req'd	-Not Req'd	19.4	491.9	20.8	526.6	21.2	538.6
H25D12QDBE	#	#	216.0	98.2	224	101.8	-Not Req'd	-Not Req'd	-Not Req'd	19.4	491.9	20.0	507.6	20.5	519.5
H25D14QDBE	#	#	216.0	98.2	224	101.8	-Not Req'd	-Not Req'd	-Not Req'd	19.4	491.9	20.0	507.6	20.5	519.5
575 VOLTS - 3 Phase															
H25D76QDBF	#	#	190.0	86.4	198	90.0	-Not Req'd	-Not Req'd	-Not Req'd	18.1	460.1	19.4	491.9	19.8	

H25G SERIES

60 HZ

Model	@45/130						@45/100			@45/110			Electrical Data RLA LRA MCC			Displacement IN ³ /REV CM ³ /REV		
	Capacity BTU/H WATTS		Motor Input WATTS	EER/COP BTU/WH W/W		Capacity BTU/H	Motor Input WATTS	EER BTU/WH	Capacity BTU/H	Motor Input WATTS	EER BTU/WH							
230/208 VOLTS - 3 Phase																		
H25G094DBD	90500	26555	8380	10.8	3.2	114778	6162	18.6	108098	7118	15.2	25.2	190	41.0	9.99	163.70		
H25G104DBD	102000	29929	9445	10.8	3.2	125877	6866	18.3	119418	7937	15.0	29.8	228	52.0	11.19	183.29		
H25G124DBD	118000	34624	11030	10.7	3.1	151352	9118	16.6	141334	9770	14.5	35.2	264	58.0	12.61	206.57		
H25G144DBD	140000	41079	13860	10.1	3.0	181781	11514	15.8	167854	12295	13.7	43.1	252	69.0	15.05	246.47		
H25G184DPY	179000	52522	17100	10.5	3.1	243563	13753	17.7	222917	14788	15.1	49.0	292	84.0	20.44	334.79		
H25G204DPY	209988	61615	19443	10.8	3.2	275548	16159	17.1	253892	17276	14.7	59.2	380	100	23.28	381.36		
H25G244DPD	245089	71914	22868	10.7	3.1	315192	19106	16.5	291841	20364	14.3	66.6	360	112	26.80	439.00		
H25G294DPD	290000	85092	28715	10.1	3.0	342208	26090	13.1	368290	24768	14.9	82.4	400	138	31.02	508.11		
460/380 VOLTS - 3 Phase																		
H25G094DBV	90500	26555	8380	10.8	3.2	114778	6162	18.6	108098	7118	15.2	12.6	95	20.5	9.99	163.70		
H25G104DBV	102000	29929	9445	10.8	3.2	125877	6866	18.3	119418	7937	15.0	15.0	115	26.0	11.19	183.29		
H25G124DBV	118000	34624	11030	10.7	3.1	151352	9118	16.6	141334	9770	14.5	17.6	129	29.5	12.61	206.57		
H25G184DPV	181000	53109	16760	10.8	3.2	243563	13753	17.7	222917	14788	15.1	24.5	145	44.0	20.44	334.79		
H25G204DPV	212750	62425	20290	10.5	3.1	275548	16159	17.1	253892	17276	14.7	29.7	181	55.0	23.28	381.36		
H25G244DPV	250750	73575	24350	10.3	3.0	315192	19106	16.5	291841	20364	14.3	38.5	279	67.0	26.80	439.00		
H25G294DPE	290000	85092	28715	10.1	3.0	342208	26090	13.1	368290	24768	14.9	41.2	200	69.0	31.02	508.11		
460 VOLTS - 3 Phase																		
H25G144DBE	140000	41079	13860	10.1	3.0	181781	11514	15.8	167854	12295	13.7	21.6	126	34.5	15.05	246.47		

H25G SERIES

50 HZ

220/200 VOLTS - 3 Phase																		
H25G094DBD	75417	22129	6983	10.8	3.2	95649	5135	18.6	90082	5932	15.2	25.2	190	41.0	9.99	163.70		
H25G104DBD	85000	24941	7871	10.8	3.2	104697	5705	18.4	99273	6594	15.1	29.8	228	52.0	11.19	183.29		
H25G124DBD	98333	28853	9192	10.7	3.1	126126	7599	16.6	117778	8142	14.5	35.2	264	58.0	12.61	206.57		
H25G144DBD	116667	34233	11550	10.1	3.0	151485	9595	15.8	139878	10246	13.7	43.1	252	69.0	15.05	246.47		
H25G204DPD	169500	49735	16150	10.5	3.1	175000	16157	10.8	229569	13438	17.1	51.2	322	84.0	23.28	381.36		
H25G244DPD	204224	59924	19057	10.7	3.1	262664	15922	16.5	243205	16970	14.3	66.6	360	112	26.80	438.98		
H25G294DPD	241621	70897	23911	10.1	3.0	306809	20628	14.9	285090	21728	13.1	82.4	400	138	31.02	508.11		
380/415 VOLTS - 3 Phase																		
H25G094DBV	75417	22129	6983	10.8	3.2	95649	5135	18.6	90082	5932	15.2	12.6	95	20.5	9.99	163.70		
H25G104DBV	85000	24941	7871	10.8	3.2	104697	5705	18.4	99273	6594	15.1	15.0	115	26.0	11.19	183.29		
H25G124DBV	98333	28853	9192	10.7	3.1	126126	7599	16.6	117778	8142	14.5	17.6	129	29.5	12.61	206.57		
H25G144DBE	116667	34233	11550	10.1	3.0	151485	9595	15.8	139878	10246	13.7	21.6	126	34.5	15.05	246.47		
H25G184DPV	150833	44258	13967	10.8	3.2	202845	11455	17.7	185641	12316	15.1	25.7	117	40.0	19.99	327.40		
H25G204DPV	175000	51349	16204	10.8	3.2	229569	13438	17.1	211541	14364	14.7	31.4	141	49.0	22.38	366.57		
H25G244DPV	204167	59907	19083	10.7	3.1	262664	15922	16.5	243205	16970	14.3	33.3	180	56.0	25.22	413.14		
H25G294DPE	241621	70897	23911	10.1	3.0	306809	20628	14.9	285090	21728	13.1	41.2	200	69.0	31.02	508.11		

*Data Subject to Revision

H25G SERIES

60 HZ

Model	ELECTRICAL START COMPONENTS						DIMENSIONS *DIAGRAMS FOUND ON PAGE 88											
	Oil Charge		Weight Net Ship				Run Capacitor		Start Capacitor		G.E. Relay		A		B		C	
	OZ	L	Lbs	Kg	Lbs	Kg	MFD/VOLTS	MFD/VOLTS			IN	MM	IN	MM	IN	MM	IN	MM
230/208 VOLTS - 3 Phase																		
H25G094DBD	96	2.8	146	66.4	155	70.5	-Not Req'd	-Not Req'd	-Not Req'd	9.0	228.4	18.3	465.5	18.7	473.6			
H25G104DBD	96	2.8	154	70.0	163	74.1	-Not Req'd	-Not Req'd	-Not Req'd	9.0	228.4	19.6	496.9	19.9	505.1			
H25G124DBD	96	2.8	164	74.5	173	78.6	-Not Req'd	-Not Req'd	-Not Req'd	9.0	228.4	20.3	516.0	20.6	524.1			
H25G144DBD	96	2.8	167	75.9	176	80.0	-Not Req'd	-Not Req'd	-Not Req'd	9.0	228.4	20.6	522.3	20.9	530.4			
H25G184DPY	224	6.6	237	107.7	249	113.2	-Not Req'd	-Not Req'd	-Not Req'd	11.8	299.5	20.5	520.8	21.2	537.5			
H25G204DPY	224	6.6	241	109.5	253	115.0	-Not Req'd	-Not Req'd	-Not Req'd	11.8	299.5	20.8	527.1	21.4	543.9			
H25G244DPD	224	6.6	259	117.7	271	123.2	-Not Req'd	-Not Req'd	-Not Req'd	11.8	299.2	21.8	552.5	22.4	569.3			
H25G294DPD	224	6.6	259	117.7	271	123.2	-Not Req'd	-Not Req'd	-Not Req'd	11.8	299.5	21.8	552.5	22.4	569.3			
460/380 VOLTS - 3 Phase																		
H25G094DBV	96	2.8	146	66.4	155	70.5	-Not Req'd	-Not Req'd	-Not Req'd	9.0	228.4	20.3	516.0	20.6	524.1			
H25G104DBV	96	2.8	154	70.0	163	74.1	-Not Req'd	-Not Req'd	-Not Req'd	9.0	228.4	20.3	516.0	20.6	524.1			
H25G124DBV	96	2.8	164	74.5	173	78.6	-Not Req'd	-Not Req'd	-Not Req'd	9.0	228.4	20.3	516.0	20.6	524.1			
H25G184DPV	224	6.6	237	107.7	249	113.2	-Not Req'd	-Not Req'd	-Not Req'd	11.8	299.5	20.5	520.8	21.2	537.5			
H25G204DPV	224	6.6	241	109.5	253	115.0	-Not Req'd	-Not Req'd	-Not Req'd	11.8	299.5	20.8	527.1	21.4	543.9			
H25G244DPV	224	6.6	259	117.7	271	123.2	-Not Req'd	-Not Req'd	-Not Req'd	11.8	299.2	21.8	552.5	22.4	569.3			
H25G294DPE	224	6.6	259	117.7	271	123.2	-Not Req'd	-Not Req'd	-Not Req'd	11.8	299.5	21.8	552.5	22.4	569.3			
460 VOLTS - 3 Phase																		
H25G144DBE	96	2.8	167	75.9	176	80.0	-Not Req'd	-Not Req'd	-Not Req'd	9.0	228.4	20.6	522.3	20.9	530.4			

H25G SERIES

50 HZ

220/200 VOLTS - 3 Phase																		
H25G094DBD	96	2.8	146	66.4	155	70.5	-Not Req'd	-Not Req'd	-Not Req'd	9.0	228.4	18.3	465.5	18.7	473.6			
H25G104DBD	96	2.8	154	70.0	163	74.1	-Not Req'd	-Not Req'd	-Not Req'd	9.0	228.4	19.6	496.9	19.9	505.1			
H25G124DBD	96	2.8	164	74.5	173	78.6	-Not Req'd	-Not Req'd	-Not Req'd	9.0	228.4	20.3	516.0	20.6	524.1			
H25G144DBD	96	2.8	167	75.9	176	80.0	-Not Req'd	-Not Req'd	-Not Req'd	9.0	228.4	20.6	522.3	20.9	530.4			
H25G204DPD	224	6.6	241	109.5	253	115.0	-Not Req'd	-Not Req'd	-Not Req'd	11.8	299.5	20.8	527.1	21.4	543.9			
H25G244DPD	224	6.6	259	117.7	271	123.2	-Not Req'd	-Not Req'd	-Not Req'd	11.8	299.2	21.8	552.5	22.4	569.3			
H25G294DPD	224	6.6	259	117.7	271	123.2	-Not Req'd	-Not Req'd	-Not Req'd	11.8	299.5	21.8	552.5	22.4	569.3			
380/415 VOLTS - 3 Phase																		
H25G094DBV	96	2.8	146	66.4	155	70.5	-Not Req'd	-Not Req'd	-Not Req'd	9.0	228.4	18.3	465.5	18.7	473.6			
H25G104DBV	96	2.8	154	70.0	163	74.1	-Not Req'd	-Not Req'd	-Not Req'd	9.0	228.4	19.6	496.9	19.9	505.1			
H25G124DBV	96	2.8	164	74.5	173	78.6	-Not Req'd	-Not Req'd	-Not Req'd	9.0	228.4	20.3	516.0	20.6	524.1			
H25G144DBE	96	2.8	167	75.9	176	80.0	-Not Req'd	-Not Req'd	-Not Req'd	9.0	228.4	20.6	522.3	20.9	530.4			
H25G184DPV	224	6.6	241	109.5	253	115.0	-Not Req'd	-Not Req'd	-Not Req'd	11.8	299.5	20.5	520.8	21.2	537.5			
H25G204DPV	224	6.6	248	112.7	260	118.2	-Not Req'd	-Not Req'd	-Not Req'd	11.8	299.5	20.8	527.1	21.4	543.9			
H25G244DPV	224	6.6	257	116.8	269	122.3	-Not Req'd	-Not Req'd	-Not Req'd	11.8	299.2	21.8	552.5	22.4	569.3			
H25G294DPE	224	6.6	259	117.7	271	123.2	-Not Req'd	-Not Req'd	-Not Req'd	11.8	299.5	21.8	552.5	22.4	569.3			

H75G SERIES (R407C)

60 HZ

Model	@45/130						@45/100			@45/110			Electrical Data RLA LRA MCC			Displacement IN ³ /REV CM ³ /REV	
	Capacity BTU/H WATTS		Motor Input WATTS	EER/COP BTU/WH W/W		Capacity BTU/H	Motor Input WATTS	EER BTU/WH	Capacity BTU/H	Motor Input WATTS	EER BTU/WH						
460/380 VOLTS - 3 Phase																	
H75G204DPV	185768	54508	17751	10.5	3.1	275972	15306	18.0	237926	16183	14.7	29.7	181	55.0	23.26	380.98	
H75G244DPV	216852	63629	20876	10.4	3.0	315646	18100	17.4	273462	19076	14.3	38.5	279	67.0	26.80	439.00	
H75G294DPV	256627	75300	26213	9.8	2.9	368645	23459	15.7	320691	24441	13.1	42.1	250	70.0	31.02	508.11	
460 VOLTS - 3 Phase																	
H75G094DBE	79985	23469	7792	10.3	3.0	125015	6555	19.1	107878	7286	14.8	12.7	95	20.5	10.22	167.40	
H75G124DBE	107851	31646	10221	10.6	3.1	160284	8472	18.9	140557	9441	14.9	17.0	130	33.0	12.61	206.57	
H75G144DBE	141100	41400	13980	10.1	3.0	137300	11240	12.2	167950	12157	13.8	21.6	138	34.5	15.05	246.50	

H75G SERIES (R407C)

50 HZ

380/415 VOLTS - 3 Phase																	
H75G094DBE	66654	19558	6493	10.3	3.0	104179	5463	19.1	89898	6072	14.8	12.6	95	20.5	10.22	167.40	
H75G124DBE	89876	26372	8517	10.6	3.1	133570	7060	18.9	117131	7867	14.9	17.0	130	33.0	12.61	206.57	
H75G144DBE	107258	31472	10765	10.0	2.9	164385	9365	17.6	139949	10131	13.8	21.6	126	34.5	15.05	246.47	
H75G204DPV	154807	45424	14792	10.5	3.1	229976	12755	18.0	198271	13486	14.7	28.2	170	51.0	23.26	380.98	
H75G244DPV	180710	53024	17397	10.4	3.0	263038	15083	17.4	227885	15896	14.3	36.3	290	53.0	26.80	439.00	
H75G294DPV	213856	62750	21844	9.8	2.9	307204	19549	15.7	267243	20367	13.1	40.4	258	61.0	31.02	508.11	

H2BG SERIES

60 HZ

230/208 VOLTS - 3 Phase																	
H2BG094DBD	88700	26026	8580	10.3	3.0	118016	6912	17.1	108684	7517	14.5	24.0	145	40.0	10.22	167.40	
H2BG104DBD	103900	30486	10025	10.4	3.0	130782	8057	16.2	121853	8774	13.9	29.3	166	45.0	11.63	190.50	
H2BG124DBD	121500	35651	12030	10.1	3.0	156344	9923	15.8	144193	10668	13.5	36.0	205	56.0	13.40	219.49	
460 VOLTS - 3 Phase																	
H2BG094DBE	88700	26026	8580	10.3	3.0	118016	6912	17.1	108684	7517	14.5	12.3	72	19.0	10.22	167.40	
H2BG104DBE	103900	30486	10025	10.4	3.0	130782	8057	16.2	121853	8774	13.9	14.6	87	22.0	11.63	190.50	
H2BG124DBE	119000	34917	12010	9.9	2.9	118445	6946	17.1	108273	7600	14.2	17.0	85	25.0	13.40	219.49	
575 VOLTS - 3 Phase																	
H2BG094DBF	88200	25879	8600	10.3	3.0	118500	6950	17.1	108300	7600	14.3	10.0	60	14.5	10.22	167.42	
H2BG124DBF	119000	34916	12050	9.9	2.9	156900	9800	16.0	143100	10700	13.4	13.4	66	20.0	13.40	219.52	

H2BG SERIES

50 HZ

220/200 - 3 Phase																	
H2BG094DBD	72400	21244	7020	10.3	3.0	114231	6707	17.0	103663	7219	14.4	23.7	145	34.5	10.22	167.40	
H2BG104DBD	84390	24762	8155	10.3	3.0	114231	6707	17.0	103663	7219	14.4	29.0	175	42.6	11.63	190.50	
H2BG124DBD	100000	29342	9800	10.2	3.0	130286	8167	16.0	119852	8807	13.6	36.0	215	51.0	13.40	219.49	
380/415 - 3 Phase																	
H2BG094DBE	72400	21244	7020	10.3	3.0	100323	5789	17.3	89966	6186	14.5	12.0	72	18.0	10.22	167.40	
H2BG104DBE	84390	24762	8155	10.3	3.0	114231	6707	17.0	103663	7219	14.4	14.2	77	20.2	11.63	190.50	
H2BG124DBE	97000	28462	9790	9.9	2.9	126417	8058	15.7	116292	8689	13.4	16.5	80	25.0	13.40	219.49	

H75G SERIES (R407C)

60 HZ

Model	Oil Charge OZ L		Weight Net Ship Lbs Kg Lbs Kg				ELECTRICAL START COMPONENTS			DIMENSIONS *DIAGRAMS FOUND ON PAGE 88					
							Run Capacitor MFD/VOLTS	Start Capacitor MFD/VOLTS	G.E. Relay	A		B		C	
	IN	MM	IN	MM	IN	MM	IN	MM							
460/380 VOLTS - 3 Phase															
H75G204DPV	224	6.6	248	112.7	260	118.2	-Not Req'd	-Not Req'd	-Not Req'd	11.8	299.5	20.8	527.1	21.4	543.9
H75G244DPV	224	6.6	257	116.8	269	122.3	-Not Req'd	-Not Req'd	-Not Req'd	11.8	299.2	21.8	552.5	22.4	569.3
H75G294DPV	224	6.6	268	121.8	280	127.3	-Not Req'd	-Not Req'd	-Not Req'd	11.8	299.2	21.8	552.5	22.4	569.3
460 VOLTS - 3 Phase															
H75G094DBE	96	2.8	146	66.4	155	70.5	-Not Req'd	-Not Req'd	-Not Req'd	9.0	228.4	18.3	465.5	18.7	473.6
H75G124DBE	96	2.8	164	74.5	173	78.6	-Not Req'd	-Not Req'd	-Not Req'd	9.0	228.4	20.3	516.0	20.6	524.1
H75G144DBE	96	2.8	167.0	76.0	176.0	80.1	-Not Req'd	-Not Req'd	-Not Req'd	9.0	228.3	20.6	522.1	20.9	530.2

H75G SERIES (R407C)

50 HZ

380/415 VOLTS - 3 Phase															
H75G094DBE	96	2.8	146	66.4	155	70.5	-Not Req'd	-Not Req'd	-Not Req'd	9.0	228.4	18.3	465.5	18.7	473.6
H75G124DBE	96	2.8	164	74.5	173	78.6	-Not Req'd	-Not Req'd	-Not Req'd	9.0	228.4	20.3	516.0	20.6	524.1
H75G144DBE	96	2.8	167	75.9	176	80.0	-Not Req'd	-Not Req'd	-Not Req'd	9.0	228.4	20.6	522.3	20.9	530.4
H75G204DPV	224	6.6	248	112.7	260	118.2	-Not Req'd	-Not Req'd	-Not Req'd	11.8	299.5	20.8	527.1	21.4	543.9
H75G244DPV	224	6.6	257	116.8	269	122.3	-Not Req'd	-Not Req'd	-Not Req'd	11.8	299.5	21.8	552.5	22.4	569.3
H75G294DPV	224	6.6	268	121.8	280	127.3	-Not Req'd	-Not Req'd	-Not Req'd	11.8	299.5	21.8	552.5	22.4	569.3

H2BG SERIES

60 HZ

230/208 VOLTS - 3 Phase															
H2BG094DBD	96	2.8	128	58.2	138	62.7	-Not Req'd	-Not Req'd	-Not Req'd	9	228.4	17.6	446.4	17.9	454.6
H2BG104DBD	96	2.8	144	65.5	153	69.5	-Not Req'd	-Not Req'd	-Not Req'd	9	228.4	18.3	465.5	18.7	473.6
H2BG124DBD	96	2.8	146	66.4	155	70.5	-Not Req'd	-Not Req'd	-Not Req'd	9	228.4	18.3	465.5	18.7	473.6
460 VOLTS - 3 Phase															
H2BG094DBE	96	2.8	128	58.2	138	62.7	-Not Req'd	-Not Req'd	-Not Req'd	9	228.4	17.6	446.4	17.9	454.6
H2BG104DBE	96	2.8	144	65.5	153	69.5	-Not Req'd	-Not Req'd	-Not Req'd	9	228.4	18.3	465.5	18.7	473.6
H2BG124DBE	96	2.8	146	66.4	155	70.5	-Not Req'd	-Not Req'd	-Not Req'd	9	228.4	18.3	465.5	18.7	473.6
575 VOLTS - 3 Phase															
H2BG094DBF	96	2.8	128.0	58.2	138.0	62.8	-Not Req'd	-Not Req'd	-Not Req'd	9.0	228.3	17.6	446.3	17.9	454.4
H2BG124DBF	96	2.8	146.0	66.4	155.0	70.5	-Not Req'd	-Not Req'd	-Not Req'd	9.0	228.3	18.3	465.3	18.7	473.4

H2BG SERIES

50 HZ

220/200 VOLTS - 3 Phase															
H2BG094DBD	96	2.8	128	58.2	138	62.7	-Not Req'd	-Not Req'd	-Not Req'd	9	228.4	17.6	446.4	17.9	454.6
H2BG104DBD	96	2.8	144	65.5	153	69.5	-Not Req'd	-Not Req'd	-Not Req'd	9	228.4	18.3	465.5	18.7	473.6
H2BG124DBD	96	2.8	146	66.4	155	70.5	-Not Req'd	-Not Req'd	-Not Req'd	9	228.4	18.3	465.5	18.7	473.6
380/415 VOLTS - 3 Phase															
H2BG094DBE	96	2.8	128	58.2	138	62.7	-Not Req'd	-Not Req'd	-Not Req'd	9	228.4	17.6	446.4	17.9	454.6
H2BG104DBE	96	2.8	144	65.5	153	69.5	-Not Req'd	-Not Req'd	-Not Req'd	9	228.4	18.3	465.5	18.7	473.6
H2BG124DBE	96	2.8	146	66.4	155	70.5	-Not Req'd	-Not Req'd	-Not Req'd	9	228.4	18.3	465.5	18.7	473.6

H2NG SERIES

60 HZ

Model	@45/130				@45/100			@45/110			Electrical Data			Displacement		
	Capacity		Motor Input	EER/COP		Capacity	Motor Input	EER	Capacity	Motor Input						EER
	BTU/H	WATTS	WATTS	BTU/WH	W/W	BTU/H	WATTS	BTU/WH	BTU/H	WATTS	BTU/WH					
230/208 VOLTS - 3 Phase																
H2NG184DPD	183200	53755	17740	10.3	3.0	240628	14222	16.9	221942	15483	14.3	51.8	234	80.0	20.44	334.81
H2NG204FRD	212400	62323	20870	10.2	3.0	274724	17063	16.1	255610	18456	13.8	60.0	282	98.0	23.26	381.00
H2NG244FRD	252900	74206	25400	10.0	2.9	324489	21149	15.3	298669	22506	13.3	73.1	360	112	26.80	438.98
H2NG294FPD	287300	84300	30370	9.5	2.8	364519	25633	14.2	341781	27132	12.6	87.7	400	138	31.02	508.11
460 VOLTS - 3 Phase																
H2NG184DPE	183200	53755	17740	10.3	3.0	240628	14222	16.9	221942	15483	14.3	25.9	117	40.0	20.44	334.81
H2NG204DRE	212400	62323	20870	10.2	3.0	274724	17063	16.1	255610	18456	13.8	30.0	141	49.0	23.26	381.00
H2NG244DRE	252900	74206	25400	10.0	2.9	324489	21149	15.3	298669	22506	13.3	36.6	180	56.0	26.80	438.98
H2NG294DPE	287300	84300	30370	9.5	2.8	364523	25633	14.2	341775	27132	12.6	43.9	200	69.0	31.02	508.11
575 VOLTS - 3 Phase																
H2NG184DPF	183200	53755	17740	10.3	3.0	240628	14222	16.9	221942	15483	14.3	20.7	94	32.0	20.44	334.79
H2NG204DRF	212400	62323	20870	10.2	3.0	274724	17063	16.1	255610	18456	13.8	24.0	113	39.2	23.26	380.98
H2NG244DRF	252900	74206	25400	10.0	2.9	324489	21149	15.3	298669	22506	13.3	29.3	144	44.8	26.80	439.00
H2NG294DPF	287300	84300	30370	9.5	2.8	364519	25633	14.2	341781	27132	12.6	35.1	160	55.2	31.02	508.11

H2NG SERIES

50 HZ

220/200 - 3 Phase																
H2NG184DPD	147200	43192	14250	10.3	3.0	203697	11861	17.2	184535	12776	14.4	53.5	265	80	20.44	334.81
H2NG204FRD	173680	50961	16770	10.4	3.0	233895	13773	17.0	214271	14857	14.4	62.0	320	98	23.26	381.00
H2NG244FRD	199850	58640	20220	9.9	2.9	261705	16843	15.5	240930	18039	13.4	75.0	400	112	26.80	438.98
H2NG294FPD	238000	69834	25300	9.4	2.8	312204	20968	14.9	287031	22518	12.7	90.5	450	138	31.02	508.11
380/415 - 3 Phase																
H2NG184DPE	147200	43192	14250	10.3	3.0	203697	11861	17.2	184535	12776	14.4	26.0	125	40	20.44	334.81
H2NG204DRE	173680	50961	16770	10.4	3.0	233895	13773	17.0	214271	14857	14.4	30.0	150	49	23.26	381.00
H2NG244DRE	199850	58640	20220	9.9	2.9	261705	16843	15.5	240903	18039	13.4	36.5	190	56	26.80	438.98
H2NG294DPE	238000	69834	25300	9.4	2.8	312204	20968	14.9	287031	22518	12.7	44.0	215	69	31.02	508.11

*Data Subject to Revision

H2NG SERIES

60 HZ

Model	Oil Charge		Weight				ELECTRICAL START COMPONENTS			DIMENSIONS						
							Run Capacitor	Start Capacitor	G.E. Relay	*DIAGRAMS FOUND ON PAGE 89						
	OZ	L	Lbs	Net Kg	Ship Lbs	Kg	MFD/VOLTS	MFD/VOLTS		IN	MM	IN	MM	IN	MM	
230/208 VOLTS - 3 Phase																
H2NG184DPD	224	6.6	241	109.5	252	114.5	-Not Req'd	-Not Req'd	-Not Req'd	11.8	299.5	21.8	552.0	22.4	568.8	
H2NG204FRD	224	6.6	248	112.7	259	117.7	-Not Req'd	-Not Req'd	-Not Req'd	11.8	299.5	21.8	552.0	22.4	568.8	
H2NG244FRD	224	6.6	257	116.8	272	123.6	-Not Req'd	-Not Req'd	-Not Req'd	11.8	299.5	21.8	552.0	22.4	568.8	
H2NG294FPD	224	6.6	268	121.8	279	126.8	-Not Req'd	-Not Req'd	-Not Req'd	11.8	299.5	21.8	552.0	22.4	568.8	
460 VOLTS - 3 Phase																
H2NG184DPE	224	6.6	241	109.5	252	114.5	-Not Req'd	-Not Req'd	-Not Req'd	11.8	299.5	21.8	552.0	22.4	568.8	
H2NG204DRE	224	6.6	248	112.7	259	117.7	-Not Req'd	-Not Req'd	-Not Req'd	11.8	299.5	21.8	552.0	22.4	568.8	
H2NG244DRE	224	6.6	257	116.8	272	123.6	-Not Req'd	-Not Req'd	-Not Req'd	11.8	299.5	21.8	552.0	22.4	568.8	
H2NG294DPE	224	6.6	268	121.8	279	126.8	-Not Req'd	-Not Req'd	-Not Req'd	11.8	299.5	21.8	552.0	22.4	568.8	
575 VOLTS - 3 Phase																
H2NG184DPF	224	6.6	241	109.5	253	115	-Not Req'd	-Not Req'd	-Not Req'd	11.8	299.5	21.8	552.0	22.4	568.8	
H2NG204DRF	224	6.6	248	112.7	260	118.2	-Not Req'd	-Not Req'd	-Not Req'd	11.8	299.5	21.8	552.0	22.4	568.8	
H2NG244DRF	224	6.6	257	116.8	269	122.3	-Not Req'd	-Not Req'd	-Not Req'd	11.8	299.5	21.8	552.0	22.4	568.8	
H2NG294DPF	224	6.6	268	121.8	280	127.3	-Not Req'd	-Not Req'd	-Not Req'd	11.8	299.5	21.8	552.0	22.4	568.8	

H2NG SERIES

50 HZ

220/200 VOLTS - 3 Phase																
H2NG184DPD	224	6.6	241	109.5	252	114.5	-Not Req'd	-Not Req'd	-Not Req'd	11.8	299.5	21.8	552.0	22.4	568.8	
H2NG204FRD	224	6.6	248	112.7	259	117.7	-Not Req'd	-Not Req'd	-Not Req'd	11.8	299.5	21.8	552.0	22.4	568.8	
H2NG244FRD	224	6.6	257	116.8	272	123.6	-Not Req'd	-Not Req'd	-Not Req'd	11.8	299.5	21.8	552.0	22.4	568.8	
H2NG294FPD	224	6.6	268	121.8	279	126.8	-Not Req'd	-Not Req'd	-Not Req'd	11.8	299.5	21.8	552.0	22.4	568.8	
380/415 VOLTS - 3 Phase																
H2NG184DPE	224	6.6	241	109.5	252	114.5	-Not Req'd	-Not Req'd	-Not Req'd	11.8	299.5	21.8	552.0	22.4	568.8	
H2NG204DRE	224	6.6	248	112.7	259	117.7	-Not Req'd	-Not Req'd	-Not Req'd	11.8	299.5	21.8	552.0	22.4	568.8	
H2NG244DRE	224	6.6	257	116.8	272	123.6	-Not Req'd	-Not Req'd	-Not Req'd	11.8	299.5	21.8	552.0	22.4	568.8	
H2NG294DPE	224	6.6	268	121.8	279	126.8	-Not Req'd	-Not Req'd	-Not Req'd	11.8	299.5	21.8	552.0	22.4	568.8	

*Data Subject to Revision

H2NG SERIES TWO SPEED COMPRESSORS 50 HZ

Model	@45/130						@45/100			@45/110			Electrical Data			Displacement	
	Capacity		Motor Input	EER/COP		Capacity	Motor Input	EER	Capacity	Motor Input	EER	RLA	LRA	MCC	IN ³ /REV	CM ³ /REV	
	BTU/H	WATTS	BTU/WH	W/W	BTU/H	WATTS	BTU/WH	BTU/H	WATTS	BTU/WH							
220/200 VOLTS - 3 Phase - 2 Speed																	
H2NG094GPD-1	29600	8680	3910	7.6	2.2	43000	2900	14.8	38500	3240	11.9	13.0	48				
H2NG094GPD-2	70000	20528	7100	9.9	2.9	95250	6100	15.6	86850	6420	13.5	26.0	140	41.4	10.22	172.51	
H2NG104GPD-1	36725	10770	4500	8.2	2.4	51490	3360	15.3	46600	3740	12.5	15.5	56				
H2NG104GPD-2	84600	24809	8325	10.2	3.0	113450	7040	16.1	103850	7470	13.9	31.0	162	48.0	11.63	196.31	
H2NG124GPD-1	43800	12845	5470	8.0	2.3	60900	4110	14.8	55200	4570	12.1	18.5	66				
H2NG124GPD-2	99400	29150	10160	9.8	2.9	131450	8510	15.4	120760	9060	13.3	37.0	192	56.3	13.94	235.31	
H2NG184GPD-1	66025	19373	7310	9.0	2.7	198109	11694	16.9	181336	12574	14.4	26.5	92				
H2NG184GPD-2	147200	43192	14250	10.3	3.0	90293	5535	16.3	82204	6127	13.4	53.0	265	88	20.44	334.81	
H2NG204GPD-1	80140	23515	8490	9.4	2.8	106557	6518	16.3	97414	7176	13.6	31.0	116				
H2NG204GPD-2	173680	50961	16670	10.4	3.1	227893	13940	16.3	209997	14906	14.1	62.0	316	98	23.26	381.00	
H2NG244GPD-1	88000	25821	10180	8.6	2.5	117569	7959	14.8	107723	8699	12.4	37.5	133				
H2NG244GPD-2	199850	58640	20220	9.9	2.9	257091	16889	15.2	238056	18006	13.2	75.0	400	124	26.79	438.82	
380/415 VOLTS - 3 Phase - 2 Speed																	
H2NG094GPE-1	29600	8680	3910	7.6	2.2	43000	2900	14.8	38500	3240	11.9	7.3	23				
H2NG094GPE-2	70000	20528	7100	9.9	2.9	95250	6100	15.6	86850	6420	13.5	11.9	66	20.7	10.22	172.51	
H2NG104GPE-1	36725	10770	4500	8.2	2.4	51490	3360	15.3	46600	3740	12.5	8.6	26				
H2NG104GPE-2	84600	24809	8325	10.2	3.0	113450	7040	16.1	103850	7470	13.9	14.3	76	24.0	11.63	196.31	
H2NG124GPE-1	43800	12845	5470	8.0	2.3	60900	4110	14.8	55200	4570	12.1	10.2	33				
H2NG124GPE-2	99400	29150	10160	9.8	2.9	131450	8510	15.4	120760	9060	13.3	17.1	90	29.5	13.94	235.31	
H2NG184GPE-1	66025	19373	7310	9.0	2.7	90293	5535	16.3	82204	6127	13.4	14.0	44				
H2NG184GPE-2	147200	43192	14250	10.3	3.0	198109	11694	16.9	181336	12574	14.4	24.6	126	44	20.44	334.81	
H2NG204GPE-1	80140	23515	8490	9.4	2.8	106286	6519	16.3	97564	7175	13.6	16.4	55				
H2NG204GPE-2	173680	50961	16770	10.4	3.0	227893	13940	16.3	209997	14906	14.1	38.9	150	49	23.26	381.00	
H2NG244GPE-1	88000	25821	10180	8.6	2.5	117569	7959	14.8	107723	8699	12.4	19.6	63				
H2NG244GPE-2	199850	58640	20220	9.9	2.9	257091	16889	15.2	238056	18006	13.2	35.2	188	62	26.79	438.82	
500 VOLTS - 3 Phase - 2 Speed																	
H2NG094GPF-1	29600	8680	3910	7.6	2.2	43000	2900	14.8	38500	3240	11.9	20.0	6				
H2NG094GPF-2	70000	20528	7100	9.9	2.9	95250	6100	15.6	86850	6420	13.5	58.0	10	16.6	10.22	172.51	
H2NG104GPF-1	36725	10770	4500	8.2	2.4	51490	3360	15.3	46600	3740	12.5	23.0	6				
H2NG104GPF-2	84600	24809	8325	10.2	3.0	113450	7040	16.1	103850	7470	13.9	68.0	12	19.2	11.63	196.31	
H2NG124GPF-1	43800	12845	5470	8.0	2.3	60900	4110	14.8	55200	4570	12.1	27.0	7				
H2NG124GPF-2	99400	29150	10160	9.8	2.9	131450	8510	15.4	120760	9060	13.3	80.0	15	23.6	13.40	226.19	
H2NG184GPF-1	66025	19373	7310	9.0	2.7	90293	5535	16.3	82204	6127	13.4	38.0	10				
H2NG184GPF-2	147200	43192	14250	10.3	3.0	198109	11694	16.9	181336	12574	14.4	104.0	21	35.2	20.44	334.79	
H2NG204GPF-1	80140	23515	8490	9.4	2.8	106286	6519	16.3	97564	7175	13.6	46.0	12				
H2NG204GPF-2	173680	50961	16770	10.4	3.0	227893	13940	16.3	209997	14906	14.1	125.0	25	39.2	23.26	380.98	
H2NG244GPF-1	88000	25821	10180	8.6	2.5	117569	7959	14.8	107723	8699	12.4	52.0	14				
H2NG244GPF-2	199850	58640	20220	9.9	2.9	257091	16889	15.2	238056	18006	13.2	151.0	30	54.2	26.80	439.00	

*Data Subject to Revision

H2NG SERIES TWO SPEED COMPRESSORS 50 HZ

Model	Oil Charge		Weight				ELECTRICAL START COMPONENTS			DIMENSIONS								
	OZ	L	Net	Ship	Lbs	Kg	Run Capacitor	Start Capacitor	G.E.	*DIAGRAMS FOUND ON PAGE 88								
							MFD/VOLTS	MFD/VOLTS	Relay	A	B	C	IN	MM	IN	MM	IN	MM
220/200 VOLTS - 3 Phase - 2 Speed																		
H2NG094GPD	112	3.3	153.0	69.5	162.0	73.6	-Not Req'd	-Not Req'd	-Not Req'd	9.0	228.6	17.1	434.2	17.4	442.1			
H2NG094GPD	112	3.3	153.0	69.5	162.0	73.6	-Not Req'd	-Not Req'd	-Not Req'd	9.0	228.6	17.1	434.2	17.4	442.1			
H2NG104GPD	112	3.3	157.0	71.4	166.0	75.5	-Not Req'd	-Not Req'd	-Not Req'd	9.0	228.6	17.1	434.2	17.4	442.1			
H2NG104GPD	112	3.3	157.0	71.4	166.0	75.5	-Not Req'd	-Not Req'd	-Not Req'd	9.0	228.6	17.1	434.2	17.4	442.1			
H2NG124GPD	112	3.3	165.0	75.0	174.0	79.1	-Not Req'd	-Not Req'd	-Not Req'd	9.0	228.6	17.8	453.2	18.2	461.2			
H2NG124GPD	112	3.3	165.0	75.0	174.0	79.1	-Not Req'd	-Not Req'd	-Not Req'd	9.0	228.6	17.8	453.2	18.2	461.2			
H2NG184GPD	256	7.6	241	109.5	252	114.5	-Not Req'd	-Not Req'd	-Not Req'd	11.8	299.5	21.8	552.0	22.4	568.8			
H2NG184GPD	256	7.6	241	109.5	252	114.5	-Not Req'd	-Not Req'd	-Not Req'd	11.8	299.5	21.8	552.0	22.4	568.8			
H2NG204GPD	256	7.6	248	112.7	259	117.7	-Not Req'd	-Not Req'd	-Not Req'd	11.8	299.5	21.8	552.0	22.4	568.8			
H2NG204GPD	256	7.6	248	112.7	259	117.7	-Not Req'd	-Not Req'd	-Not Req'd	11.8	299.5	21.8	552.0	22.4	568.8			
H2NG244GPD	256	7.6	257	116.8	272	123.6	-Not Req'd	-Not Req'd	-Not Req'd	11.8	299.5	21.8	552.0	22.4	568.8			
H2NG244GPD	256	7.6	257	116.8	272	123.6	-Not Req'd	-Not Req'd	-Not Req'd	11.8	299.5	21.8	552.0	22.4	568.8			
380/415 VOLTS - 3 Phase - 2 Speed																		
H2NG094GPE	112	3.3	153.0	69.5	162.0	73.6	-Not Req'd	-Not Req'd	-Not Req'd	9.0	228.6	17.1	434.2	17.4	442.1			
H2NG094GPE	112	3.3	153.0	69.5	162.0	73.6	-Not Req'd	-Not Req'd	-Not Req'd	9.0	228.6	17.1	434.2	17.4	442.1			
H2NG104GPE	112	3.3	157.0	71.4	166.0	75.5	-Not Req'd	-Not Req'd	-Not Req'd	9.0	228.6	17.1	434.2	17.4	442.1			
H2NG104GPE	112	3.3	157.0	71.4	166.0	75.5	-Not Req'd	-Not Req'd	-Not Req'd	9.0	228.6	17.1	434.2	17.4	442.1			
H2NG124GPE	112	3.3	165.0	75.0	174.0	79.1	-Not Req'd	-Not Req'd	-Not Req'd	9.0	228.6	17.8	453.2	18.2	461.2			
H2NG124GPE	112	3.3	165.0	75.0	174.0	79.1	-Not Req'd	-Not Req'd	-Not Req'd	9.0	228.6	17.8	453.2	18.2	461.2			
H2NG184GPE	256	7.6	241	109.5	252	114.5	-Not Req'd	-Not Req'd	-Not Req'd	11.8	299.5	21.8	552.0	22.4	568.8			
H2NG184GPE	256	7.6	241	109.5	252	114.5	-Not Req'd	-Not Req'd	-Not Req'd	11.8	299.5	21.8	552.0	22.4	568.8			
H2NG204GPE	224	6.6	248	112.7	259	117.7	-Not Req'd	-Not Req'd	-Not Req'd	11.8	299.5	21.8	552.0	22.4	568.8			
H2NG204GPE	256	7.6	248	112.7	259	117.7	-Not Req'd	-Not Req'd	-Not Req'd	11.8	299.5	21.8	552.0	22.4	568.8			
H2NG244GPE	256	7.6	257	116.8	272	123.6	-Not Req'd	-Not Req'd	-Not Req'd	11.8	299.5	21.8	552.0	22.4	568.8			
H2NG244GPE	256	7.6	257	116.8	272	123.6	-Not Req'd	-Not Req'd	-Not Req'd	11.8	299.5	21.8	552.0	22.4	568.8			
500 VOLTS - 3 Phase - 2 Speed																		
H2NG094GPF	112	3.3	153.0	69.5	162.0	73.6	-Not Req'd	-Not Req'd	-Not Req'd	9.0	228.6	17.1	434.2	17.4	442.1			
H2NG094GPF	112	3.3	153.0	69.5	162.0	73.6	-Not Req'd	-Not Req'd	-Not Req'd	9.0	228.6	17.1	434.2	17.4	442.1			
H2NG104GPF	112	3.3	157.0	71.4	166.0	75.5	-Not Req'd	-Not Req'd	-Not Req'd	9.0	228.6	17.1	434.2	17.4	442.1			
H2NG104GPF	112	3.3	157.0	71.4	166.0	75.5	-Not Req'd	-Not Req'd	-Not Req'd	9.0	228.6	17.1	434.2	17.4	442.1			
H2NG124GPF	112	3.3	165.0	75.0	174.0	79.1	-Not Req'd	-Not Req'd	-Not Req'd	9.0	228.6	17.8	453.2	18.2	461.2			
H2NG124GPF	112	3.3	165.0	75.0	174.0	79.1	-Not Req'd	-Not Req'd	-Not Req'd	9.0	228.6	17.8	453.2	18.2	461.2			
H2NG184GPF	256	7.6	241	109.5	252	114.5	-Not Req'd	-Not Req'd	-Not Req'd	11.8	299.5	21.8	552.0	22.4	568.8			
H2NG184GPF	256	7.6	241	109.5	253	115	-Not Req'd	-Not Req'd	-Not Req'd	11.8	299.5	21.8	552.0	22.4	568.8			
H2NG204GPF	256	7.6	248	112.7	260	118.2	-Not Req'd	-Not Req'd	-Not Req'd	11.8	299.5	21.8	552.0	22.4	568.8			
H2NG204GPF	256	7.6	248	112.7	260	118.2	-Not Req'd	-Not Req'd	-Not Req'd	11.8	299.5	21.8	552.0	22.4	568.8			
H2NG244GPF	256	7.6																

H7BG SERIES (R407C)

60 HZ

Model	@45/130				@45/100			@45/110			Electrical Data RLA LRA MCC			Displacement IN ³ /REV CM ³ /REV		
	Capacity BTU/H WATTS		Motor Input WATTS	EER/COP BTU/WH W/W	Capacity BTU/H	Motor Input WATTS	EER BTU/WH	Capacity BTU/H	Motor Input WATTS	EER BTU/WH						
	230/208 VOLTS - 3 Phase															
H7BG104DBD	91948	26979	9154	10.0	2.9	130835	7632	17.1	114207	8218	13.9	29.3	166	45.0	11.63	190.50
H7BG124DBD	107491	31540	10982	9.8	2.9	156617	9400	16.7	135056	9993	13.5	36.0	205	56.0	13.40	219.51
460 VOLTS - 3 Phase																
H7BG094DBE	79985	23469	7792	10.3	3.0	125015	6555	19.1	107878	7286	14.8	12.3	72	19.0	10.22	167.40
H7BG104DBE	93469	27426	9337	10.0	2.9	141961	7637	18.6	123011	8556	14.4	14.6	87	22.0	11.63	190.50
H7BG124DBE	109026	31991	11261	9.7	2.8	165599	9294	17.8	143328	10359	13.8	17.8	85	25.0	13.40	219.51

H7BG SERIES (R407C)

50 HZ

220/200 VOLTS - 3 Phase																
H7BG104DBD	74678	21912	7444	10.0	2.9	114589	6353	18.0	97065	6761	14.4	29.0	170	42.6	11.63	190.50
H7BG124DBD	88455	25955	9056	9.8	2.9	130496	7735	16.9	112295	8250	13.6	36.0	215	51.0	13.40	219.51
380/415 VOLTS - 3 Phase																
H7BG094DBE	66654	19558	6493	10.3	3.0	104179	5463	19.1	89898	6072	14.8	12.0	72	18.0	10.22	167.40
H7BG104DBE	77891	22855	7781	10.0	2.9	118301	6364	18.6	102509	7130	14.4	14.2	77	20.2	11.63	190.50
H7BG124DBE	90855	26659	9385	9.7	2.8	137999	7745	17.8	119440	8632	13.8	16.5	80	25.0	13.40	219.51

H7NG SERIES (R407C)

60 HZ

230/208 VOLTS - 3 Phase																
H7NG204FRD	187976	55156	18999	9.9	2.9	274859	16163	17.0	239731	17287	13.9	60.0	282	98.0	23.26	380.98
H7NG294FPD	254374	74639	27710	9.2	2.7	364648	24286	15.0	320596	25415	12.6	87.7	400	138	31.02	508.11
460 VOLTS - 3 Phase																
H7NG184DPE	165689	48617	15963	10.4	3.0	253217	13084	19.4	221958	14650	15.2	25.9	117	40.0	20.44	334.79
H7NG204DRE	190256	55825	18651	10.2	3.0	289648	15403	18.8	254942	17213	14.8	30.0	141	49.0	23.26	380.98
H7NG244DRE	223238	65503	22398	10.0	2.9	329836	18801	17.5	287970	20737	13.9	36.6	180	56.0	26.80	439.00
H7NG294DPE	254374	74639	27710	9.2	2.7	364648	24286	15.0	320596	25415	12.6	43.9	200	69.0	31.02	508.11
575 VOLTS - 3 Phase																
H7NG294DPF	254374	74639	27710	9.2	2.7	364648	24286	15.0	320596	25415	12.6	35.1	160	55.0	31.02	508.11

H7NG SERIES (R407C)

50 HZ

220/200 VOLTS - 3 Phase																
H7NG204FRD	153689	45096	15305	10.0	2.9	234250	13046	18.0	200881	13919	14.4	62.0	225	98.0	23.30	381.65
H7NG294FPD	210620	61800	23090	9.1	2.7	312674	19861	15.7	268957	21096	12.7	90.5	450	138	31.02	508.11
380/415 VOLTS - 3 Phase																
H7NG184DPE	138074	40514	13303	10.4	3.0	211014	10904	19.4	184965	12208	15.2	26.0	125	40.0	20.44	334.79
H7NG204DRE	158547	46521	15542	10.2	3.0	241373	12836	18.8	212452	14344	14.8	30.0	150	49.0	23.26	380.98
H7NG244DRE	186032	54586	18665	10.0	2.9	274864	15668	17.5	239975	17281	13.9	36.5	190	56.0	26.80	439.00
H7NG294DPE	211978	62199	23092	9.2	2.7	303873	20239	15.0	267163	21179	12.6	44.0	215	69.0	31.02	508.11

*Data Subject to Revision

H7BG SERIES (R407C)

60 HZ

Model	Oil Charge OZ L		Weight Net Ship Lbs Kg Lbs Kg				ELECTRICAL START COMPONENTS			DIMENSIONS *DIAGRAMS FOUND ON PAGE 88					
							Run Capacitor MFD/VOLTS	Start Capacitor MFD/VOLTS	G.E. Relay	A		B		C	
	IN	MM	IN	MM	IN	MM									
230/208 VOLTS - 3 Phase															
H7BG104DBD	96	2.8	144	65.5	153	69.5	-Not Req'd	-Not Req'd	-Not Req'd	9	228.4	18.3	465.5	18.7	473.6
H7BG124DBD	96	2.8	146	66.4	155	70.5	-Not Req'd	-Not Req'd	-Not Req'd	9	228.4	18.3	465.5	18.7	473.6
460 VOLTS - 3 Phase															
H7BG094DBE	96	2.8	128	58.2	138	62.7	-Not Req'd	-Not Req'd	-Not Req'd	9	228.4	17.6	446.4	17.9	454.6
H7BG104DBE	96	2.8	144	65.5	153	69.5	-Not Req'd	-Not Req'd	-Not Req'd	9	228.4	18.3	465.5	18.7	473.6
H7BG124DBE	96	2.8	146	66.4	155	70.5	-Not Req'd	-Not Req'd	-Not Req'd	9	228.4	18.3	465.5	18.7	473.6

H7BG SERIES (R407C)

50 HZ

220/200 VOLTS - 3 Phase															
H7BG104DBD	96	2.8	144	65.5	153	69.5	-Not Req'd	-Not Req'd	-Not Req'd	9	228.4	18.3	465.5	18.7	473.6
H7BG124DBD	96	2.8	146	66.4	155	70.5	-Not Req'd	-Not Req'd	-Not Req'd	9	228.4	18.3	465.5	18.7	473.6
380/415 VOLTS - 3 Phase															
H7BG094DBE	96	2.8	128	58.2	138	62.7	-Not Req'd	-Not Req'd	-Not Req'd	9	228.4	17.6	446.4	17.9	454.6
H7BG104DBE	96	2.8	144	65.5	153	69.5	-Not Req'd	-Not Req'd	-Not Req'd	9	228.4	18.3	465.5	18.7	473.6
H7BG124DBE	96	2.8	146	66.4	155	70.5	-Not Req'd	-Not Req'd	-Not Req'd	9	228.4	18.3	465.5	18.7	473.6

H7NG SERIES (R407C)

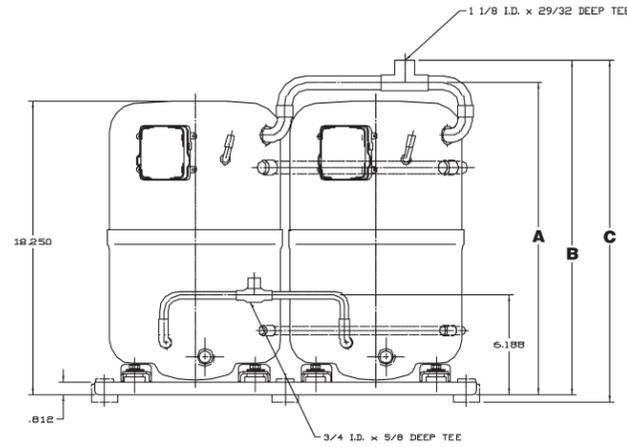
60 HZ

230/208 VOLTS - 3 Phase															
H7NG204FRD	224	6.6	248	112.7	260	118.2	-Not Req'd	-Not Req'd	-Not Req'd	11.8	299.5	21.8	552.0	22.4	568.8
H7NG294FPD	224	6.6	268	121.8	280	127.3	-Not Req'd	-Not Req'd	-Not Req'd	11.8	299.5	21.8	552.0	22.4	568.8
460 VOLTS - 3 Phase															
H7NG184DPE	224	6.6	241	109.5	253	115.0	-Not Req'd	-Not Req'd	-Not Req'd	11.8	299.5	21.8	552.0	22.4	568.8
H7NG204DRE	224	6.6	248	112.7	260	118.2	-Not Req'd	-Not Req'd	-Not Req'd	11.8	299.5	21.8	552.0	22.4	568.8
H7NG244DRE	224	6.6	247	112.3	269	122.3	-Not Req'd	-Not Req'd	-Not Req'd	11.8	299.5	21.8	552.0	22.4	568.8
H7NG294DPE	224	6.6	268	121.8	280	127.3	-Not Req'd	-Not Req'd	-Not Req'd	11.8	299.5	21.8	552.0	22.4	568.8
575 VOLTS - 3 Phase															
H7NG294DPF	224	6.6	268	121.8	280	127.3	-Not Req'd	-Not Req'd	-Not Req'd	11.8	299.5	21.8	552.0	22.4	568.8

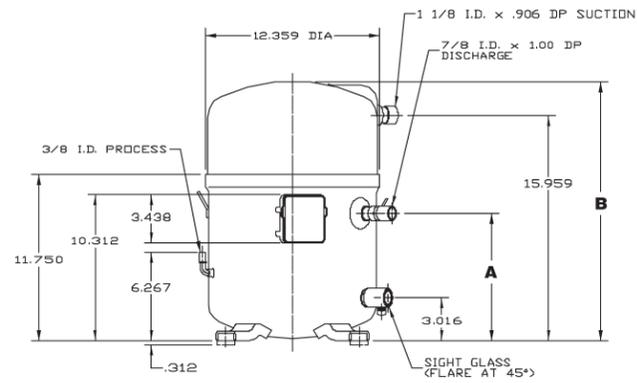
H7NG SERIES (R407C)

50 HZ

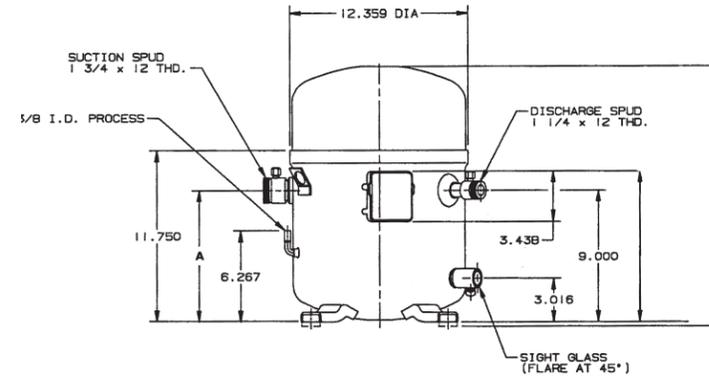
220/200 VOLTS - 3 Phase															
H7NG204FRD	224	6.6	248	112.7	260	118.2	-Not Req'd	-Not Req'd	-Not Req'd	11.8	299.5	21.8	552.0	22.4	568.8
H7NG294FPD	224	6.6	268	121.8	280	127.3	-Not Req'd	-Not Req'd	-Not Req'd	11.8	299.5	21.8	552.0	22.4	568.8
380/415 VOLTS - 3 Phase															
H7NG184DPE	224	6.6	241	109.5	253	115.0	-Not Req'd	-Not Req'd	-Not Req'd	11.8	299.5	21.8	552.0	22.4	568.8
H7NG204DRE	224	6.6	248	112.7	260	118.2	-Not Req'd	-Not Req'd	-Not Req'd	11.8	299.5	21.8	552.0	22.4	568.8
H7NG244DRE	224	6.6	257	116.8	269	122.3	-Not Req'd	-Not Req'd	-Not Req'd	11.8	299.5	21.8	552.0	22.4	568.8
H7NG294DPE	224	6.6	268	121.8	280	127.3	-Not Req'd	-Not Req'd	-Not Req'd	11.8	299.5	21.8	552.0	22.4	568.8



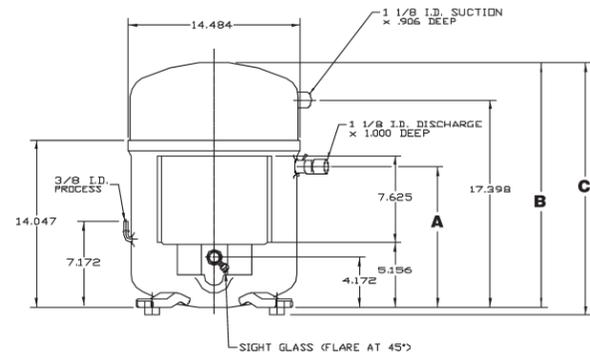
H25D



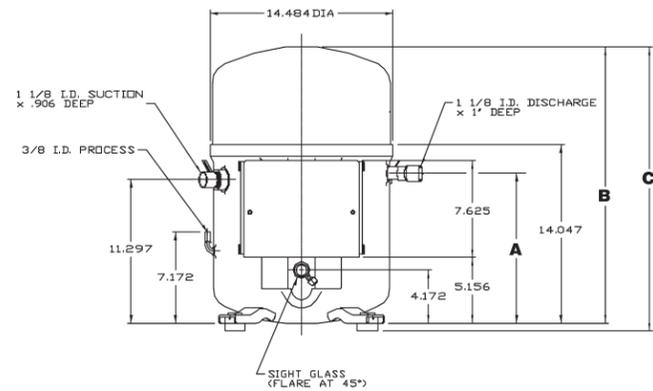
H25G & H75G
(094-144)



H2BG & H7BG

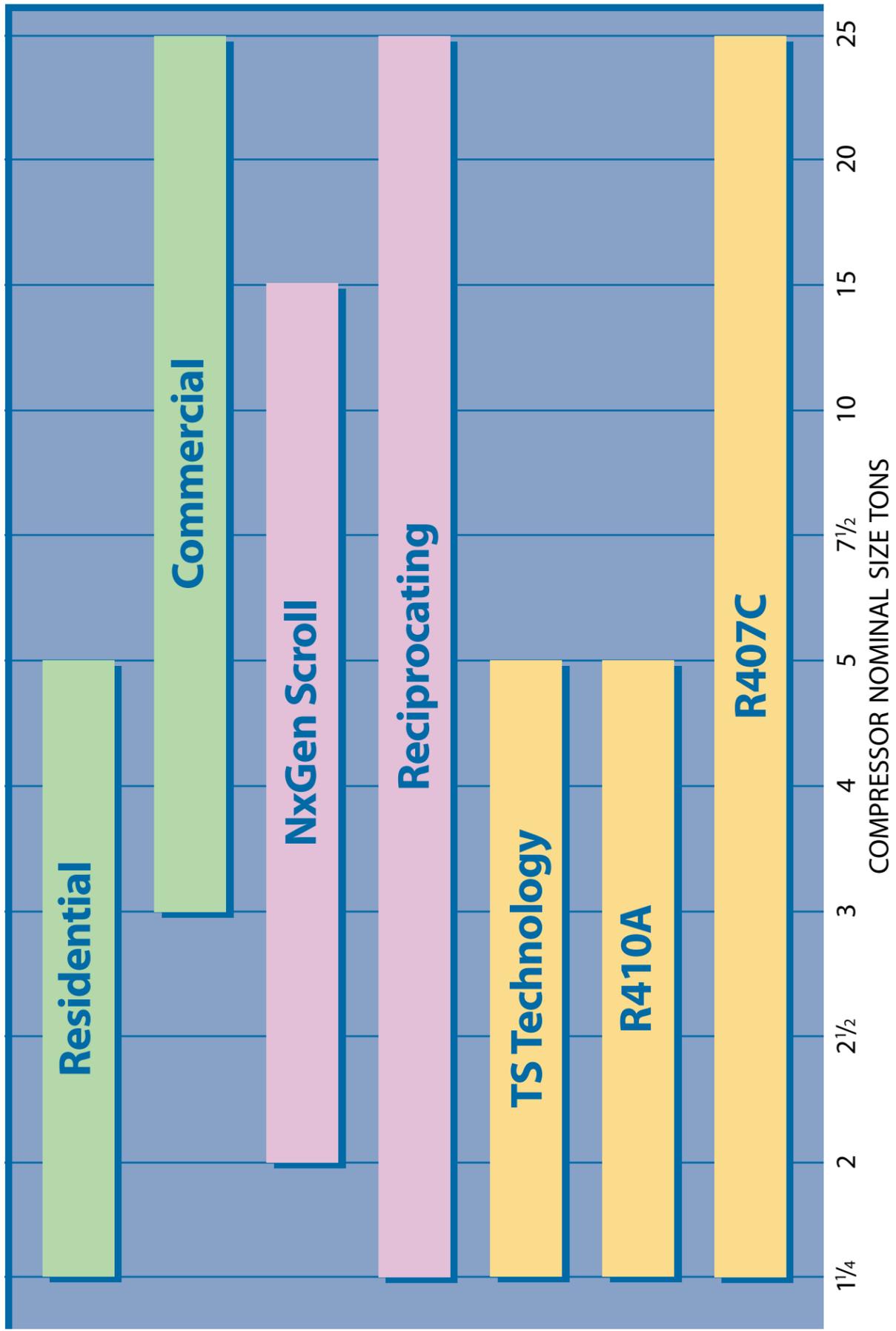


H25G & H75G
(184-294)



H2NG & H7NG
(184-294)

Bristol Compressors Innovation



Best of Both



Quiet. Reliable. Efficient.

Bristol 
compressors
www.bristolcompressors.com

COMING SOON