

# COPELAND COMPRESSORS

## R404A Reciprocating Compressors

### Capacities R404A

Airefrig Part Number		Refrigeration Capacity - <u>Watts</u>						Consumption – <u>Power</u> Displ cm <sup>3</sup> /r	Current – <u>Amps</u>				Kgs					
		Condensing Temperature °C							Motor									
		Evaporating Temperature °C							HP	Type	*Amps	LRA						
		-30	-25	-20	-15	-10	-5	0										
<b>CS10K6EPFJ55R</b> <b>CS10K6EPFJ595</b> - Rotalock Valve Kit - CSR Electrics & Box - Crankcase Heater - Oil Sight Glass - POE Oil  <b>CS10K6EPFJ58R</b> - Suction Rotalock - Disch. Stub Tube - CSR Electrics & Box - Crankcase Heater - Oil Sight Glass - POE Oil	W				1720	2300	2950	3700	38.1	1.30	CSR	MCC 14.2  RLA 10.1	55.0	31				
	P	45.0				1130	1280	1400							1516			
	A				6.2	6.7	7.2	7.7										
	W				1395	1915	2500	3150										
	P	50.0				1110	1280	1430							1563			
	A				6.1	6.7	7.4	7.9										
	W				1080	1545	2055	2622										
	P	55.0				1070	1270	1440							1590			
	A				5.9	6.7	7.4	8.0										
<b>CS12K6EPFJ55R</b> - Rotalock Valve Kit - CSR Electrics & Box - Crankcase Heater - Oil Sight Glass - POE Oil	W				1980	2675	3400	4150	44.4	1.80	CSR	MCC 15.2  RLA 10.9	55.0	31				
	P	45.0				1250	1440	1590							1690			
	A				6.3	7.1	7.8	8.3										
	W				1650	2270	2950	3617										
	P	50.0				1230	1450	1630							1763			
	A				6.3	7.2	8.0	8.7										
	W				1315	1865	2455	3038										
	P	55.0				1200	1440	1650							1817			
	A				6.1	7.1	8.1	8.9										
<b>CS14K6EPFJ595</b> - Rotalock Valve Kit - CSR Electrics & Box - Crankcase Heater - Oil Sight Glass - POE Oil  <b>CS14K6EPFJ525</b> - Stub Tubes - CSR Electrics & Box - Crankcase Heater - POE Oil	W				924	1360	1930	2590	48.6	2.00	CSR	MCC 14.5  RLA 10.4	58.0	32				
	P	45.0				912	1110	1320							1530	1720	1890	2040
	A				5.5	6.4	7.5	8.5							9.5	10.4	11.2	
	W				758	1115	1620	2205							2865	3600	4350	
	P	50.0				870	1080	1300							1530	1740	1930	2097
	A				5.3	6.3	7.3	8.5							9.6	10.6	11.6	
	W				870	1305	1815	2385							3000	3667		
	P	55.0				1030	1260	1500							1740	1950	2150	
	A				6.0	7.2	8.4	9.6							10.7	11.9		
<b>CS14K6ETFD55R</b> <b>CS14K6ETFD595</b> - Rotalock Valve Kit - Crankcase Heater - Oil Sight Glass - POE Oil	W				924	1360	1930	2590	48.6	2.00	3Ph	MCC 6.6  RLA 4.7	28.0	32				
	P	45.0				885	1080	1280							1480	1670	1840	1973
	A				2.2	2.6	3.0	3.5							3.9	4.2	4.5	
	W				758	1115	1620	2205							2865	3600	4350	
	P	50.0				844	1050	1260							1480	1690	1880	2030
	A				2.1	2.5	3.0	3.4							3.9	4.3	4.6	
	W				870	1305	1815	2385							3000	3667		
	P	55.0				1000	1230	1460							1680	1890	2090	
	A				2.4	2.9	3.4	3.9							4.4	4.7		
<b>CS18K6EPFJ595</b> - Rotalock Valve Kit - CSR Electrics & Box - Crankcase Heater - Oil Sight Glass - POE Oil  <b>CS18K6EPFJ235</b> <b>CS18K6EPFJ525</b> - Stub Tubes - CSR Electrics & Box - Crankcase Heater - POE Oil	W				1074	1580	2295	3150	61.4	2.50	CSR	MCC 19.1  RLA 13.6	64.0	32				
	P	45.0				1110	1360	1620							1890	2150	2370	2570
	A				6.1	6.9	8.0	9.1							10.3	11.3	12.3	
	W				880	1295	1895	2655							3550	4600	5683	
	P	50.0				1060	1310	1590							1880	2170	2440	2673
	A				6.1	6.9	7.9	9.1							10.4	11.6	12.8	
	W				1055	1530	2165	2950							3850	4850		
	P	55.0				1250	1550	1860							2170	2480	2763	
	A				6.7	7.7	9.0	10.4							11.8	13.0		

Rating Conditions: 4.4 Deg Return Gas, no Sub-Cooling, 35 Deg Ambient / Supplied with: Internal Motor Protection, Rubber Mounting Kit  
 \*Amps : MCC = maximum continuous current, RLA = MCC ÷ 1.4 (Copeland advises use RLA for contactor selection)

# COPELAND COMPRESSORS

## R404A Reciprocating Compressors

### Capacities R404A

Airefrig Part Number		Refrigeration Capacity - Watts								Consumption - Power		Current - Amps				Kgs					
			Condensing Temperature °C								Displ cm³/r	Motor									
			Evaporating Temperature °C									HP	Type	*Amps	LRA						
		-30	-25	-20	-15	-10	-5	0													
<b>CS18K6ETFD55R</b> <b>CS18K6ETFD595</b> - Rotalock Valve Kit - Crankcase Heater - Oil Sight Glass - POE Oil	W	45.0	1074	1580	2295	3150	4200	5350	6517	61.4	2.50	3Ph	MCC 6.6 RLA 4.7	33.0	32						
	P		1040	1270	1530	1790	2040	2240	2390												
	A		2.8	3.3	3.8	4.4	4.9	5.3	5.6												
	W	50.0	880	1295	1895	2655	3550	4600	5683												
	P		993	1230	1500	1780	2050	2290	2473												
	A		2.7	3.2	3.8	4.4	4.9	5.5	5.8												
	W	55.0		1055	1530	2165	2950	3850	4850												
	P			1180	1460	1760	2060	2320	2537												
	A			3.1	3.7	4.3	4.9	5.5	6.0												
<b>CS20K6EPFZ545</b> - Stub Tubes - CSR Electrics & Box - Crankcase Heater - POE Oil	W	45.0	1217	1790	2575	3450	4550	5950	7617	74.3	3.00	CSR	MCC 21.5 RLA 15.4	75.9	33						
	P		1100	1420	1750	2090	2400	2690	2923												
	A		6.4	7.6	9.0	10.4	11.8	13.1	14.3												
	W	50.0	921	1355	2070	2870	3850	5050	6550												
	P		985	1330	1690	2060	2420	2750	3050												
	A		5.9	7.2	8.7	10.3	11.9	13.4	14.7												
	W	55.0		935	1590	2295	3150	4250	5500												
	P			1200	1600	2000	2400	2780	3130												
	A			6.7	8.3	10.0	11.8	13.5	15.2												
<b>CS20K6ETFD595</b> - Rotalock Valve Kit - Crankcase Heater - Oil Sight Glass - POE Oil	W	45.0	1217	1790	2575	3450	4550	5950	7617	74.3	3.00	3Ph	MCC 7.1 RLA 5.1	40	33						
	P		1110	1440	1730	2000	2270	2550	2867												
	A		3.4	4.0	4.5	5.1	5.6	6.2	6.90												
	W	50.0	921	1355	2070	2870	3850	5050	6550												
	P		964	1340	1670	1980	2280	2590	2940												
	A		3.2	3.8	4.4	5.0	5.6	6.3	7.0												
	W	55.0		935	1590	2295	3150	4250	5500												
	P			1200	1570	1920	2260	2620	2987												
	A			3.5	4.2	4.9	5.6	6.3	7.1												
<b>CS27K6ETFD595</b> - Rotalock Valve Kit - Crankcase Heater - Oil Sight Glass - POE Oil	W	45.0	1591	2340	3400	4650	6100	7750	9583	92.4	3.50	3Ph	MCC 11.8 RLA 8.5	41.0	33						
	P		1390	1810	2270	2740	3180	3580	3930												
	A		3.3	3.8	4.4	5.0	5.7	6.3	6.8												
	W	50.0	1282	1885	2785	3900	5200	6650	8317												
	P		1290	1730	2210	2710	3200	3660	4077												
	A		3.2	3.7	4.3	5.0	5.7	6.4	7.1												
	W	55.0		1510	2255	3200	4300	5600	7017												
	P			1640	2140	2670	3210	3720	4187												
	A			3.6	4.3	5.0	5.7	6.5	7.2												
<b>CS33K6ETFD595</b> - Rotalock Valve Kit - Crankcase Heater - Oil Sight Glass - POE Oil	W	45.0	2040	3000	4150	5550	7250	9300	11717	106.2	4.00	3Ph	MCC 13.8 RLA 9.9	45.0	35						
	P		1780	2280	2830	3380	3890	4320	4670												
	A		5.1	5.8	6.7	7.6	8.5	9.3	10.0												
	W	50.0	1645	2420	3400	4650	6150	8000	10250												
	P		1630	2180	2770	3360	3930	4430	4863												
	A		4.9	5.7	6.6	7.6	8.6	9.5	10.3												
	W	55.0		1925	2715	3750	5050	6750	8667												
	P			2030	2660	3320	3950	4520	5003												
	A			5.4	6.4	7.5	8.6	9.7	10.5												

Rating Conditions: 4.4 Deg Return Gas, no Sub-Cooling, 35 Deg Ambient / Supplied with: Internal Motor Protection, Rubber Mounting Kit  
\*Amps : MCC = maximum continuous current, RLA = MCC ÷ 1.4 (Copeland advises use RLA for contactor selection)

### Prices

Airefrig Part Number	List Price Excl GST
CS10K6EPFJ55R	\$1,460.72
CS10K6EPFJ595	\$1,460.72
CS10K6EPFJ58R	\$1,445.84
CS12K6EPFJ55R	\$1,558.96
CS14K6EPFJ595	\$1,552.52
CS14K6EPFJ525	\$1,360.28

Airefrig Part Number	List Price Excl GST
CS14K6EPFJ545	\$1,360.28
CS14K6ETFD55R	\$1,386.96
CS14K6ETFD595	\$1,386.96
CS18K6EPFJ595	\$1,746.96
CS18K6EPFJ235	\$1,846.72
CS18K6EPFJ525	\$1,846.72

Airefrig Part Number	List Price Excl GST
CS18K6ETFD55R	\$1,481.24
CS18K6ETFD595	\$1,481.24
CS20K6EPFZ545	\$1,489.60
CS20K6ETFD595	\$1,558.00
CS27K6ETFD595	\$1,694.08
CS33K6ETFD595	\$1,892.80

# COPELAND COMPRESSORS

## R134a Reciprocating Compressors

### Capacities R134a

Airefrig Part Number		Refrigeration Capacity - <b>Watts</b>								Consumption - <b>Power</b>		Current - <b>Amps</b>			
		Condensing Temperature °C								Displ cm <sup>3</sup> /r	Motor				Kgs
		Evaporating Temperature °C									HP	Type	*Amps	LRA	
		-15	-10	-5	0	5	10	12.8							
<b>CS10K6EPFJ55R</b> <b>CS10K6EPFJ595</b> - Rotalock Valve Kit - CSR Electrics & Box - Crankcase Heater - Oil Sight Glass - POE Oil <b>CS10K6EPFJ58R</b> - Suction Rotalock - Disch. Stub Tube - CSR Electrics & Box - Crankcase Heater - Oil Sight Glass - POE Oil	W	45.0	800	1200	1740	2390	3100	3960	4480	38.1	1.30	CSR	MCC 11.2  RLA 8.0	55.0	31
	P		624	722	822	920	995	1044	1070						
	A		4.5	4.7	5.0	5.4	5.6	5.8	5.9						
	W	50.0	650	1010	1510	2120	2790	3570	4040						
	P		593	700	815	930	1022	1089	1125						
	A		4.3	4.7	4.9	5.3	5.7	5.9	6.0						
W	55.0		840	1300	1850	2460	3190	3630							
P		679	805	928	1034	1125	1171								
A		4.5	4.9	5.3	5.7	6.1	6.3								
<b>CS12K6EPFJ55R</b> - Rotalock Valve Kit - CSR Electrics & Box - Crankcase Heater - Oil Sight Glass - POE Oil	W	45.0	980	1450	2050	2790	3600	4620	5240	44.4	1.80	CSR	MCC 15.2  RLA 10.9	55.0	31
	P		707	826	933	1034	1112	1169	1195						
	A		5.8	6.1	6.4	6.7	7.0	7.2	7.3						
	W	50.0	790	1240	1800	2490	3250	4180	4760						
	P		665	800	928	1043	1138	1217	1258						
	A		5.5	6.0	6.4	6.7	7.0	7.3	7.5						
W	55.0		1020	1550	2180	2880	3750	4270							
P		757	908	1044	1166	1261	1312								
A		5.8	6.2	6.7	7.0	7.4	7.7								
<b>CS14K6EPFJ595</b> - Rotalock Valve Kit - CSR Electrics & Box - Crankcase Heater - Oil Sight Glass - POE Oil <b>CS14K6EPFJ525</b> <b>CS14K6EPFJ545</b> - Stub Tubes - CSR Electrics & Box - Crankcase Heater - POE Oil	W	45.0	1140	1680	2380	3240	4190	5360	6060	48.6	2.00	CSR	MCC 14.5  RLA 10.4	58.0	32
	P		831	967	1095	1211	1299	1367	1403						
	A		6.9	7.2	7.5	7.9	8.2	8.5	8.6						
	W	50.0	920	1440	2090	2890	3780	4870	5530						
	P		777	930	1084	1222	1334	1431	1483						
	A		6.5	7.0	7.5	7.9	8.2	8.6	8.8						
W	55.0		1180	1790	2520	3320	4330	4940							
P		893	1066	1231	1360	1473	1534								
A		6.8	7.3	7.8	8.3	8.7	9.0								
<b>CS14K6ETFD55R</b> <b>CS14K6ETFD595</b> - Rotalock Valve Kit - Crankcase Heater - Oil Sight Glass - POE Oil	W	45.0	1140	1680	2380	3240	4190	5360	6060	48.6	2.00	3Ph	MCC 6.6  RLA 4.7	28.0	32
	P		696	805	933	1060	1156	1226	1258						
	A		2.1	2.2	2.3	2.4	2.4	2.5	2.6						
	W	50.0	920	1440	2090	2890	3780	4870	5530						
	P		675	800	934	1069	1189	1273	1319						
	A		2.0	2.1	2.2	2.4	2.5	2.5	2.6						
W	55.0		1180	1790	2520	3320	4330	4940							
P		777	928	1080	1219	1327	1383								
A		2.1	2.2	2.4	2.4	2.6	2.6								
<b>CS18K6EPFJ595</b> - Rotalock Valve Kit - CSR Electrics & Box - Crankcase Heater - Oil Sight Glass - POE Oil <b>CS18K6EPFJ235</b> <b>CS18K6EPFJ525</b> - Stub Tubes - CSR Electrics & Box - Crankcase Heater - POE Oil	W	45.0	1530	2260	3200	4340	5620	7190	8150	61.4	2.50	CSR	MCC 19.1  RLA 13.6	64.0	32
	P		1112	1294	1465	1621	1741	1834	1881						
	A		9.1	9.7	10.2	10.6	11.0	11.3	11.5						
	W	50.0	1230	1930	2810	3870	5070	6530	7420						
	P		1043	1250	1454	1641	1789	1912	1973						
	A		8.8	9.4	10.0	10.6	11.1	11.5	11.8						
W	55.0		1590	2410	3400	4470	5810	6620							
P		1198	1428	1640	1822	1978	2059								
A		9.1	9.8	10.5	11.1	11.8	12.1								

Rating Conditions: 18.3 Deg Return Gas, no Sub-Cooling, 35 Deg Ambient / Supplied with: Internal Motor Protection, Rubber Mounting Kit  
 \*Amps : MCC = maximum continuous current, RLA = MCC ÷ 1.4 (Copeland advises use RLA for contactor selection)

# COPELAND COMPRESSORS

## R134a Reciprocating Compressors

### Capacities R134a

Airefrig Part Number		Refrigeration Capacity - Watts								Consumption - Power		Current - Amps				Kgs
		Condensing Temperature °C								Displ cm <sup>3</sup> /r	Motor					
		Evaporating Temperature °C									HP	Type	*Amps	LRA		
		-15	-10	-5	0	5	10	12.8								
<b>CS18K6ETFD55R</b> <b>CS18K6ETFD595</b> - Rotalock Valve Kit - Crankcase Heater - Oil Sight Glass - POE Oil	W	45.0	1530	2260	3200	4340	5620	7190	8160	61.4	2.50	3Ph	MCC 6.6 RLA 4.7	33.0	32	
	P		1008	1172	1347	1528	1671	1772	1819							
	A		3.0	3.1	3.3	3.4	3.5	3.6	3.7							
	W	50.0	1230	1930	2810	3870	5070	6530	7420							
	P		982	1150	1352	1544	1718	1846	1912							
	A		3.0	3.1	3.2	3.4	3.5	3.7	3.8							
	W	55.0	1590	2410	3400	4470	5810	6620								
	P		1123	1341	1564	1761	1917	1998								
	A		3.1	3.2	3.4	3.6	3.7	3.8								
W	45.0	2010	2730	3730	4930	6170	7510	8290	74.3	3.00	CSR	MCC 19.8 RLA 14.1	75.9	33		
P		1122	1294	1499	1694	1850	1964	2016								
A		6.2	6.9	7.7	8.4	9.1	9.8	10.0								
W	50.0	1740	2410	3350	4490	5680	6960	7710								
P		1084	1281	1498	1723	1904	2045	2117								
A		6.1	6.9	7.7	8.6	9.4	10.2	10.6								
W	55.0	2070	2950	4020	5170	6400	7110									
P		1241	1491	1741	1955	2129	2220									
A		6.8	7.7	8.7	9.6	10.5	11.0									
W	45.0	2010	2730	3730	4930	6170	7510	8290	74.3	3.00	3Ph	MCC 7.1 RLA 5.1	40.0	33		
P		1122	1294	1499	1694	1850	1964	2016								
A		3.4	3.5	3.7	3.8	4.0	4.1	4.2								
W	50.0	1740	2410	3350	4490	5680	6960	7710								
P		1084	1281	1498	1723	1904	2045	2117								
A		3.4	3.5	3.6	3.8	4.0	4.1	4.2								
W	55.0	2070	2950	4020	5170	6400	7110									
P		1241	1491	1741	1955	2129	2220									
A		3.4	3.6	3.8	4.0	4.2	4.2									
W	45.0	2490	3380	4720	6400	8130	9970	11020	92.4	3.50	3Ph	MCC 10.8 RLA 7.7	41.0	33		
P		1351	1613	1912	2203	2424	2541	2588								
A		3.3	3.6	7.0	4.3	4.6	4.8	4.9								
W	50.0	2230	2970	4170	5730	7420	9200	10230								
P		1278	1562	1904	2229	2497	2674	2751								
A		3.2	3.5	3.9	4.3	4.7	4.9	5.0								
W	55.0	2570	3605	5080	6690	8410	9410									
P		1496	1872	2245	2563	2795	2906									
A		3.4	3.9	4.3	4.8	5.1	5.2									
W	45.0	3050	4140	5650	7460	9360	11390	12570	106.2	4.00	3Ph	MCC 12.7 RLA 9.1	45.0	35		
P		1788	2068	2386	2697	2952	3128	3211								
A		6.5	6.7	7.0	7.3	7.5	7.7	7.9								
W	50.0	2640	3650	5080	6790	8610	10560	11690								
P		1728	2040	2391	2740	3034	3262	3374								
A		6.4	6.7	6.9	7.3	7.6	7.8	8.0								
W	55.0	3140	4470	6100	7840	9710	10800									
P		1981	2373	2765	3111	3386	3532									
A		6.5	6.9	7.3	7.6	7.9	8.1									

Rating Conditions: 18.3 Deg Return Gas, no Sub-Cooling, 35 Deg Ambient / Supplied with: Internal Motor Protection, Rubber Mounting Kit  
 \*Amps : MCC = maximum continuous current, RLA = MCC ÷ 1.4 (Copeland advises use RLA for contactor selection)

### Prices

Airefrig Part Number	List Price Excl GST
CS10K6EPFJ55R	\$1,460.72
CS10K6EPFJ595	\$1,460.72
CS10K6EPFJ58R	\$1,445.84
CS12K6EPFJ55R	\$1,558.96
CS14K6EPFJ595	\$1,552.52
CS14K6EPFJ525	\$1,360.28

Airefrig Part Number	List Price Excl GST
CS14K6EPFJ545	\$1,360.28
CS14K6ETFD55R	\$1,386.96
CS14K6ETFD595	\$1,386.96
CS18K6EPFJ595	\$1,746.96
CS18K6EPFJ235	\$1,846.72
CS18K6EPFJ525	\$1,846.72

Airefrig Part Number	List Price Excl GST
CS18K6ETFD55R	\$1,481.24
CS18K6ETFD595	\$1,481.24
CS20K6EPFZ545	\$1,489.60
CS20K6ETFD595	\$1,558.00
CS27K6ETFD595	\$1,694.08
CS33K6ETFD595	\$1,892.80

# COPELAND COMPRESSORS

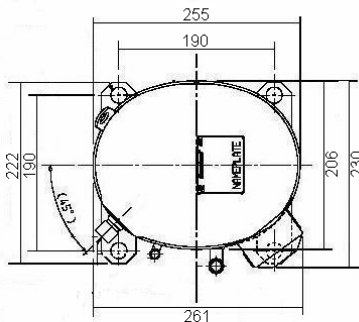
## CS Series - Reciprocating Compressors

### Dimensions & Specifications

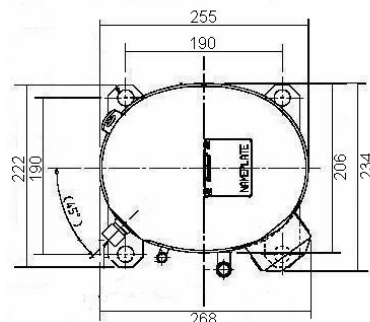
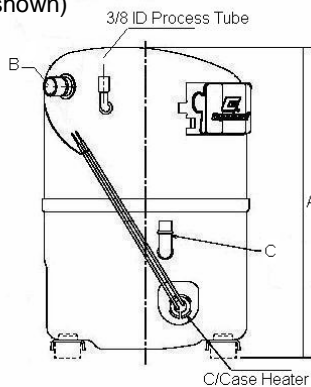
Airefrig Part Number	Height A	Suction B	Discharge C	Oil Recharge (litres)	Capacitors (MFD / Volts)		Crankcase Heater	Wiring Drg No	
					Start	Run			
CS10K6EPFJ55R	348	3/4 rotalock	3/8 rotalock	1.27	130-156 / 250V	30MFD / 370V	918003105 40Watt 240/480/600V Insertion	1	
CS10K6EPFJ595							018008800 40Watt 240V Wrap Around		
CS10K6EPFJ58R	348	3/4 rotalock	1/2 stub tube	1.27	130-156 / 250V	30MFD / 370V	918003105 40Watt 240/480/600V Insertion		
CS12K6EPFJ55R	348	3/4 rotalock	3/8 rotalock	1.27	130-156 / 250V	30MFD / 370V	918003105 40Watt 240/480/600V Insertion		
CS14K6EPFJ595	348	3/4 rotalock	3/8 rotalock	1.27	145-174 / 220V	35MFD / 370V	018008800 40Watt 240V Wrap Around		
CS14K6EPFJ525 *	348	3/4 stub tube	3/8 stub tube	1.27	145-174 / 220V	35MFD / 370V	918003105 40Watt 240/480/600V Insertion		
CS14K6EPFJ545 *							018008800 40Watt 240V Wrap Around		
CS14K6ETFD55R	348	3/4 rotalock	3/8 rotalock	1.27	-	-	918003105 40Watt 240/480/600V Insertion		3
CS14K6ETFD595							018008800 40Watt 240V Wrap Around		
CS18K6EPFJ595	360	3/8 rotalock	3/8 rotalock	1.27	145-174 / 250V	45MFD / 370V	018008800 40Watt 240V Wrap Around		1
CS18K6EPFJ235 *	360	3/4 stub tube	3/8 stub tube	1.27	145-174 / 250V	45MFD / 370V	018003702 58Watt 240V Wrap Around		
CS18K6EPFJ525 *									
CS18K6ETFD55R	360	3/4 rotalock	3/8 rotalock	1.27	-	-	918003105 40Watt 240/480/600V Insertion	3	
CS18K6ETFD595							018008800 40Watt 240V Wrap Around		
CS20K6ETFD595	360	3/4 rotalock	1/2 rotalock	1.27	-	-	018008800 40Watt 240V Wrap Around		
CS20K6EPFZ545 *	360	3/4 stub tube	1/2 stub tube	1.27	216-259 / 330V	40MFD / 370V	018008800 40Watt 240V Wrap Around	1	
CS27K6ETFD595	386	3/4 rotalock	1/2 rotalock	1.50	-	-	018008800 40Watt 240V Wrap Around	3	
CS33K6ETFD595	386	7/8 rotalock	1/2 rotalock	1.50	-	-	018008800 40Watt 240V Wrap Around		

\* Not supplied with Oil Sight Glass.

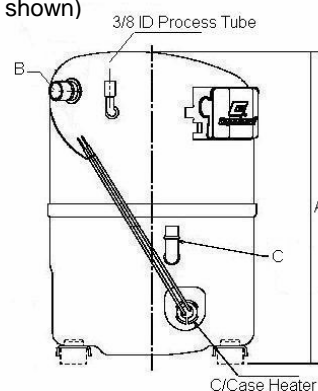
Supplied with: Internal Motor Protection, Rubber Mounting Kit



CS10 – CS27  
(stub tube model shown)



CS33  
(stub tube model shown)



# COPELAND COMPRESSORS

## R22 Medium Temperature Refrigeration Reciprocating Compressors

### Capacities R22

Airefrig Part Number	Refrigeration Capacity - <b>Watts</b>								Consumption – <b>Power</b>		Current – <b>Amps</b>			
			Condensing Temperature °C						Displ cm <sup>3</sup> /r	Motor				
			Evaporating Temperature °C							HP	Type	*Amps	LRA	Kgs
			-10	-5	0	5	10	12.8						
<b>CR18KQPFZ267RM</b> <b>CR18K6PFJ595</b> - Rotalock Valve Kit - CSR Electrics & Box - Crankcase Heater - Oil Sight Glass - Mineral Oil	W		2110	2790	3850	4900	6090	6850	36.4	1.5	CSR	MCC 11.5	45.0	28
	P	45.0	1029	1146	1276	1372	1434	1455						
	A		5.0	5.6	6.1	6.5	6.9	7.0						
	W		1820	2460	3460	4460	5620	6330						
	P	50.0	1012	1145	1304	1424	1513	1554						
	A		4.9	5.5	6.2	6.7	7.2	7.4						
W		1540	2130	3060	4010	5080	5780	44.2	2.00	CSR	MCC 17.0	59.0	29	
P	45.0	1439	1564	1704	1850	1891	1923							
A		7.3	7.7	8.3	8.9	9.0	9.2							
W		2600	3380	4580	6360	7190	8080							
P	50.0	1442	1587	1756	1933	1994	2045							
A		7.3	7.8	8.5	9.3	9.5	9.7							
W		2260	2990	4120	5810	6590	7430	44.2	2.00	3Ph	MCC 5.2	25.0	28	
P	45.0	1200	1370	1520	1650	1750	1780							
A		2.4	2.7	2.9	3.0	3.2	3.2							
W		2600	3380	4580	6360	7190	8080							
P	50.0	1210	1400	1580	1740	1870	1920							
A		2.4	2.7	2.9	3.1	3.3	3.4							
W		2260	2990	4120	5810	6590	7430	57.1	2.75	3Ph	MCC 7.1	33.0	30	
P	45.0	3800	5100	6600	8300	10250	11100							
A		1680	1880	2050	2180	2260	2270							
W		3350	4600	6000	7650	9450	10250							
P	50.0	1690	1920	2130	2300	2420	2450							
A		4.1	4.4	4.8	5.0	5.2	5.3							
W		2900	4050	5400	6950	8700	9450	60.6	2.75	3Ph	MCC 6.6	31.6	35	
P	45.0	3830	4890	6600	8390	10180	11330							
A		1777	1962	2193	2350	2505	2546							
W		3410	4400	6020	7740	9460	10680							
P	50.0	1774	1981	2249	2444	2638	2710							
A		3.6	3.8	4.1	4.3	4.5	4.6							
W		2860	3890	5380	7025	8670	9740	60.6	2.75	3Ph	MCC 6.6	31.6	35	
P	55.0	1754	1989	2298	2530	2760	2861							
A		3.6	3.8	4.1	4.4	4.7	4.8							

Rating Conditions: 11.1K Superheat, 8.3K Subcooling, 35 Deg Ambient. / Supplied with: Internal Motor Protection, Rubber Mounting Kit  
\*Amps : MCC = maximum continuous current, RLA = MCC ÷ 1.4 (Copeland advises use RLA for contactor selection)

# COPELAND COMPRESSORS

## R22 Medium Temperature Refrigeration Reciprocating Compressors

### Capacities R22

Airefrig Part Number	Refrigeration Capacity - <u>Watts</u>								Consumption – <u>Power</u>			Current – <u>Amps</u>		Kgs	
	W	P	A	Condensing Temperature °C					Displ cm <sup>3</sup> /r	Motor					
				-10	-5	0	5	10		12.8	HP	Type	*Amps		LRA
-10	-5	0	5	10	12.8										
<b>CR37KQTFD267RM</b> - Rotalock Valve Kit - Crankcase Heater - Oil Sight Glass - Mineral Oil	W			4650	5870	7770	9720	11670	12940	66.5	3.00	3Ph	MCC 7.8  RLA 5.6	39.0	29
	P	45.0		2047	2255	2497	2672	2848	2920						
	A			4.2	4.3	4.6	4.8	5.0	5.1						
	W			4240	5390	7180	9065	10950	12150						
	P	50.0		2060	2293	2579	2787	2996	3088						
	A			4.1	4.4	4.7	4.9	5.1	5.3						
	W			3710	4860	6530	8320	10110	11270						
	P	55.0		2078	2328	2654	2894	3134	3256						
	A			4.2	4.4	4.8	5.1	5.4	5.5						
<b>CR38K6TFD595</b> - Rotalock Valve Kit - Crankcase Heater - Oil Sight Glass - Mineral Oil	W			4650	6150	7850	9750	11950	12850	66.4	3.00	3Ph	MCC 8.2  RLA 5.9	42.0	31
	P	45.0		1970	2200	2390	2530	2610	2620						
	A			4.2	4.4	4.7	4.8	4.9	5.0						
	W			4100	5550	7150	9000	11050	11900						
	P	50.0		1980	2270	2500	2680	2800	2840						
	A			4.2	4.5	4.8	5.0	5.2	5.3						
	W			3550	4950	6500	8250	10150	10950						
	P	55.0		1970	2310	2590	2820	2990	3040						
	A			4.2	4.6	4.9	5.2	5.5	5.5						
<b>CR41KQTFD267RM</b> - Rotalock Valve Kit - Crankcase Heater - Oil Sight Glass - Mineral Oil	W			5240	6600	8710	10910	13110	14580	73.6	3.50	3Ph	MCC 8.3  RLA 5.9	42.0	31
	P	45.0		2312	2533	2801	2980	3159	3222						
	A			4.6	4.9	5.1	5.3	5.5	5.6						
	W			4760	6030	8020	10145	12270	13700						
	P	50.0		2336	2595	2904	3130	3354	3446						
	A			4.6	4.9	5.2	5.5	5.7	5.9						
	W			4150	5430	7280	9305	11330	12690						
	P	55.0		2351	2631	2998	3268	3539	3670						
	A			4.5	4.9	5.4	5.7	6.0	6.2						
<b>CR42K6TFD595</b> - Rotalock Valve Kit - Crankcase Heater - Oil Sight Glass - Mineral Oil	W			5250	6850	8700	10850	13350	14500	72.1	3.50	3Ph	MCC 8.9  RLA 6.4	42.0	32
	P	45.0		2180	2440	2650	2830	2960	3000						
	A			4.6	4.9	5.1	5.4	5.5	5.6						
	W			4650	6200	7950	10000	12350	13450						
	P	50.0		2220	2510	2770	3000	3180	3240						
	A			4.6	5.0	5.3	5.6	5.8	5.9						
	W			4100	5600	7250	9150	11350	12350						
	P	55.0		2230	2570	2870	3140	3380	3460						
	A			4.6	5.0	5.4	5.8	6.1	6.2						

Rating Conditions: 11.1K Superheat, 8.3Kb Subcooling, 35 Deg Ambient. / Supplied with: Internal Motor Protection, Rubber Mounting Kit  
 \*Amps : MCC = maximum continuous current, RLA = MCC ÷ 1.4 (Copeland advises use RLA for contactor selection)

# COPELAND COMPRESSORS

## R22 Medium Temperature Refrigeration Reciprocating Compressors

### Capacities R22

Airefrig Part Number		Refrigeration Capacity - <u>Watts</u>							Consumption - <u>Power</u>		Current - <u>Amps</u>				Kgs
		Condensing Temperature °C							Displ cm <sup>3</sup> /r	Motor					
		Evaporating Temperature °C								HP	Type	*Amps	LRA		
		-10	-5	0	5	10	12.8								
<b>CR47KQTFD267RM</b> <b>CR47KQTFD595</b> - Rotalock Valve Kit - Crankcase Heater - Oil Sight Glass - Mineral Oil	W		6130	7650	10000	12390	14770	16300	81.1	4.00	3Ph	MCC 11.5  RLA 8.2	50.0	35	
	P	45.0	2764	3014	3289	3442	3596	3627							
	A		5.6	5.9	6.2	6.5	6.7	6.7							
	W		5600	7040	9250	11560	13870	15330							
	P	50.0	2812	3106	3446	3655	3865	3937							
	A		5.6	6.0	6.4	6.7	7.0	7.1							
	W		4890	6360	8470	10670	12870	14290							
	P	55.0	2861	3180	3589	3867	4145	4246							
	A		5.7	6.1	6.6	7.0	7.4	7.5							
<b>CR53KQTFD595</b> - Rotalock Valve Kit - Crankcase Heater - Oil Sight Glass - Mineral Oil	W		7060	8730	11270	13880	16490	18210	89.6	4.50	3Ph	MCC 12.7  RLA 9.1	55.0	35	
	P	45.0	3159	3437	3741	3912	4084	4136							
	A		6.5	6.9	7.2	7.5	7.7	7.8							
	W		6460	8070	10500	13015	15530	17170							
	P	50.0	3216	3546	3912	4144	4376	4458							
	A		6.5	7.0	7.5	7.8	8.1	8.2							
	W		5730	7340	9650	12040	14430	16000							
	P	55.0	3281	3637	4090	4386	4681	4792							
	A		6.5	7.1	7.7	8.1	8.5	8.7							
<b>CRN50500TFD55R</b> <b>CRNQ0500TFD595</b> - Rotalock Valve Kit - Crankcase Heater - Oil Sight Glass - Mineral Oil	W		8370	10220	12970	15915	18860	20890	105.6	5.00	3Ph	MCC 13.5  RLA 9.6	65.0	42	
	P	45.0	3450	3783	4136	4339	4542	4604							
	A		8.0	8.4	8.9	9.3	9.6	9.7							
	W		7690	9500	12160	14965	17770	19720							
	P	50.0	3487	3878	4317	4512	4888	4990							
	A		8.0	8.6	9.2	9.6	10.0	10.2							
	W		6890	8680	11250	13930	16610	18430							
	P	55.0	3539	3948	4474	4836	5197	5348							
	A		8.0	8.6	9.4	10.0	10.5	10.8							

Rating Conditions: 11.1K Superheat, 8.3Kb Subcooling, 35 Deg Ambient. / Supplied with: Internal Motor Protection, Rubber Mounting Kit  
\*Amps : MCC = maximum continuous current, RLA = MCC ÷ 1.4 (Copeland advises use RLA for contactor selection)

### Prices

Airefrig Part Number	List Price Excl GST
CR18KQPFZ267RM	\$1,254.04
CR18K6PFJ595	\$1,254.04
CR24KQPFT267RM	\$1,419.64
CR24K6PFJ595	\$1,419.64
CR24KQTFD267RM	\$1,437.72

Airefrig Part Number	List Price Excl GST
CR32K6TFD595	\$1,347.76
CR33KQTFD267RM	\$1,347.76
CR37KQTFD267RM	\$1,478.62
CR38K6TFD595	\$1,478.62
CR41KQTFD267RM	\$1,570.12

Airefrig Part Number	List Price Excl GST
CR42K6TFD595	\$1,570.12
CR47KQTFD595	\$1,294.92
CR53KQTFD595	\$1,604.44
CRN50500TFD55R	\$1,785.36
CRNQ0500TFD595	\$1,785.36

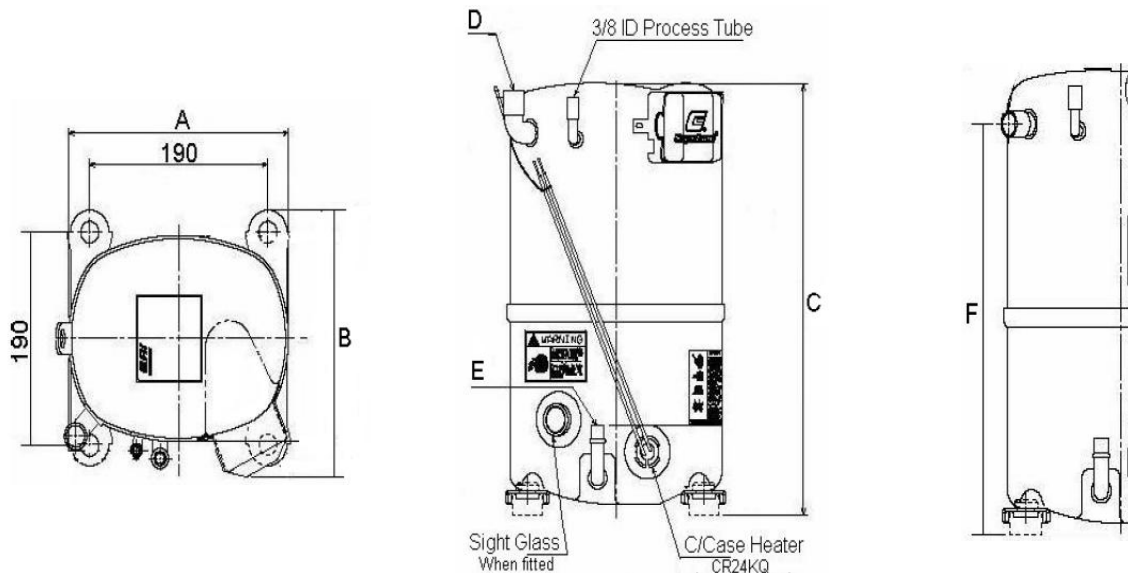


# COPELAND COMPRESSORS

## R22 Medium Temperature Refrigeration Reciprocating Compressors

Airefrig Part Number	A	B	C	F	Suction conn. D	Discharge Conn. E	Oil Charge Litres	Capacitors MFD/Volts		Crankcase Heater (Supplied)	Wiring Drg. No.
								Start	Run		
CR18KQPFZ267RM CR18K6PFJ595	235	235	354	318	5/8 rotalock	3/8 rotalock	1.50	145-174 330V	25MFD 440V	018003702 CH-213 240V 58W Wrap Around 018008800 40Watt 240V Wrap Around	1
CR24KQPFT267RM CR24K6PFJ595	235	235	348	310	5/8 rotalock	3/8 rotalock	1.27	145-174 250V	35MFD 440V	018003702 CH-213 240V 58W Wrap Around 018008800 40Watt 240V Wrap Around	1
CR24KQTFD267RM	235	235	348	310	5/8 rotalock	3/8 rotalock	1.27	-	-	018003702 CH-213 240V 58W Wrap Around	3
CR33KQTFD267RM CR32K6TFD595	235	235	360	310	3/4 rotalock	3/8 rotalock	1.12	-	-	918003105 40Watt 240/480/600V Insertion Type 018008800 40Watt 240V Wrap Around	3
CR37KQTFD267RM CR38K6TFD595	235	235	370	320	3/4 rotalock	3/8 rotalock	1.12	-	-	918003105 40Watt 240/480/600V Insertion Type 018008800 40Watt 240V Wrap Around	3
CR41KQTFD267RM CR42K6TFD595	235	235	380	330	3/4 rotalock	3/8 rotalock	1.12	-	-	918003105 40Watt 240/480/600V Insertion Type 018008800 40Watt 240V Wrap Around	3
CR47KQTFD267RM CR47KQTFD595	255	222	385	335	7/8 rotalock	1/2 rotalock	1.27	-	-	918003105 40Watt 240/480/600V Insertion Type 018008800 40Watt 240V Wrap Around	3
CR53KQTFD595	255	222	385	335	7/8 rotalock	1/2 rotalock	1.27	-	-	018008800 40Watt 240V Wrap Around	3
CRN50500TFD55R CRNQ0500TFD595	255	229	420	380	7/8 rotalock	1/2 rotalock	1.95	-	-	918003105 40Watt 240/480/600V Insertion Type 018008804 45Watt 240V Wrap Around	3

Supplied with: Internal Motor Protection, Rubber Mounting Kit



# COPELAND COMPRESSORS

## R22 Air Conditioning Reciprocating Compressors

### Capacities R22

Airefrig Part Number		Refrigeration Capacity - <u>Watts</u>							Consumption - <u>Power</u>		Current - <u>Amps</u>				Kgs
		Condensing Temperature °C							Displ cm <sup>3</sup> /r	Motor					
		Evaporating Temperature °C								HP	Type	*Amps	LRA		
		-10	-5	0	7.2	10	12.8								
<b>CR24KQPFT280BB</b> - Stub Tubes - Crankcase Heater - Mineral Oil - Run Capacitor (PSC)	W		2920	3740	5010	6880	7730	8660	42.6	2.00	PSC	MCC 17.0	46.0	29	
	P	45.0	1439	1564	1704	1850	1891	1923							
	A		7.3	7.7	8.3	8.9	9.0	9.2							
	W		2600	3380	4580	6360	7190	8080							
	P	50.0	1442	1587	1756	1933	1994	2045							
	A		7.3	7.8	8.5	9.3	9.5	9.7							
<b>CR24KQPFT267RM</b> <b>CR24K6PFJ595</b> - Rotalock Valve Kit - Crankcase Heater - Oil Sight Glass - CSR Electrics & Box	W		2260	2990	4120	5810	6590	7430	44.2	2.00	CSR	RLA 12.1	25.0	28	
	P	55.0	1428	1594	1794	2018	2089	2160							
	A		7.2	7.9	8.7	9.6	9.9	10.2							
	W		2600	3380	4580	6360	7190	8080							
	P	50.0	1210	1400	1580	1790	1870	1920							
	A		2.4	2.7	2.9	3.2	3.3	3.4							
<b>CR24KQTFD267RM</b> - Rotalock Valve Kit - Crankcase Heater - Oil Sight Glass - Mineral Oil	W		2260	2990	4120	5810	6590	7430	42.6	2.00	3Ph	MCC 5.2	23.0	28	
	P	55.0	1200	1420	1630	1880	1970	2040							
	A		2.4	2.7	3.0	3.4	3.5	3.6							
	W		2850	3620	4810	6540	7360	8200							
	P	45.0	1512	1598	1710	1839	1881	1923							
	A		3.5	3.5	3.6	3.6	3.7	3.7							
<b>CRD10200TFD561</b> - Rotalock Valve Kit - Crankcase Heater - Oil Sight Glass - Mineral Oil	W		2590	3310	4450	6100	6880	7710	49.6	2.33	PSC	MCC 6.0	23.0	28	
	P	50.0	1554	1659	1792	1953	2004	2065							
	A		3.4	3.5	3.6	3.8	3.8	3.8							
	W		2240	2970	4040	5590	6320	7100							
	P	55.0	1613	1726	1878	2063	2143	2214							
	A		3.5	3.6	3.7	3.8	3.8	3.9							
<b>CR28KQPFZ280BM</b> - Stub Tubes - Run Capacitor (PSC) - Crankcase Heater - Mineral Oil	W		3440	4450	5920	7980	8880	9840	57.1	2.75	3Ph	MCC 7.1	33.0	30	
	P	45.0	1652	1801	1969	2130	2182	2214							
	A		9.0	9.5	10.1	10.7	10.9	11.1							
	W		2970	3960	5400	7390	8280	9200							
	P	50.0	1646	1823	2027	2239	2301	2352							
	A		8.9	9.5	10.3	11.1	11.3	11.7							
<b>CR32K6TFD595</b> - Rotalock Valve Kit - Crankcase Heater - Oil Sight Glass - Mineral Oil	W		2470	3460	4880	6790	7640	8540	42.6	2.00	3Ph	RLA 4.3	25.0	28	
	P	55.0	1620	1829	2074	2331	2412	2483							
	A		8.7	9.5	10.5	11.5	11.8	12.1							
	W		3800	5100	6600	9050	10250	11100							
	P	45.0	1680	1880	2050	2220	2260	2270							
	A		4.1	4.4	4.6	4.9	5.0	5.0							
<b>CR32K6TFD595</b> - Rotalock Valve Kit - Crankcase Heater - Oil Sight Glass - Mineral Oil	W		3350	4600	6000	8350	9450	10250	49.6	2.33	PSC	RLA 12.1	61.0	29	
	P	50.0	1690	1920	2130	2350	2420	2450							
	A		4.1	4.4	4.8	5.1	5.2	5.3							
	W		2900	4050	5400	7650	8700	9450							
	P	55.0	1680	1940	2190	2470	2560	2610							
	A		4.1	4.5	4.9	5.3	5.5	5.6							

Rating Conditions: 11.1K Superheat, 8.3Kb Subcooling, 35 Deg Ambient. / Supplied with: Internal Motor Protection, Rubber Mounting Kit  
 \*Amps : MCC = maximum continuous current, RLA = MCC ÷ 1.4 (Copeland advises use RLA for contactor selection)

# COPELAND COMPRESSORS

## R22 Air Conditioning Reciprocating Compressors

### Capacities R22

Airefrig Part Number		Refrigeration Capacity - <u>W</u> atts							Consumption – <u>P</u> ower		Current – <u>A</u> mps				Kgs
			Condensing Temperature °C						Displ cm <sup>3</sup> /r	Motor					
			Evaporating Temperature °C							HP	Type	*Amps	LRA		
			-10	-5	0	7.2	10	12.8							
<b>CR33KQTFD267RM</b> - Rotalock Valve Kit - Crankcase Heater - Oil Sight Glass - Mineral Oil	W	45.0	3830	4890	6600	9080	10180	11330	60.6	2.75	3Ph	MCC 6.6  RLA 4.7	31.6	35	
	P		1777	1962	2193	2432	2505	2546							
	A		3.6	3.8	4.1	4.4	4.4	4.5							
	W	50.0	3410	4400	6020	8400	9460	10680							
	P		1774	1981	2249	2546	2638	2710							
	A		3.6	3.8	4.1	4.4	4.5	4.6							
	W	55.0	2860	3890	5380	7650	8670	9740							
	P		1754	1989	2298	2649	2760	2861							
	A		3.6	3.8	4.1	4.5	4.7	4.8							
<b>CR37KQTFD267RM</b> - Rotalock Valve Kit - Crankcase Heater - Oil Sight Glass - Mineral Oil	W	45.0	4650	5870	7770	10490	11670	12940	66.5	3.00	3Ph	MCC 7.8  RLA 5.6	39.0	29	
	P		2047	2255	2497	2764	2848	2920							
	A		4.2	4.3	4.6	4.9	5.0	5.1							
	W	50.0	4240	5390	7180	9770	10950	12150							
	P		2060	2293	2579	2883	2996	3088							
	A		4.1	4.4	4.7	5.0	5.1	5.3							
	W	55.0	3710	4860	6530	8980	10110	11270							
	P		2078	2328	2654	3013	3134	3256							
	A		4.2	4.4	4.8	5.2	5.4	5.5							
<b>CR38K6TFD595</b> - Rotalock Valve Kit - Crankcase Heater - Oil Sight Glass - Mineral Oil	W	45.0	4650	6150	7850	10600	11950	12850	66.4	3.00	3Ph	MCC 8.2  RLA 5.9	42.0	31	
	P		1970	2200	2390	2560	2610	2620							
	A		4.2	4.4	4.7	4.9	4.9	5.0							
	W	50.0	4100	5550	7150	9800	11050	11900							
	P		1980	2270	2500	2740	2800	2840							
	A		4.2	4.5	4.8	5.1	5.2	5.3							
	W	55.0	3550	4950	6500	8950	10150	10950							
	P		1970	2310	2590	2900	2990	3040							
	A		4.2	4.6	4.9	5.3	5.5	5.5							
<b>CR41KQTFD267RM</b> - Rotalock Valve Kit - Crankcase Heater - Oil Sight Glass - Mineral Oil	W	45.0	5240	6600	8710	11730	13110	14580	73.7	3.50	3Ph	MCC 8.3  RLA 5.9	42.0	31	
	P		2312	2533	2801	3076	3159	3222							
	A		4.6	4.9	5.1	5.4	5.5	5.6							
	W	50.0	4760	6030	8020	10950	12270	13700							
	P		2336	2595	2904	3241	3354	3446							
	A		4.6	4.9	5.2	5.6	5.7	5.9							
	W	55.0	4150	5430	7280	10060	11330	12690							
	P		2351	2631	2998	3407	3539	3670							
	A		4.5	4.9	5.4	5.8	6.0	6.2							
<b>CR42K6TFD595</b> - Rotalock Valve Kit - Crankcase Heater - Oil Sight Glass - Mineral Oil	W	45.0	5250	6850	8700	11800	13350	14500	72.1	3.50	3Ph	MCC 8.9  RLA 6.4	42.0	32	
	P		2180	2440	2650	2890	2960	3000							
	A		4.6	4.9	5.1	5.4	5.5	5.6							
	W	50.0	4650	6200	7950	10900	12350	13450							
	P		2220	2510	2770	3080	3180	3240							
	A		4.6	5.0	5.3	5.7	5.8	5.9							
	W	55.0	4100	5600	7250	10000	11350	12350							
	P		2230	2570	2870	3240	3380	3460							
	A		4.6	5.0	5.4	5.9	6.1	6.2							

Rating Conditions: 11.1K Superheat, 8.3Kb Subcooling, 35 Deg Ambient. / Supplied with: Internal Motor Protection, Rubber Mounting Kit  
\*Amps : MCC = maximum continuous current, RLA = MCC ÷ 1.4 (Copeland advises use RLA for contactor selection)

# COPELAND COMPRESSORS

## R22 Air Conditioning Reciprocating Compressors

### Capacities R22

Airefrig Part Number		Refrigeration Capacity - <u>Watts</u>							Consumption - <u>Power</u>		Current - <u>Amps</u>				Kgs	
		Condensing Temperature °C							Displ cm <sup>3</sup> /r	Motor						
		Evaporating Temperature °C								HP	Type	*Amps	LRA			
							-10	-5	0	7.2	10	12.8				
<b>CR47KQTFD267RM</b> <b>CR47KQTFD595</b> - Rotalock Valve Kit - Crankcase Heater - Oil Sight Glass - Mineral Oil	W		6130	7650	10000	13310	14770	16300	81.2	4.00	3Ph	MCC 11.5  RLA 8.2	50.0	35		
	P	45.0	2764	3014	3289	3544	3596	3627								
	A		5.6	5.9	6.2	6.5	6.7	6.7								
	W		5600	7040	9250	12470	13870	15330								
	P	50.0	2812	3106	3446	3773	3865	3937								
	A		5.6	6.0	6.4	6.9	7.0	7.1								
	W		4890	6360	8470	11510	12870	14290								
	P	55.0	2861	3180	3589	4014	4145	4246								
	A		5.7	6.1	6.6	7.2	7.4	7.5								
<b>CR53KQTFD595</b> - Rotalock Valve Kit - Crankcase Heater - Oil Sight Glass - Mineral Oil	W		7060	8730	11270	14890	16490	18210	89.6	4.50	3Ph	MCC 12.7  RLA 9.1	55.0	35		
	P	45.0	3159	3437	3741	4012	4084	4136								
	A		6.5	6.9	7.2	7.6	7.7	7.8								
	W		6460	8070	10500	13960	15530	17170								
	P	50.0	3216	3546	3912	4274	4376	4458								
	A		6.5	7.0	7.5	8.0	8.1	8.2								
	W		5730	7340	9650	12950	14430	16000								
	P	55.0	3281	3637	4090	4540	4681	4792								
	A		6.5	7.1	7.7	8.3	8.5	8.7								
<b>CRN50500TFD55R</b> <b>CRNQ0500TFD595</b> - Rotalock Valve Kit - Crankcase Heater - Oil Sight Glass - Mineral Oil	W		8370	10220	12970	16970	18860	20890	105.6	5.00	3Ph	MCC 13.5  RLA 9.6	65.0	42		
	P	45.0	3450	3783	4136	4458	4542	4604								
	A		8.0	8.4	8.9	9.5	9.6	9.7								
	W		7690	9500	12160	15990	17770	19720								
	P	50.0	3487	3878	4317	4755	4888	4990								
	A		8.0	8.6	9.2	9.8	10.0	10.2								
	W		6890	8680	11250	14930	16610	18430								
	P	55.0	3539	3948	4474	5025	5197	5348								
	A		8.0	8.6	9.4	10.2	10.5	10.8								

Rating Conditions: 11.1K Superheat, 8.3Kb Subcooling, 35 Deg Ambient. / Supplied with: Internal Motor Protection, Rubber Mounting Kit  
\*Amps : MCC = maximum continuous current, RLA = MCC ÷ 1.4 (Copeland advises use RLA for contactor selection)

### Prices

Airefrig Part Number	List Price Excl GST
CR24KQPFT280BB	\$1,179.96
CR24KQTFD267RM	\$1,437.72
CR24K6PFJ595	\$1,419.64
CR24KQPFT267RM	\$1,419.64
CRD10200TFD561	\$1,147.56
CR28KQPFZ280BM	\$1,059.08

Airefrig Part Number	List Price Excl GST
CR32K6TFD595	\$1,347.76
CR33KQTFD267RM	\$1,347.76
CR37KQTFD267RM	\$1,478.62
CR38K6TFD595	\$1,478.62
CR41KQTFD267RM	\$1,570.12
CR42K6TFD595	\$1,570.12

Airefrig Part Number	List Price Excl GST
CR47KQTFD267RM	\$1,294.92
CR47KQTFD595	\$1,294.92
CR53KQTFD595	\$1,604.44
CRN50500TFD55R	\$1,785.36
CRNQ0500TFD595	\$1,785.36

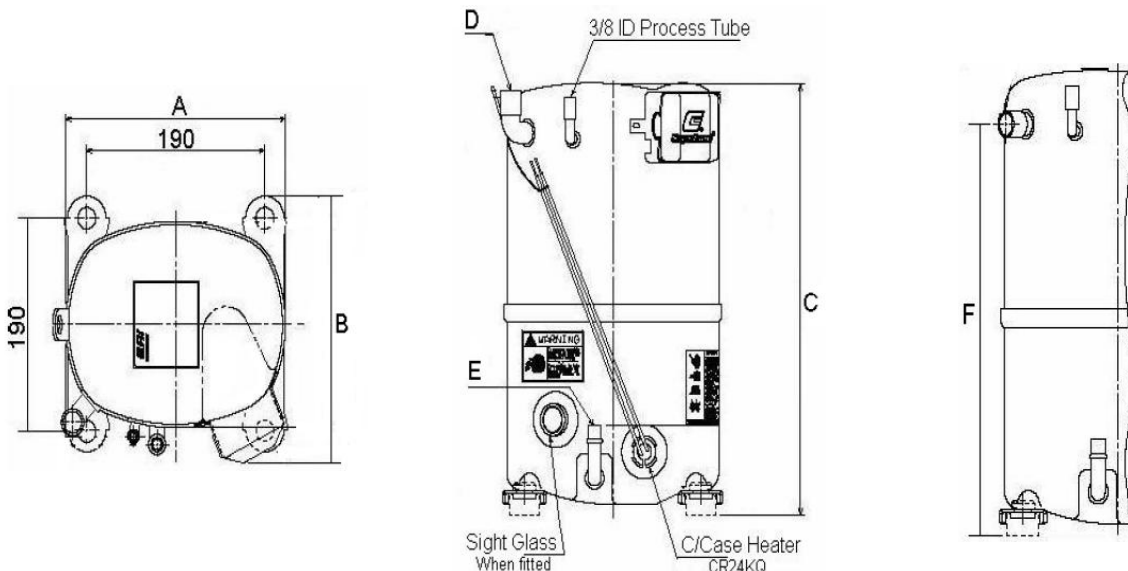
# COPELAND COMPRESSORS

## R22 Air Conditioning Reciprocating Compressors

Airefrig Part Number	A	B	C	F	Suction conn. D	Discharge Conn. E	Oil Charge Litres	Run Capacitor MFD/Volts	Crankcase Heater (Supplied)	Wiring Drg. No.
CR24KQPFT280BB *	235	235	350	300	5/8 stub tube	3/8 stub tube	1.27	35MFD 440V	018003702 CH-213 240V 58W Wrap Around	2
CR24KQPFT267RM CR24K6PFJ595	235	235	350	300	5/8 rotalock	3/8 rotalock	1.27	35MFD 440V	018003702 CH-213 240V 58W Wrap Around 018008800 40Watt 240V Wrap Around	2
CR24KQTFD267RM	235	235	348	310	5/8 rotalock	3/8 rotalock	1.27	-	018003702 CH-213 240V 58W Wrap Around	3
CRD10200TFD561	235	235	305	315	5/8 rotalock	3/8 rotalock	1.50	-	018003702 CH-213 240V 58W Wrap Around	4
CR28KQPFZ280BM *	235	235	340	300	5/8 stub tube	3/8 stub tube	1.50	40MFD 440V	018003702 CH-213 240V 58W Wrap Around	2
CR32K6TFD595 CR33KQTFD267RM	235	235	360	310	3/4 rotalock	3/8 rotalock	1.12	-	018008800 40Watt 240V Wrap Around 918003105 40Watt 240/480/600V Insertion Type	3
CR37KQTFD267RM CR38K6TFD595	235	235	370	325	3/4 rotalock	3/8 rotalock	1.12	-	918003105 40Watt 240/480/600V Insertion Type 018008800 40Watt 240V Wrap Around	3
CR41KQTFD267RM CR42K6TFD595	235	235	380	332	3/4 rotalock	3/8 rotalock	1.12	-	918003105 40Watt 240/480/600V Insertion Type 018008800 40Watt 240V Wrap Around	3
CR47KQTFD267RM CR47KQTFD595	255	235	386	345	7/8 rotalock	1/2 rotalock	1.27	-	918003105 40Watt 240/480/600V Insertion Type 018008800 40Watt 240V Wrap Around	3
CR53KQTFD267RM	255	235	386	345	7/8 rotalock	1/2 rotalock	1.27	-	918003105 40Watt 240/480/600V Insertion Type	3
CRN50500TFD55R CRNQ0500TFD595	260	236	420	370	7/8 rotalock	1/2 rotalock	1.95	-	918003105 40Watt 240/480/600V Insertion Type 018008804 45Watt 240V Wrap Around	3

\* Compressors not fitted with Oil Sight Glass

Supplied with: Internal Motor Protection, Rubber Mounting Kit

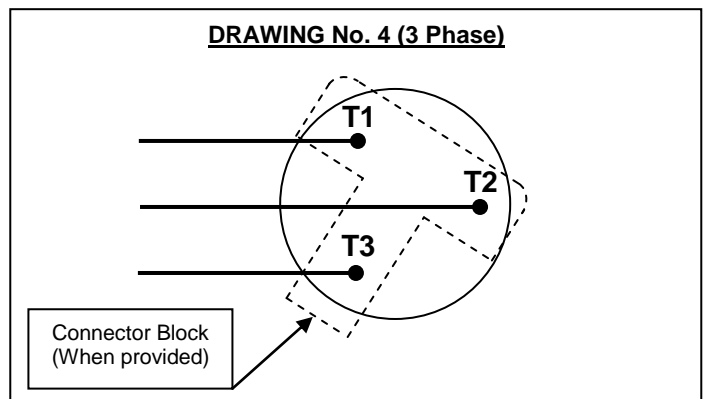
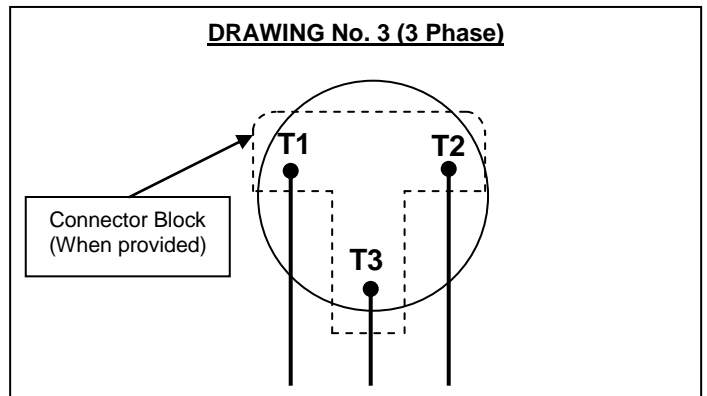
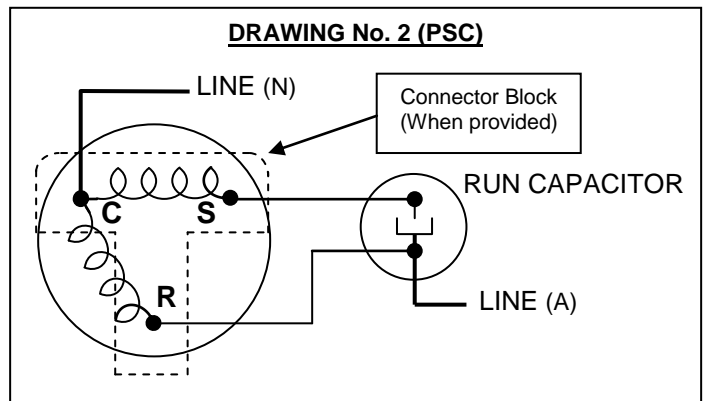
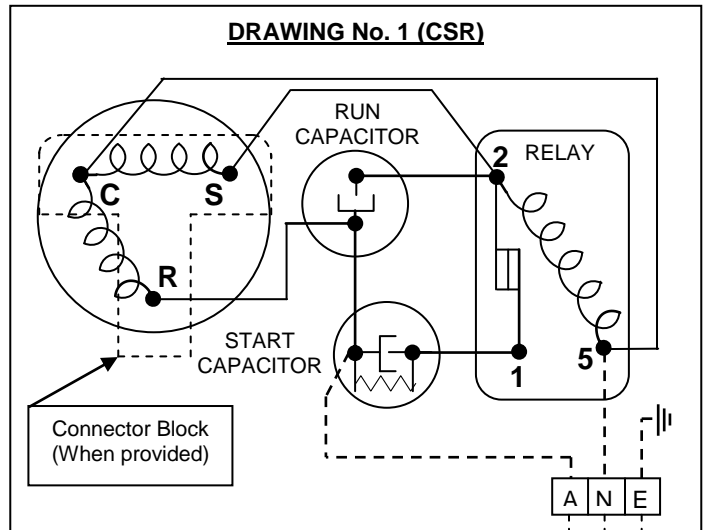


# COPELAND COMPRESSORS

## Electrical Details

Airefrig Part Number	Resistance (+/- 7%) OHMS	Drawing Number
<b>CS Series</b>		
CS10K6EPFJ-551 / 55R CS10K6EPFJ-595	Start 3.79 / Run 1.39	1
CS10K6EPFJ-583 / 58R		
CS12K6EPFJ-55R	Start 3.79 / Run 1.39	
CS14K6EPFJ-551 / 55R CS14K6EPFJ-595	Start 2.64 / Run 1.40	
CS14K6EPFJ-523 / 525 CS14K6EPFJ-545		
CS14K6ETFD-551 / 55R CS14K6ETFD-595	Line to Line 6.38	3
CS18K6EPFJ-551 / 55R CS18K6EPFJ-595	Start 2.98 / Run 1.14	1
CS18K6EPFJ-235 / 525		3
CS18K6ETFD-551 / 55R CS18K6ETFD-595	Line to Line 4.95	
CS20K6ETFD-551 / 55R CS20K6ETFD-595	Line to Line 4.11	
CS27K6ETFD-551 / 55R CS27K6ETFD-595	Line to Line 3.96	3
CS33K6ETFD-551 / 55R CS33K6ETFD-595	Line to Line 3.41	

<b>CR - BR Series</b>		
CR18KQPFZ-267BM / RM CR18K6PFJ595	Start 5.46 / Run 1.68 Start 3.62 / Run 1.74	1
CR24KQPFT-280BB CR24KQPFZ-267BM / RM CR24K6PFJ595	Start 5.01 / Run 1.24 Start 2.65 / Run 1.35	2 1
CR24KQTFD-267BM / RM CR24K6TFD-595	Line to Line 7.4 Line to Line 6.39	3
CRD10200TFD-561	Line to Line 7.34	4
CREQ0225PFJ-501	Start 3.42 / Run 1.46	2
CR28KQPFZ-280BM	Start 3.84 / Run 1.04	3
CR32K6TFD595	Line to Line 4.5	
CR33KQTFD-267BM / RM	Line to Line 5.05	
CR37KQTFD-267BM / RM	Line to Line 4.25	
CR38K6TFD595	Line to Line 3.78	
CR41KQTFD-267BM / RM	Line to Line 4.06	
CR42K6TFD595	Line to Line 3.45	
CR47KQTFD-267BM / RM CR47KQTFD595	Line to Line 3.22	3
CR53KQTFD-267BM / RM CR53KQTFD595	Line to Line 2.77	
CRN50500TFD551 / 55R CRNQ0500TFD595	Line to Line 2.47	
BRE40750TFD-551	Line to Line 1.50	4
BRG20900TFD-551	Line to Line 1.35	
BRH21000TFD-551	Line to Line 1.44	
BRK21200TFD-551	Line to Line 0.98	



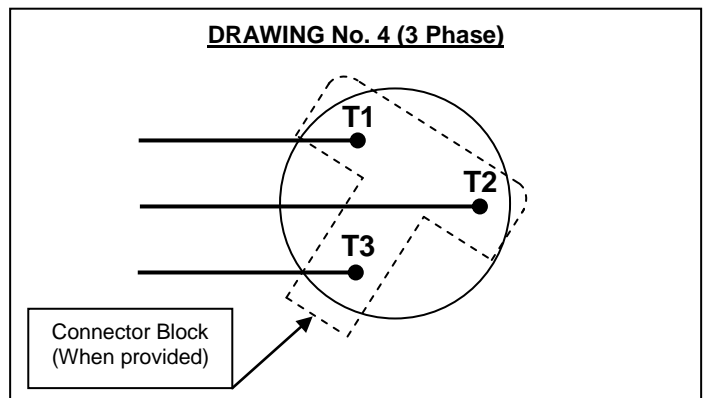
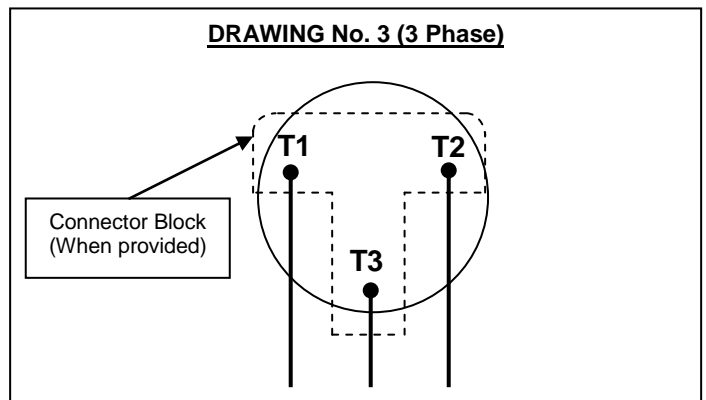
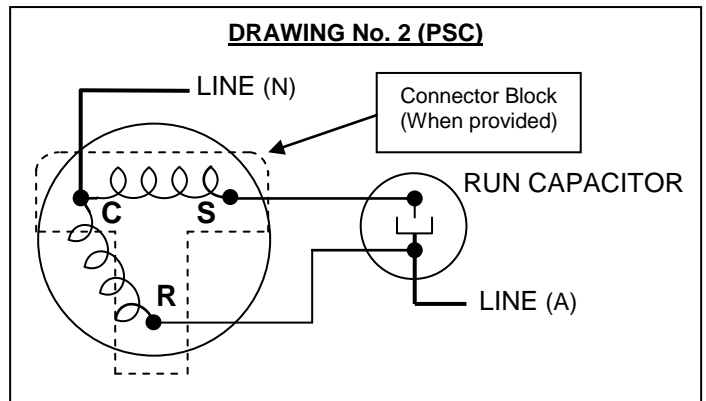
# COPELAND COMPRESSORS

## Electrical Details

Airefrig Part Number	Resistance (+/- 7%) OHMS	Drawing Number
<b>ZB Series</b>		
ZB45KCETFD-551	Line to Line 2.27	4
ZB58KQETFD-551	Line to Line 1.799	
ZB76KQETFD-551	Line to Line 1.227	

<b>ZR Series</b>		
ZR28K3EPFJ522	Start 2.23 / Run 1.20	2
ZR36K3EPFJ-522	Start 1.84 / Run 0.89	
ZR40K3EPFJ-522	Start 1.81 / Run 0.75	4
ZR40K3ETFD-522	Line to Line 4.03	
ZR45K3PFJ522		2
ZR47K3EPFJ-522	Start 1.67 / Run 0.59	
ZR48K3PFJ-522		4
ZR48KCETFD-522	Line to Line 3.88	
ZR54KCETFD-522	Line to Line 2.90	2
ZR61KCETFD-522	Line to Line 2.75	
ZR61KCEPFZ-522	Start 1.89 / Run 0.41	4
ZR68KCEPFJ-522	Start 1.88 / Run 0.41	
ZR68KCETFD-522	Line to Line 2.27	4
ZR72KCETFD-522 / 523	Line to Line 2.27	
ZR81KCETFD-522 / 523	Line to Line 1.79	4
ZR94KCETFD-523	Line to Line 1.59	
ZR108KCETFD-522 / 523	Line to Line 1.36	4
ZR125KCETFD-523	Line to Line 1.23	
ZR144KCETFD-523	Line to Line 1.23	4
ZR160KCETFD-523	Line to Line 1.09	
ZR16M3ETWD-551 / 961	Line to Line 0.83	4
ZR190KCETFD-523	Line to Line 0.83	
ZR19M3ETWD-551 / 961	Line to Line 0.72	-
ZR250KCETWD-523	Line to Line 0.63	
ZR310KCETWD-523	Line to Line 0.51	-
ZR380KCETWD-523	Line to Line 0.35	

<b>ZP Series</b>		
ZP57K3ETFD-522	Line to Line 2.47	4
ZP61KCETFD-522	Line to Line 2.80	
ZP67KCETFD-522	Line to Line 2.47	
ZP72KCETFD-522	Line to Line 2.47	
ZP83KCETFD-522	Line to Line 1.79	
ZP103KCETFD-522	Line to Line 1.36	
ZP120KCETFD-522	Line to Line 1.24	
ZP182KCETFD-522	Line to Line 0.83	



# COPELAND COMPRESSORS

## Selection Guide 3 Phase Contactors, Thermal & Electronic Overloads

Airefrig Part Number	3Ph Contactor	3Ph Thermal Overload	3Ph Electronic Overload <i>includes phase loss &amp; phase imbalance protection</i>
CR24KQTFD267RM	MC9B240V (AC-3 Rating 9A)	MT323K4 (2.5 - 4.0 amps)	GMP223P5A (1.0 - 5.0 amps)
CRD10200TFD561	MC9B240V (AC-3 Rating 9A)	MT323K4 (2.5 - 4.0 amps)	GMP223P5A (1.0 - 5.0 amps)
CR32K6TFD595	MC9B240V (AC-3 Rating 9A)	MT323K6 (4.0 - 6.0 amps)	GMP223P22A (4.4 - 22.0 amps)
CR33KQTFD267RM	MC9B240V (AC-3 Rating 9A)	MT323K6 (4.0 - 6.0 amps)	GMP223P22A (4.4 - 22.0 amps)
CR37KQTFD267RM	MC9B240V (AC-3 Rating 9A)	MT323K8 (5.0 - 8.0 amps)	GMP223P22A (4.4 - 22.0 amps)
CR38K6TFD595	MC9B240V (AC-3 Rating 9A)	MT323K8 (5.0 - 8.0 amps)	GMP223P22A (4.4 - 22.0 amps)
CR41KQTFD267RM	MC12B240V (AC-3 Rating 12A)	MT323K9 (6.0 - 9.0 amps)	GMP223P22A (4.4 - 22.0 amps)
CR42K6TFD595	MC12B240V (AC-3 Rating 12A)	MT323K9 (6.0 - 9.0 amps)	GMP223P22A (4.4 - 22.0 amps)
CR47KQTFD267RM	MC12B240V (AC-3 Rating 12A)	MT323K10 (7.0 - 10.0 amps)	GMP223P22A (4.4 - 22.0 amps)
CR47KQTFD595	MC12B240V (AC-3 Rating 12A)	MT323K10 (7.0 - 10.0 amps)	GMP223P22A (4.4 - 22.0 amps)
CR53KQTFD595	MC12B240V (AC-3 Rating 12A)	MT323K10 (7.0 - 10.0 amps)	GMP223P22A (4.4 - 22.0 amps)
CRN50500TFD55R	MC12B240V (AC-3 Rating 12A)	MT323K13 (9.0 - 13.0 amps)	GMP223P22A (4.4 - 22.0 amps)
CRNQ0500TFD595	MC12B240V (AC-3 Rating 12A)	MT323K13 (9.0 - 13.0 amps)	GMP223P22A (4.4 - 22.0 amps)
CS14K6ETFD55R	MC9B240V (AC-3 Rating 9A)	MT323K6 (4.0 - 6.0 amps)	GMP223P22A (4.4 - 22.0 amps)
CS14K6ETFD595	MC9B240V (AC-3 Rating 9A)	MT323K6 (4.0 - 6.0 amps)	GMP223P22A (4.4 - 22.0 amps)
CS18K6ETFD55R	MC9B240V (AC-3 Rating 9A)	MT323K8 (5.0 - 8.0 amps)	GMP223P22A (4.4 - 22.0 amps)
CS18K6ETFD595	MC9B240V (AC-3 Rating 9A)	MT323K8 (5.0 - 8.0 amps)	GMP223P22A (4.4 - 22.0 amps)
CS20K6ETFD595	MC9B240V (AC-3 Rating 9A)	MT323K8 (5.0 - 8.0 amps)	GMP223P22A (4.4 - 22.0 amps)
CS27K6ETFD595	MC12B240V (AC-3 Rating 12A)	MT323K9 (6.0 - 9.0 amps)	GMP223P22A (4.4 - 22.0 amps)
CS33K6ETFD595	MC12B240V (AC-3 Rating 12A)	MT323K13 (9.0 - 13.0 amps)	GMP223P22A (4.4 - 22.0 amps)
ZP57K3ETFD522	MC12B240V (AC-3 Rating 12A)	MT323K10 (7.0 - 10.0 amps)	GMP223P22A (4.4 - 22.0 amps)
ZP61KCETFD522	MC12B240V (AC-3 Rating 12A)	MT323K10 (7.0 - 10.0 amps)	GMP223P22A (4.4 - 22.0 amps)
ZP67KCETFD522	MC18B240V (AC-3 Rating 18A)	MT323K13 (9.0 - 13.0 amps)	GMP223P22A (4.4 - 22.0 amps)
ZP72KCETFD522	MC18B240V (AC-3 Rating 18A)	MT323K13 (9.0 - 13.0 amps)	GMP223P22A (4.4 - 22.0 amps)
ZP83KCETFD522	MC18B240V (AC-3 Rating 18A)	MT323K18 (12.0 - 18.0 amps)	GMP223P22A (4.4 - 22.0 amps)
ZP103KCETFD522	MC18B240V (AC-3 Rating 18A)	MT323K18 (12.0 - 18.0 amps)	GMP223P22A (4.4 - 22.0 amps)
ZP120KCETFD522	MC22B240V (AC-3 Rating 22A)	MT323K22 (16.0 - 22.0 amps)	GMP223P22A (4.4 - 22.0 amps)
ZP182KCETFD522	MC32A240V (AC-3 Rating 32A)	MT323K32 (22.0 - 32.0 amps)	GMP403P40A (8.0 - 40.0 amps)



# COPELAND COMPRESSORS

## Selection Guide Contactors, Thermal Overloads & Fuses

Airefrig Part Number	3Ph Contactor	3Ph Thermal Overload	3Ph Electronic Overload <i>includes phase loss &amp; phase imbalance protection</i>
ZR40K3ETFD522	MC9B240V (AC-3 Rating 9A)	MT323K8 (5.0 - 8.0 amps)	GMP223P22A (4.4 - 22.0 amps)
ZR48KCETFD522	MC12B240V (AC-3 Rating 12A)	MT323K9 (6.0 - 9.0 amps)	GMP223P22A (4.4 - 22.0 amps)
ZR54KCETFD522	MC12B240V (AC-3 Rating 12A)	MT323K9 (6.0 - 9.0 amps)	GMP223P22A (4.4 - 22.0 amps)
ZR61KCETFD522	MC12B240V (AC-3 Rating 12A)	MT323K13 (9.0 - 13.0 amps)	GMP223P22A (4.4 - 22.0 amps)
ZR68KCETFD522	MC12B240V (AC-3 Rating 12A)	MT323K13 (9.0 - 13.0 amps)	GMP223P22A (4.4 - 22.0 amps)
ZR72KCETFD522 / 523	MC12B240V (AC-3 Rating 12A)	MT323K13 (9.0 - 13.0 amps)	GMP223P22A (4.4 - 22.0 amps)
ZR81KCETFD522 / 523	MC18B240V (AC-3 Rating 18A)	MT323K18 (12.0 - 18.0 amps)	GMP223P22A (4.4 - 22.0 amps)
ZR94KCETFD522 / 523	MC18B240V (AC-3 Rating 18A)	MT323K18 (12.0 - 18.0 amps)	GMP223P22A (4.4 - 22.0 amps)
ZR108KCETFD522 / 523	MC22B240V (AC-3 Rating 22A)	MT323K22 (16.0 - 22.0 amps)	GMP223P22A (4.4 - 22.0 amps)
ZR125KCETFD522 / 523	MC32A240V (AC-3 Rating 32A)	MT323K22 (16.0 - 22.0 amps)	GMP403P40A (8.0 - 40.0 amps)
ZR144KCETFD522 / 523	MC32A240V (AC-3 Rating 32A)	MT323K25 (18.0 - 25.0 amps)	GMP403P40A (8.0 - 40.0 amps)
ZR160KCETFD523	MC32A240V (AC-3 Rating 32A)	MT323K25 (18.0 - 25.0 amps)	GMP403P40A (8.0 - 40.0 amps)
ZR16M3ETWD961	MC32A240V (AC-3 Rating 32A)	MT323K25 (18.0 - 25.0 amps)	GMP403P40A (8.0 - 40.0 amps)
ZR190KCETFD523	MC40A240V (AC-3 Rating 40A)	MT323K32 (22.0 - 32.0 amps)	GMP403P40A (8.0 - 40.0 amps)
ZR19M3ETWD961	MC40A240V (AC-3 Rating 40A)	MT323K32 (22.0 - 32.0 amps)	GMP403P40A (8.0 - 40.0 amps)
ZR250KCETWD523	MC50A240V (AC-3 Rating 50A)	MT633K50 (34.0 - 50.0 amps)	-
ZR310KCETWD523	MC50A240V (AC-3 Rating 50A)	MT633K50 (34.0 - 50.0 amps)	-
ZR380KCETWD523	MC65A240V (AC-3 Rating 65A)	MT633K65 (45.0 - 65.0 amps)	-



MC22B240V



MT323K1



GMP223P22A

# COPELAND COMPRESSORS

## Spare Parts

Airefrig Part Number	Relay	Start Capacitor	Run Capacitor	Crankcase Heater	Suction Service Valve	Discharge Service Valve	Suction Valve Gasket	Discharge Valve Gasket	
<b>CS Series</b>									
CS10K6EPFJ551 CS10K6EPFJ55R	040000154 (040-0166-14)	014003602 (014-0061-26) 130-156MFD 250V	014004810 (014-0064-06) 30MFD 370V	918003105 40Watt 240/480/600V Insertion Type	2605122030 1-1/4" 12UNF 3/4ODF	2605061620 1" 14UNF 3/8ODF	020002802	020002800	
CS10K6EPFJ595				018008800 40Watt 240V Wrap Around					
CS10K6EPFJ583 CS10K6EPFJ 58R				918003105 40Watt 240/480/600V Insertion Type					Stub Tube
CS12K6EPFJ551 CS12K6EPFJ 55R				918003105 40Watt 240/480/600V Insertion Type					Stub Tube
CS14K6EPFJ551 CS14K6EPFJ 55R	040000160 (040-0166-19)	014000851 (014-0061-04) 145-174MFD 220V	014003711 (014-0064-07) 35MFD 370V	918003105 40Watt 240/480/600V Insertion Type	2605122030 1-1/4" 12UNF 3/4ODF	2605061620 1" 14UNF 3/8ODF	020002802	020002800	
CS14K6EPFJ595				018008800 40Watt 240V Wrap Around					
CS14K6EPFJ235 CS14K6EPFJ525				018003702 CH-213 240V 58W Wrap Around					Stub Tubes
CS14K6EPFJ545				018008800 40Watt 240V Wrap Around					Stub Tubes
CS14K6ETFD551 CS14K6ETFD 55R	-	-	-	918003105 40Watt 240/480/600V Insertion Type	2605122030 1-1/4" 12UNF 3/4ODF	2605061620 1" 14UNF 3/8ODF	020002802	020002800	
CS14K6ETFD595				018008800 40Watt 240V Wrap Around					
CS18K6EPFJ551 CS18K6EPFJ55R				918003105 40Watt 240/480/600V Insertion Type					Stub Tubes
CS18K6EPFJ 595				018008800 40Watt 240V Wrap Around					
CS18K6EPFJ235 CS18K6EPFJ525	018003702 CH-213 240V 58W Wrap Around	Stub Tubes							
CS18K6ETFD551 CS18K6ETFD55R	918003105 40Watt 240/480/600V Insertion Type	2605122030 1-1/4" 12UNF 3/4ODF	2605081620 1" 14UNF 1/2ODF	020002802	020002800				
CS18K6ETFD595	018008800 40Watt 240V Wrap Around								
CS20K6ETFD551 CS20K6ETFD55R	918003105 40Watt 240/480/600V Insertion Type								
CS20K6ETFD595	018008800 40Watt 240V Wrap Around								
CS20K6EPFZ235 CS20K6EPFZ525	040000154 (040-0166-14)	014000609 (014-0006-14) 216-259MFD 330V	014003712 (014-0064-08) 40MFD 370V	018003702 CH-213 240V 58W Wrap Around	2605122030 1-1/4" 12UNF 3/4ODF	2605081620 1" 14UNF 1/2ODF	020002802	020002800	
CS20K6EPFZ545				018008800 40Watt 240V Wrap Around					
CS27K6ETFD551 CS27K6ETFD55R	-	-	-	918003105 40Watt 240/480/600V Insertion Type	2605122030 1-1/4" 12UNF 3/4ODF	2605081620 1" 14UNF 1/2ODF	020002802	020002800	
CS27K6ETFD595				018008800 40Watt 240V Wrap Around					
CS33K6ETFD551 CS33K6ETFD55R				918003105 40Watt 240/480/600V Insertion Type					2605142030 1-1/4" 12UNF 7/8ODF
CS33K6ETFD595				018008800 40Watt 240V Wrap Around					

