



**APPROVALS**




 **ENGINEERING CODE**  
863FA51


 **APPROVED REFRIGERANT**  
R-290

 **POWER SUPPLY**  
220-240 V 50 Hz

 **STANDARD CONDITIONS**  
ASHRAE

 **APPLICATION**  
LBP

 **COOLING CAPACITY**  
728 W (LBP)

 **EFFICIENCY**  
1.45 W/W (LBP)

 **MOTOR TYPE**  
CSCR

 **STARTING TORQUE**  
HST

**DATA**

**General Data**

|                                   |                                   |
|-----------------------------------|-----------------------------------|
| Type                              | Hermetic reciprocating            |
| Technology Type                   | On-Off                            |
| Displacement                      | 16.8 cm <sup>3</sup>              |
| Compressor Cooling                | Fan/NotControlled/220             |
| Fan Air Flow                      | 520 m <sup>3</sup> /h             |
| Expansion Device                  | Capillary Tube or Expansion Valve |
| Horse Power                       | 3/4 hp                            |
| Max Condensing Pressure Operating | 18.07 bar                         |
| Max Condensing Pressure Peak      | 20.17 bar                         |
| Power Supply                      | 220-240 V 50 Hz                   |
| Evaporating Temperature Range     | -40 °C to -10 °C                  |

**Electrical Data**

|                          |                 |
|--------------------------|-----------------|
| Motor type               | CSCR            |
| Starting Torque          | HST             |
| Start Winding Resistance | 11.7 Ω at 25° C |
| Run Winding Resistance   | 3.96 Ω at 25° C |

## Mechanical Data

|  |                        |
|--|------------------------|
| Maximum Recommended Refrigerant Charge | 150 g                  |
| Oil Charge                             | 350 ml                 |
| Oil Type Configuration                 | ESTER                  |
| Oil Type Viscosity                     | ISO22                  |
| Pressurization                         | Without dry air charge |
| Weight                                 | 11.9 Kg                |
| Free Internal Volume                   | 2.1 L                  |

## Electrical Components

|                  | Description      |
|------------------|------------------|
| Run Capacitor    | 10               |
| Start Capacitor  | 53-64 Uf / 330 V |
| CSR / CSIR Box   | YES              |
| Starting Device  | RVA2L3C          |
| Motor Protection | T0660/G9         |

## External Characteristics

| Base Plate  | European          |                    |
|-------------|-------------------|--------------------|
| Tray Holder | No                |                    |
| Height      | 206 mm            |                    |
| Connector   | Internal Diameter | Shape              |
| Suction     | 8.1 mm            | Slanted 42°/Copper |
| Discharge   | 6.1 mm            | Straight/Copper    |
| Process     | 6.1 mm            | Slanted 42°/Copper |

## PERFORMANCE

## Rated Points

| Condensing Temperature | Evaporating Temperature | Cooling Capacity | Power Consumption | Current | Gas Flow Rate | Efficiency |
|------------------------|-------------------------|------------------|-------------------|---------|---------------|------------|
| 54.40°C                | -23.30°C                | 729 W            | 502 W             | 2.53 A  | 7.40 kg/h     | 1.45 W/W   |

Test Condition: ASHRAELBP32, Fan/NotControlled/220, Return Gas 32.2°C, Evaporation -23.30°C, Condensing 54.40°C, Ambient 32.2°C, Liquid 32.2°C, Subcooling 22.2K. Data in accordance to EN

12900:2013 and AHRI 540:2015 polynomial equation and uncertainty guidance.

## Performance Curve Data

### Condensing Temperature 35°C

| Evaporating Temperature °C | Cooling Capacity W | Power W | Current A | Gas Flow Rate kg/h | Efficiency W/W |
|----------------------------|--------------------|---------|-----------|--------------------|----------------|
| -40                        | 362                | 309     | 1.7       | 3.65               | 1.17           |
| -35                        | 470                | 349     | 1.87      | 4.75               | 1.35           |
| -30                        | 605                | 391     | 2.05      | 6.12               | 1.55           |
| -25                        | 767                | 433     | 2.24      | 7.78               | 1.77           |
| -20                        | 957                | 477     | 2.43      | 9.74               | 2.01           |
| -15                        | 1174               | 521     | 2.63      | 12.00              | 2.25           |
| -10                        | 1419               | 566     | 2.83      | 14.57              | 2.51           |

Test Condition: ASHRAELBP32, Fan/NotControlled/220, Return Gas 32.2°C, Ambient 32.2°C, Liquid 32.2°C. Data in accordance to EN 12900:2013 and AHRI 540:2015 polynomial equation and uncertainty guidance.

### Condensing Temperature 45°C

| Evaporating Temperature °C | Cooling Capacity W | Power W | Current A | Gas Flow Rate kg/h | Efficiency W/W |
|----------------------------|--------------------|---------|-----------|--------------------|----------------|
| -35                        | 441                | 360     | 1.94      | 4.45               | 1.23           |
| -30                        | 569                | 408     | 2.14      | 5.76               | 1.4            |
| -25                        | 724                | 458     | 2.36      | 7.34               | 1.58           |
| -20                        | 906                | 512     | 2.59      | 9.22               | 1.77           |
| -15                        | 1115               | 568     | 2.84      | 11.39              | 1.96           |
| -10                        | 1353               | 627     | 3.1       | 13.88              | 2.16           |

Test Condition: ASHRAELBP32, Fan/NotControlled/220, Return Gas 32.2°C, Ambient 32.2°C, Liquid 32.2°C. Data in accordance to EN 12900:2013 and AHRI 540:2015 polynomial equation and uncertainty guidance.

### Condensing Temperature 55°C

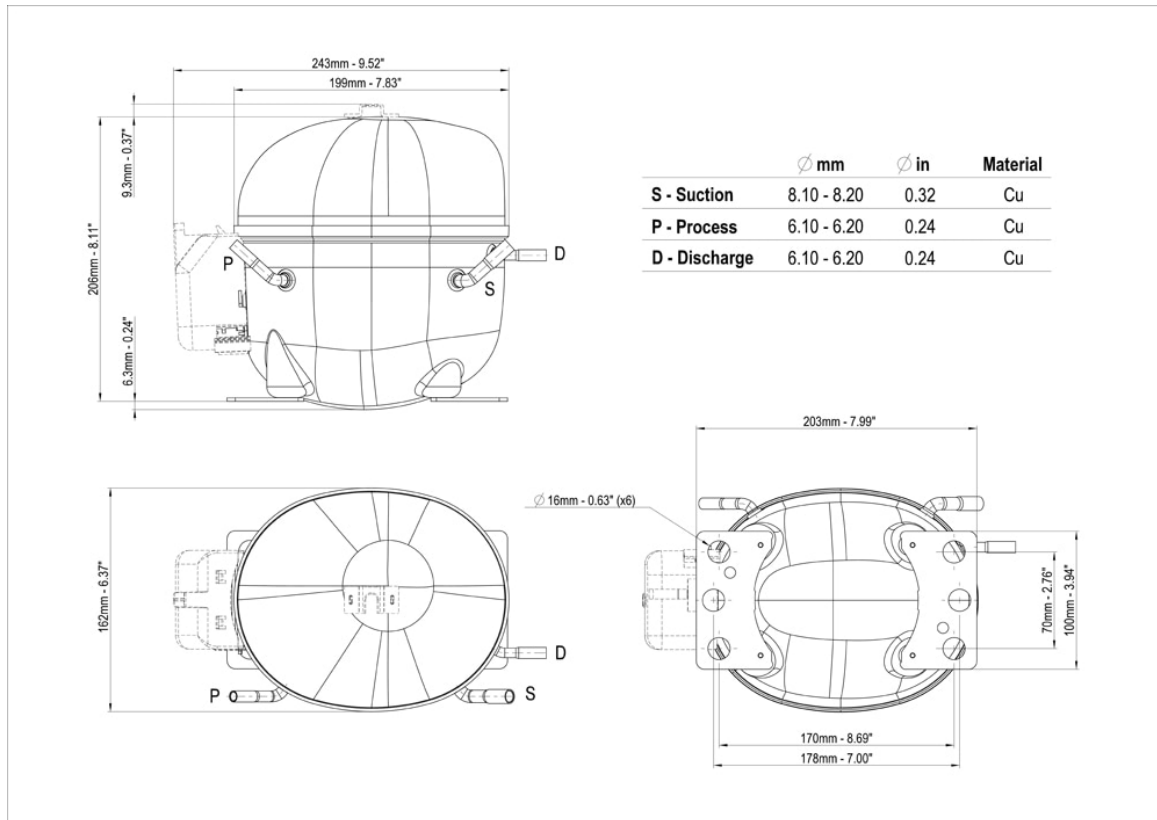
| Evaporating Temperature °C | Cooling Capacity W | Power W | Current A | Gas Flow Rate kg/h | Efficiency W/W |
|----------------------------|--------------------|---------|-----------|--------------------|----------------|
| -30                        | 526                | 426     | 2.2       | 5.32               | 1.23           |
| -25                        | 672                | 482     | 2.45      | 6.81               | 1.39           |
| -20                        | 845                | 543     | 2.72      | 8.60               | 1.56           |
| -15                        | 1045               | 609     | 3.02      | 10.68              | 1.72           |
| -10                        | 1274               | 679     | 3.34      | 13.07              | 1.87           |

Test Condition: ASHRAELBP32, Fan/NotControlled/220, Return Gas 32.2°C, Ambient 32.2°C, Liquid 32.2°C. Data in accordance to EN 12900:2013 and AHRI 540:2015 polynomial equation and uncertainty guidance.

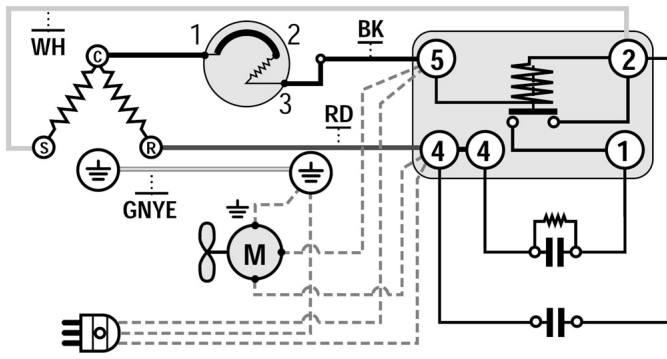
## Operating Envelope



## External Dimensions



## Wiring Diagram



## Assembly Instructions

