

Technical Data Sheet

Compressor model **L76TN**
 Voltage **220-240V 50Hz ~1**
 Refrigerant **R22**

APPLICATION

COMPRESSOR

MOTOR

Application	High-Medium Back Pressure	Displacement	7,57 cm ³	Nominal Power	3/8 hp
Refrigerant	R22	Diameter	25,40 mm	Voltage/Frequency	220-240V 50Hz
Evaporating Temp.	-25,0 °C to 10,0 °C	Stroke	14,92 mm	Voltage range	198-264 V
Expansion	Capillar/Valve	Net Weight	10,20 Kg	Type	CSIR
Comp. Cooling	Fan cooled	Oil type	ISO VG 46 MINER	Phase number	1 PH
Max. ambient temp.	43,0 °C	Oil charge	470 cm ³	Locked Rotor Amps (LRA)	12,80 A
				Max. Cont. Current (MCC)	5,10 A
				Main W. resist. at 25°C	7,75 Ω
				Start W. resist. at 25°C	21,43 Ω

NOMINAL PERFORMANCE

	ASHRAE	CECOMAF
Cooling Capacity	820 kCal/h	815 W
COP	1,95 W/W	1,71 W/W
EER	1,67 kCal/Wh	1,48 kCal/Wh
Input Power	490 W	477 W
Current	2,80 A	2,73 A

APPROVALS



TEST CYCLE CONDITIONS

	ASHRAE HMBP (D)	CECOMAF HMBP (C)
Evaporating temp. (T _e)	7,2 °C	5,0 °C
Condensing temp. (T _c)	55,0 °C	55,0 °C
Liquid temp. (T _{liq.})	46,0 °C	55,0 °C
Ambient temp. (T _{amb.})	35,0 °C	32,0 °C
Suction temp. (T _{suction})	35,0 °C	32,0 °C
Voltage/Frequency	220 V 50 Hz	220 V 50 Hz

ELECTRICAL COMPONENTS

Starting capacitor	47- 56 μF 330 V		
Relay	Option 1		
Reference	2014 138.		
Pick-Up	6,10 A		
Drop-Out	5,20 A		
Protector	Option 1	Option 2	
Reference	MRT26AMK	T0181	
Current	11,10 A	11,10 A	
Time check	7,5-14 seg	7,5-14 seg	
Disc temp. (Open/Close)	105,00 / 61,00 °C	105,00 / 61,00 °C	

ASHRAE

Tc °C	Te °C	Cooling Capacity kCal/h	Consumption W	Current A	COP W/W	EER kCal/Wh
40	-25	265	251	1,85	1,23	1,06
40	-20	346	273	1,91	1,47	1,27
40	-15	440	296	1,98	1,73	1,49
40	-10	549	319	2,06	2,00	1,72
40	-5	673	344	2,15	2,28	1,96
40	0	810	369	2,24	2,55	2,20
40	5	962	394	2,35	2,84	2,44
40	7,2	1.033	406	2,40	2,96	2,54
40	10	1.128	421	2,47	3,12	2,68

45	-25	240	255	1,86	1,09	0,94
45	-20	313	281	1,93	1,30	1,12
45	-15	401	307	2,02	1,52	1,30
45	-10	503	335	2,12	1,75	1,50
45	-5	619	363	2,22	1,99	1,71
45	0	749	391	2,34	2,23	1,91
45	5	894	421	2,47	2,47	2,12
45	7,2	962	434	2,53	2,58	2,22
45	10	1.053	451	2,61	2,71	2,33

50	-25	215	259	1,87	0,97	0,83
50	-20	281	289	1,96	1,13	0,97
50	-15	362	319	2,06	1,32	1,13
50	-10	456	350	2,17	1,52	1,30
50	-5	565	382	2,30	1,72	1,48
50	0	689	414	2,43	1,93	1,66
50	5	826	447	2,59	2,15	1,85
50	7,2	891	462	2,66	2,24	1,93
50	10	978	481	2,75	2,36	2,03

55	-25	190	263	1,88	0,84	0,72
55	-20	249	296	1,98	0,98	0,84
55	-15	322	330	2,10	1,14	0,98
55	-10	410	365	2,23	1,31	1,12
55	-5	512	400	2,38	1,49	1,28
55	0	628	437	2,54	1,67	1,44
55	5	758	474	2,72	1,86	1,60
55	7,2	820	490	2,80	1,95	1,67
55	10	903	511	2,91	2,05	1,77

CECOMAF

Tc °C	Te °C	Cooling Capacity W	Consumption W	Current A	COP W/W	EER kCal/Wh
40	-25	290	252	1,85	1,15	0,99
40	-20	378	275	1,91	1,38	1,19
40	-15	482	298	1,99	1,62	1,40
40	-10	601	321	2,07	1,87	1,62
40	-5	736	346	2,16	2,13	1,84
40	0	886	371	2,25	2,39	2,06
40	5	1.051	397	2,36	2,65	2,29
40	7,2	1.128	409	2,41	2,76	2,38
40	10	1.231	424	2,48	2,90	2,51

45	-25	261	256	1,86	1,02	0,88
45	-20	342	282	1,94	1,21	1,05
45	-15	437	309	2,03	1,41	1,22
45	-10	548	337	2,12	1,63	1,41
45	-5	674	365	2,23	1,85	1,60
45	0	816	394	2,35	2,07	1,79
45	5	972	424	2,48	2,30	1,98
45	7,2	1.046	437	2,54	2,39	2,07
45	10	1.144	454	2,62	2,52	2,18

50	-25	233	260	1,87	0,89	0,77
50	-20	305	290	1,96	1,05	0,91
50	-15	392	321	2,06	1,22	1,06
50	-10	495	352	2,18	1,41	1,21
50	-5	613	384	2,31	1,60	1,38
50	0	746	417	2,45	1,79	1,55
50	5	894	450	2,60	1,99	1,72
50	7,2	964	465	2,67	2,07	1,79
50	10	1.057	484	2,77	2,18	1,89

55	-25	205	264	1,88	0,77	0,67
55	-20	268	298	1,99	0,90	0,78
55	-15	347	332	2,11	1,05	0,90
55	-10	441	367	2,24	1,20	1,04
55	-5	551	403	2,39	1,37	1,18
55	0	675	439	2,55	1,54	1,33
55	5	815	477	2,73	1,71	1,48
55	7,2	882	493	2,82	1,79	1,54
55	10	971	515	2,93	1,89	1,63

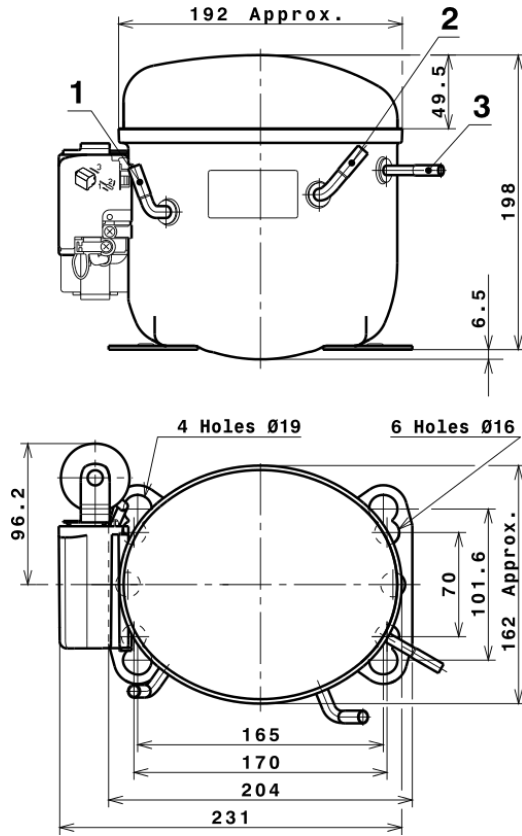
EN12900

X	Cooling Capacity (W)	Consumption (W)	Current (A)	Mass Flow (kg/h)
1	1.464,9664564438	193,4602319711	1,3235620288	25,469826491151
2	45,5633151817	-0,8078412634	-0,0091537305	0,85453936923852
3	-14,4003628427	4,6894785823	0,0233856889	-0,16710240143294
4	0,3075538481	0,0184744294	0,0003453469	0,0083437224702727
5	-0,3470462578	0,1546728007	0,0008381101	-0,0033569219508965

Equation	$x_1 + x_2Te + x_3Tc + x_4Te^2 + x_5TeTc$
----------	---

Technical Data Sheet

COMPRESSOR DIMENSIONS



DESIGNATION INTERNAL DIAM.

DESIGNATION	INTERNAL DIAM.
1	Suction 8,1 mm
2	Service 8,1 mm
3	Discharge 6,5 mm

WIRING DIAGRAMS AND ELECTRICAL ASSEMBLY

CSIR CONNECTION (L, P ranges)



FIXINGS



SILENT BLOCKS (MOUNTING ACCESSORIES)

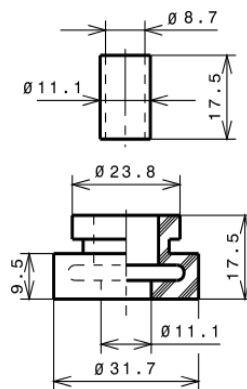
STANDARD

Ø16 holes (170x70 net)



AMERICAN FEET

Ø19 holes (165x101.6 net)



SNAP-ON

Ø16 holes (170x70 net)



SOA

SOA R22 HMBP

