

Technical Data Sheet

Compressor model **L45TN**
 Voltage **220-240V 50Hz ~1**
 Refrigerant **R22**

APPLICATION

COMPRESSOR

MOTOR

| | | | | | |
|--------------------|---------------------------|--------------|----------------------|--------------------------|---------------|
| Application | High-Medium Back Pressure | Displacement | 4,56 cm ³ | Nominal Power | 1/5 hp |
| Refrigerant | R22 | Diameter | 19,09 mm | Voltage/Frequency | 220-240V 50Hz |
| Evaporating Temp. | -25,0 °C to 10,0 °C | Stroke | 15,93 mm | Voltage range | 198-264 V |
| Expansion | Capillar/Valve | Net Weight | 10,04 Kg | Type | CSIR |
| Comp. Cooling | Fan cooled | Oil type | ISO VG 46 MINER | Phase number | 1 PH |
| Max. ambient temp. | 43,0 °C | Oil charge | 300 cm ³ | Locked Rotor Amps (LRA) | 9,00 A |
| | | | | Max. Cont. Current (MCC) | 2,80 A |
| | | | | Main W. resist. at 25°C | 11,42 Ω |
| | | | | Start W. resist. at 25°C | 45,53 Ω |

NOMINAL PERFORMANCE

APPROVALS

| | ASHRAE | CECOMAF |
|------------------|--------------|--------------|
| Cooling Capacity | 500 kCal/h | 497 W |
| COP | 1,91 W/W | 1,67 W/W |
| EER | 1,64 kCal/Wh | 1,44 kCal/Wh |
| Input Power | 305 W | 298 W |
| Current | 1,70 A | 1,67 A |

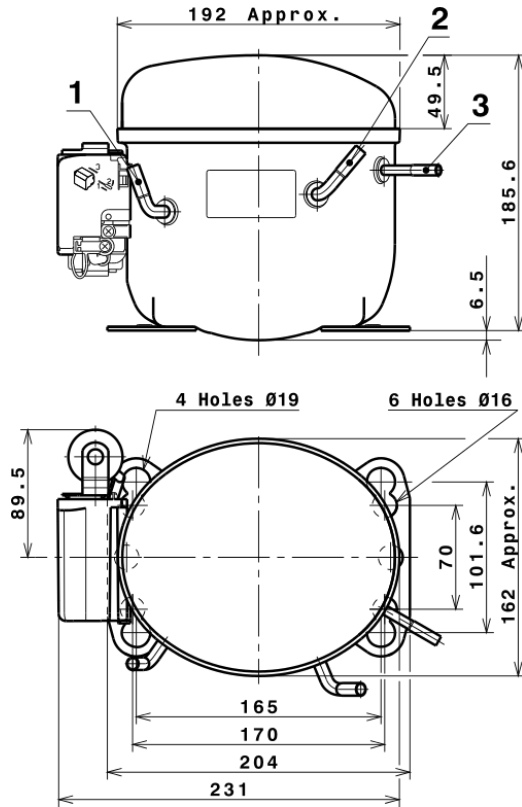
TEST CYCLE CONDITIONS

| | ASHRAE HMBP (D) | CECOMAF HMBP (C) |
|---------------------------------------|--------------------|---------------------|
| Evaporating temp. (T _e) | 7,2 °C | 5,0 °C |
| Condensing temp. (T _c) | 55,0 °C | 55,0 °C |
| Liquid temp. (T _{liq.}) | 46,0 °C | 55,0 °C |
| Ambient temp. (T _{amb.}) | 35,0 °C | 32,0 °C |
| Suction temp. (T _{suction}) | 35,0 °C | 32,0 °C |
| Voltage/Frequency | 220 V 50 Hz | 220 V 50 Hz |

ELECTRICAL COMPONENTS

| | | | |
|-------------------------|-------------------|-------------------|--|
| Starting capacitor | 47- 56 μF 330 V | | |
| Relay | Option 1 | | |
| Reference | 2014 125. | | |
| Pick-Up | 4,55 A | | |
| Drop-Out | 3,90 A | | |
| Protector | Option 1 | Option 2 | |
| Reference | MRP61HK | T0322 | |
| Current | 7,50 A | 7,20 A | |
| Time check | 7,5-14 seg | 7,5-14 seg | |
| Disc temp. (Open/Close) | 105,00 / 61,00 °C | 110,00 / 61,00 °C | |

COMPRESSOR DIMENSIONS

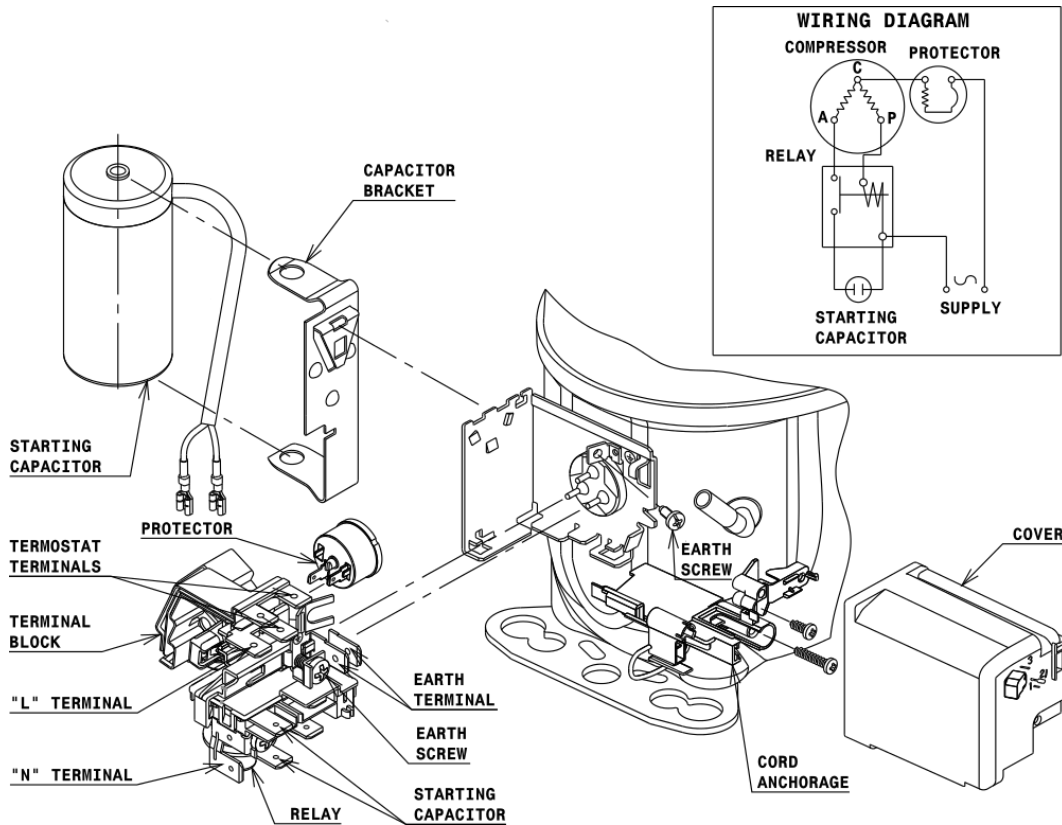


DESIGNATION INTERNAL DIAM.

| DESIGNATION | INTERNAL DIAM. |
|-------------|----------------|
| 1 Suction | 6,5 mm |
| 2 Service | 6,5 mm |
| 3 Discharge | 4,9 mm |

WIRING DIAGRAMS AND ELECTRICAL ASSEMBLY

CSIR CONNECTION (L, P ranges)



FIXINGS



SILENT BLOCKS (MOUNTING ACCESSORIES)

STANDARD

Ø16 holes (170x70 net)



AMERICAN FEET

Ø19 holes (165x101.6 net)



SNAP-ON

Ø16 holes (170x70 net)



SOA

SOA R22 HMBP

