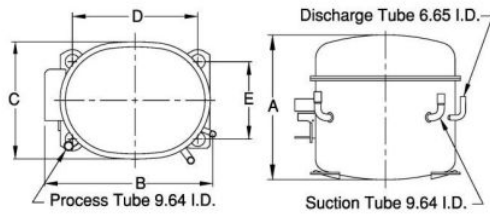


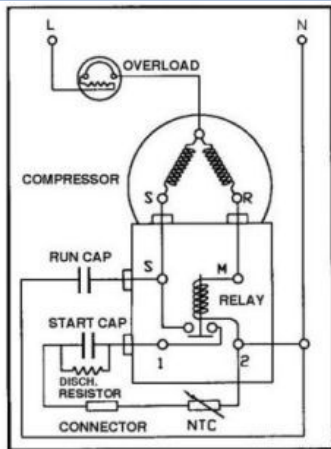


**PRINCIPAL DIMENSIONS - mm**



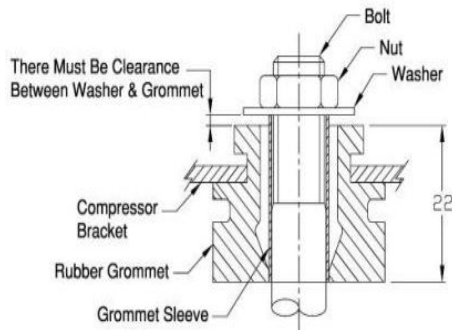
A: 216	B: 216	C: 155	D: 165	E: 102
--------	--------	--------	--------	--------

**SCHEMATIC WIRING DIAGRAM C.S.R.**



**SCHEMATIC WIRING DIAGRAM -**

**MOUNTING KIT**



Electrical : 220-240 V/50 Hz. 1 Phase

**Nominal Performance**

Capacity	400 / - Watts
	1,365 / - BTU/Hr
	344 / - Kcal/Hr
Power Input	325 / - Watts
Locked Rotor Amps	16.00 / - Amps
Max Continuous Current	- / - Amps
Rated Load Amps	1.70 / - Amps
COP	1.23 / - Watts / Watts
EER	4.20 / - BTU/W-Hr

**Testing Conditions**

Condensing Temperature	54.40 °C	129.9 °F
Evaporating Temperature	-23.30 / - °C	-9.9 / - °F
Liquid Temperature	32.20 °C	90.0 °F
Return Gas Temperature	32.20 °C	90.0 °F
Ambient Temperature	32.20 °C	90.0 °F

**Application**

Evaporating Temp. Range	LBP	@ -40.00 °C to -12.20 °C (-40.0° F to 10.0° F)
	Heat Pump	- °C to - °C (-° F to -° F)
Refrigerant	R134a	
Refrigerant Flow Control	Capillary Tube	
Compressor Cooling	Fan	

**Compressor and Motor data**

Compressor Type	Reciprocating
Displacement	18.00 cc.
Oil Type	Polyolester Oil
Oil Charge	457 cc.
Motor Type	C.S.R. ; 2 Pole 2,850 / - r/m
Voltage Range	187 - 264/- Volts 50/- Hz.
Winding Resistance at 25 °C	
Start	9.10 Ohms
Run	4.10 Ohms
Weight with Oil	12.30 Kg.
Weight with Oil and Accessories	12.95 Kg.

**Electrical Components**

<b>Motor Protector</b>	
Type	External 3/4"
Model Number	KME664-10/C
Open / Close	115-125 / 78-60 °C
1st Cycle trip at 25 °C	15.20 Amps(main) - Amps(start)
<b>Motor Starter</b>	
Type	Current Relay
Model Number	KME682-23NT
Pick Up (max.)	10.30 Amps
Drop Out (min.)	9.60 Amps
Terminal Cover	KMD 901-12
Start Capacitor	36-43 µF 330 VAC.
Disch Resistor for Start Cap	15000 Ohms 2 W
Run Capacitor	10 µF 440 VAC.

**Mounting Kit**

Rubber Grommet	4007KMD905-3
Sleeve Grommet	3KMD903-2-Z
Washer	4023KEB387

Since we are constantly improving our product , the specification are subject to change without notice.

REV. DATE	C / N No.
27-10-16	0452/16

**Certificate Marks**

