

V

WIRING DIAGRAM & ACCESSORY FITTING
MODEL: V SERIES

No.

SC-W-52171969-C

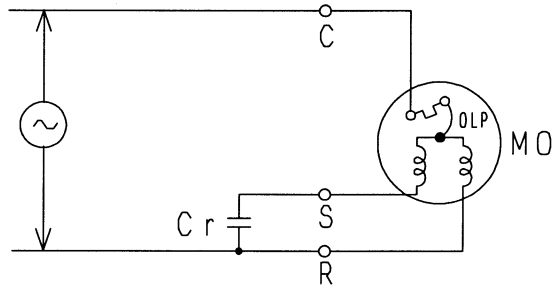
DATE OF APPROVAL

02.2.20

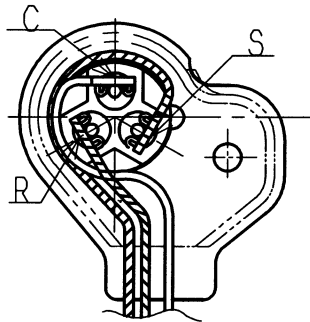
APPROVED BY

J.Y

WIRING DIAGRAM

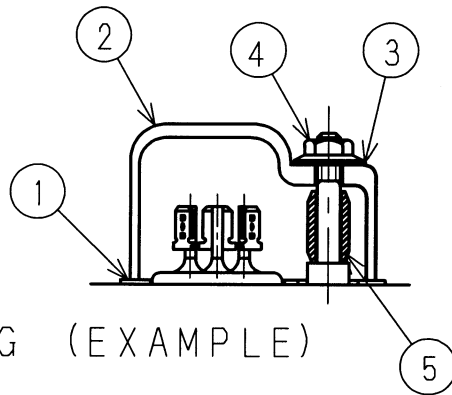


ACCESSORY FITTING

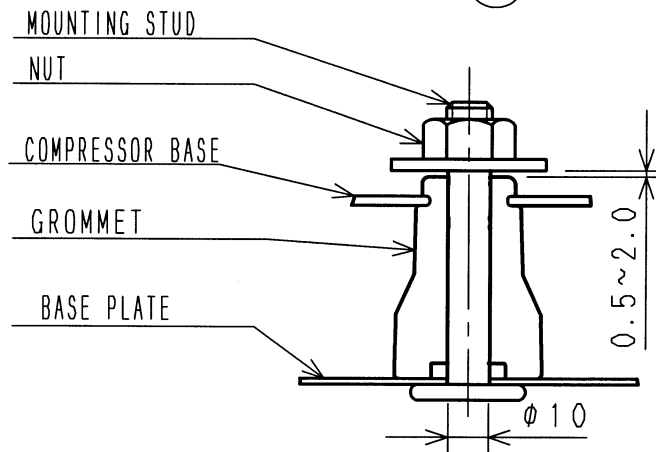


P A R T S	
1	GASKET-TERMINAL COVER
2	TERMINAL COVER
3	GASKET-NUT
4	NUT-TERMINAL COVER
5	CAP-STUD PIN

FASTEN NUT④ WITH TORQUE
15~20kg·cm



MOUNTING (EXAMPLE)



(THERE MUST BE CLEARANCE
BETWEEN GROMMET & NUT.)

UNIT : mm