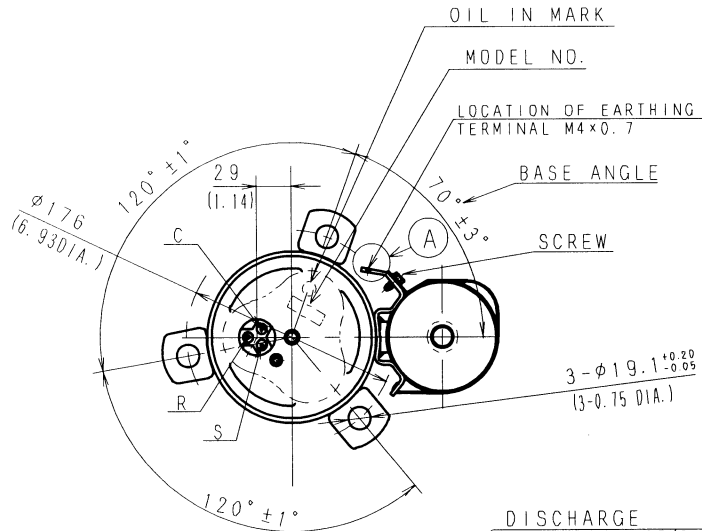
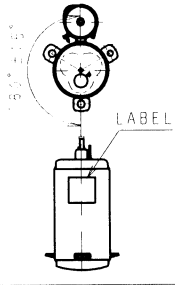


LABEL LOCATION

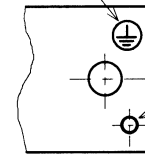


AD7005438-A

NOTES

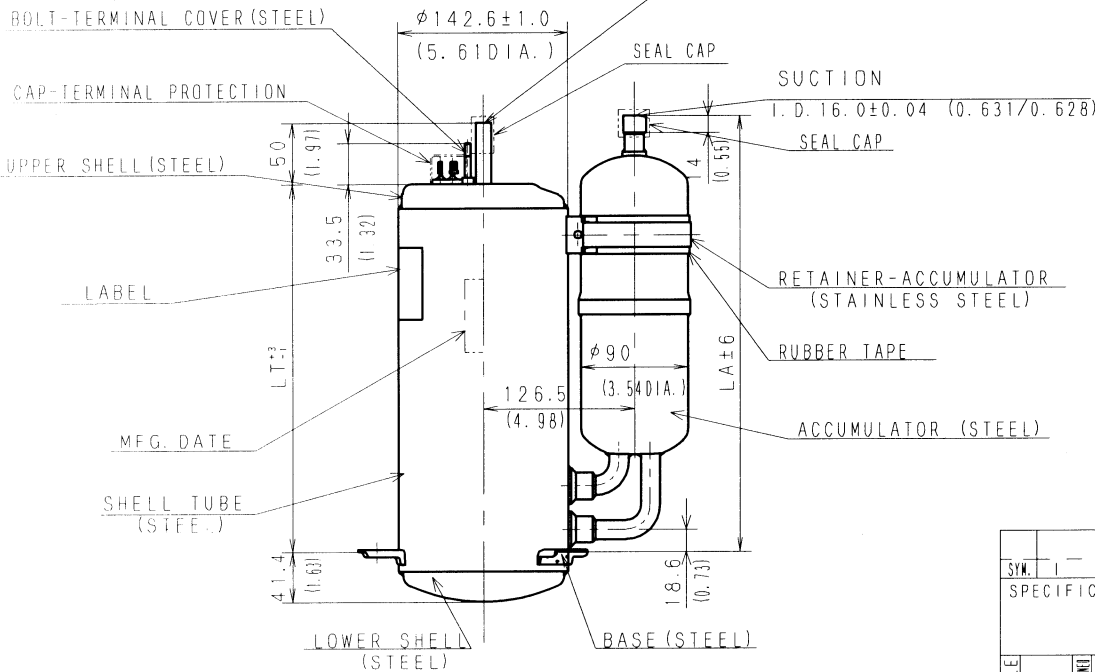
1. PAINTING : BLACK PAINT BAKED.
2. OIL : SUNISO 4GD10 OR ATMDS M60 750cm³ CHARGED AND MARK STAMPED ON THE UPPER SHELL.
3. NITROGEN GAS (OVER ATMOSPHERIC PRESSURE) : CHARGED AFTER DEHYDRATION.
4. EARTH SYMBOL : SHOWN NEAR THE EARTHING TERMINAL.
5. ETC. : IDENTIFICATION MARKS FOR COMPRESSOR MANUFACTURING USE MAY BE APPEARED, AND ADDITIONAL LABEL MAY BE ATTACHED ON SURFACE.

EARTH SYMBOL



LOCATION OF EARTHING TERMINAL M4x0.7

DETAIL (A)



AD7005438-A	7005438	2V47N225AUA	299 (11.77)	358 (14.09)	DEC. 09.'03	<i>[Signature]</i>
DRAW. NO.	PARTS NO.	MODEL NAME	LT	LA	DATE	SIGNED

UNIT : mm (INCH)

SYMBOL	ITEM	PART NO.	QTY.	MATERIAL & SIZE	REMARK
SPECIFICATION					
SCALE	FREE	DESIGN	DRAWN	CHECKED	DATE
					DEC. 09.'03
NAME					COMPRESSOR ASS'Y
AD7005438-A					