




APPROVALS




 **ENGINEERING CODE**
925FA60


 **APPROVED REFRIGERANT**
R-404A

 **POWER SUPPLY**
220-240 V 50 Hz

 **STANDARD CONDITIONS**
ASHRAE

 **APPLICATION**
MBP

 **COOLING CAPACITY**
2632 W (MBP)

 **EFFICIENCY**
1.87 W/W (MBP)

 **MOTOR TYPE**
CSCR

 **STARTING TORQUE**
HST

DATA

General Data

Type	Hermetic reciprocating
Technology Type	On-Off
Displacement	27.8 cm ³
Compressor Cooling	Fan/NotControlled/220
Fan Air Flow	520 m ³ /h
Expansion Device	Capillary Tube or Expansion Valve
Horse Power	1 1/2 hp
Max Condensing Pressure Operating	24.71 bar
Max Condensing Pressure Peak	27.71 bar
Power Supply	220-240 V 50 Hz
Evaporating Temperature Range	-20 °C to 10 °C

Electrical Data

Motor type	CSCR
Starting Torque	HST
Start Winding Resistance	3.95 Ω at 25° C
Run Winding Resistance	1.47 Ω at 25° C

Mechanical Data

Maximum Recommended Refrigerant Charge	800 g
Oil Charge	650 ml
Oil Type Configuration	ESTER
Oil Type Viscosity	ISO22
Pressurization	Dry air charge
Weight	18.3 Kg
Free Internal Volume	3.75 L

Electrical Components

	Description
Start Capacitor	88-108 Uf / 330 V
CSR / CSIR Box	YES
Run Capacitor	30
Starting Device	3ARR3B10AS3
Motor Protection	15HM1963-247

External Characteristics

Base Plate	Universal	
Tray Holder	No	
Height	250 mm	
Connector	Internal Diameter	Shape
Suction	12.77 mm	Slanted/Copper
Discharge	9.6 mm	Vertical/Copper
Process	6.42 mm	Vertical/Copper

PERFORMANCE

Rated Points

Condensing Temperature	Evaporating Temperature	Cooling Capacity	Power Consumption	Gas Flow Rate	Efficiency
54.40°C	-6.70°C	2632 W	1405 W	71.90 kg/h	1.87 W/W

Test Condition: ASHRAEMBP46, Fan/NotControlled/220, Return Gas 35°C, Evaporation -6.70°C, Condensing 54.40°C, Ambient 35°C, Liquid 46.1°C, Subcooling 8.3K. Data are an indication of performance based simulation.

Performance Curve Data

Condensing Temperature 35°C

Evaporating Temperature °C	Cooling Capacity W	Power W	Gas Flow Rate kg/h	Efficiency W/W
-20	2089	972	45.34	2.15
-15	2584	1046	56.48	2.47
-10	3186	1112	70.04	2.86
-5	3897	1172	86.26	3.32
0	4719	1225	105.38	3.85
5	5655	1270	127.62	4.45
10	6708	1306	153.21	5.14

Test Condition: ASHRAEMB46, Fan/NotControlled/220, Return Gas 35°C, Ambient 35°C, Subcooling 8.3K. Data are an indication of performance based simulation.

Condensing Temperature 45°C

Evaporating Temperature °C	Cooling Capacity W	Power W	Gas Flow Rate kg/h	Efficiency W/W
-20	1816	1047	43.56	1.73
-15	2229	1138	53.81	1.96
-10	2737	1227	66.49	2.23
-5	3342	1314	81.84	2.54
0	4047	1399	100.09	2.89
5	4854	1480	121.46	3.28
10	5767	1559	146.21	3.7

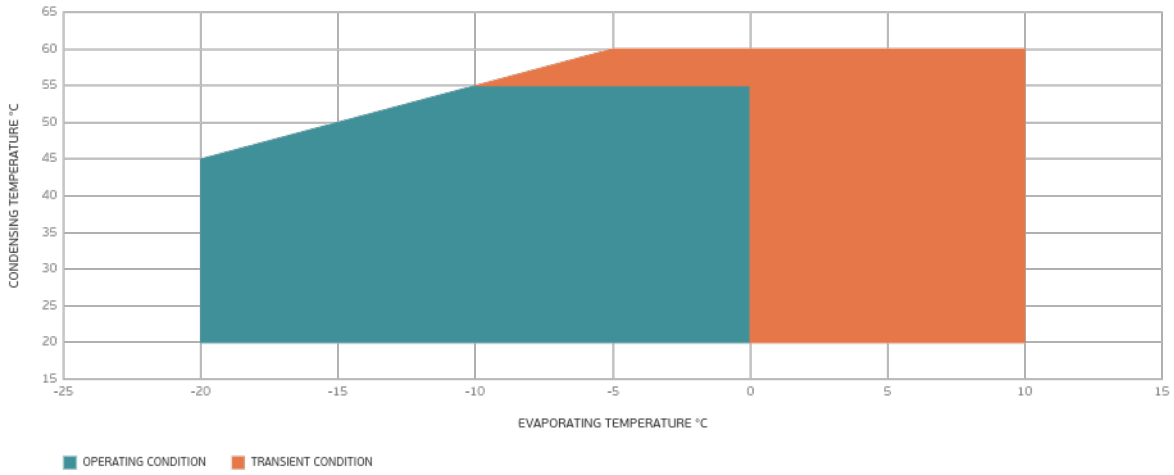
Test Condition: ASHRAEMB46, Fan/NotControlled/220, Return Gas 35°C, Ambient 35°C, Subcooling 8.3K. Data are an indication of performance based simulation.

Condensing Temperature 55°C

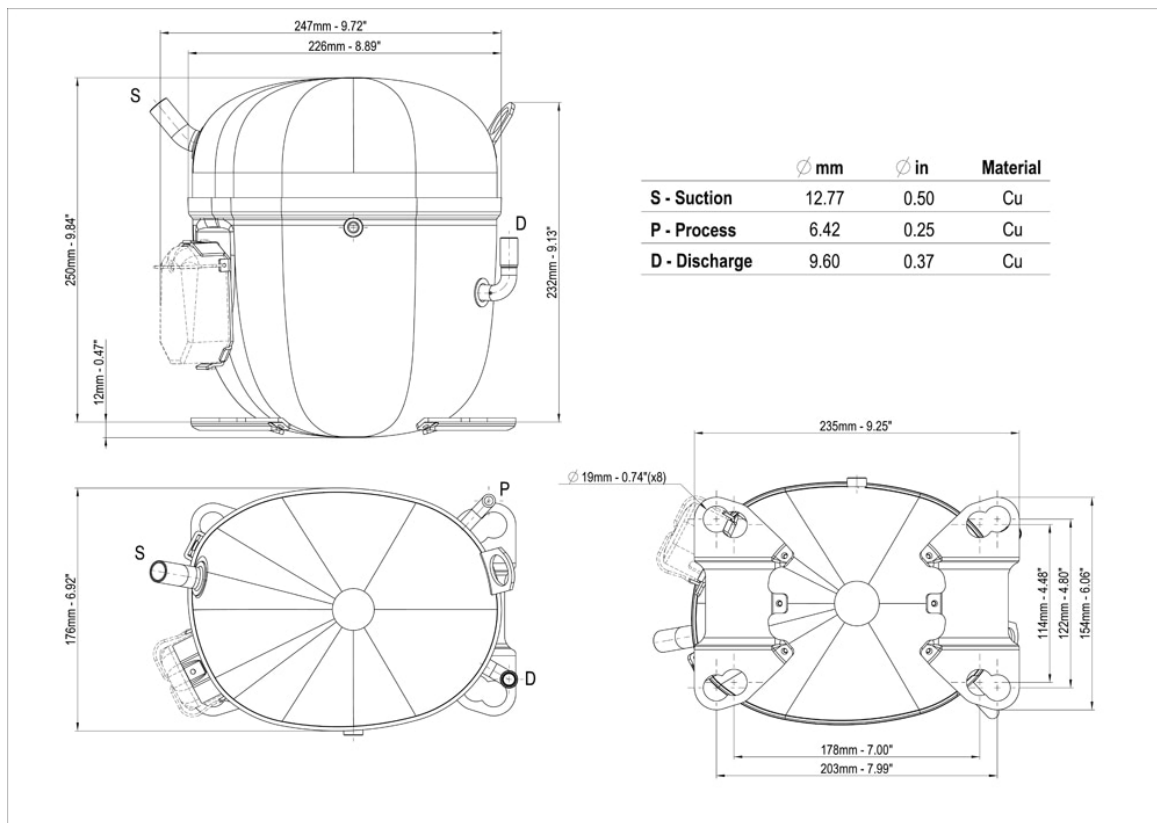
Evaporating Temperature °C	Cooling Capacity W	Power W	Gas Flow Rate kg/h	Efficiency W/W
-10	2292	1344	62.65	1.71
-5	2788	1449	76.90	1.92
0	3371	1557	94.06	2.17
5	4046	1667	114.35	2.43
10	4813	1779	138.01	2.71

Test Condition: ASHRAEMB46, Fan/NotControlled/220, Return Gas 35°C, Ambient 35°C, Subcooling 8.3K. Data are an indication of performance based simulation.

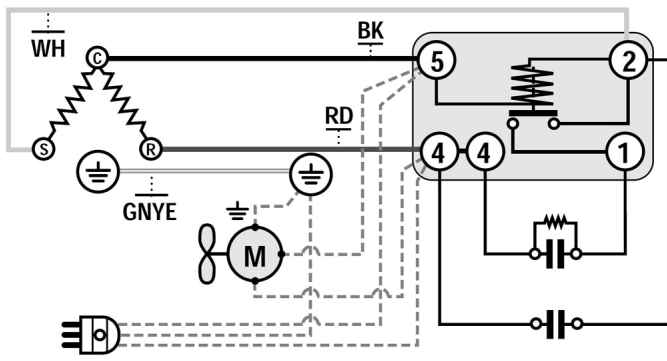
Operating Envelope



External Dimensions



Wiring Diagram



Assembly Instructions

