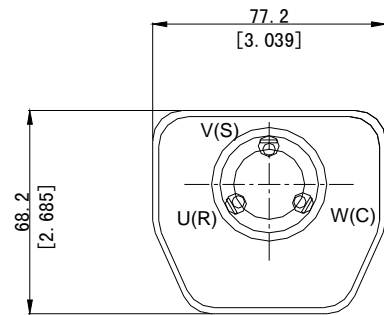
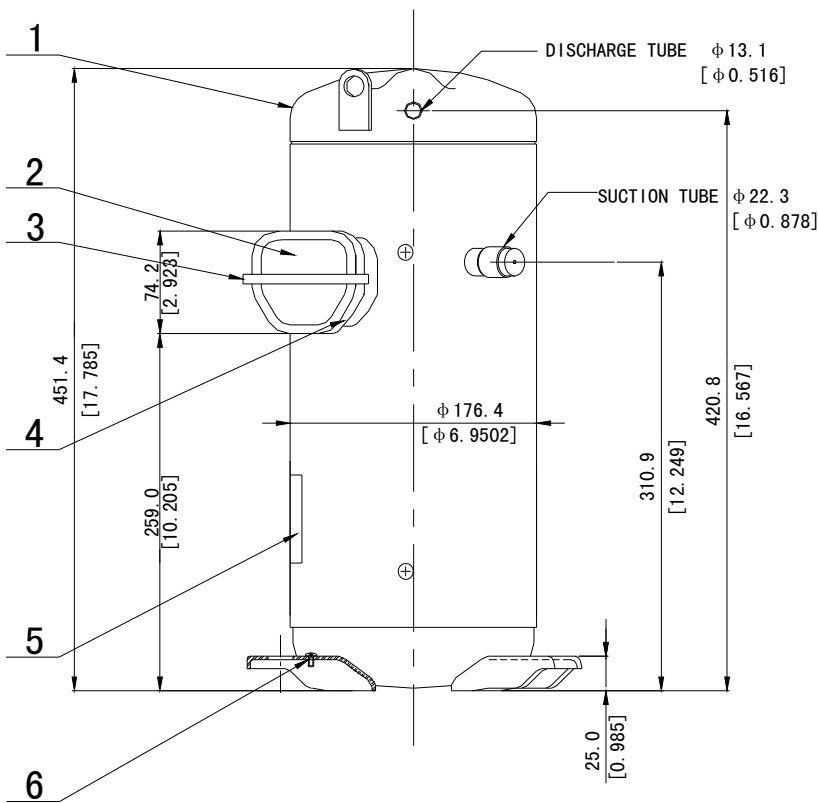
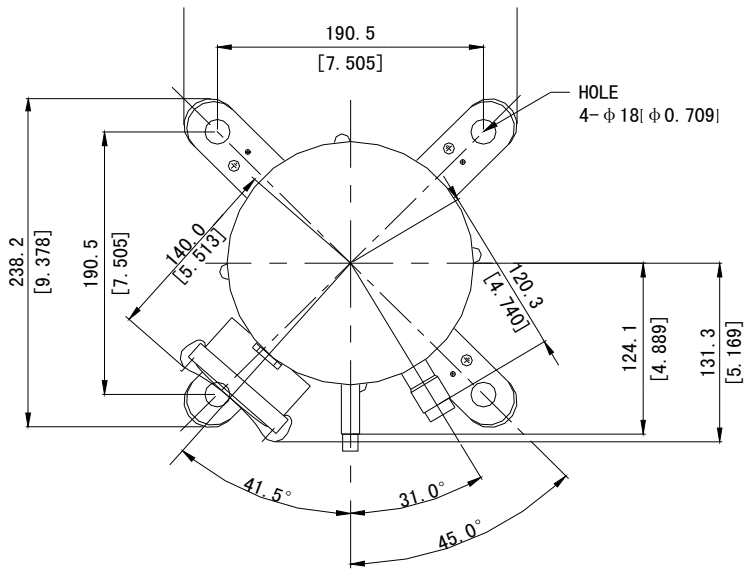


# DIMENSIONAL SKETCH

C-SB Series



TERMINAL

No.	Qty	Name
1	1	Compressor
2	1	Terminal Box Cover
3	1	Terminal Box Clip
4	1	Insulating Grommet
5	1	Nameplate
6	1	Screw Special