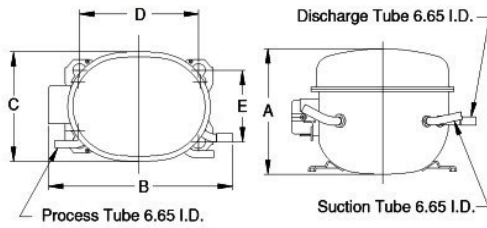


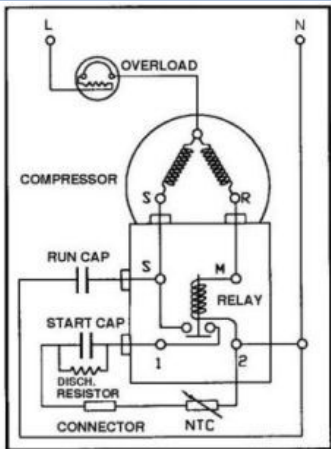


**PRINCIPAL DIMENSIONS - mm**



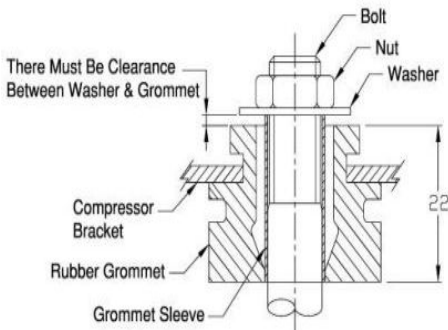
A: 196	B: 265	C: 155	D: 165	E: 102
--------	--------	--------	--------	--------

**SCHEMATIC WIRING DIAGRAM C.S.R.**



**SCHEMATIC WIRING DIAGRAM -**

**MOUNTING KIT**



Electrical : 220-240 V/50 Hz. 1 Phase

**Nominal Performance**

Capacity	527 / 900 Watts
	1,798 / 3,071 BTU/Hr
	453 / 774 Kcal/Hr
Power Input	372 / 492 Watts
Locked Rotor Amps	19.00 / 19.00 Amps
Max Continuous Current	- / - Amps
Rated Load Amps	1.80 / 2.40 Amps
COP	1.42 / 1.83 Watts / Watts
EER	4.83 / 6.24 BTU/W-Hr

**Testing Conditions**

Condensing Temperature	54.40 °C	129.9 °F
Evaporating Temperature	-6.70 / 7.20 °C	19.9 / 45.0 °F
Liquid Temperature	46.10 °C	115.0 °F
Return Gas Temperature	35.00 °C	95.0 °F
Ambient Temperature	35.00 °C	95.0 °F

**Application**

Evaporating Temp. Range	MBP/HBP	@ -23.30 ° C to 12.70 ° C (-9.9° F to 54.9° F)
	Heat Pump	- ° C to - ° C (-° F to -° F)
Refrigerant	R404A	
Refrigerant Flow Control	Capillary Tube	
Compressor Cooling	Fan	

**Compressor and Motor data**

Compressor Type	Reciprocating
Displacement	6.92 cc.
Oil Type	Polyolester Oil
Oil Charge	357 cc.
Motor Type	C.S.R. ; 2 Pole 2,850 / 2,850 r/m
Voltage Range	187-264/- Volts 50/- Hz.
Winding Resistance at 25 ° C	
Start	11.34 Ohms
Run	5.68 Ohms
Weight with Oil	10.90 Kg.
Weight with Oil and Accessories	11.55 Kg.

**Electrical Components**

<b>Motor Protector</b>	
Type	External 3/4"
Model Number	KME660-8/C
Open / Close	100-110 / 78-60 ° C
1st Cycle trip at 25 ° C	11.00 Amps(main) - Amps(start)
<b>Motor Starter</b>	
Type	Current Relay
Model Number	KME682-1NT
Pick Up (max.)	6.70 Amps
Drop Out (min.)	5.90 Amps
Terminal Cover	KMD 901-12
Start Capacitor	36-43 µF 330 VAC.
Disch Resistor for Start Cap	15000 Ohms 2 w
Run Capacitor	8 µF 450 VAC.

**Mounting Kit**

Rubber Grommet	4007KMD905-3
Sleeve Grommet	3KMD903-2-Z
Washer	4023KEB387

Since we are constantly improving our product , the specification are subject to change without notice.

REV. DATE	C / N No.
10-02-17	0067/17

**Certificate Marks**

