

APPROVALS




 **ENGINEERING CODE**
301CO1101AC


 **APPROVED REFRIGERANT**
R-404A


 **POWER SUPPLY**
380 V 50 Hz

 **STANDARD CONDITIONS**
EN12900

 **APPLICATION**
MBP

 **COOLING CAPACITY**
5013 W

 **EFFICIENCY**
2.15 W/W

 **MOTOR TYPE**
3 Phase

DATA

General Data

Type	Hermetic Scroll Compressor
Technology Type	On-Off
Displacement (Swept Volume)	8.1 m ³ /h (46.6 cm ³ /rev)
Compressor Cooling	Static
Horse Power	3 hp
Power Supply	380-420 V 50 Hz / 460 V 60 Hz

Electrical Data

Motor type	3 Phase
Pole	2
Voltage working range at 50 Hz	342-462 V
Voltage working range at 60 Hz	414-506 V
Maximum Motor Temperature	130 °C
Run Winding Resistance	3.3 Ω at 25° C
Motor insulation class	B
Rated speed	2900
High Side	3.2 MPa
Low Side	2 MPa
Maximum discharge temperature	125
Pressure release valve opening range	2.76-3.10 MPa

Mechanical Data

Maximum Recommended Refrigerant Charge	3.5 Kg
Oil Type	POE 32
Oil Initial Volume	1.4 L
Oil Recharge Volume	1.25 L
Oil Circulation	<1 %
Weight	30.1 Kg
Free Internal Volume Low	3.8 L
Free Internal Volume High	1 L

Electrical Components

	Description
Motor Protection	Internal Protector

External Characteristics

Base Plate Holes	191x191		
Base Plate Dimensions	239x239		
Height	424 mm		
Diameter	168 mm		
Hanger Tab	1		
Oil Side Glass	1		
Connector	Internal Diameter	Material	Shape
Suction	1 1/4"-12 UNF 2A	Copper plated steel tube	Rotolock
Discharge	3/4"-16 UNF 2A	Copper plated steel tube	Rotolock

PERFORMANCE

Rated Points

Cooling Capacity	Power Input	COP	Rated Load Amps RLA	Locked Rotor Amps LRA	Maximum Operating Current MOC	Sound Power Level
5013 W	2335 W	2.15 W/W	4.9 A	45 A	6.9 A	71 dBA

Test Condition: EN12900: Te -10°C; Tc 45°C; Rg 20°C. No subcooling; Ta 35°C. Data in accordance to EN12900 guideline polynomial curve.

Performance Curve Data - Frequency: 50Hz

Condensing Temperature 35°C

Evaporating Temperature °C	Cooling Capacity W	Power W	Efficiency W/W
-20	3932	1785	2.2
-15	4779	1874	2.55
-10	5770	1963	2.94
-5	6926	2051	3.38
0	8270	2137	3.87
5	9822	2219	4.43
10	11605	2298	5.05

Test Condition: , Static, Return Gas 20°C, Ambient 35°C , Subcooling OK. Data in accordance to EN12900 guideline polynomial curve.

Condensing Temperature 45°C

Evaporating Temperature °C	Cooling Capacity W	Power W	Efficiency W/W
-20	3439	2127	1.62
-15	4169	2232	1.87
-10	5013	2335	2.15
-5	5992	2432	2.46
0	7128	2526	2.82
5	8442	2613	3.23
10	9956	2693	3.7
15	11691	2765	4.23

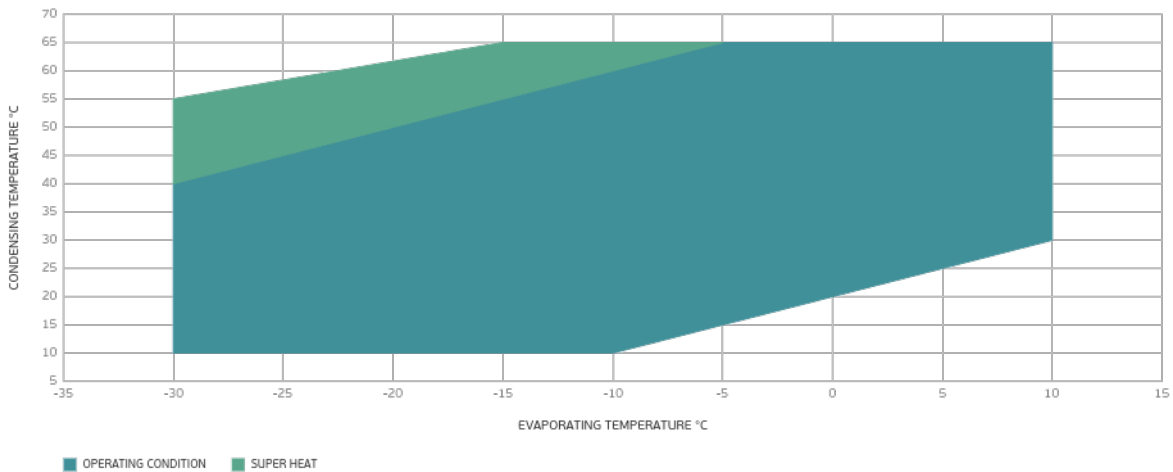
Test Condition: , Static, Return Gas 20°C, Ambient 35°C , Subcooling OK. Data in accordance to EN12900 guideline polynomial curve.

Condensing Temperature 55°C

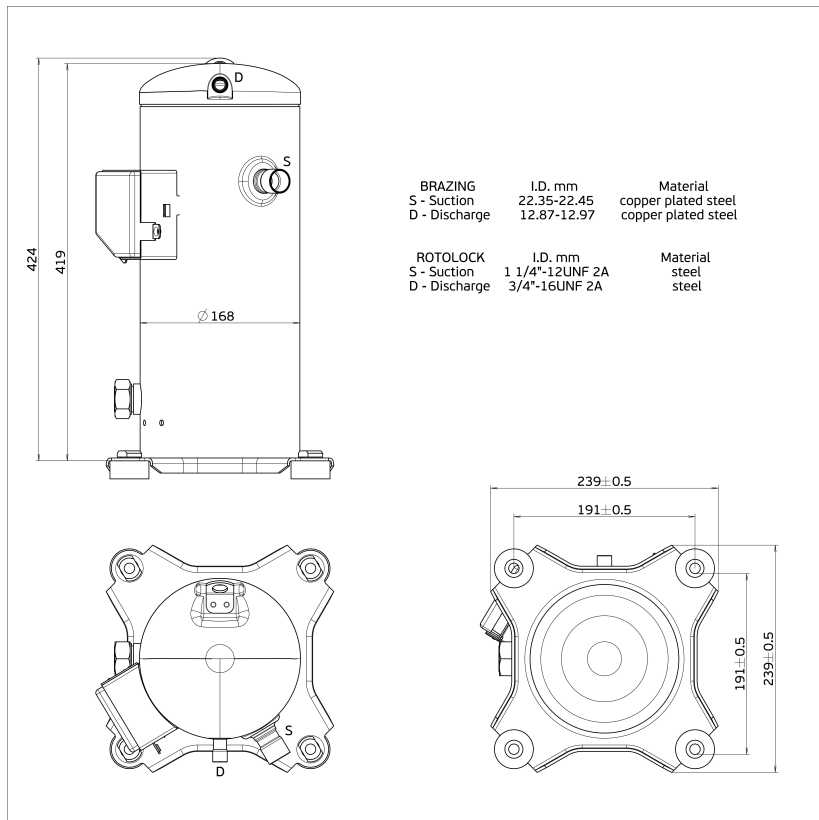
Evaporating Temperature °C	Cooling Capacity W	Power W	Efficiency W/W
-20	2850	2539	1.12
-15	3463	2665	1.3
-10	4160	2784	1.49
-5	4961	2896	1.71
0	5890	3000	1.96
5	6965	3096	2.25
10	8211	3181	2.58
15	9647	3256	2.96

Test Condition: , Static, Return Gas 20°C, Ambient 35°C , Subcooling OK. Data in accordance to EN12900 guideline polynomial curve.

Operating Envelope



External Dimensions



Wiring Diagram

