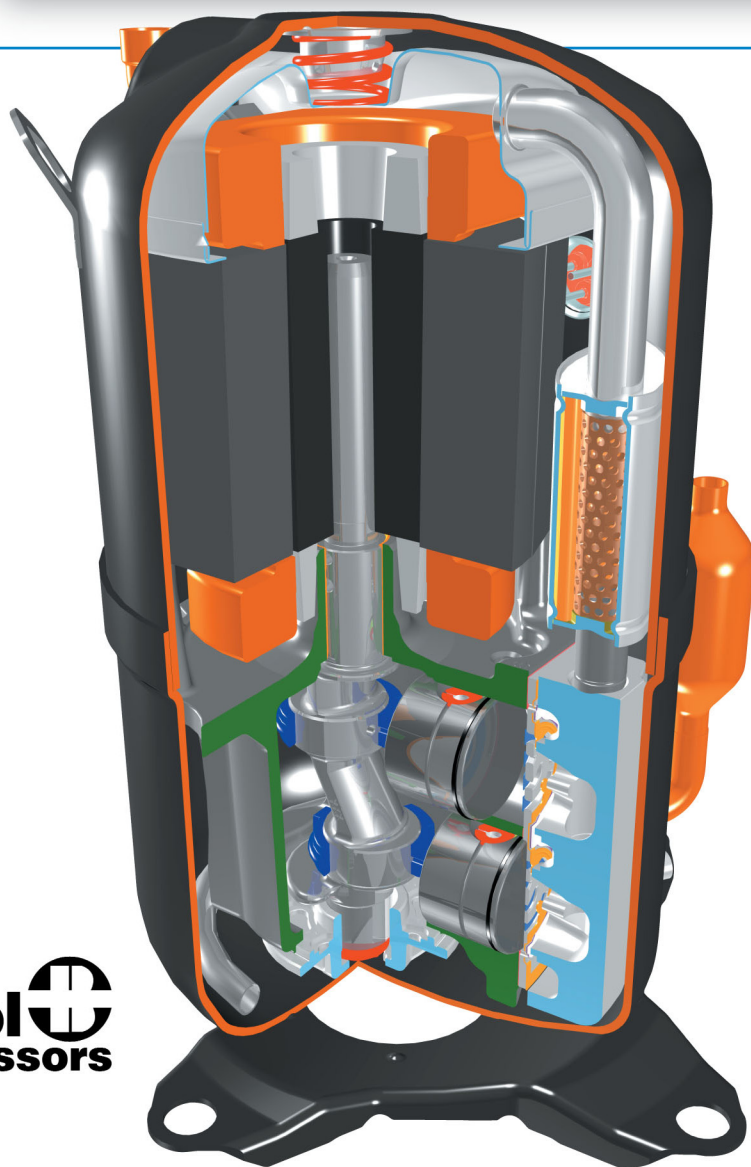




**Bristol
Compressors
International Inc.**



Bristol 
compressors



BENCHMARK
COMPRESSION SOLUTIONS

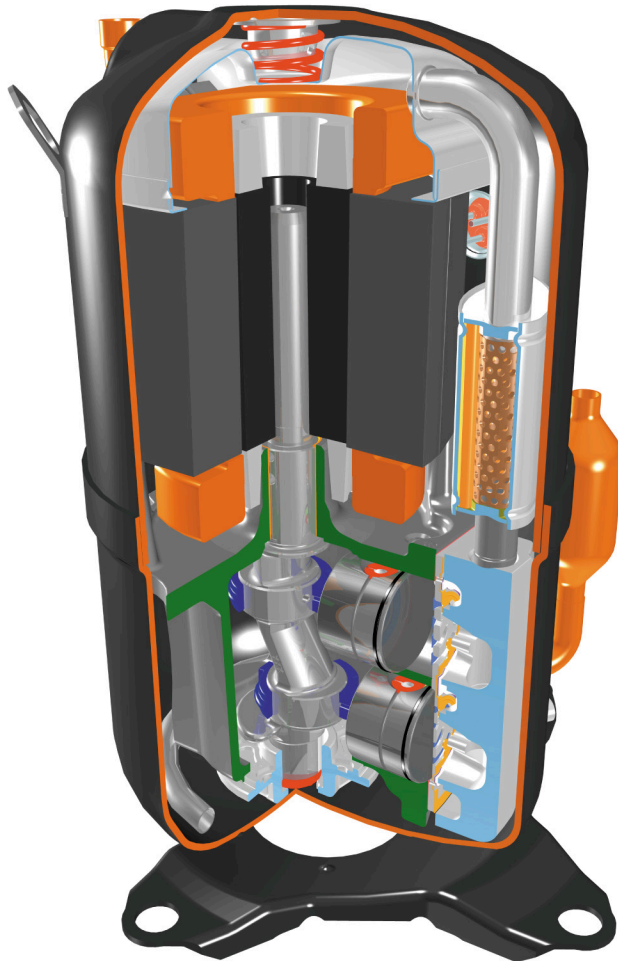
Meeting Today's Compression Challenges with Tomorrow's Compression Technologies.

PRODUCT INFORMATION AND SPECIFICATIONS

Quiet. Efficient. Reliable.



BENCHMARK™
COMPRESSION SOLUTIONS



BENCHMARK RECIP

- Quiet, rigid low-noise cylindrical housing
- Unique suction muffler (patent pending)
- Higher efficiency (19+ EER @ 45/100)
- 1.6 dBA QUIETER than competitor scroll in independent lab testing
- Robust suction and discharge valve plates
- Innovative design (12 patents pending)
- Superior efficiency
- Lower vibration
- Lowest applied cost

Bristol 
compressors

Meeting Today's Compression Challenges with Tomorrow's Compression Technologies.

Table of Contents

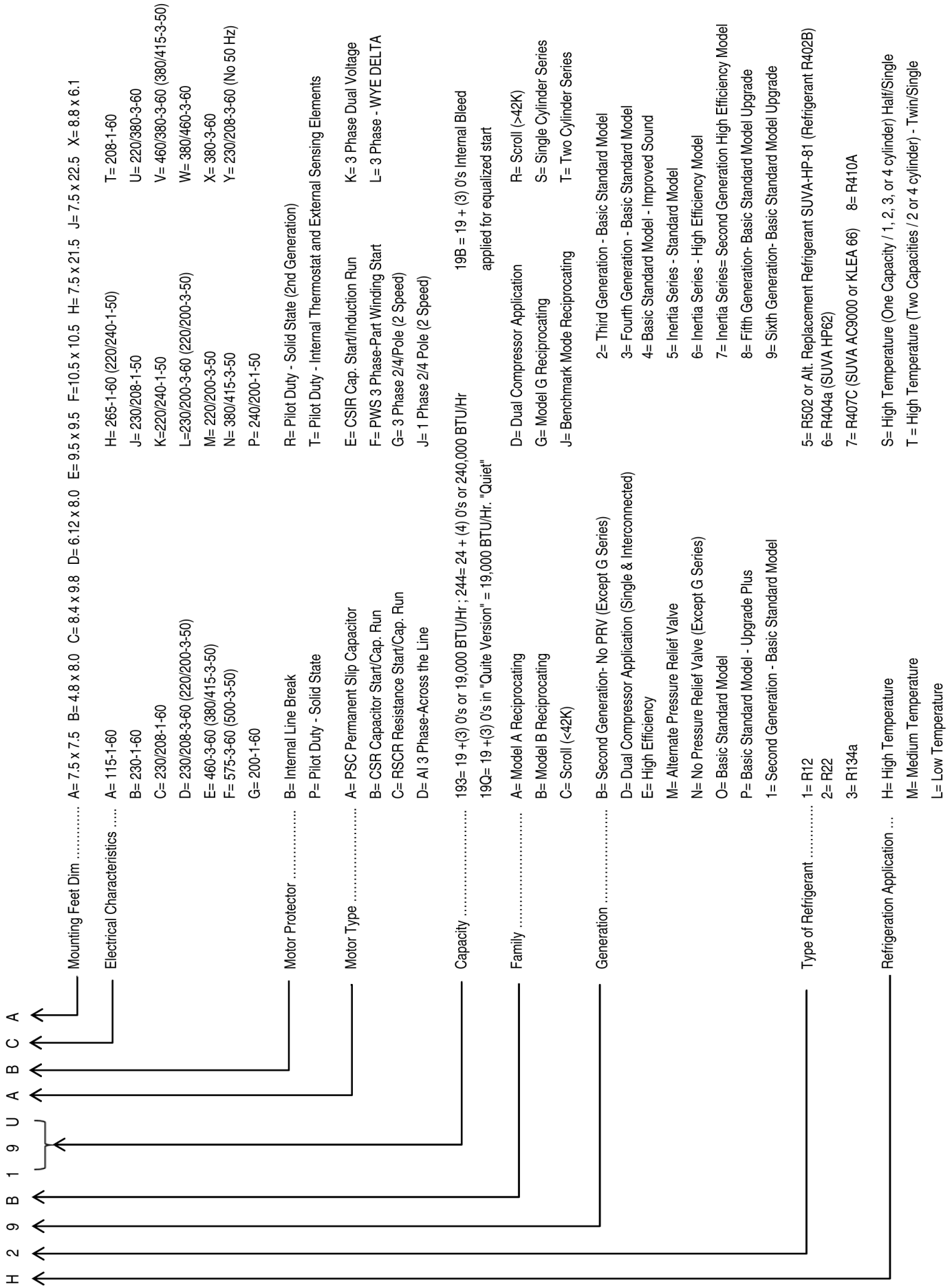
COMPRESSOR MODEL NUMBER SYSTEM - CROSS REFERENCE	3
H82J	4
BENCHMARK H20J	10
BENCHMARK H21J	10
BENCHMARK H71J	12
H29B	14
H2EB	18
H79B	20
H29A	22
H23A	26
H79A	30
H73A	32
A FAMILY DIAGRAMS	34
T89B	36
H25G	38
H75G	40
H2BG	40
H2NG	42
H7BG	48
H7NG	48
L63B	50
L63A	52
M63B	54
M63A	56
D & G FAMILY DIAGRAMS	58
OBSOLETE MODELS	59
H27BQ	60
H26BQ	60
H25BQ	60
H24BQ	64
H23B	66
H23BQ	68
H27AQ	72
H26AQ	74
H25AQ	78
H24A	80
H23AQ	82
H78A	84
H89A	86
H89B	88
H81J	88
B FAMILY DIAGRAMS	90
H28A	92
T27B	94
T26A	94
T28A	94
T29A	94
T89A	96
T81J	96
TS FAMILY DIAGRAMS	96
KICKSTART Aftermarket Start Assist	98

NOTE:

**PLEASE REFER
TO THIS
COMPRESSOR
MODEL NUMBER
SYSTEM
FOR CONVENIENT
CROSS
REFERENCE**



COMPRESSOR MODEL NUMBER SYSTEM



H82J SERIES

Model	@45/130			@45/100			Electrical Data			Displacement	
	Capacity	Motor	EER/COP	Capacity	Motor	EER					
	BTU/H WATTS	Input WATTS	BTU/WH W/W	BTU/H	Input WATTS	BTU/WH	RLA	LRA	MCC	IN ³ /REV	CM ³ /REV
230/208 VOLTS - 1 Phase											
H82J13*ABC	13000	1330	9.7 2.8421	19900	1120	17.8	5.9	33	11	1.26	3.20
H82J15*ABC	14700	14809	9 2.9007	22700	1240	18.2	6.5	43	13	1.363	3.46
H82J18*ABC	18100	1780	10.1 2.9593	26700	1440	18.6	7.4	43	13	1.57	3.99
H82J19*ABC	19000	1870	10.2 2.9886	28000	1510	18.6	8	43	14.5	1.655	4.20
H82J21*ABC	21000	2040	10.3 3.0179	30400	1630	18.6	9.4	54	17.5	1.768	4.49
H82J22*ABC	22300	2170	10.3 3.0179	32300	1740	18.6	9.9	54	16.6	1.862	4.73
H82J24*ABC	24300	2330	10.4 3.0472	34500	1840	18.7	10.6	54	17	1.975	5.02
H82J26*ABC	26200	2490	10.5 3.0765	37100	1970	18.9	11.6	74	20.5	2.097	5.33
H82J27*ABC	27100	2570	10.5 3.0765	38300	2030	18.9	11.8	74	20.5	2.144	5.45
H82J28*ABC	28100	2680	10.5 3.0765	39900	2110	18.9	13	74	23	2.219	5.64
H82J29*ABC	29400	2790	10.5 3.0765	41600	2200	18.9	12.9	74	20	2.313	5.88
H82J30*ABC	30400	2900	10.5 3.0765	43100	2290	18.9	13	88	25	2.369	6.02
H82J32*ABC	31700	3020	10.5 3.0765	45000	2380	18.9	13.6	88	24.5	2.463	6.26
H82J33*ABC	33400	3190	10.4 3.0472	47400	2490	19.1	14.2	84	23	2.614	6.64
H82J35*ABC	34800	3320	10.5 3.0765	49500	2580	19.1	14.5	84	25	2.727	6.93
H82J37*ABC	37600	3600	10.4 3.0472	53400	2810	19	15.7	84	24.5	2.915	7.40
H82J40*ABC	39700	3750	10.6 3.1058	55600	2930	19	17.9	102	29	3.028	7.69
H82J42*ABC	42100	3950	10.7 3.1351	58200	3060	19	18.3	102	27	3.116	7.91
H82J44*ABC	44000	4170	10.6 3.1058	60400	3180	19	18.5	105	31	3.274	8.32
H82J46*ABC	45800	4350	10.5 3.0765	63500	3340	19	20.2	105	33	3.38	8.59

265 VOLTS - 1 Phase											
H82J153ABH	14700	1530	9.6 2.8128	22700	1280	17.7	5.8	46	12.4	1.363	3.46
H82J183ABH	18100	1810	10.0 2.93	26700	1460	18.3	6.7	46	12.6	1.57	3.99
H82J213ABH	21000	2040	10.3 3.0179	30400	1640	18.6	8	46	14	1.768	4.49
H82J223ABH	22300	2170	10.3 3.0179	32300	1740	18.6	8.5	46	14.3	1.862	4.73
H82J283ABH	28100	2680	10.5 3.0765	39900	2110	18.9	10.5	67	18	2.219	5.64
H82J373ABH	37400	3600	10.4 3.0472	53100	2800	19	13.8	81	25.5	2.915	7.40

575 VOLTS - 3 Phase											
H82J213DBF	21100	2050	10.3 3.0179	30500	1640	18.6	2.6	26	6	1.768	4.49
H82J223DBF	22400	2170	10.3 3.0179	32500	1740	18.6	2.7	26	6	1.862	4.73
H82J273DBF	26900	2560	10.5 3.0765	38200	2020	18.9	3	28	6	2.144	5.45
H82J283DBF	28000	2670	10.5 3.0765	38700	2110	18.9	3.1	28	6	2.219	5.64
H82J293DBF	29200	2780	10.5 3.0765	41400	2200	18.9	3.2	28	6	2.313	5.88
H82J323DBF	31600	3010	10.5 3.0765	44800	2370	18.9	3.5	28	6	2.463	6.26
H82J333DBF	32900	3160	10.4 3.0472	46700	2460	19	3.9	36	6.1	2.614	6.64
H82J353DBF	34500	3300	10.5 3.0765	49000	2570	19.1	4	36	7.5	2.727	6.93
H82J373DBF	37400	3600	10.4 3.0472	53100	2800	19	4.4	36	7	2.915	7.40
H82J403DBF	39600	3740	10.6 3.1058	55300	2910	19	4.4	36	5.5	3.028	7.69
H82J423DBF	41300	3890	10.6 3.1058	58100	3060	19	4.6	36	7.3	3.116	7.91
H82J443DBF	43300	4110	10.5 3.0765	60500	3190	19	4.7	36	6.8	3.274	8.32

*Data Subject to Revision

Model	Oil Charge		Weight				ELECTRICAL START COMPONENTS			DIMENSIONS					
							Run Capacitor	Start Capacitor	G.E. Relay	*DIAGRAMS FOUND ON PAGE 9					
	OZ	L	Lbs	Kg	Lbs	Kg	MFD/VOLTS	MFD/VOLTS		C		B		A	
									IN	MM	IN	MM	IN	MM	
H82J13*ABC	30	1	58.5	26.5	62	28	30/370	145-175/370	3ARR3*3T*	14.531	36.909	14.25	36.195	11.735	29.807
H82J15*ABC	30	1	58.5	26.5	62	28	30/370	145-175/330	3ARR3*3T*	14.531	36.909	14.25	36.195	11.735	29.807
H82J18*ABC	30	1	58.5	26.5	62	28	35/370	145-175 / 330	3ARR3*3T*	14.531	36.909	14.25	36.195	11.735	29.807
H82J19*ABC	30	1	58.5	26.5	62	28	35/370	145-175/330	3ARR3*3T*	14.531	36.909	14.25	36.195	11.735	29.807
H82J21*ABC	30	1	61	28	64.5	29	35/370	145-175/330	3ARR3*3N*	15.031	38.179	14.75	37.465	12.235	31.077
H82J22*ABC	30	1	61	28	64.5	29	35/370	145-175 / 330	3ARR3*3N*	15.031	38.179	14.75	37.465	12.235	31.077
H82J24*ABC	40	1.2	61.5	28	65	29	35/370	145-175 / 330	3ARR3*3N*	15.031	38.179	14.75	37.465	12.235	31.077
H82J26*ABC	40	1.2	69	31	72.5	33	40/370	189-227/250	3ARR3*3L*	15.031	38.179	14.75	37.465	12.235	31.077
H82J27*ABC	40	1.2	69	31	72.5	33	40/370	189-227/250	3ARR3*3L*	15.031	38.179	14.75	37.465	12.235	31.077
H82J28*ABC	40	1.2	69	31	72.5	33	40/370	189-227/250	3ARR3*3L*	15.031	38.179	14.75	37.465	12.235	31.077
H82J29*ABC	40	1.2	69	31	72.5	33	40/370	189-227/250	3ARR3*3L*	15.031	38.179	14.75	37.465	12.235	31.077
H82J30*ABC	40	1.2	71	32	74.5	33	45/370	189-227/250	3ARR3*3S*	15.281	38.814	15	38.1	12.485	31.712
H82J32*ABC	40	1.2	71	32	74.5	33	45/370	189-227/250	3ARR3*3S*	15.281	38.814	15	38.1	12.485	31.712
H82J33*ABC	40	1.2	88.5	40	91.5	42	40/440	189-227/250	3ARR3*3S*	15.875	40.323	15.594	39.609	14.063	35.72
H82J35*ABC	40	1.2	88.5	40	91.5	42	40/440	189-227/250	3ARR3*3S*	15.875	40.323	15.594	39.609	14.063	35.72
H82J37*ABC	40	1.2	88.5	40	91.5	42	45/440	189-227/250	3ARR3*3S*	15.875	40.323	15.594	39.609	4.063	35.72
H82J40*ABC	40	1.2	88.5	40	91.5	42	55/370	189-227/250	3ARR3*3S*	15.875	40.323	15.594	39.609	14.063	35.72
H82J42*ABC	40	1.2	88.5	40	91.5	42	60/370	216-259/330	3ARR3*3S*	15.875	40.323	15.594	39.609	14.063	35.72
H82J44*ABC	40	1.2	88.5	40	91.5	42	60/370	216-259/330	3ARR3*3S	15.875	40.323	15.594	39.609	14.063	35.72
H82J46*ABC	40	1.2	88.5	40	91.5	42	60/370	216-259/330	3ARR3*3S*	15.875	40.323	15.594	39.609	14.063	35.72

H82J153ABH	30	1	63.5	29	67	30	30/440	145-175/330	3ARR3*3V*	14.531	36.909	14.25	36.195	11.735	29.807
H82J183ABH	30	1	63.5	29	67	30	30/440	145-175 / 330	3ARR3*3V*	14.531	36.909	14.25	36.195	11.735	29.807
H82J213ABH	30	1	63.5	29	67	30	30/440	145-175/330	3ARR3*3V*	14.531	36.909	14.25	36.195	11.735	29.807
H82J223ABH	30	1	63.5	29	67	30	30/440	145-175/330	3ARR3*3V*	14.531	36.909	14.25	36.195	11.735	29.807
H82J283ABH	40	1.2	69	31	72.5	33	35/440	145-175/330	3ARR3*3R*	15.031	38.179	14.75	37.465	12.235	31.077
H82J373ABH	40	1.2	88.5	40	91.5	42	50/370	161-193/250	3AN	15.875	40.323	15.594	39.609	14.063	35.72

H82J213DBF	30	1	62.5	29	66	29	N/A	N/A	N/A	14.531	36.909	14.25	36.195	11.735	29.807
H82J223DBF	30	1	62.5	29	66	29	N/A	N/A	N/A	14.531	36.909	14.25	36.195	11.735	29.807
H82J273DBF	40	1.2	68.5	31	72	33	N/A	N/A	N/A	15.281	38.814	15	38.1	12.485	31.712
H82J283DBF	40	1.2	68.5	31	72	33	N/A	N/A	N/A	15.281	38.814	15	38.1	12.485	31.712
H82J293DBF	40	1.2	68.5	31	72	33	N/A	N/A	N/A	15.281	38.814	15	38.1	12.485	31.712
H82J323DBF	40	1.2	68.5	31	72	33	N/A	N/A	N/A	15.281	38.814	15	38.1	12.485	31.712
H82J333DBF	40	1.2	85.5	39	88.5	40	N/A	N/A	N/A	15.875	40.323	15.594	36.609	14.063	35.72
H82J353DBF	40	1.2	85.5	39	88.5	40	N/A	N/A	N/A	15.875	40.323	15.594	36.609	14.063	35.72
H82J373DBF	40	1.2	85.5	39	88.5	40	N/A	N/A	N/A	15.875	40.323	15.594	36.609	14.063	35.72
H82J403DBF	40	1.2	85.5	39	88.5	40	N/A	N/A	N/A	15.875	40.323	15.594	36.609	14.063	35.72
H82J423DBF	40	1.2	85.5	39	88.5	40	N/A	N/A	N/A	15.875	40.323	15.594	36.609	14.063	35.72
H82J443DBF	40	1.2	85.5	39	88.5	40	N/A	N/A	N/A	15.875	40.323	15.594	36.609	14.063	35.72

H82J SERIES

Model	@45/130				@45/100			
	Capacity		Motor Input	EER/COP		Capacity	Motor Input	EER
	BTU/H	WATTS		BTU/WH	W/W			
230/208 VOLTS - 1 Phase								
H82J183DBL	15300	4508	1570	9.8	2.8714	22000	1240	17.8
H82J193DBL	16400	4815	1660	9.9	2.9007	23600	1310	18
H82J213DBL	17700	5157	1760	10	2.93	25500	1400	18.3
H82J223DBL	18800	5479	1870	10	2.93	27000	1480	18.2
H82J263DBL	22300	6519	2160	10.3	3.0179	31300	1680	18.7
H82J273DBL	22800	6673	2190	10.4	3.0472	31800	1700	18.7
H82J283DBL	23800	6948	2280	10.4	3.0472	33300	1770	18.8
H82J293DBL	25100	7313	2400	10.4	3.0472	35100	1860	18.8
H82J323DBL	27000	7907	2570	10.5	3.0765	37700	2000	18.9
H82J333DBL	28400	8345	2820	10.1	2.9593	40300	2190	18.4
H82J353DBL	29700	8727	2920	10.2	2.9886	42100	2270	18.5
H82J373DBL	32700	9564	3200	10.2	2.9886	46400	2490	18.6
H82J403DBL	33600	9876	3210	10.5	3.0765	47000	2510	18.8

220/240 VOLTS - 1 Phase								
H82J153ABH	12100	3542	1300	9.3	2.7249	17900	1020	17.6
H82J183ABH	14900	4360	1550	9.6	2.8128	21900	1210	18.1
H82J213ABH	17500	5144	1810	9.7	2.8421	25800	1410	18.3
H82J223ABH	18900	5514	1940	9.7	2.8421	27800	1510	18.3
H82J373ABH	31200	9111	2990	10.4	3.0472	44300	2330	19

H82J SERIES

230 VOLTS - 3 Phase								
H82J193DBL	19000	5563	1880	10.1	2.9593	28200	1520	18.6
H82J213DBL	21100	6187	2050	10.3	3.0179	30500	1640	18.6
H82J223DBL	22400	6549	2170	10.3	3.0179	32500	1740	18.6
H82J263DBL	26100	7630	2480	10.5	3.0765	37000	1960	18.9
H82J273DBL	26900	7876	2560	10.5	3.0765	38200	2020	18.9
H82J283DBL	28000	8214	2670	10.5	3.0765	39700	2110	18.9
H82J293DBL	29200	8553	2780	10.5	3.0765	41400	2200	18.9
H82J323DBL	31600	9260	3010	10.5	3.0765	44800	2370	18.9
H82J333DBL	32900	9629	3160	10.4	3.0472	46700	2460	19
H82J353DBL	34500	10152	3300	10.5	3.0765	49000	2570	19.1
H82J373DBL	37400	10970	3600	10.4	3.0472	53100	2800	19
H82J403DBL	39600	11616	3740	10.6	3.1058	55300	2910	19

*Data Subject to Revision



BENCHMARK
COMPRESSION SOLUTIONS

Electrical Data			Displacement	
RLA	LRA	MCC	IN ³ /REV	CM ³ /REV
6.7	71	13	1.57	3.99
6.7	71	13	1.655	4.20
6.9	71	13	1.768	4.49
7.3	71	15	1.862	4.73
7.5	70	13	2.097	5.33
7.6	70	13.5	2.144	5.45
7.9	70	14.5	2.219	5.64
8.2	70	14.5	2.313	5.88
8.6	70	15	2.463	6.26
11.1	88	17	2.614	6.64
11.2	90	18	2.727	6.93
11.7	90	17.5	2.915	7.40
12	90	19.2	3.028	7.69

6.2	48	12.1	1.363	3.46
7.4	48	12	1.57	3.99
8.6	48	14	1.768	4.49
9.4	48	15	1.862	4.73
15.1	80	23.1	2.915	7.40

6.1	63	13	1.655	4.20
6.6	63	13.5	1.768	4.49
6.9	63	12.7	1.862	4.73
7.4	68	13.5	2.097	5.33
7.7	68	13.5	2.144	5.45
7.8	68	14.2	2.219	5.64
8.3	68	14.5	2.313	5.88
8.8	68	14.5	2.463	6.26
10	88	16.5	2.614	6.64
10.2	88	18.5	2.727	6.93
11	88	17.5	2.915	7.40
11.3	88	19	3.028	7.69

Model	Oil Charge		Weight				ELECTRICAL START COMPONENTS			DIMENSIONS						
							Run Capacitor	Start Capacitor	G.E. Relay	*DIAGRAMS FOUND ON PAGE 9						
	OZ	L	Net Lbs	Net Kg	Ship Lbs	Ship Kg				MFD/VOLTS	MFD/VOLTS	MFD/VOLTS	C		B	
									IN	MM	IN	MM	IN	MM	IN	MM
H82J183DBL	30	1	62.5	29	66	29	N/A	N/A	N/A	14.531	36.909	14.25	36.195	11.735	29.807	
H82J193DBL	30	1	62.5	29	66	29	N/A	N/A	N/A	14.531	36.909	14.25	36.195	11.735	29.807	
H82J213DBL	30	1	62.5	29	66	29	N/A	N/A	N/A	14.531	36.909	14.25	36.195	11.735	29.807	
H82J223DBL	30	1	62.5	29	66	29	N/A	N/A	N/A	14.531	36.909	14.25	36.195	11.735	29.807	
H82J263DBL	40	1.2	68.5	31	72	33	N/A	N/A	N/A	14.531	36.909	14.25	36.195	11.735	29.807	
H82J273DBL	40	1.2	68.5	31	72	33	N/A	N/A	N/A	15.281	38.814	15	38.1	12.485	31.712	
H82J283DBL	40	1.2	68.5	31	72	33	N/A	N/A	N/A	15.281	38.814	15	38.1	12.485	31.712	
H82J293DBL	40	1.2	68.5	31	72	33	N/A	N/A	N/A	15.281	38.814	15	38.1	12.485	31.712	
H82J323DBL	40	1.2	68.5	31	72	33	N/A	N/A	N/A	15.281	38.814	15	38.1	12.485	31.712	
H82J333DBL	40	1.2	85.5	39	88.5	40	N/A	N/A	N/A	15.875	40.323	15.594	36.609	14.063	35.72	
H82J353DBL	40	1.2	81.5	37	84.5	38	N/A	N/A	N/A	15.875	40.323	15.594	36.609	14.063	35.72	
H82J373DBL	40	1.2	85.5	39	88.5	40	N/A	N/A	N/A	15.875	40.323	15.594	36.609	14.063	35.72	
H82J403DBL	40	1.2	85.5	39	88.5	40	N/A	N/A	N/A	15.875	40.323	15.594	36.609	14.063	35.72	

H82J153ABH	30	1	63.5	29	67	30	35/370	145-175/250	3ARR3*3AP*	14.531	36.909	14.25	36.195	11.735	29.807
H82J183ABH	30	1	63.5	29	67	30	35/370	145-175/250	3ARR3*3AP*	14.531	36.909	14.25	36.195	11.735	29.807
H82J213ABH	30	1	63.5	29	67	30	35/370	145-175/250	3ARR3*3AP*	14.531	36.909	14.25	36.195	11.735	29.807
H82J223ABH	30	1	63.5	29	67	30	35/370	145-175/250	3ARR3*3AP*	14.531	36.909	14.25	36.195	11.735	29.807
H82J373ABH	40	1.2	88.5	39	91.5	42	50/370	161-193/250	3AN	15.875	40.323	15.594	36.609	14.063	35.72

H82J193DBL	30	1	62.5	29	66	29	N/A	N/A	N/A	14.531	36.909	14.25	36.195	11.735	29.807
H82J213DBL	30	1	62.5	29	66	29	N/A	N/A	N/A	14.531	36.909	14.25	36.195	11.735	29.807
H82J223DBL	30	1	62.5	29	66	29	N/A	N/A	N/A	14.531	36.909	14.25	36.195	11.735	29.807
H82J263DBL	30	1	68.5	31	72	33	N/A	N/A	N/A	15.281	38.814	15	38.1	12.485	31.712
H82J273DBL	40	1.2	68.5	31	72	33	N/A	N/A	N/A	15.281	38.814	15	38.1	12.485	31.712
H82J283DBL	40	1.2	68.5	31	72	33	N/A	N/A	N/A	15.281	38.814	15	38.1	12.485	31.712
H82J293DBL	40	1.2	68.5	31	72	33	N/A	N/A	N/A	15.281	38.814	15	38.1	12.485	31.712
H82J323DBL	40	1.2	68.5	31	72	33	N/A	N/A	N/A	15.281	38.814	15	38.1	12.485	31.712
H82J333DBL	40	1.2	85.5	39	88.5	40	N/A	N/A	N/A	15.875	40.323	15.594	36.609	14.063	35.72
H82J353DBL	40	1.2	81.5	37	84.5	38	N/A	N/A	N/A	15.875	40.323	15.594	36.609	14.063	35.72
H82J373DBL	40	1.2	85.5	39	88.5	40	N/A	N/A	N/A	15.875	40.323	15.594	36.609	14.063	35.72
H82J403DBL	40	1.2	85.5	39	88.5	40	N/A	N/A	N/A	15.875	40.323	15.594	36.609	14.063	35.72

H82J SERIES



BENCHMARK
COMPRESSION SOLUTIONS

Model	@45/130					@45/100			Electrical Data			Displacement	
	Capacity		Motor Input	EER/COP		Capacity	Motor Input	EER	RLA	LRA	MCC	IN ³ /REV	CM ³ /REV
	BTU/H	WATTS		BTU/WH	W/W								
380/415 VOLTS - 3 Phase													
H82J183DBV	15300	4508	1570	9.8	2.8714	22000	1240	17.8	3	30	7	1.57	3.99
H82J213DBV	17700	5157	1760	10	2.93	25500	1400	18.3	3.3	30	7	1.768	4.49
H82J223DBV	18800	5479	1870	10	2.93	27000	1480	18.2	3.6	30	7.5	1.862	4.73
H82J263DBV	22300	6519	2160	10.3	3.0179	31300	1680	18.7	3.9	35	7	2.097	5.33
H82J273DBV	22800	6673	2190	10.4	3.0472	31800	1700	18.7	3.9	35	7	2.144	5.45
H82J283DBV	23800	6948	2280	10.4	3.0472	33300	1770	18.8	4	35	7	2.219	5.64
H82J293DBV	25100	7313	2400	10.4	3.0472	35100	1860	18.8	4.2	35	7	2.313	5.88
H82J323DBV	27000	7907	2570	10.5	3.0765	37700	2000	18.9	4.5	35	7.5	2.463	6.26
H82J333DBV	28400	8345	2820	10.1	2.9593	40300	2190	18.4	5.1	44	7.1	2.614	6.64
H82J353DBV	29700	8727	2920	10.2	2.9886	42100	2720	18.5	5.3	44	8.1	2.727	6.93
H82J373DBV	32700	9564	3200	10.2	2.9886	46400	2490	18.6	5.8	44	8.5	2.915	7.40
H82J403DBV	33600	9876	3210	10.5	3.0765	47000	2510	18.8	5.7	44	8.8	3.028	7.69

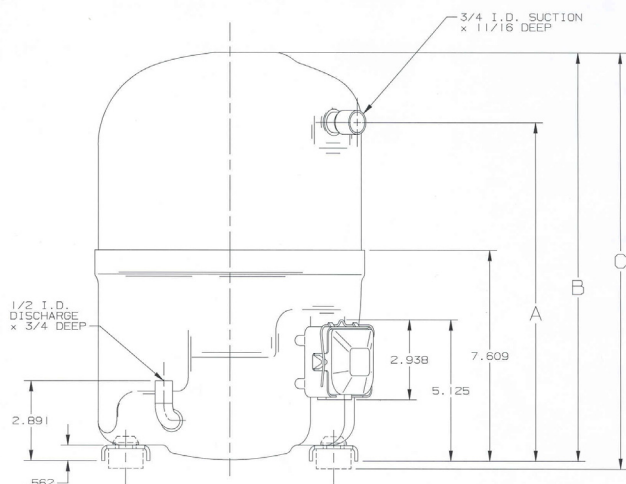
H82J SERIES

460 VOLTS - 3 Phase													
H82J183DBV	18100	5297	1790	10.1	2.9593	26800	1450	18.6	2.9	30	6	1.57	3.99
H82J193DBV	19000	5563	1880	10.1	2.9593	28200	1520	18.6	3.1	30	6	1.655	4.20
H82J213DBV	21100	6187	2050	10.3	3.0179	30500	1640	18.6	3.2	30	6.4	1.768	4.49
H82J223DBV	22400	6549	2170	10.3	3.0179	32500	1740	18.6	3.6	30	6.5	1.862	4.73
H82J263DBV	26100	7630	2480	10.5	3.0765	37000	1960	18.9	3.8	34	7.1	2.097	5.33
H82J273DBV	26900	7876	2560	10.5	3.0765	38200	2020	18.9	3.7	34	7	2.144	5.45
H82J283DBV	28000	8214	2670	10.5	3.0765	39700	2110	18.9	3.9	34	7	2.219	5.64
H82J293DBV	29220	8553	2780	10.5	3.0765	41400	2200	18.9	4.1	34	7.6	2.313	5.88
H82J323DBV	31600	9260	3010	10.5	3.0765	44800	2370	18.9	4.4	34	8	2.463	6.26
H82J333DBV	32900	9629	3160	10.4	3.0472	46700	2460	19	5	44	7.1	2.614	6.64
H82J353DBV	34500	10152	3300	10.5	3.0765	49000	2570	19.1	5.1	44	8.1	2.727	6.93
H82J373DBV	37400	10970	3600	10.4	3.0472	53100	2800	19	5.6	44	8	2.915	7.40
H82J403DBV	39600	11616	3740	10.6	3.1058	55300	2910	19	5.5	44	9	3.028	7.69

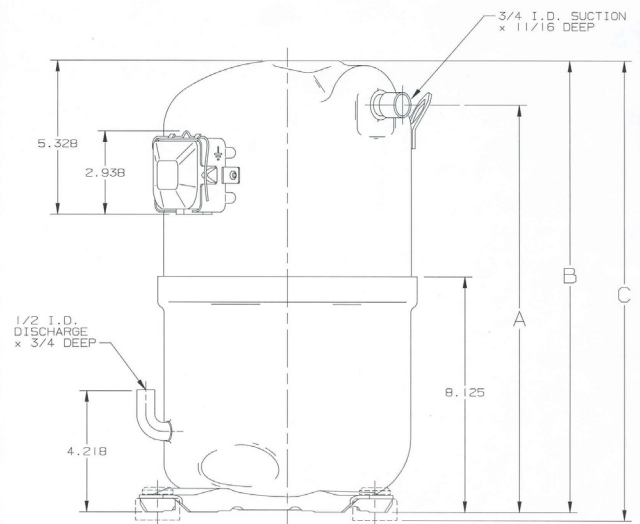
*Data Subject to Revision

Model	Oil Charge		Weight				ELECTRICAL START COMPONENTS			DIMENSIONS					
							Run Capacitor	Start Capacitor	G.E. Relay	*DIAGRAMS FOUND ON PAGE 9					
	OZ	L	Net Lbs	Net Kg	Ship Lbs	Ship Kg				MFD/VOLTS	MFD/VOLTS	MFD/VOLTS	C		B
IN	MM	IN	MM	IN	MM	IN	MM	IN	MM	IN	MM	IN	MM		
H82J183DBV	30	1	62.5	29	66	29	N/A	N/A	N/A	14.531	36.909	14.25	36.195	11.735	29.807
H82J213DBV	30	1	62.5	29	66	29	N/A	N/A	N/A	14.531	36.909	14.25	36.195	11.735	29.807
H82J223DBV	30	1	62.5	29	66	29	N/A	N/A	N/A	14.531	36.909	14.25	36.195	11.735	29.807
H82J263DBV	40	1.2	68.5	31	72	33	N/A	N/A	N/A	15.281	38.814	15	38.1	12.485	31.712
H82J273DBV	40	1.2	68.5	31	72	33	N/A	N/A	N/A	15.281	38.814	15	38.1	12.485	31.712
H82J283DBV	40	1.2	68.5	31	72	33	N/A	N/A	N/A	15.281	38.814	15	38.1	12.485	31.712
H82J293DBV	40	1.2	68.5	31	72	33	N/A	N/A	N/A	15.281	38.814	15	38.1	12.485	31.712
H82J323DBV	40	1.2	68.5	31	72	33	N/A	N/A	N/A	15.281	38.814	15	38.1	12.485	31.712
H82J333DBV	40	1.2	68.5	31	72	33	N/A	N/A	N/A	15.875	40.323	15.594	36.609	14.063	35.72
H82J353DBV	40	1.2	85.5	39	88.5	40	N/A	N/A	N/A	15.875	40.323	15.594	36.609	14.063	35.72
H82J373DBV	40	1.2	85.5	39	88.5	40	N/A	N/A	N/A	15.875	40.323	15.594	36.609	14.063	35.72
H82J403DBV	40	1.2	85.5	39	88.5	40	N/A	N/A	N/A	15.875	40.323	15.594	36.609	14.063	35.72

H82J183DBV	30	1	62.5	29	66	29	N/A	N/A	N/A	14.531	36.909	14.25	36.195	11.735	29.807
H82J193DBV	30	1	62.5	29	66	29	N/A	N/A	N/A	14.531	36.909	14.25	36.195	11.735	29.807
H82J213DBV	30	1	62.5	29	66	29	N/A	N/A	N/A	14.531	36.909	14.25	36.195	11.735	29.807
H82J223DBV	30	1	62.5	29	66	29	N/A	N/A	N/A	14.531	36.909	14.25	36.195	11.735	29.807
H82J263DBV	40	1.2	68.5	31	72	33	N/A	N/A	N/A	15.281	38.814	15	38.1	12.485	31.712
H82J273DBV	40	1.2	68.5	31	72	33	N/A	N/A	N/A	15.281	38.814	15	38.1	12.485	31.712
H82J283DBV	40	1.2	68.5	31	72	33	N/A	N/A	N/A	15.281	38.814	15	38.1	12.485	31.712
H82J293DBV	40	1.2	68.5	31	72	33	N/A	N/A	N/A	15.281	38.814	15	38.1	12.485	31.712
H82J323DBV	40	1.2	68.5	31	72	33	N/A	N/A	N/A	15.281	38.814	15	38.1	12.485	31.712
H82J333DBV	40	1.2	85.5	39	88.5	40	N/A	N/A	N/A	15.875	40.323	15.594	36.609	14.063	35.72
H82J353DBV	40	1.2	85.5	39	88.5	40	N/A	N/A	N/A	15.875	40.323	15.594	36.609	14.063	35.72
H82J373DBV	40	1.2	85.5	39	88.5	40	N/A	N/A	N/A	15.875	40.323	15.594	36.609	14.063	35.72
H82J403DBV	40	1.2	85.5	39	88.5	40	N/A	N/A	N/A	15.875	40.323	15.594	36.609	14.063	35.72



H82J 13K-32K



H82J 33K-50K

BENCHMARK H20J SERIES

Model	@45/130					@45/100		
	Capacity		Motor Input	EER/COP		Capacity	Motor Input	EER
	BTU/H	WATTS		BTU/WH	W/W			
208/230 VOLTS - 1 Phase								
H20J273ABC	26770	7844	2400	11.2	3.3	35630	1910	18.7
H20J293ABC	29090	8523	2630	11.1	3.2	38700	2080	18.6
H20J313ABC	30250	8863	2670	11.3	3.3	40350	2110	19.1
H20J323ABC	32300	9464	2820	11.5	3.4	42700	2220	19.2
H20J353ABC	34450	10094	3000	11.5	3.4	45350	2390	19.0
H20J383ABC	37850	11090	3350	11.3	3.3	49000	2590	18.9
H20J403ABC	40700	11925	3600	11.3	3.3	52250	2850	18.3
H20J423ABC	41800	12247	3710	11.3	3.3	53900	2930	18.4
H20J433ABC	42630	12491	3810	11.2	3.3	54880	3010	18.2
H20J443ABC	44220	12956	3960	11.2	3.3	56300	3100	18.2



BENCHMARK
COMPRESSION SOLUTIONS

Electrical Data			Displacement	
RLA	LRA	MCC	IN ³ /REV	CM ³ /REV
11.0	68	17.5	2.92	47.85
11.5	68	17.5	3.13	51.29
11.9	78	20.0	3.42	56.04
12.7	78	22.5	3.38	55.39
13.1	78	21.0	3.61	59.16
14.9	86	24.0	4.02	65.88
17.1	102	28.0	4.15	68.01
17.0	102	27.0	4.23	69.32
17.5	102	27.0	4.31	70.63
17.8	102	28.0	4.42	72.43

BENCHMARK H21J SERIES

208/230 VOLTS - 1 Phase								
H21J14*ABC	13200	3867	1260	10.5	3.1	19200	1060	18.2
H21J15*ABC	14500	4248	1380	10.5	3.1	20700	1140	18.1
H21J17*ABC	18300	5362	1660	11.1	3.3	24700	1330	18.7
H21J19*ABC	19000	5567	1750	10.9	3.2	26100	1400	18.6
H21J20*ABC	20190	5915	1850	10.9	3.2	27310	1460	18.7
H21J24*ABC	24030	7041	2178	11.0	3.2	32450	1693	19.2
H21J25*ABC	24580	7202	2220	11.1	3.3	33400	1760	19.0
H21J27*ABC	27680	8110	2425	11.4	3.3	36440	1910	19.1
H21J29*ABC	28390	8318	2490	11.4	3.3	37980	1980	19.2
H21J30*ABC	29720	8708	2600	11.4	3.3	39490	2050	19.3
H21J32*ABC	30940	9065	2720	11.4	3.3	41165	2125	19.4
H21J34*ABC	34170	10011	2980	11.5	3.4	44640	2340	19.1
H21J36*ABC	35950	10533	3150	11.4	3.3	46660	2420	19.3
H21J38*ABC	39030	11435	3370	11.6	3.4	49730	2575	19.3
H21J40*ABC	41400	12130	3640	11.4	3.3	52410	2780	18.9
H21J43*ABC	43117	12633	3811	11.3	3.3	55295	2950	18.7

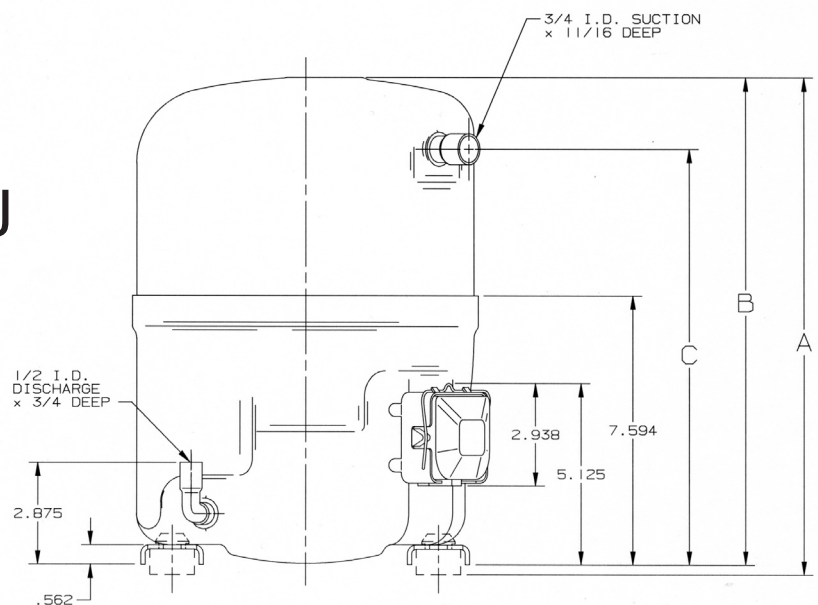
5.4	36.0	10.0	1.66	27.21
6.0	36.0	10.5	1.79	29.27
7.0	40.5	12.5	2.04	33.44
8.0	53.5	15.5	2.14	35.06
8.0	53.5	16.0	2.22	36.45
10.1	61.0	16.5	2.66	43.66
10.7	61.0	17.0	2.77	45.32
11.1	78.0	19.5	2.92	47.78
11.6	78.0	20.0	3.03	49.63
11.8	78.0	21.0	3.13	51.28
12.3	78.0	21.0	3.24	53.14
13.2	78.0	23.0	3.67	60.15
14.1	78.0	23.0	3.67	60.15
15.4	86.0	26.5	3.88	63.59
17.4	102.0	28.0	4.02	65.89
17.5	102.0	29.0	4.31	70.64

*Data Subject to Revision

Model	Oil Charge		Weight				ELECTRICAL START COMPONENTS			DIMENSIONS					
							Run Capacitor	Start Capacitor	G.E. Relay	*DIAGRAMS FOUND ON PAGE 11					
	OZ	L	Lbs	Net Kg	Ship Lbs	Kg	MFD/VOLTS	MFD/VOLTS		A		B		C	
H20J273ABC	40	1.2	74.0	33.6	77.0	34.9	30/440	189-227/250	3ARR3*10U*	13.2	335.8	14.8	374.7	15.0	382.2
H20J293ABC	40	1.2	74.0	33.6	77.0	34.9	35/440	189-227/250	3ARR3*10U*	13.2	335.8	14.8	374.7	15.0	382.2
H20J313ABC	40	1.2	79.0	35.8	82.0	37.2	40/370	189-227/330	3ARR3*3S*	13.7	348.5	15.3	387.4	15.5	394.5
H20J323ABC	40	1.2	79.0	35.8	82.0	37.2	40/370	189-227/330	3ARR3*3S*	13.7	348.5	15.3	387.4	15.5	394.5
H20J353ABC	40	1.2	79.0	35.8	82.0	37.2	45/370	189-227/330	3ARR3*3S*	13.7	348.5	15.3	387.4	15.5	394.5
H20J383ABC	40	1.2	81.0	36.7	84.0	38.1	45/370	189-227/250	3ARR3*3S*	15.2	385.4	15.5	393.7	15.8	400.8
H20J403ABC	40	1.2	81.0	36.7	84.0	38.1	50/370	216-259/330	3ARR3*3S*	15.2	385.4	15.5	393.7	15.8	400.8
H20J423ABC	40	1.2	81.0	36.7	84.0	38.1	65/370	216-259/330	3ARR3*3S*	15.2	385.4	15.5	393.7	15.8	400.8
H20J433ABC	40	1.2	81.0	36.7	84.0	38.1	65/371	216-259/331	3ARR3*3S*	15.2	385.4	15.5	393.7	15.8	400.8
H20J443ABC	40	1.2	81.0	36.7	84.0	38.1	65/372	189-227/250	3ARR3*3S*	15.2	385.4	15.5	393.7	15.8	400.8

H21J14*ABC	30	1	66.0	29.9	69.5	31.5	35/370	145-175/250	GE3ARR3*3P*	12.36	313.92	13.89	352.81	14.19	360.38
H21J15*ABC	30	1	66.0	29.9	69.5	31.5	35/370	145-175/250	GE3ARR3*3P*	12.36	313.92	13.89	352.81	14.19	360.38
H21J17*ABC	30	1	66.0	29.9	69.5	31.5	35/370	145-175/250	GE3ARR*4A*	12.38	314.33	13.89	352.81	14.19	360.38
H21J19*ABC	30	1	68.0	30.8	71.5	32.4	35/370	145-175/250	GE3ARR3*3N*	12.53	318.14	14.14	359.16	14.44	366.73
H21J20*ABC	30	1	68.0	30.8	71.5	32.4	35/370	145-175/250	GE3ARR3*3N*	12.53	318.14	14.14	359.16	14.44	366.73
H21J24*ABC	45	1	79.0	35.0	82.0	37.2	30/370	145-175/250	GE3ARR3*3S*	13.72	348.46	15.25	387.35	15.53	394.46
H21J25*ABC	45	1	79.0	35.0	82.0	37.2	30/370	145-175/250	GE3ARR3*3S*	13.72	348.46	15.25	387.35	15.53	394.46
H21J27*ABC	45	1	79.0	35.0	82.0	37.2	40/370	189-227/330	GE3ARR3*3S*	13.97	354.81	15.50	393.70	15.78	400.81
H21J29*ABC	45	1	79.0	35.0	82.0	37.2	40/370	189-227/330	GE3ARR3*3S*	13.97	354.81	15.50	393.70	15.78	400.81
H21J30*ABC	45	1	79.0	35.0	82.0	37.2	40/370	189-227/330	GE3ARR3*3S*	13.97	354.81	15.50	393.70	15.78	400.81
H21J32*ABC	45	1	79.0	35.0	82.0	37.2	40/370	189-227/330	GE3ARR3*3S*	13.97	354.81	15.50	393.70	15.78	400.81
H21J34*ABC	45	1	79.0	35.0	82.0	37.2	45/370	189-227/330	GE3ARR3*3S*	13.97	354.81	15.50	393.70	15.78	400.81
H21J36*ABC	45	1	79.0	35.0	82.0	37.2	45/370	189-227/330	GE3ARR3*3S*	13.97	354.81	15.50	393.70	15.78	400.81
H21J38*ABC	45	1	81.0	36.7	84.0	38.1	45/370	189-227/250	GE3ARR3*3S*	14.22	361.16	15.75	400.05	16.03	407.16
H21J40*ABC	45	1	81.0	36.7	84.0	38.1	50/370	216-259/330	GE3ARR3*3S*	14.22	361.16	15.75	400.05	16.03	407.16
H21J43*ABC	45	1	81.0	36.7	84.0	38.1	65/370	216-259/330	GE3ARR3*3S*	14.22	361.16	15.75	400.05	16.03	407.16

H20J, H21J, H71J



BENCHMARK H21J SERIES

Model	@45/130					@45/100			Electrical Data			Displacement	
	Capacity		Motor Input	EER/COP		Capacity	Motor Input	EER	RLA	LRA	MCC	IN ³ /REV	CM ³ /REV
	BTU/H	WATTS		BTU/WH	W/W				BTU/H	WATTS	BTU/WH		
208/230 VOLTS - 3 Phase													
H21J253DBL	25400	7442	2280	11.1	3.3	33900	1820	18.7	6.8	63.0	12.3	2.77	45.32
H21J303DBL	29700	8702	2600	11.4	3.3	33950	2050	19.2	8.0	72.0	16.0	3.13	51.28
H21J323DBL	30900	9053	2660	11.6	3.4	40900	2100	19.5	8.3	72.0	16.2	3.24	53.14
H21J263DBL	35600	10430	3080	11.6	3.4	46600	2420	19.2	9.2	71.0	15.0	3.67	60.13
575 VOLTS - 3 Phase													
H21J303DBF	29700	8702	2620	11.4	3.3	39600	1820	19.2	3.7	36.0	6.6	3.13	51.28
H21J363DBF	35900	10518	3140	11.4	3.3	46500	2100	19.1	4.1	36.0	6.9	3.67	60.13
460/380 VOLTS - 3 Phase													
H21J253DBV	25400	7442	2280	11.1	3.3	33900	1820	18.7	3.5	30.0	6.1	2.77	45.32
H21J323DBV	30900	9053	2660	11.6	3.4	40900	2100	19.5	4.6	45.0	9.0	3.24	53.14
H21J363DBV	36000	10548	3140	11.4	3.3	46500	2410	19.3	5.1	45.0	8.0	3.67	60.13
H21J383DBV	38420	11257	3292	11.7	3.4	48952	2540	19.3	5.5	42.0	8.4	3.88	63.59



BENCHMARK H21J SERIES

230/200 VOLTS - 3 Phase													
H21J253DBL	21400	6270	1930	11.1	3.3	28700	1530	18.7	7.5	64.0	12.2	2.77	45.32
H21J303DBL	25300	7413	2270	11.1	3.3	33100	1760	18.8	8.8	76.0	14.0	3.13	51.28
H21J363DBL	31000	9083	2670	11.6	3.4	39500	2020	19.6	9.5	76.0	16.0	3.67	60.13
380/415 VOLTS - 3 Phase													
H21J253DBV	21400	6270	1930	11.1	3.4	28700	1530	18.7	3.5	30.0	6.1	2.77	45.32
H21J323DBV	26700	7823	2310	11.5	3.5	34100	1750	19.5	4.7	45.0	8.0	3.24	53.14
H21J363DBV	30600	8965	2690	11.4	3.3	39000	2050	19.0	4.7	45.0	7.1	3.67	60.13

BENCHMARK H71J SERIES

460/380 VOLTS - 3 Phase													
H71J433DBV	39200	11485	3880	10.1	3.0	49900	3300	15.1	5.7	42.0	9.0	4.31	70.64

BENCHMARK H71J SERIES

240/220 VOLTS - 1 Phase													
H71J193ABH	13800	4043	1420	9.7	2.8	18500	1310	18.8	5.0	38.0	11.0	2.14	35.06
380/415 VOLTS - 3 Phase													
H71J233DBV	19800	5801	1820	10.9	3.2	23600	1570	20.2	3.3	30.0	5.6	2.61	42.84
H71J253DBV	21100	6182	1940	10.9	3.2	25000	1620	15.4	3.5	30.0	6.1	2.77	45.32
H71J323DBV	24500	7178	2300	10.6	3.1	37600	1800	20.9	5.2	45.0	9.0	3.24	53.14
H71J363DBV	27600	8086	2600	10.6	3.1	36200	2340	15.5	4.7	45.0	7.1	3.669	60.13
H71J383DBV	29800	8731	2780	10.7	3.1	38400	2460	15.6	5.0	42.0	8.0	3.88	63.64
H71J433DBV	33100	9698	3130	10.6	3.1	42300	2750	15.4	6.0	42.0	8.5	4.31	70.64
230/200 VOLTS - 3 Phase													
H71J383DBL	33100	9698	2920	11.3	3.3	38400	2470	15.5	11.0	90.0	18.0	3.883	63.64

*Data Subject to Revision

60 HZ

Model	Oil Charge		Weight				ELECTRICAL START COMPONENTS			DIMENSIONS					
							Run Capacitor	Start Capacitor	G.E. Relay	*DIAGRAMS FOUND ON PAGES 11					
	OZ	L	Net Lbs	Net Kg	Ship Lbs	Ship Kg	MFD/VOLTS	MFD/VOLTS		A		B		C	
									IN	MM	IN	MM	IN	MM	
H21J253DBL	45	1.0	71.0	32.3	74.5	33.8	-Not Req'd	-Not Req'd	-Not Req'd	13.72	348.46	15.25	387.35	15.53	394.46
H21J303DBL	45	1.0	77.0	35.0	80.0	36.4	-Not Req'd	-Not Req'd	-Not Req'd	13.97	354.81	15.50	393.70	15.78	400.81
H21J323DBL	45	1.0	77.0	35.0	80.0	36.4	-Not Req'd	-Not Req'd	-Not Req'd	13.97	354.81	15.50	393.70	15.78	400.81
H21J263DBL	45	1.0	73.0	33.2	77.0	35.0	-Not Req'd	-Not Req'd	-Not Req'd	13.97	354.81	15.50	393.70	15.78	400.81
H21J303DBF	45	1.0	75.5	34.3	78.5	35.7	-Not Req'd	-Not Req'd	-Not Req'd	13.97	354.81	15.50	393.70	15.78	400.81
H21J363DBF	45	1.0	75.5	34.3	78.5	35.7	-Not Req'd	-Not Req'd	-Not Req'd	13.97	354.81	15.50	393.70	15.78	400.81
H21J253DBV	45	1.0	71.0	32.3	74.5	33.8	-Not Req'd	-Not Req'd	-Not Req'd	13.72	348.46	15.25	387.35	15.53	394.46
H21J323DBV	45	1.0	77.0	35.0	80.0	36.4	-Not Req'd	-Not Req'd	-Not Req'd	13.97	354.81	15.50	393.70	15.78	400.81
H21J363DBV	45	1.0	75.0	34.1	78.0	35.5	-Not Req'd	-Not Req'd	-Not Req'd	13.97	354.81	15.50	393.70	15.78	400.81
H21J383DBV	45	1.0	79.5	36.1	82.5	37.5	-Not Req'd	-Not Req'd	-Not Req'd	14.22	361.16	15.75	400.05	16.03	407.16

50 HZ

H21J253DBL	45	1.0	71.0	32.3	74.5	33.8	-Not Req'd	-Not Req'd	-Not Req'd	13.72	348.46	15.25	387.35	15.53	394.46
H21J303DBL	45	1.0	77.0	35.0	80.0	36.4	-Not Req'd	-Not Req'd	-Not Req'd	13.97	354.81	15.50	393.70	15.78	400.81
H21J363DBL	45	1.0	73.0	33.2	77.0	35.0	-Not Req'd	-Not Req'd	-Not Req'd	13.97	354.81	15.50	393.70	15.78	400.81
H21J253DBV	45	1.0	71.0	32.3	74.5	33.8	-Not Req'd	-Not Req'd	-Not Req'd	13.72	348.46	15.25	387.35	15.53	394.46
H21J323DBV	45	1.0	77.0	35.0	80.0	36.4	-Not Req'd	-Not Req'd	-Not Req'd	13.97	354.81	15.50	393.70	15.78	400.81
H21J363DBV	45	1.0	75.0	34.1	78.0	35.5	-Not Req'd	-Not Req'd	-Not Req'd	13.97	354.81	15.50	393.70	15.78	400.81

60 HZ

H71J433DBV	45	1.0	79.5	36.1	83.0	37.7	N/A	N/A	N/A	15.42	391.69	15.50	393.70	16.03	407.19
------------	----	-----	------	------	------	------	-----	-----	-----	-------	--------	-------	--------	-------	--------

50 HZ

H71J193ABH	30	1	68.0	30.8	71.5	32.4	30/370	145-175/330	GE3ARR3*24AV*	12.53	318.14	14.14	359.16	14.44	366.73
H71J233DBV	45	1	74.0	33.6	77.0	34.9	NA	NA	NA	14.22	361.16	15.75	400.05	16.03	407.19
H71J253DBV	45	1	74.5	33.8	78.0	35.4	NA	NA	NA	14.22	361.16	15.75	400.05	16.03	407.19
H71J323DBV	45	1	79.0	35.8	82.0	37.2	NA	NA	NA	15.17	385.32	15.50	393.70	16.39	416.31
H71J363DBV	45	1	79.0	35.8	82.0	37.2	NA	NA	NA	15.17	385.32	15.50	393.70	16.39	416.31
H71J383DBV	45	1	79.5	36.1	83.0	37.7	NA	NA	NA	15.42	391.69	15.50	393.70	16.03	407.19
H71J433DBV	45	1	79.5	36.1	82.5	37.4	NA	NA	NA	15.42	391.69	15.50	393.70	16.03	407.19
H71J383DBL	45	1	79.5	36.1	83.0	37.7	NA	NA	NA	15.42	391.69	15.50	393.70	16.03	407.19

H29B SERIES



Model	@45/130					@45/100		
	Capacity		Motor Input	EER/COP		Capacity	Motor Input	EER
	BTU/H	WATTS		BTU/WH	W/W			

Electrical Data			Displacement	
RLA	LRA	MCC	IN ³ /REV	CM ³ /REV

230/208 VOLTS - 1 Phase

H29B15UABC	15700	4607	1485	10.6	3.1	21524	1224	17.6
H29B16UABC	16500	4841	1540	10.7	3.1	22480	1274	17.6
H29B17UABC	17200	5047	1605	10.7	3.1	23585	1341	17.6
H29B18UABC	18100	5311	1680	10.8	3.2	24429	1379	17.7
H29B20UABC	20400	5986	1915	10.7	3.1	26916	1576	17.1
H29B22UABC	22500	6602	2105	10.7	3.1	29872	1724	17.3
H29B24UABC	24250	7115	2215	10.9	3.2	31586	1757	18.0
H29B26UABC	26470	7767	2425	10.9	3.2	34033	1909	17.8
H29B28UABC	28215	8279	2600	10.9	3.2	36230	2054	17.6
H29B30UABC	29840	8756	2725	11.0	3.2	38328	2163	17.7
H29B32UABC	31800	9331	2920	10.9	3.2	41138	2319	17.7
H29B33UABC	32910	9656	3015	10.9	3.2	42488	2389	17.8
H29B35UABC	35330	10367	3230	10.9	3.2	44728	2554	17.5

6.7	48	12.0	1.95	31.88
6.8	48	14.0	1.99	32.60
7.2	48	14.0	2.04	33.42
7.4	48	14.0	2.14	35.06
8.6	60	17.0	2.24	36.69
9.6	60	18.0	2.59	42.36
9.6	61	19.0	2.70	44.22
10.9	68	20.0	2.76	45.21
11.8	73	22.0	3.06	50.06
12.4	82	23.0	3.08	50.46
13.0	82	23.5	3.36	55.04
13.5	82	25.0	3.50	57.34
14.4	86	26.0	3.70	60.61

265 VOLTS - 1 Phase

H29B17UABH	17400	5106	1630	10.7	3.1	23379	1367	17.1
H29B18UABH	18000	5282	1680	10.7	3.1	24267	1386	17.5
H29B20UABH	20800	6103	1920	10.8	3.2	27414	1573	17.4
H29B22UABH	23000	6749	2110	10.9	3.2	29864	1728	17.3
H29B28UABH	28600	8392	2590	11.0	3.2	37250	2130	17.5
H29B30UABH	30000	8803	2780	10.8	3.2	39100	2300	17.0
H29B35UABH	35500	10417	3330	10.7	3.1	44900	2760	16.3

6.2	44	12.0	1.97	32.27
6.5	44	11.5	2.03	33.25
7.2	58	15.0	2.24	36.69
8.2	58	15.0	2.44	39.97
10.4	72	18.5	3.06	50.06
11.5	80	21.5	3.20	52.37
13.0	90	24.0	3.70	60.61

230/200 VOLTS - 3 Phase

H29B22UDBL	22800	6690	2040	11.2	3.3	30925	1750	17.7
H29B24UDBL	23800	6983	2210	10.8	3.2	31392	1749	17.9
H29B26UDBL	26200	7688	2430	10.8	3.2	34122	1989	17.2
H29B28UDBL	28000	8216	2580	10.9	3.2	35788	1859	19.3
H29B30UDBL	30100	8832	2750	10.9	3.2	38844	2183	17.8
H29B32UDBL	32200	9448	2950	10.9	3.2	41285	2345	17.6
H29B33UDBL	33000	9683	3091	10.7	3.1	39456	2712	15.0
H29B35UDBL	35100	10299	3250	10.8	3.2	42677	2581	16.5

6.5	58	12.0	2.59	42.36
6.5	58	13.0	2.56	41.93
7.8	68	13.5	2.76	45.21
7.8	68	13.0	2.90	47.50
8.5	78	15.5	3.08	50.45
9.0	78	16.0	3.26	53.40
9.5	78	16.5	3.50	57.30
9.6	78	16.0	3.52	57.66

460/380 VOLTS - 3 Phase

H29B22UDBV	22700	6661	2100	10.8	3.2	29686	1731	17.1
H29B24UDBV	23700	6954	2190	10.8	3.2	31353	1760	17.8
H29B26UDBV	26300	7717	2440	10.8	3.2	33893	1950	17.4
H29B28UDBV	27800	8157	2570	10.8	3.2	36103	2038	17.7
H29B30UDBV	29700	8715	2740	10.8	3.2	38529	2198	17.5
H29B32UDBV	31900	9360	2964	10.8	3.2	41590	2359	17.6
H29B33UDBV	32800	9624	3040	10.8	3.2	41353	2435	17.0
H29B35UDBV	34900	10240	3260	10.7	3.1	44242	2606	17.0

3.2	30	5.7	2.44	39.97
3.4	30	6.7	2.44	39.97
3.9	36	7.4	2.76	45.21
4.1	36	7.4	2.90	47.50
4.1	40	8.0	3.08	50.45
4.5	40	8.1	3.26	53.40
4.6	40	8.1	3.34	54.71
4.9	40	8.6	3.52	57.66

575 VOLTS - 3 Phase

H29B33UDBF	33100	9713	3090	10.7	3.2	43000	2490	17.3
H29B35UDBF	34200	10035	3230	10.6	3.1	42768	2568	16.7

3.7	32	6.4	3.50	57.30
3.9	32	6.3	3.52	57.66

*Data Subject to Revision

Model	Oil Charge		Weight				ELECTRICAL START COMPONENTS			DIMENSIONS					
							Run Capacitor	Start Capacitor	G.E. Relay	*DIAGRAMS FOUND ON PAGE 16					
	OZ	L	Net Lbs	Net Kg	Ship Lbs	Ship Kg	MFD/VOLTS	MFD/VOLTS		A		B		C	
									IN	MM	IN	MM	IN	MM	
H29B15UABC	35	1.0	59.5	27.1	63.0	28.7	30/370	161-193/250	3ARR3*3V*	11.2	285.0	13.2	336.3	13.5	343.4
H29B16UABC	35	1.0	59.5	27.1	63.0	28.7	30/370	161-193/250	3ARR3*3V*	11.2	285.0	13.2	336.3	13.5	343.4
H29B17UABC	35	1.0	59.5	27.1	63.0	28.7	30/370	161-193/250	3ARR3*3V*	11.2	285.0	13.2	336.3	13.5	343.4
H29B18UABC	35	1.0	59.5	27.1	63.0	28.7	30/370	161-193/250	3ARR3*3V*	11.2	285.0	13.2	336.3	13.5	343.4
H29B20UABC	35	1.0	61.0	27.8	64.5	29.3	30/370	145-175/250	3ARR3*3U*	11.2	285.0	13.2	336.3	13.5	343.4
H29B22UABC	35	1.0	61.0	27.8	64.5	29.3	30/370	145-175/250	3ARR3*3U*	11.2	285.0	13.2	336.3	13.5	343.4
H29B24UABC	35	1.0	63.5	28.9	67.0	30.5	35/370	145-175/250	3ARR3*3T*	11.7	297.7	13.8	349.0	14.0	356.1
H29B26UABC	35	1.0	63.5	28.9	67.0	30.5	35/370	145-175/250	3ARR3*3T*	11.7	297.7	13.8	349.0	14.0	356.1
H29B28UABC	35	1.0	63.5	28.9	67.0	30.5	35/370	161-193/250	3ARR3*3T*	11.7	297.7	13.8	349.0	14.0	356.1
H29B30UABC	35	1.0	68.5	31.2	72.0	32.8	40/370	145-175/250	3ARR3*3P*	12.2	310.4	14.2	361.7	14.5	368.8
H29B32UABC	35	1.0	68.5	31.2	72.0	32.8	40/370	145-175/250	3ARR3*3P*	12.2	310.4	14.2	361.7	14.5	368.8
H29B33UABC	35	1.0	68.5	31.2	72.0	32.8	45/370	243-292/250	3ARR3*3V*	12.2	310.4	14.2	361.7	14.5	368.8
H29B35UABC	40	1.2	70.0	31.8	73.5	33.4	45/370	145-175/250	3ARR3*3N*	12.2	310.4	14.2	361.7	14.5	368.8
H29B17UABH	35	1.0	61.5	28.0	64.0	29.1	25/440	88-108/330	3ARR3*10U*	11.2	285.0	13.2	336.3	13.5	343.4
H29B18UABH	35	1.0	61.5	28.0	64.0	29.1	25/440	88-108/330	3ARR3*10U	11.2	285.0	13.2	336.3	13.5	343.4
H29B20UABH	35	1.0	65.0	29.5	68.5	31.1	30/440	88-108/330	3ARR3*10S*	11.7	297.7	13.8	349.0	14.0	356.1
H29B22UABH	35	1.0	65.0	29.5	68.5	31.1	30/440	88-108/330	3ARR3*10S*	11.7	297.7	13.8	349.0	14.0	356.1
H29B28UABH	35	1.0	65.5	29.8	69.0	31.4	30/440	88/108/330	3ARR3*3L*	11.7	297.6	13.8	348.8	14.0	355.9
H29B30UABH	35	1.0	66.0	30.0	69.5	31.6	30/440	145-175/250	3ARR3*10S*	12.2	310.3	14.3	361.5	14.5	368.6
H29B35UABH	35	1.0	70.0	31.8	73.5	33.4	35/440	88-108/330	3ARR3*10S*	12.2	310.3	14.3	361.5	14.5	368.6
H29B22UDBL	35	1.0	59.5	27.1	63.0	28.7	-Not Req'd	-Not Req'd	-Not Req'd	11.2	285.0	13.2	336.3	13.5	343.4
H29B24UDBL	35	1.0	61.0	27.7	64.5	29.3	-Not Req'd	-Not Req'd	-Not Req'd	11.7	297.7	13.8	349.0	14.0	356.1
H29B26UDBL	35	1.0	63.0	28.6	66.5	30.2	-Not Req'd	-Not Req'd	-Not Req'd	11.7	297.7	13.8	349.0	14.0	356.1
H29B28UDBL	35	1.0	63.0	28.6	66.5	30.2	-Not Req'd	-Not Req'd	-Not Req'd	11.7	297.7	13.8	349.0	14.0	356.1
H29B30UDBL	35	1.0	67.5	30.7	71.0	32.3	-Not Req'd	-Not Req'd	-Not Req'd	12.2	310.4	14.2	361.7	14.5	368.8
H29B32UDBL	35	1.0	67.5	30.7	71.0	32.3	-Not Req'd	-Not Req'd	-Not Req'd	12.2	310.4	14.2	361.7	14.5	368.8
H29B33UDBL	35	1.0	67.0	30.5	70.5	32.1	-Not Req'd	-Not Req'd	-Not Req'd	12.2	310.4	14.2	361.7	14.5	368.8
H29B35UDBL	40	1.2	71.6	32.5	71.0	32.3	-Not Req'd	-Not Req'd	-Not Req'd	12.2	310.4	14.2	361.7	14.5	368.8
H29B22UDBV	35	1.0	60.5	27.5	64.0	29.1	-Not Req'd	-Not Req'd	-Not Req'd	11.2	285.0	13.2	336.3	13.5	343.4
H29B24UDBV	35	1.0	61.0	27.7	64.5	29.3	-Not Req'd	-Not Req'd	-Not Req'd	11.7	297.7	13.8	349.0	14.0	356.1
H29B26UDBV	35	1.0	63.0	28.6	66.5	30.2	-Not Req'd	-Not Req'd	-Not Req'd	11.7	297.7	13.8	349.0	14.0	356.1
H29B28UDBV	35	1.0	63.0	28.6	66.5	30.2	-Not Req'd	-Not Req'd	-Not Req'd	11.7	297.7	13.8	349.0	14.0	356.1
H29B30UDBV	35	1.0	67.5	30.7	71.0	32.3	-Not Req'd	-Not Req'd	-Not Req'd	12.2	310.4	14.2	361.7	14.5	368.8
H29B32UDBV	35	1.0	67.5	30.7	71.0	32.3	-Not Req'd	-Not Req'd	-Not Req'd	12.2	310.4	14.2	361.7	14.5	368.8
H29B33UDBV	35	1.0	67.5	30.7	71.0	32.3	-Not Req'd	-Not Req'd	-Not Req'd	12.2	310.4	14.2	361.7	14.5	368.8
H29B35UDBV	40	1.2	71.6	32.5	71.0	32.3	-Not Req'd	-Not Req'd	-Not Req'd	12.2	310.4	14.2	361.7	14.5	368.8
H29B33UDBF	35	1.0	67.0	30.5	70.5	32.1	-Not Req'd	-Not Req'd	-Not Req'd	12.2	310.3	14.3	361.5	14.5	368.6
H29B35UDBF	40	1.2	71.6	32.5	71.0	32.3	-Not Req'd	-Not Req'd	-Not Req'd	12.2	310.4	14.2	361.7	14.5	368.8

H29B SERIES

Model	@45/130					@45/100		
	Capacity		Motor Input	EER/COP		Capacity	Motor Input	EER
	BTU/H	WATTS		BTU/WH	W/W			
220/240 VOLTS - 1 Phase								
H29B17UABH	14800	4343	1400	10.6	3.1	19944	1117	17.9
H29B18UABH	15300	4489	1450	10.6	3.1	20508	1159	17.7
H29B20UABH	17700	5194	1630	10.9	3.2	23244	1335	17.4
H29B22UABH	19500	5722	1800	10.8	3.2	25519	1426	17.9
H29B28UABH	23500	6895	2190	10.7	3.2	31750	1775	17.9
H29B30UABH	25100	7365	2330	10.8	3.2	33300	1930	17.3
H29B32UABK	27500	8069	2570	10.7	3.1	35376	2216	16.0
H29B33UABK	28360	8321	2650	10.7	3.1	36501	2028	18.0

220/200 VOLTS - 3 Phase								
H29B22UDBL	19500	5721	1865	10.5	3.1	26010	1490	17.5
H29B24UDBL	20200	5927	1960	10.3	3.0	27193	1578	17.2
H29B26UDBL	22650	6646	2200	10.3	3.0	28554	1705	16.7
H29B28UDBL	24400	7159	2320	10.5	3.1	31577	1816	17.4
H29B30UDBL	26100	7658	2450	10.7	3.1	33109	1930	17.2
H29B32UDBL	27800	8157	2620	10.6	3.1	35856	2047	17.5
H29B33UDBL	27840	8169	2635	10.6	3.1	33400	2283	14.6
H29B35UDBL	30500	8949	2900	10.5	3.1	37530	2262	16.6

380/415 VOLTS - 3 Phase								
H29B22UDBV	19513	5725	1866	10.5	3.1	23802	1645	14.5
H29B24UDBV	20400	5986	1940	10.5	3.1	27420	1549	17.7
H29B26UDBV	22700	6661	2160	10.5	3.1	30057	1694	17.7
H29B28UDBV	24030	7051	2280	10.5	3.1	31605	1762	17.9
H29B30UDBV	25600	7512	2400	10.7	3.1	33386	1864	17.9
H29B32UDBV	27500	8069	2600	10.6	3.1	36103	2023	17.8
H29B33UDBV	28600	8392	2680	10.7	3.1	36539	2063	17.7
H29B35UDBV	30200	8861	2820	10.7	3.1	38744	2205	17.6

500 VOLTS - 3 Phase								
H29B35UDBF	29900	8773	2880	10.4	3.0	37208	2246	16.6

*Data Subject to Revision

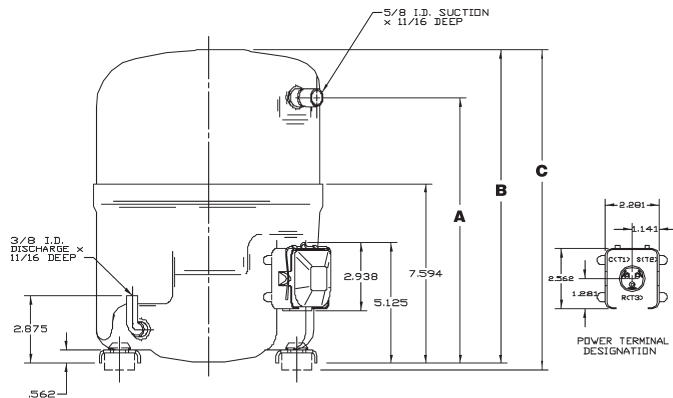


Electrical Data			Displacement	
RLA	LRA	MCC	IN ³ /REV	CM ³ /REV
6.4	42	11.0	1.97	32.33
6.7	42	12.0	2.03	33.28
7.6	55	12.5	2.24	36.69
8.4	55	15.0	2.44	39.97
10.5	69	17.2	3.06	50.06
11.3	76	19.7	3.20	52.37
12.4	76	22.0	3.26	53.40
13.0	76	23.0	3.34	54.71

6.9	60	12.0	2.59	42.36
6.8	60	13.1	2.56	41.93
8.5	72	13.5	2.76	45.21
8.7	72	13.7	2.90	47.50
9.5	82	14.3	3.08	50.45
9.5	82	16.0	3.26	53.40
9.8	82	16.8	3.50	57.30
10.3	82	16.8	3.52	57.66

3.3	30	6.3	2.59	42.36
3.4	30	6.7	2.56	41.93
4.1	38	7.4	2.76	45.21
4.2	38	7.4	2.90	47.50
4.4	42	8.0	3.08	50.45
4.7	42	8.0	3.26	53.40
4.8	42	8.1	3.34	54.71
4.9	42	9.0	3.52	57.66

3.9	30	6.3	3.52	57.66
-----	----	-----	------	-------



H29B & H79B

Model	Oil Charge		Weight				ELECTRICAL START COMPONENTS			DIMENSIONS					
							Run Capacitor	Start Capacitor	G.E. Relay	*DIAGRAMS FOUND ON PAGE 16					
	OZ	L	Lbs	Kg	Lbs	Kg	MFD/VOLTS	MFD/VOLTS		A		B		C	
									IN	MM	IN	MM	IN	MM	
H29B17UABH	35	1.0	61.5	28.0	64.0	29.1	30/370	88-108/330	3ARR3*10S*	11.2	285.0	13.2	336.3	13.5	343.4
H29B18UABH	35	1.0	61.5	28.0	64.0	29.1	30/370	88-108/330	3ARR3*10S*	11.2	285.0	13.2	336.3	13.5	343.4
H29B20UABH	35	1.0	65.0	29.5	68.5	31.1	30/370	88-108/330	3ARR3*10U*	11.7	297.7	13.8	349.0	14.0	356.1
H29B22UABH	35	1.0	65.0	29.5	68.5	31.1	35/370	88-108/330	3ARR3*10U*	11.7	297.7	13.8	349.0	14.0	356.1
H29B28UABH	35	1.0	65.5	29.8	69.0	31.4	40/370	145-175/250	3ARR3*3L*	11.7	297.6	13.8	348.8	14.0	355.9
H29B30UABH	35	1.0	66.0	30.0	69.5	31.6	40/370	88-108/250	3ARR3*10S*	12.2	310.3	14.3	361.5	14.5	368.6
H29B32UABK	35	1.0	69.5	31.6	73.0	33.2	40/370	145-175/250	3ARR3*10S*	12.2	310.4	14.2	361.7	14.5	368.8
H29B33UABK	35	1.0	69.5	31.6	73.0	33.2	40/370	145-175/250	3ARR3*10S*	12.2	310.4	14.2	361.7	14.5	368.8
H29B22UDBL	35	1.0	59.5	27.1	63.0	28.7	-Not Req'd	-Not Req'd	-Not Req'd	11.2	285.0	13.2	336.3	13.5	343.4
H29B24UDBL	35	1.0	61.0	27.7	64.5	29.3	-Not Req'd	-Not Req'd	-Not Req'd	11.7	297.7	13.8	349.0	14.0	356.1
H29B26UDBL	35	1.0	63.0	28.6	66.5	30.2	-Not Req'd	-Not Req'd	-Not Req'd	11.7	297.7	13.8	349.0	14.0	356.1
H29B28UDBL	35	1.0	63.0	28.6	66.5	30.2	-Not Req'd	-Not Req'd	-Not Req'd	11.7	297.7	13.8	349.0	14.0	356.1
H29B30UDBL	35	1.0	67.5	30.7	71.0	32.3	-Not Req'd	-Not Req'd	-Not Req'd	12.2	310.4	14.2	361.7	14.5	368.8
H29B32UDBL	35	1.0	67.5	30.7	71.0	32.3	-Not Req'd	-Not Req'd	-Not Req'd	12.2	310.4	14.2	361.7	14.5	368.8
H29B33UDBL	35	1.0	67.0	30.5	70.5	32.1	-Not Req'd	-Not Req'd	-Not Req'd	12.2	310.4	14.2	361.7	14.5	368.8
H29B35UDBL	40	1.2	71.6	32.5	71.0	32.3	-Not Req'd	-Not Req'd	-Not Req'd	12.2	310.4	14.2	361.7	14.5	368.8
H29B22UDBV	35	1.0	59.5	27.1	63.0	28.7	-Not Req'd	-Not Req'd	-Not Req'd	11.2	285.0	13.2	336.3	13.5	343.4
H29B24UDBV	35	1.0	61.0	27.7	64.5	29.3	-Not Req'd	-Not Req'd	-Not Req'd	11.7	297.7	13.8	349.0	14.0	356.1
H29B26UDBV	35	1.0	63.0	28.6	66.5	30.2	-Not Req'd	-Not Req'd	-Not Req'd	11.7	297.7	13.8	349.0	14.0	356.1
H29B28UDBV	35	1.0	63.0	28.6	66.5	30.2	-Not Req'd	-Not Req'd	-Not Req'd	11.7	297.7	13.8	349.0	14.0	356.1
H29B30UDBV	35	1.0	67.5	30.7	71.0	32.3	-Not Req'd	-Not Req'd	-Not Req'd	12.2	310.4	14.2	361.7	14.5	368.8
H29B32UDBV	35	1.0	67.5	30.7	71.0	32.3	-Not Req'd	-Not Req'd	-Not Req'd	12.2	310.4	14.2	361.7	14.5	368.8
H29B33UDBV	35	1.0	67.5	30.7	71.0	32.3	-Not Req'd	-Not Req'd	-Not Req'd	12.2	310.4	14.2	361.7	14.5	368.8
H29B35UDBV	40	1.2	71.6	32.5	71.0	32.3	-Not Req'd	-Not Req'd	-Not Req'd	12.2	310.4	14.2	361.7	14.5	368.8
H29B35UDBF	40	1.2	71.6	32.5	71.0	32.3	-Not Req'd	-Not Req'd	-Not Req'd	12.2	310.4	14.2	361.7	14.5	368.8

H2EB SERIES

Model	@45/130				@45/100			
	Capacity		Motor Input	EER/COP		Capacity	Motor Input	EER
	BTU/H	WATTS		BTU/WH	W/W			
240/200 VOLTS - 1 Phase								
H2EB243ABP	20550	6030	2091	9.8	2.9	26450	1717	15.4
H2EB323ABP	26500	7775	2805	9.4	2.8	33400	2377	14.1



Electrical Data			Displacement	
RLA	LRA	MCC	IN ³ /REV	CM ³ /REV
11.3	78	20.0	2.84	46.59
15.1	95	23.0	3.64	59.68

220/240 VOLTS - 1 Phase								
H2EB243ABK	20550	6030	2203	9.3	2.7	26585	1848	14.4
H2EB263ABK	22600	6631	2450	9.2	2.7	28900	2083	13.9
H2EB283ABK	23340	6848	2554	9.1	2.7	30022	2189	13.7
H2EB293ABK	24300	7130	2700	9.0	2.6	30913	2347	13.2
H2EB323ABK	26400	7746	2907	9.1	2.7	33578	2428	13.8

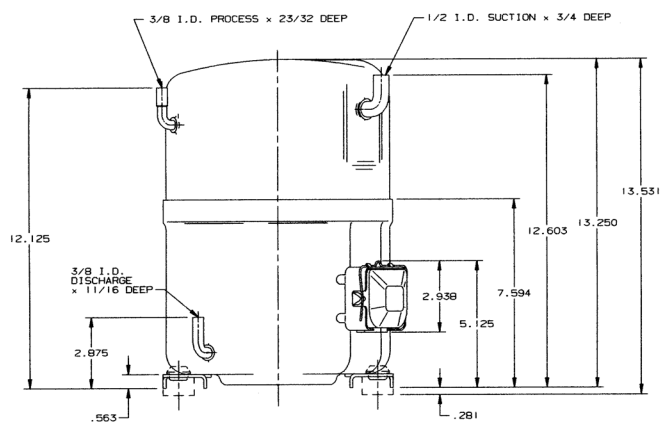
10.4	63	16.6	2.84	46.59
11.6	63	17.2	3.08	50.44
12.6	76	22.0	3.28	53.75
13.5	76	22.0	3.41	55.91
13.3	73	21.5	3.64	59.68

H2EB SERIES

230/208 VOLTS - 1 Phase								
H2EB203ABC	20000	5868	2203	9.1	2.7	26400	1820	14.5
H2EB223ABC	22125	6492	2421	9.1	2.7	28191	2133	13.2
H2EB243ABC	23500	6891	2450	9.6	2.8	30800	2140	14.4
H2EB263ABC	26000	7629	2900	9.0	2.6	33770	2364	14.3
H2EB283ABC	28059	8233	3099	9.1	2.7	35680	2780	12.8

11.0	61	17.0	2.46	40.35
12.1	61	18.2	2.70	44.22
10.6	66	18.4	2.84	46.59
12.8	83	21.0	3.13	51.29
13.9	83	23.2	3.36	55.06

*Data Subject to Revision



H2EB

50 HZ

Model	Oil Charge		Weight				ELECTRICAL START COMPONENTS			DIMENSIONS					
							Run Capacitor	Start Capacitor	G.E. Relay	*DIAGRAMS FOUND ON PAGE 18					
	OZ	L	Lbs	Kg	Lbs	Kg	MFD/VOLTS	MFD/VOLTS		A		B		C	
H2EB243ABP	40	1.2	60.5	27.5	64.0	29.1	35/440	88-108/250	3ARR3*24AP*	12.6	319.7	13.3	336.2	13.5	343.3
H2EB323ABP	40	1.2	63.5	28.9	67.0	30.5	45/440	88-108/250	3ARR3*24AP*	13.4	338.8	13.8	348.8	14.0	356.0
H2EB243ABK	40	1.2	54.5	24.8	58.0	26.4	35/370	145-175/250	3ARR3*10AT*	12.6	319.7	13.3	336.2	13.5	343.3
H2EB263ABK	40	1.2	54.5	24.8	58.0	26.4	35/370	145-175/250	3ARR3*10AT*	12.6	319.7	13.3	336.2	13.5	343.3
H2EB283ABK	40	1.2	61.0	27.8	64.5	29.3	40/370	88-108/250	3ARR3*24AP*	12.9	326.1	13.3	336.2	13.5	343.3
H2EB293ABK	40	1.2	61.0	27.8	64.5	29.3	40/370	88-108/250	3ARR3*24AP*	12.9	326.1	13.3	336.2	13.5	343.3
H2EB323ABK	40	1.2	61.0	27.8	64.5	29.3	45/370	145-175/250	3ARR3*10AT	12.9	326.1	13.3	336.2	13.5	343.3

60 HZ

H2EB203ABC	40	1.2	54.0	24.6	57.0	25.9	25/370	88-108/250	3ARR3*10S*	12.0	303.7	12.6	320.3	12.9	327.4
H2EB223ABC	40	1.2	54.0	24.6	57.0	25.9	25/370	88-108/250	3ARR3*10S*	12.0	303.7	12.6	320.3	12.9	327.4
H2EB243ABC	40	1.2	60.5	27.5	64.0	29.1	35/370	88-108/250	3ARR3*24AP*	12.9	326.1	13.3	336.2	13.5	343.3
H2EB263ABC	40	1.2	61.0	27.8	64.5	29.3	35/370	145-175/250	3ARR3*24P*	12.6	319.7	13.3	336.2	13.5	343.3
H2EB283ABC	40	1.2	59.5	27.1	63.0	28.7	45/370	145-175/250	3ARR3*3R*	12.9	326.1	13.3	336.2	13.5	343.3

H79B SERIES (R407C)



Model	@45/130					@45/100		
	Capacity BTU/H WATTS	Motor Input WATTS	EER/COP		Capacity BTU/H	Motor Input WATTS	EER	
			BTU/WH	W/W				BTU/WH
380/415 VOLTS - 3 Phase								
H79B28UDBE	20629	6053	2224	9.3	2.7	29004	1656	17.5

Electrical Data			Displacement	
RLA	LRA	MCC	IN ³ /REV	CM ³ /REV
4.2	38	74.0	2.90	47.50

H79B SERIES (R407C)

220/240 VOLTS - 1 Phase								
H79B17UABH	12370	3630	1346	9.2	2.7	17991	1151	15.6
H79B18UABH	13096	3843	1293	10.1	3.0	18734	1088	17.2
H79B20UABH	14643	4297	1520	9.6	2.8	20973	1266	16.6
H79B22UABH	16592	4868	1682	9.9	2.9	23011	1373	16.8
H79B24UABH	17278	5070	1721	10.0	2.9	24327	1425	17.1
H79B26UABH	18892	5543	1866	10.1	3.0	26678	1554	17.2
H79B28UABH	20434	5996	2094	9.8	2.9	28502	1695	16.8
H79B30UABH	21905	6427	2218	9.9	2.9	30493	1792	17.0
H79B32UABH	23391	6863	2335	10.0	2.9	32415	1891	17.1
H79B33UABH	24251	7116	2396	10.1	3.0	33222	1924	17.3
H79B35UABH	26263	7706	2704	9.7	2.8	35113	2201	16.0

6.4	42	11.0	1.97	32.27
6.7	42	12.0	2.03	33.25
7.6	55	15.0	2.24	36.69
8.4	55	15.0	2.44	39.97
9.0	56	16.0	2.56	41.93
9.6	58	18.0	2.76	45.21
10.7	70	20.0	2.90	47.50
11.6	76	21.0	3.08	50.45
12.4	76	22.0	3.26	53.40
13.0	76	23.0	3.34	54.71
13.4	85	23.0	3.52	57.66

380/415 VOLTS - 3 Phase								
H79B22UDBE	16447	4826	1663	9.9	2.9	23026	1355	17.0
H79B24UDBE	17185	5042	1741	9.9	2.9	25018	1479	16.9
H79B26UDBE	19204	5635	1978	9.7	2.8	26928	1593	16.9
H79B30UDBE	22003	6456	2258	9.7	2.9	30540	1791	17.1
H79B32UDBE	23297	6836	2385	9.8	2.9	33033	2096	15.8
H79B33UDBE	24045	7055	2419	9.9	2.9	33264	1958	17.0
H79B35UDBE	26008	7631	2729	9.5	2.8	36343	2161	16.8

3.3	30	6.0	2.44	39.97
3.4	30	7.0	2.56	41.93
4.1	38	7.0	2.76	45.21
4.4	42	8.0	3.08	50.45
4.7	42	8.0	3.26	53.40
4.8	42	8.0	3.34	54.71
5.0	42	9.0	3.52	57.66

*Data Subject to Revision

Model	Oil Charge		Weight				ELECTRICAL START COMPONENTS			DIMENSIONS					
							Run Capacitor	Start Capacitor	G.E. Relay	*DIAGRAMS FOUND ON PAGE 16					
	OZ	L	Net Lbs	Net Kg	Ship Lbs	Ship Kg	MFD/VOLTS	MFD/VOLTS		A		B		C	
									IN	MM	IN	MM	IN	MM	
H79B28UDBE	35	1.0	63.0	28.6	66.5	30.2	-Not Req'd	-Not Req'd	-Not Req'd	13.3	336.8	13.8	349.0	14.0	356.1

H79B17UABH	35	1.0	61.5	28.0	64.0	29.1	30/370	145-175/250	3ARR3*10S*	12.8	324.1	13.2	336.3	13.5	343.4
H79B18UABH	35	1.0	61.5	28.0	64.0	29.1	30/370	145-175/250	3ARR3*10S*	12.8	324.1	13.2	336.3	13.5	343.4
H79B20UABH	35	1.0	65.0	29.5	68.5	31.1	30/370	145-175/250	3ARR3*10U*	13.3	336.8	13.8	349.0	14.0	356.1
H79B22UABH	35	1.0	65.0	29.5	68.5	31.1	35/370	145-175/250	3ARR3*10U*	13.3	336.8	13.8	349.0	14.0	356.1
H79B24UABH	35	1.0	67.0	30.5	70.5	32.0	35/370	145-175/250	3ARR3*10S*	13.3	336.8	13.8	349.0	14.0	356.1
H79B26UABH	35	1.0	67.0	30.5	70.5	32.0	40/370	145-175/250	3ARR3*10S*	13.3	336.8	13.8	349.0	14.0	356.1
H79B28UABH	35	1.0	67.0	30.5	70.5	32.0	40/370	145-175/250	3ARR3*3L*	13.3	336.8	13.8	349.0	14.0	356.1
H79B30UABH	35	1.0	69.5	31.6	73.0	33.2	40/370	145-175/250	3ARR3*10S*	13.8	349.5	14.2	361.7	14.5	368.8
H79B32UABH	35	1.0	69.5	31.6	73.0	33.2	40/370	145-175/250	3ARR3*10S*	13.8	349.5	14.2	361.7	14.5	368.8
H79B33UABH	35	1.0	69.5	31.6	73.0	33.2	40/370	145-175/250	3ARR3*10S*	13.8	349.5	14.2	361.7	14.5	368.8
H79B35UABH	35	1.0	71.5	32.5	75.0	34.1	45/370	145-175/250	3ARR3*10S*	13.8	349.5	14.2	361.7	14.5	368.8
H79B22UDBE	35	1.0	60.5	27.5	64.0	29.1	-Not Req'd	-Not Req'd	-Not Req'd	12.8	324.1	13.2	336.3	13.5	343.4
H79B24UDBE	35	1.0	61.0	27.7	64.5	29.3	-Not Req'd	-Not Req'd	-Not Req'd	13.3	336.8	13.8	349.0	14.0	356.1
H79B26UDBE	35	1.0	63.0	28.6	66.5	30.2	-Not Req'd	-Not Req'd	-Not Req'd	13.3	336.8	13.8	349.0	14.0	356.1
H79B30UDBE	35	1.0	67.5	30.7	71.0	32.3	-Not Req'd	-Not Req'd	-Not Req'd	14.0	354.9	14.2	361.7	14.5	368.8
H79B32UDBE	35	1.0	67.5	30.7	71.0	32.3	-Not Req'd	-Not Req'd	-Not Req'd	13.8	349.5	14.2	361.7	14.5	368.8
H79B33UDBE	35	1.0	67.5	30.7	71.0	32.3	-Not Req'd	-Not Req'd	-Not Req'd	13.8	349.5	14.2	361.7	14.5	368.8
H79B35UDBE	40	1.2	67.5	30.7	71.0	32.3	-Not Req'd	-Not Req'd	-Not Req'd	13.8	349.5	14.2	361.7	14.5	368.8

H29A SERIES



Model	@45/130					@45/100			Electrical Data			Displacement	
	Capacity		Motor Input	EER/COP		Capacity	Motor Input	EER	RLA	LRA	MCC	IN ³ /REV	CM ³ /REV
	BTU/H	WATTS		BTU/WH	W/W								
230/208 VOLTS - 1 Phase													
H29A383CBC	37800	11091	3300	11.5	3.4	49900	2610	19.1	15.2	87	26.0	4.15	67.98
H29A403CBC	40150	11780	3513	11.4	3.4	52290	2750	19.0	15.5	105	32.0	4.31	70.61
H29A423CBC	42685	12525	3695	11.6	3.4	55666	2931	19.0	16.7	105	32.0	4.51	73.87
H29A443CBC	45300	13292	3930	11.5	3.4	58300	3010	19.3	17.5	105	34.0	4.71	77.15
H29A473CBC	47130	13829	4060	11.6	3.4	61276	3229	19.0	18.7	135	39.0	4.94	80.92
H29A503CBC	50450	14803	4381	11.5	3.4	64500	3527	18.3	19.2	135	38.0	5.14	84.19
H29A543CBC	54027	15853	4712	11.5	3.4	68879	3680	18.7	20.5	135	39.0	5.50	90.09
H29A563CBC	56700	16636	4950	11.5	3.4	72800	3850	19.0	22.0	135	40.0	5.70	93.38
H29A583CBC	57860	16977	5095	11.4	3.3	73014	4096	17.8	22.6	147	41.0	5.82	95.33
H29A623CBC	61100	17927	5350	11.4	3.4	77500	4250	18.3	24.0	147	43.5	6.03	98.78
230/200 VOLTS - 3 Phase													
H29A383DBL	38355	11254	3300	11.6	3.4	49709	2579	19.3	10.0	110	20.5	4.15	67.98
H29A423DBL	42685	12524	3695	11.6	3.4	55660	2931	19.0	10.4	130	22.0	4.51	73.80
H29A473DBL	47583	13961	4097	11.6	3.4	62301	3275	19.0	11.9	130	23.0	4.94	80.89
H29A503DBL	50711	14880	4403	11.5	3.4	61946	3330	18.6	12.5	137	25.0	5.14	84.18
H29A563DBL	56600	16607	4900	11.6	3.4	71300	3800	18.8	14.0	150	25.0	5.70	93.38
H29A623DBL	61100	17927	5250	11.6	3.4	77500	4200	18.5	14.9	150	25.5	6.03	98.78
460/380 VOLTS - 3 Phase													
H29A383DBV	38226	11216	3300	11.6	3.4	49709	2579	19.3	5.2	54	10.5	4.15	67.98
H29A423DBV	42685	12524	3695	11.6	3.4	55660	2931	19.0	5.2	64	11.0	4.51	73.80
H29A473DBV	47128	13828	4058	11.6	3.4	61276	3229	19.0	6.3	64	12.0	4.94	80.89
H29A503DBV	50711	14880	4403	11.5	3.4	61946	3330	18.6	6.2	69	13.0	5.14	84.18
H29A563DBV	56600	16607	4850	11.7	3.4	72100	3850	18.7	7.0	75	15.5	5.70	93.38
H29A623DBV	60700	17810	5280	11.5	3.4	77900	4200	18.5	7.5	75	18.0	6.03	98.78
H29A723DBV	72600	21302	6450	11.3	3.3	91200	4950	18.4	8.8	79	15.0	7.15	117.13
575 VOLTS - 3 Phase													
H29A383DBF	38290	11235	3310	11.6	3.4	49709	2579	19.3	4.2	44	8.0	4.15	67.98
H29A423DBF	42685	12524	3695	11.6	3.4	55660	2931	19.0	4.2	52	9.0	4.51	73.80
H29A473DBF	47130	13828	4060	11.6	3.4	61276	3229	19.0	4.9	52	10.0	4.94	80.89
H29A503DBF	50711	14880	4403	11.5	3.4	61946	3330	18.6	4.9	58	10.0	5.14	84.18
H29A563DBF	56600	16607	4900	11.6	3.4	71300	3800	18.8	5.8	62	10.0	5.70	93.38
H29A583DBF	58000	17018	5060	11.5	3.4	73700	3970	18.6	6.2	62	10.0	5.82	95.31
H29A623DBF	61100	17927	5250	11.6	3.4	77500	4200	18.5	6.1	62	10.0	6.03	98.78

*Data Subject to Revision

Model	Oil Charge		Weight				ELECTRICAL START COMPONENTS			DIMENSIONS					
							Run Capacitor	Start Capacitor	G.E. Relay	*DIAGRAMS FOUND ON PAGE 35					
	OZ	L	Net Lbs	Net Kg	Ship Lbs	Ship Kg	MFD/VOLTS	MFD/VOLTS		A		B		C	
									IN	MM	IN	MM	IN	MM	
H29A383CBC	65	1.9	93.0	42.3	97.5	44.3	45/370	270-324/330	3ARR22*3S*	14.0	355.3	16.1	409.4	16.4	417.2
H29A403CBC	65	1.9	100.0	45.5	104.5	47.5	45/370	270-324/330	3ARR22*3P*	15.3	386.9	17.4	440.9	17.7	448.8
H29A423CBC	65	1.9	100.0	45.5	104.5	47.5	45/370	270-324/330	3ARR22*3P*	15.3	386.9	17.4	440.9	17.7	448.8
H29A443CBC	65	1.9	101.5	46.1	105.5	48.0	45/370	270-324/330	3ARR22*3P*	15.3	386.9	17.4	440.9	17.7	448.8
H29A473CBC	65	1.9	105.5	48.0	109.5	49.8	55/370	270-324/330	3ARR22*3N*	15.3	386.9	17.4	440.9	17.7	448.8
H29A503CBC	65	1.9	105.5	48.0	109.5	49.8	55/370	270-324/330	3ARR22*3N*	15.3	386.9	17.4	440.9	17.7	448.8
H29A543CBC	65	1.9	105.5	48.0	109.5	49.8	60/370	270-324/330	3ARR22*3N*	15.3	386.9	17.4	440.9	17.7	448.8
H29A563CBC	65	1.9	105.5	48.0	109.5	49.8	60/370	270 - 324/330	3ARR22*3N*	15.3	386.9	17.4	440.9	17.7	448.8
H29A583CBC	65	1.9	105.5	48.0	109.5	49.8	60/370	270-324/330	3ARR22*24R*	15.3	386.9	17.4	440.9	17.7	448.8
H29A623CBC	65	1.9	105.5	48.0	109.5	49.8	60/370	270-324/330	3ARR22*24R*	15.3	386.9	17.4	440.9	17.7	448.8
H29A383DBL	65	1.9	92.5	42.0	96.5	43.9	-Not Req'd	-Not Req'd	-Not Req'd	14.0	355.3	16.1	409.4	16.4	417.2
H29A423DBL	65	1.9	94.5	43.0	98.5	44.8	-Not Req'd	-Not Req'd	-Not Req'd	15.3	386.9	17.4	440.9	17.7	448.8
H29A473DBL	65	1.9	94.5	43.0	99.0	45.0	-Not Req'd	-Not Req'd	-Not Req'd	15.3	386.9	17.4	440.9	17.7	448.8
H29A503DBL	65	1.9	100.5	45.7	104.5	47.5	-Not Req'd	-Not Req'd	-Not Req'd	15.3	386.9	17.4	440.9	17.7	448.8
H29A563DBL	65	1.9	105.5	48.0	109.5	49.8	-Not Req'd	-Not Req'd	-Not Req'd	15.3	386.9	17.4	440.9	17.7	448.8
H29A623DBL	65	1.9	105.5	48.0	109.5	49.8	-Not Req'd	-Not Req'd	-Not Req'd	15.3	386.9	17.4	440.9	17.7	448.8
H29A383DBV	65	1.9	92.5	42.0	96.5	43.9	-Not Req'd	-Not Req'd	-Not Req'd	14.0	355.3	16.1	409.4	16.4	417.2
H29A423DBV	65	1.9	94.5	43.0	98.5	44.8	-Not Req'd	-Not Req'd	-Not Req'd	15.3	386.9	17.4	440.9	17.7	448.8
H29A473DBV	65	1.9	94.5	43.0	99.0	45.0	-Not Req'd	-Not Req'd	-Not Req'd	15.3	386.9	17.4	440.9	17.7	448.8
H29A503DBV	65	1.9	100.5	45.7	104.5	47.5	-Not Req'd	-Not Req'd	-Not Req'd	15.3	386.9	17.4	440.9	17.7	448.8
H29A563DBV	65	1.9	105.5	48.0	109.5	49.8	-Not Req'd	-Not Req'd	-Not Req'd	15.3	386.9	17.4	440.9	17.7	448.8
H29A623DBV	65	1.9	105.5	48.0	109.5	49.8	-Not Req'd	-Not Req'd	-Not Req'd	15.3	386.9	17.4	440.9	17.7	448.8
H29A723DBV	65	1.9	105.5	48.0	109.5	49.8	-Not Req'd	-Not Req'd	-Not Req'd	15.3	386.9	17.4	440.9	17.7	448.8
H29A383DBF	65	1.9	92.5	42.0	96.5	43.9	-Not Req'd	-Not Req'd	-Not Req'd	14.0	355.3	16.1	409.4	16.4	417.2
H29A423DBF	65	1.9	94.5	43.0	98.5	44.8	-Not Req'd	-Not Req'd	-Not Req'd	15.3	386.9	17.4	440.9	17.7	448.8
H29A473DBF	65	1.9	94.5	43.0	98.5	44.8	-Not Req'd	-Not Req'd	-Not Req'd	15.3	386.9	17.4	440.9	17.7	448.8
H29A503DBF	65	1.9	100.5	45.7	104.5	47.5	-Not Req'd	-Not Req'd	-Not Req'd	15.3	386.9	17.4	440.9	17.7	448.8
H29A563DBF	65	1.9	105.5	48.0	109.5	49.8	-Not Req'd	-Not Req'd	-Not Req'd	15.3	386.9	17.4	440.9	17.7	448.8
H29A583DBF	65	1.9	105.5	48.0	109.5	49.8	-Not Req'd	-Not Req'd	-Not Req'd	15.3	386.9	17.4	440.9	17.7	448.8
H29A623DBF	65	1.9	105.5	48.0	109.5	49.8	-Not Req'd	-Not Req'd	-Not Req'd	15.3	386.9	17.4	440.9	17.7	448.8

H29A SERIES

Model	@45/130					@45/100		
	Capacity		Motor Input	EER/COP		Capacity	Motor Input	EER
	BTU/H	WATTS		BTU/WH	W/W			
220/200 VOLTS - 3 Phase								
H29A383DBL	31600	9272	2750	11.5	3.4	42100	2250	18.7
H29A423DBL	35000	10269	3050	11.5	3.4	46200	2450	18.9
H29A473DBL	39440	11572	3401	11.6	3.4	52367	2718	19.3
H29A543DBL	44900	13174	3850	11.7	3.4	57300	3050	18.8
H29A623DBL	49400	14494	4300	11.5	3.4	64000	3400	18.8
380/415 VOLTS - 3 Phase								
H29A383DBV	31630	9281	2780	11.4	3.3	41421	2167	19.1
H29A423DBV	35429	10395	3067	11.6	3.4	46203	2433	19.0
H29A473DBV	39117	11477	3368	11.6	3.4	50859	2680	19.0
H29A503DBV	42046	12337	3649	11.5	3.4	51669	2776	18.6
H29A563DBV	46182	13551	3974	11.6	3.4	58796	3079	19.1
H29A723DBV	60823	17847	5381	11.3	3.3	75692	4091	18.5
500 VOLTS - 3 Phase								
H29A623DBF	49400	14470	4300	11.5	3.4	64000	3400	18.8



Electrical Data			Displacement		
RLA	LRA	MCC	IN ³ /REV	CM ³ /REV	
10.0	115	20.5	4.14	67.82	
10.7	138	20.0	4.50	73.72	
12.0	138	23.0	4.94	80.89	
13.4	145	25.0	5.50	90.10	
14.2	150	25.5	6.03	98.78	
4.8	54	11.0	4.15	67.98	
4.5	58	11.0	4.51	73.80	
6.3	58	11.4	4.94	80.89	
5.2	62	13.0	5.14	84.18	
6.8	66	15.0	5.07	83.08	
9.0	79	15.0	7.15	117.12	
5.9	56	11.0	6.03	98.77	

*Data Subject to Revision

Model	Oil Charge		Weight				ELECTRICAL START COMPONENTS			DIMENSIONS					
							Run Capacitor	Start Capacitor	G.E. Relay	*DIAGRAMS FOUND ON PAGE 35					
	OZ	L	Net Lbs	Net Kg	Ship Lbs	Ship Kg	MFD/VOLTS	MFD/VOLTS		A		B		C	
									IN	MM	IN	MM	IN	MM	
H29A383DBL	65	1.9	92.5	42.1	96.5	43.9	-Not Req'd	-Not Req'd	-Not Req'd	14.0	355.2	16.1	409.2	16.4	417.1
H29A423DBL	65	1.9	94.5	43.0	104.5	47.5	-Not Req'd	-Not Req'd	-Not Req'd	15.3	386.9	17.4	440.9	17.7	448.8
H29A473DBL	65	1.9	94.5	43.0	99.0	45.0	-Not Req'd	-Not Req'd	-Not Req'd	15.3	386.9	17.4	440.9	17.7	448.8
H29A543DBL	65	1.9	100.5	45.7	104.5	47.5	-Not Req'd	-Not Req'd	-Not Req'd	15.3	386.9	17.4	440.9	17.7	448.8
H29A623DBL	65	1.9	105.5	48.0	109.5	49.8	-Not Req'd	-Not Req'd	-Not Req'd	15.3	386.9	17.4	440.9	17.7	448.8
H29A383DBV	65	1.9	92.5	42.0	96.5	43.9	-Not Req'd	-Not Req'd	-Not Req'd	14.0	355.3	16.1	409.4	16.4	417.2
H29A423DBV	65	1.9	94.5	43.0	98.5	44.8	-Not Req'd	-Not Req'd	-Not Req'd	15.3	386.9	17.4	440.9	17.7	448.8
H29A473DBV	65	1.9	94.5	43.0	99.0	45.0	-Not Req'd	-Not Req'd	-Not Req'd	15.3	386.9	17.4	440.9	17.7	448.8
H29A503DBV	65	1.9	100.5	45.7	104.5	47.5	-Not Req'd	-Not Req'd	-Not Req'd	15.3	387.0	17.4	440.9	17.7	448.8
H29A563DBV	65	1.9	105.5	48.0	109.5	49.8	-Not Req'd	-Not Req'd	-Not Req'd	15.3	387.0	17.4	440.9	17.7	448.8
H29A723DBV	65	1.9	105.5	48.0	109.5	49.8	-Not Req'd	-Not Req'd	-Not Req'd	15.3	387.0	17.4	440.9	17.7	448.8
H29A623DBF	65	1.9	105.5	48.0	109.5	49.8	-Not Req'd	-Not Req'd	-Not Req'd	15.3	387.0	17.4	441.1	17.7	449.0

H23A SERIES



Model	@45/130					@45/100		
	Capacity		Motor Input	EER/COP		Capacity	Motor Input	EER
	BTU/H	WATTS		BTU/WH	W/W			

Electrical Data			Displacement	
RLA	LRA	MCC	IN ³ /REV	CM ³ /REV

230/208 VOLTS - 1 Phase

H23A383ABC	37900	11121	3690	10.3	3.0	49082	3031	16.2
H23A423ABC	42100	12353	4060	10.4	3.0	53859	3362	16.0
H23A463ABC	46300	13585	4490	10.3	3.0	58855	3745	15.7
H23A503ABC	49000	14378	4890	10.0	2.9	63991	3978	16.1
H23A543ABC	53400	15669	5360	10.0	2.9	68387	4456	15.3
H23A563ABC	55600	16314	5480	10.1	3.0	71287	4567	15.6
H23A623ABC	60800	17840	6080	10	2.9	78211	5062	15.5

17.0	97	30.0	4.05	66.34
18.7	110	31.2	4.43	72.56
21.6	118	36.4	4.75	77.81
22.3	138	40.0	5.17	84.68
24.4	138	45.0	5.55	90.91
24.6	142	45.0	5.66	92.71
28.2	178	47.0	6.17	101.06

230/200 VOLTS - 3 Phase

H23A383DBL	37900	11121	3650	10.4	3.0	49082	2966	16.5
H23A423DBL	42100	12353	4040	10.4	3.1	53859	3308	16.3
H23A463DBL	46300	13585	4430	10.5	3.1	58855	3669	16.0
H23A503DBL	49000	14378	4890	10.0	2.9	63991	3978	16.1
H23A543DBL	53400	15669	5270	10.1	3.0	68387	4351	15.7
H23A563DBL	55600	16314	5390	10.3	3.0	71287	4464	16.0
H23A623DBL	60800	17840	5990	10.2	3.0	78211	4963	15.8

10.4	78	20.0	4.05	66.34
11.7	78	20.0	4.43	72.56
12.6	90	24.0	4.75	77.81
13.7	106	25.0	5.17	84.68
14.5	106	27.0	5.55	90.91
15.3	124	30.0	5.66	92.71
17	124	32.0	6.17	101.06

380/460 VOLTS - 3 Phase

H23A423DBW	42500	12470	4050	10.5	3.1	54612	3322	16.4
------------	-------	-------	------	------	-----	-------	------	------

6.7	44	11.0	4.43	72.56
-----	----	------	------	-------

460 VOLTS - 3 Phase

H23A383DBE	37900	11121	3650	10.4	3.0	49082	2966	16.5
H23A423DBE	42100	12353	4040	10.4	3.1	53859	3308	10.1
H23A463DBE	46300	13585	4430	10.5	3.1	58855	3669	16.0
H23A503DBE	49000	14378	4890	10.0	2.9	63991	3978	16.1
H23A543DBE	53400	15669	5270	10.1	3.0	68387	4351	15.7
H23A563DBE	55600	16314	5390	10.3	3.0	71287	4464	16.0
H23A583DBE	58400	17111	5550	10.5	3.1	74500	4626	16.1
H23A623DBE	60800	17840	5990	10.2	3.0	78211	4963	15.8

5.5	39	9.5	4.05	66.34
5.7	39	9.5	4.43	72.56
6.3	45	13.0	4.75	77.81
6.8	53	12.5	5.17	84.68
7.5	53	14.0	5.55	90.91
8.0	62	15.0	5.66	92.71
7.9	62	15.0	5.92	97.06
8.8	62	16.0	6.17	101.06

575 VOLTS - 3 Phase

H23A423DBF	42100	12353	4040	10.4	3.1	53859	3308	16.3
H23A463DBF	46300	13585	4430	10.5	3.1	58855	3669	16.0
H23A563DBF	55600	16314	5390	10.3	3.0	71287	4464	16.0
H23A623DBF	60800	17840	5990	10.2	3.0	78211	4963	15.8

4.6	36	8.0	4.43	72.56
5.0	36	10.0	4.75	77.81
6.1	50	12.0	5.66	92.71
6.8	50	13.0	6.17	101.06

*Data Subject to Revision

Model	Oil Charge		Weight				ELECTRICAL START COMPONENTS			DIMENSIONS					
							Run Capacitor	Start Capacitor	G.E.	*DIAGRAMS FOUND ON PAGE 34					
	OZ	L	Lbs	Kg	Lbs	Kg	MFD/VOLTS	MFD/VOLTS	Relay	A		B		C	
									IN	MM	IN	MM	IN	MM	
H23A383ABC	50	1.5	78.0	35.5	82.5	37.5	35/440	145-175/250	3ARR3*4A*	12.5	317.2	14.6	371.3	14.9	378.4
H23A423ABC	50	1.5	78.0	35.5	82.5	37.5	40/440	145-175/250	3ARR3*4A*	12.5	317.2	14.6	371.3	14.9	378.4
H23A463ABC	55	1.6	81.0	36.8	85.5	38.9	40/440	135-155/330	3ARR3*4A*	12.5	317.2	14.6	371.3	14.9	378.4
H23A503ABC	55	1.6	87.5	39.8	92.0	41.8	40/440	135-155/330	3ARR3*4A*	14.0	355.3	16.1	409.4	16.4	416.5
H23A543ABC	55	1.6	87.5	39.8	92.0	41.8	45/440	135-155/330	3ARR3*4A*	14.0	355.3	16.1	409.4	16.4	416.5
H23A563ABC	55	1.6	91.0	41.4	95.5	43.4	55/440	135-155/330	3ARR3*6U*	14.0	355.3	16.1	409.4	16.4	416.5
H23A623ABC	55	1.6	93.0	42.3	97.5	44.3	55/440	135-155/330	3ARR3*4A*	14.0	355.3	16.1	409.4	16.4	416.5
H23A423DBL	50	1.5	74.0	33.6	78.5	35.7	-Not Req'd	-Not Req'd	-Not Req'd	12.5	317.2	14.6	371.3	14.9	378.4
H23A463DBL	50	1.5	74.0	33.6	78.5	35.7	-Not Req'd	-Not Req'd	-Not Req'd	12.5	317.2	14.6	371.3	14.9	378.4
H23A503DBL	55	1.6	74.0	33.6	78.5	35.7	-Not Req'd	-Not Req'd	-Not Req'd	12.5	317.2	14.6	371.3	14.9	378.4
H23A543DBL	55	1.6	79.5	36.1	84.0	38.2	-Not Req'd	-Not Req'd	-Not Req'd	14.0	355.3	16.1	409.4	16.4	416.5
H23A543DBL	55	1.6	79.5	36.1	84.0	38.2	-Not Req'd	-Not Req'd	-Not Req'd	14.0	355.3	16.1	409.4	16.4	416.5
H23A563DBL	55	1.6	83.0	37.7	87.5	39.8	-Not Req'd	-Not Req'd	-Not Req'd	14.0	355.3	16.1	409.4	16.4	416.5
H23A623DBL	55	1.6	83.0	37.7	87.5	39.8	-Not Req'd	-Not Req'd	-Not Req'd	14.0	355.3	16.1	409.4	16.4	416.5
H23A423DBW	50	1.5	79.0	35.9	82.0	37.3	-Not Req'd	-Not Req'd	-Not Req'd	12.5	317.2	14.6	371.3	14.9	378.4
H23A383DBE	50	1.5	74.0	33.6	78.5	35.7	-Not Req'd	-Not Req'd	-Not Req'd	12.5	317.2	14.6	371.3	14.9	378.4
H23A423DBE	50	1.5	74.0	33.6	78.5	35.7	-Not Req'd	-Not Req'd	-Not Req'd	12.5	317.2	14.6	371.3	14.9	378.4
H23A463DBE	55	1.6	74.0	33.6	78.5	35.7	-Not Req'd	-Not Req'd	-Not Req'd	12.5	317.2	14.6	371.3	14.9	378.4
H23A503DBE	55	1.6	79.5	36.1	84.0	38.2	-Not Req'd	-Not Req'd	-Not Req'd	14.0	355.3	16.1	409.4	16.4	416.5
H23A543DBE	55	1.6	79.5	36.1	84.0	38.2	-Not Req'd	-Not Req'd	-Not Req'd	14.0	355.3	16.1	409.4	16.4	416.5
H23A563DBE	55	1.6	83.0	37.7	87.5	39.8	-Not Req'd	-Not Req'd	-Not Req'd	14.0	355.3	16.1	409.4	16.4	416.5
H23A583DBE	55	1.6	83.0	37.7	87.5	39.8	-Not Req'd	-Not Req'd	-Not Req'd	14.0	355.3	16.1	409.4	16.4	416.5
H23A623DBE	55	1.6	83.0	37.7	87.5	39.8	-Not Req'd	-Not Req'd	-Not Req'd	14.0	355.3	16.1	409.4	16.4	416.5
H23A423DBF	50	1.5	74.0	33.6	78.5	35.7	-Not Req'd	-Not Req'd	-Not Req'd	12.5	317.2	14.6	371.3	14.9	378.4
H23A463DBF	55	1.6	74.0	33.6	78.5	35.7	-Not Req'd	-Not Req'd	-Not Req'd	12.5	317.2	14.6	371.3	14.9	378.4
H23A563DBF	55	1.6	83.0	37.7	87.5	39.8	-Not Req'd	-Not Req'd	-Not Req'd	14.0	355.3	16.1	409.4	16.4	416.5
H23A623DBF	55	1.6	83.0	37.7	87.5	39.8	-Not Req'd	-Not Req'd	-Not Req'd	14.0	355.3	16.1	409.4	16.4	416.5

H23A SERIES



Model	@45/130					@45/100		
	Capacity		Motor Input	EER/COP		Capacity	Motor Input	EER
	BTU/H	WATTS		BTU/WH	W/W			

Electrical Data			Displacement	
RLA	LRA	MCC	IN ³ /REV	CM ³ /REV

220/240 VOLTS - 1 Phase

H23A383ABK	32400	9507	3220	10.1	3.0	41961	2644	15.9
H23A423ABK	35000	10270	3420	10.2	3.0	44757	2810	15.9
H23A463ABK	39400	11561	3745	10.5	3.1	50071	2991	16.7

15.5	82	28.0	4.05	66.34
17.0	90	28.0	4.43	72.56
18.8	100	33.0	4.75	77.81

220/200 VOLTS - 3 Phase

H23A383DBL	32000	9389	3140	10.2	3.0	41440	2544	16.3
H23A423DBL	35500	10416	3390	10.5	3.1	45414	2754	16.5
H23A463DBL	39700	11649	3850	10.3	3.0	50179	3173	15.8
H23A503DBL	42380	12435	4310	9.8	2.9	55352	3506	15.8
H23A543DBL	46500	13644	4580	10.2	3.0	59658	3808	15.7
H23A563DBL	47500	13938	4640	10.2	3.0	60910	3839	15.9
H23A623DBL	52300	15346	5100	10.3	3.0	67283	4247	15.8

10.7	76	20.0	4.05	66.34
11.2	78	20.0	4.43	72.56
12.7	90	24.0	4.75	77.81
14.7	106	25.0	5.17	84.68
15.1	106	25.0	5.55	90.91
16.0	124	30.0	5.66	92.71
18.0	124	32.0	6.17	101.06

380/415 VOLTS - 3 Phase

H23A383DBE	31410	9216	3050	10.3	3.0	40665	2471	16.5
H23A423DBE	35200	10328	3430	10.3	3.0	45031	2786	16.2
H23A463DBE	39000	11443	3820	10.2	3.0	49287	3152	15.6
H23A503DBE	42200	12382	4210	10.0	2.9	55090	3423	16.1
H23A543DBE	45925	13475	4440	10.3	3.0	58889	3684	16.0
H23A563DBE	47500	13938	4560	10.4	3.1	60910	3769	16.2
H23A583DBE	49200	14400	4650	10.6	3.1	62900	3736	16.9
H23A623DBE	51800	15199	5000	10.4	3.0	66639	4164	16.0

5.2	39	9.5	4.05	66.34
5.8	39	9.5	4.43	72.56
6.3	45	13.0	4.75	77.81
6.6	53	12.5	5.17	84.68
7.2	53	12.5	5.55	90.91
7.5	62	14.0	5.66	92.71
7.7	62	15.0	5.92	97.06
8.2	62	16.0	6.17	101.06

500 VOLTS - 3 Phase

H23A423DBF	35200	10328	3430	10.3	3.0	45008	2804	16.1
H23A563DBF	47500	13938	4560	10.4	3.1	60910	3769	16.2
H23A623DBF	51800	15199	5000	10.4	3.0	66639	4164	16.0

4.6	36	8.0	4.43	72.56
6.1	50	12.0	5.66	92.71
6.5	50	13.0	6.17	101.06

*Data Subject to Revision

Model	Oil Charge		Weight				ELECTRICAL START COMPONENTS			DIMENSIONS					
							Run Capacitor	Start Capacitor	G.E. Relay	*DIAGRAMS FOUND ON PAGE 34					
	OZ	L	Lbs	Kg	Lbs	Kg	MFD/VOLTS	MFD/VOLTS		A		B		C	
									IN	MM	IN	MM	IN	MM	
H23A383ABK	50	1.5	78.0	35.5	82.5	37.5	35/440	145-175/330	3ARR3*4AA*	12.5	317.2	14.6	371.3	14.9	378.4
H23A423ABK	50	1.5	78.0	35.5	82.5	37.5	40/440	145-175/330	3ARR3*27AA*	12.5	317.2	14.6	371.3	14.9	378.4
H23A463ABK	55	1.6	85.0	38.6	89.5	40.7	40/440	145-175/330	3ARR3*4AA*	12.5	317.2	14.6	371.3	14.9	378.4
H23A383DBL	50	1.5	74.0	33.6	78.5	35.7	-Not Req'd	-Not Req'd	-Not Req'd	12.5	317.2	14.6	371.3	14.9	378.4
H23A463DBL	50	1.5	74.0	33.6	78.5	35.7	-Not Req'd	-Not Req'd	-Not Req'd	12.5	317.2	14.6	371.3	14.9	378.4
H23A463DBL	55	1.6	74.0	33.6	78.5	35.7	-Not Req'd	-Not Req'd	-Not Req'd	12.5	317.2	14.6	371.3	14.9	378.4
H23A503DBL	55	1.6	79.5	36.1	84.0	38.2	-Not Req'd	-Not Req'd	-Not Req'd	14.0	355.3	16.1	409.4	16.4	416.5
H23A543DBL	55	1.6	79.5	36.1	84.0	38.2	-Not Req'd	-Not Req'd	-Not Req'd	14.0	355.3	16.1	409.4	16.4	416.5
H23A563DBL	55	1.6	83.0	37.7	87.5	39.8	-Not Req'd	-Not Req'd	-Not Req'd	14.0	355.3	16.1	409.4	16.4	416.5
H23A623DBL	55	1.6	83.0	37.7	87.5	39.8	-Not Req'd	-Not Req'd	-Not Req'd	14.0	355.3	16.1	409.4	16.4	416.5
H23A383DBE	50	1.5	74.0	33.6	78.5	35.7	-Not Req'd	-Not Req'd	-Not Req'd	12.5	317.2	14.6	371.3	14.9	378.4
H23A423DBE	50	1.5	74.0	33.6	78.5	35.7	-Not Req'd	-Not Req'd	-Not Req'd	12.5	317.2	14.6	371.3	14.9	378.4
H23A463DBE	55	1.6	74.0	33.6	78.5	35.7	-Not Req'd	-Not Req'd	-Not Req'd	12.5	317.2	14.6	371.3	14.9	378.4
H23A503DBE	55	1.6	79.5	36.1	84.0	38.2	-Not Req'd	-Not Req'd	-Not Req'd	14.0	355.3	16.1	409.4	16.4	416.5
H23A543DBE	55	1.6	79.5	36.1	84.0	38.2	-Not Req'd	-Not Req'd	-Not Req'd	14.0	355.3	16.1	409.4	16.4	416.5
H23A563DBE	55	1.6	83.0	37.7	87.5	39.8	-Not Req'd	-Not Req'd	-Not Req'd	14.0	355.3	16.1	409.4	16.4	416.5
H23A583DBE	55	1.6	83.0	37.7	87.5	39.8	-Not Req'd	-Not Req'd	-Not Req'd	14.0	355.3	16.1	409.4	16.4	416.5
H23A623DBE	55	1.6	83.0	37.7	87.5	39.8	-Not Req'd	-Not Req'd	-Not Req'd	14.0	355.3	16.1	409.4	16.4	416.5
H23A423DBF	50	1.5	74.0	33.6	78.5	35.7	-Not Req'd	-Not Req'd	-Not Req'd	12.5	317.2	14.6	371.3	14.9	378.4
H23A563DBF	55	1.6	83.0	37.7	87.5	39.8	-Not Req'd	-Not Req'd	-Not Req'd	14.0	355.3	16.1	409.4	16.4	416.5
H23A623DBF	55	1.6	83.0	37.7	87.5	39.8	-Not Req'd	-Not Req'd	-Not Req'd	14.0	355.3	16.1	409.4	16.4	416.5

H79A SERIES (R407C)

Model	@45/130					@45/100			Electrical Data			Displacement	
	Capacity		Motor Input	EER/COP		Capacity	Motor Input	EER					
	BTU/H	WATTS		BTU/WH	W/W				BTU/H	WATTS	BTU/WH		
380/415 VOLTS - 3 Phase													
H79A383DBV	29480	8638	2740	10.8	3.2	36948	2137	17.3	4.8	54	11.0	4.15	67.92
H79A423DBV	33900	9933	3050	11.1	3.3	43063	2374	18.1	5.9	67	12.0	4.49	73.51
H79A473DBV	37170	10891	3360	11.1	3.2	45196	2533	17.8	5.5	64	11.0	4.94	80.92
H79A503DBV	34618	10158	3217	10.8	3.2	48258	2620	18.4	5.8	62	13.0	5.14	84.18
H79A563DBV	44800	13126	3960	11.3	3.3	53050	2960	17.9	7.0	79	15.5	5.70	93.39
H79A623DBV	50100	14679	4410	11.4	3.3	59094	3287	18.0	7.9	76	18.0	6.03	98.85
H79A723DBV	59500	17434	5470	10.9	3.2	66411	4104	16.2	9.6	79	14.0	7.15	117.12



H79A SERIES (R407C)

460/380 VOLTS - 3 Phase													
H79A383DBV	36700	10753	3270	11.2	3.3	45271	2553	17.7	4.8	54	10.5	4.15	67.92
H79A423DBV	42520	12458	3770	11.3	3.3	51697	2844	18.2	5.6	64	12.0	4.49	73.51
H79A473DBV	45520	13337	4060	11.2	3.3	57380	3190	18.0	6.3	64	12.0	4.94	80.92
H79A503DBV	43720	12828	4120	10.6	3.1	59030	3300	17.9	6.6	69	12.0	5.14	84.19
H79A563DBV	54300	15910	4800	11.3	3.3	63000	3640	17.3	7.0	75	15.5	5.70	93.39
H79A723DBV	70570	20677	6620	10.7	3.1	79800	5040	15.8	9.4	84	16.0	6.28	102.96

*Data Subject to Revision

50 HZ

Model	Oil Charge		Weight				ELECTRICAL START COMPONENTS			DIMENSIONS					
							Run Capacitor	Start Capacitor	G.E. Relay	*DIAGRAMS FOUND ON PAGE 35					
	OZ	L	Net Lbs	Net Kg	Ship Lbs	Ship Kg				MFD/VOLTS	MFD/VOLTS	MFD/VOLTS	A		B
									IN	MM	IN	MM	IN	MM	
H79A383DBV	65	1.9	94.0	42.6	98.5	44.7	-Not Req'd	-Not Req'd	-Not Req'd	14.0	355.2	16.1	409.2	16.4	416.3
H79A423DBV	65	1.9	94.0	42.6	98.5	44.7	-Not Req'd	-Not Req'd	-Not Req'd	15.3	386.9	17.4	440.9	17.7	448.8
H79A473DBV	65	1.9	94.5	42.9	98.5	44.7	-Not Req'd	-Not Req'd	-Not Req'd	15.3	386.9	17.4	440.9	17.7	448.8
H79A503DBV	65	1.9	100.5	45.7	104.5	47.5	-Not Req'd	-Not Req'd	-Not Req'd	15.2	387.0	17.4	441.1	17.7	449.0
H79A563DBV	65	1.9	105.5	47.9	109.5	49.7	-Not Req'd	-Not Req'd	-Not Req'd	15.3	386.9	17.4	440.9	17.7	448.8
H79A623DBV	65	1.9	105.0	47.6	109.5	49.7	-Not Req'd	-Not Req'd	-Not Req'd	15.3	386.9	17.4	440.9	17.7	448.8
H79A723DBV	65	1.9	105.0	47.6	109.5	49.7	-Not Req'd	-Not Req'd	-Not Req'd	15.3	386.9	17.4	440.9	17.7	448.8

60 HZ

H79A383DBV	65	1.9	94.0	42.6	98.5	44.7	-Not Req'd	-Not Req'd	-Not Req'd	14.0	355.2	16.1	409.2	16.4	416.3
H79A423DBV	65	1.9	94.0	42.6	98.5	44.7	-Not Req'd	-Not Req'd	-Not Req'd	15.3	386.9	17.4	440.9	17.7	448.8
H79A473DBV	65	1.9	94.5	42.9	98.5	44.7	-Not Req'd	-Not Req'd	-Not Req'd	15.3	386.9	17.4	440.9	17.7	448.8
H79A503DBV	65	1.9	100.5	45.7	104.5	47.5	-Not Req'd	-Not Req'd	-Not Req'd	15.3	386.9	17.4	440.9	17.7	448.8
H79A563DBV	65	1.9	105.5	47.9	109.5	49.7	-Not Req'd	-Not Req'd	-Not Req'd	15.3	386.9	17.4	440.9	17.7	448.8
H79A723DBV	65	1.9	105.0	47.6	109.5	49.7	-Not Req'd	-Not Req'd	-Not Req'd	15.3	386.9	17.4	440.9	17.7	448.8

H73A SERIES (R407C)



Model	@45/130					@45/100		
	Capacity		Motor Input	EER/COP		Capacity	Motor Input	EER
	BTU/H	WATTS		BTU/WH	W/W			

Electrical Data			Displacement	
RLA	LRA	MCC	IN ³ /REV	CM ³ /REV

220/240 VOLTS - 1 Phase

H73A383ABK	27579	8092	2910	9.5	2.8	38091	2494	15.3
H73A423ABK	29782	8739	3091	9.6	2.8	40629	2650	15.3
H73A463ABK	33398	9800	3401	9.8	2.9	45457	2822	16.1

15.5	82	28	4.04	66.18
16.7	90	28	4.43	72.56
18.8	101	33	4.75	77.81

220/200 VOLTS - 3 Phase

H73A383DBL	27237	7992	2834	9.6	2.8	37618	2399	15.7
H73A423DBL	30220	8867	3063	9.9	2.9	41226	2597	15.9
H73A463DBL	33608	9861	3500	9.6	2.8	45556	2990	15.2
H73A503DBL	36086	10588	3900	9.3	2.7	50240	3307	15.2
H73A543DBL	39647	11633	4173	9.5	2.8	54155	3589	15.1
H73A563DBL	40419	11860	4201	9.6	2.8	55281	3617	15.3
H73A623DBL	44475	13050	4637	9.6	2.8	61093	4003	15.3

10.7	82	20	4.04	66.18
11.2	82	20	4.43	72.56
12.7	90	24	4.75	77.81
14.7	106	25	5.17	84.68
15.1	106	25	5.55	90.91
15.9	124	30	5.66	92.71
18.0	124	32	6.17	101.06

380/415 VOLTS - 3 Phase

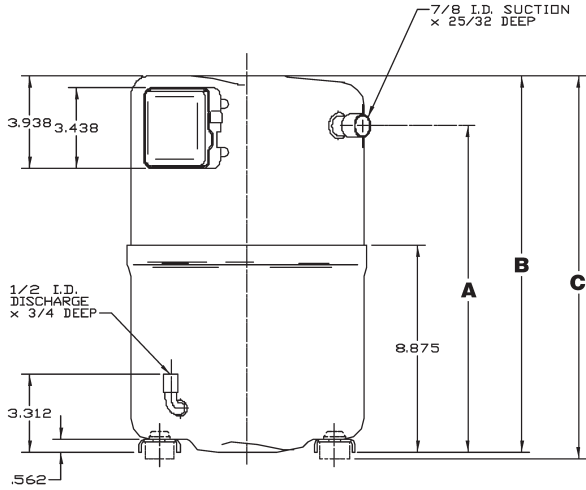
H73A383DBE	26728	7843	2753	9.7	2.8	36914	2331	15.8
H73A423DBE	29965	8792	3099	9.7	2.8	40879	2628	15.6
H73A463DBE	33012	9686	3477	9.5	2.8	44747	2971	15.1
H73A503DBE	35932	10543	3806	9.4	2.8	49987	3230	15.5
H73A543DBE	39136	11483	4038	9.7	2.8	53458	3472	15.4
H73A563DBE	40441	11866	4122	9.8	2.9	55262	3552	15.6
H73A623DBE	44050	12925	4547	9.7	2.8	60508	3925	15.4

5.2	39	10	4.04	66.18
5.8	39	10	4.43	72.56
6.3	45	13	4.75	77.81
6.7	53	13	5.17	84.68
7.2	53	13	5.55	90.91
7.5	62	14	5.66	92.71
8.2	62	16	6.17	101.06

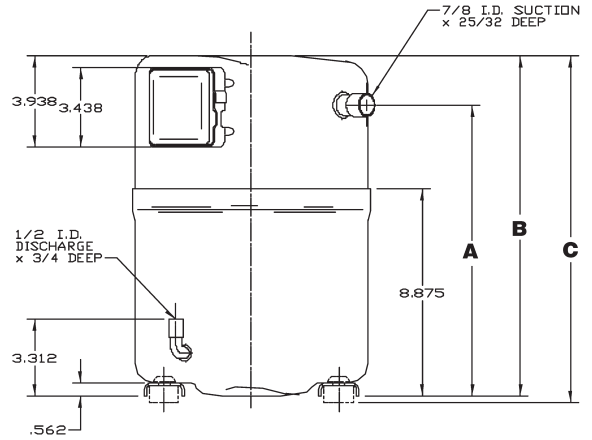
*Data Subject to Revision

Model	Oil Charge		Weight				ELECTRICAL START COMPONENTS			DIMENSIONS					
							Run Capacitor	Start Capacitor	G.E. Relay	*DIAGRAMS FOUND ON PAGE 35					
	OZ	L	Lbs	Kg	Lbs	Kg	MFD/VOLTS	MFD/VOLTS		A		B		C	
									IN	MM	IN	MM	IN	MM	
H73A383ABK	50	1.5	78.0	35.5	82.5	37.5	35/440	145-175/330	3ARR3*4AA*	12.5	317.2	14.6	371.3	14.9	378.4
H73A423ABK	50	1.5	78.0	35.5	82.5	37.5	40/440	145-175/330	3ARR3*27AA*	12.5	317.2	14.6	371.3	14.9	378.4
H73A463ABK	55	1.6	85.0	38.6	89.5	40.7	40/440	145-175/330	3ARR3*4AA*	14.0	355.3	16.1	409.4	16.4	416.5
H73A383DBL	50	1.5	74.0	33.6	78.5	35.7	-Not Req'd	-Not Req'd	-Not Req'd	12.5	317.2	14.6	371.3	14.9	378.4
H73A423DBL	50	1.5	74.0	33.6	78.5	35.7	-Not Req'd	-Not Req'd	-Not Req'd	12.5	317.2	14.6	371.3	14.9	378.4
H73A463DBL	55	1.6	74.0	33.6	78.5	35.7	-Not Req'd	-Not Req'd	-Not Req'd	14.0	355.3	16.1	409.4	16.4	416.5
H73A503DBL	55	1.6	79.5	36.1	84.0	38.2	-Not Req'd	-Not Req'd	-Not Req'd	14.0	355.3	16.1	409.4	16.4	416.5
H73A543DBL	55	1.6	79.5	36.1	84.0	38.2	-Not Req'd	-Not Req'd	-Not Req'd	14.0	355.3	16.1	409.4	16.4	416.5
H73A563DBL	55	1.6	83.0	37.7	87.5	39.8	-Not Req'd	-Not Req'd	-Not Req'd	14.0	355.3	16.1	409.4	16.4	416.5
H73A623DBL	55	1.6	83.0	37.7	87.5	39.8	-Not Req'd	-Not Req'd	-Not Req'd	14.0	355.3	16.1	409.4	16.4	416.5
H73A383DBE	50	1.5	74.0	33.6	78.5	35.7	-Not Req'd	-Not Req'd	-Not Req'd	12.5	317.2	14.6	371.3	14.9	378.4
H73A423DBE	50	1.5	74.0	33.6	78.5	35.7	-Not Req'd	-Not Req'd	-Not Req'd	12.5	317.2	14.6	371.3	14.9	378.4
H73A463DBE	55	1.6	74.0	33.6	78.5	35.7	-Not Req'd	-Not Req'd	-Not Req'd	14.0	355.3	16.1	409.4	16.4	416.5
H73A503DBE	55	1.6	79.5	36.1	84.0	38.2	-Not Req'd	-Not Req'd	-Not Req'd	14.0	355.3	16.1	409.4	16.4	416.5
H73A543DBE	55	1.6	79.5	36.1	84.0	38.2	-Not Req'd	-Not Req'd	-Not Req'd	14.0	355.3	16.1	409.4	16.4	416.5
H73A563DBE	55	1.6	83.0	37.7	87.5	39.8	-Not Req'd	-Not Req'd	-Not Req'd	14.0	355.3	16.1	409.4	16.4	416.5
H73A623DBE	55	1.6	83.0	37.7	87.5	39.8	-Not Req'd	-Not Req'd	-Not Req'd	14.0	355.3	16.1	409.4	16.4	416.5

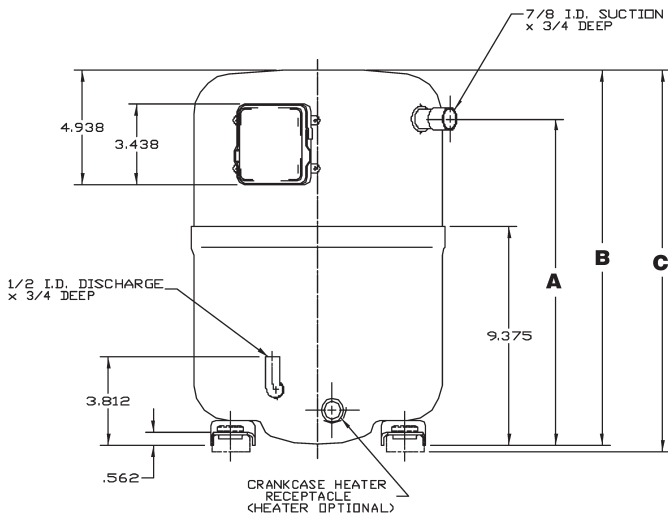
A FAMILY



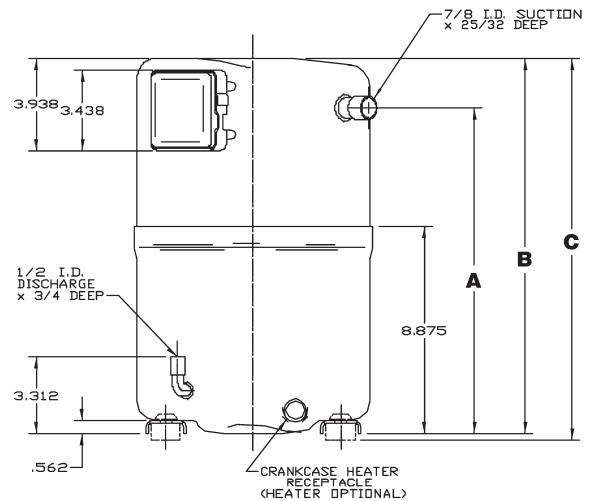
H23A



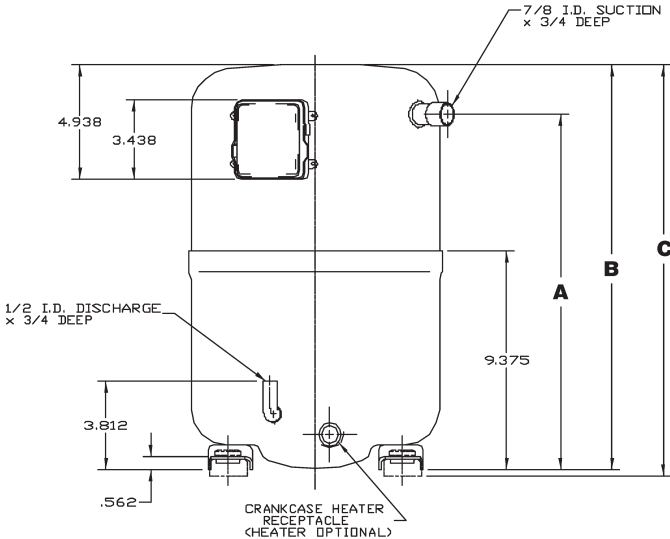
H24A



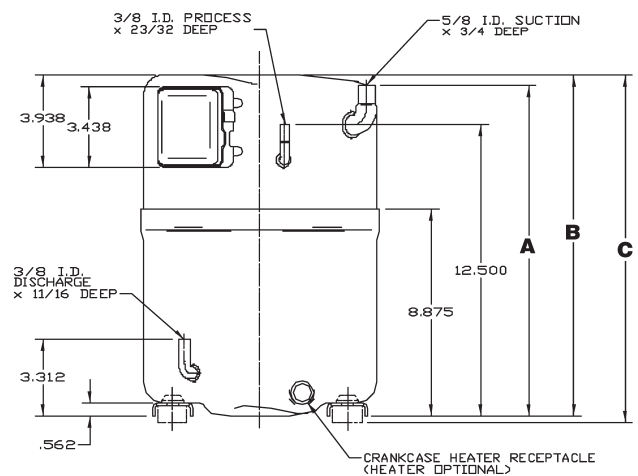
H25A, H26A, H27A



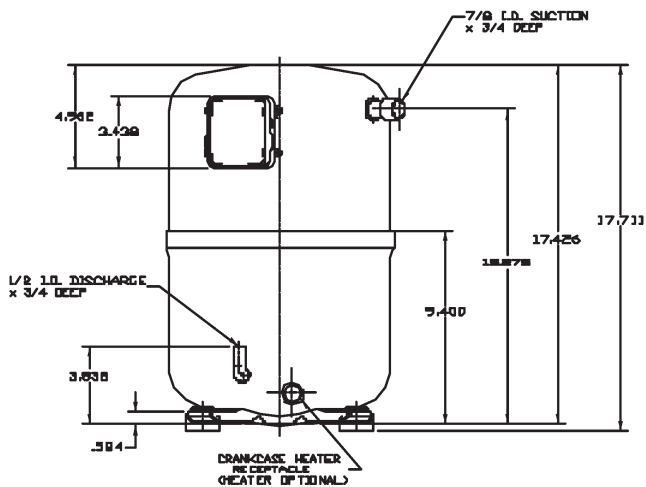
H28A & H78A



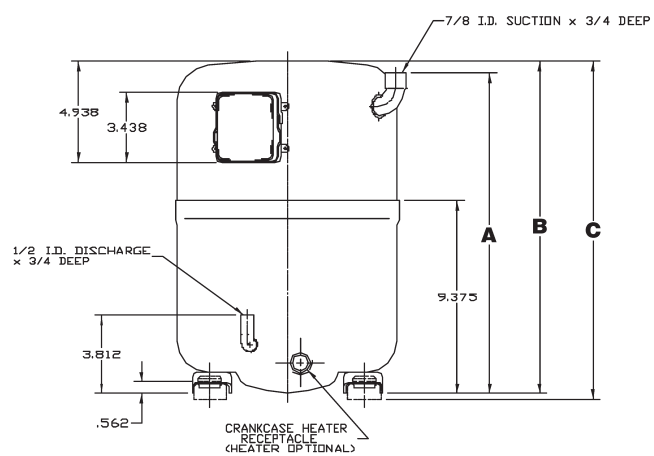
H29A & T29A



H73A



H89A

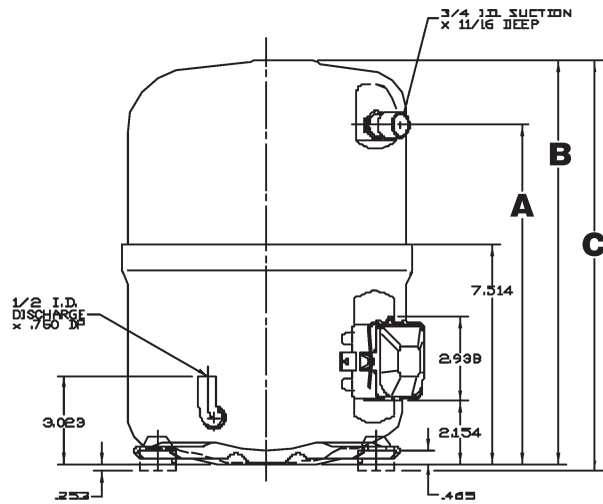


H79A



T89B SERIES (R410A)

Model	@45/130					@45/100			Electrical Data			Displacement		
	Capacity		Motor Input	EER/COP		Capacity	Motor Input	EER						RLA
	BTU/H	WATTS		BTU/WH	W/W				BTU/H	WATTS	BTU/WH			
230/208 VOLTS - 1 Phase														
T89B194CBC-1	7495	2199	920	8.1	2.4	11363	789	14.4	3.9	33	8.3	0.73	11.96	
T89B194CBC-2	18525	5436	2005	9.2	2.7	26176	1579	16.6	8.8	64	16.6	1.66	27.19	
T89B264CBC-1	8950	2626	1090	8.2	2.4	13523	905	14.9	5.2	39	9.5	0.84	13.76	
T89B264CBC-2	25550	7497	2700	9.5	2.8	36076	2179	16.6	12.0	66	19.5	2.11	34.56	
T89B284CBC-1	10630	3119	1205	8.8	2.6	15991	1016	15.7	6.0	39	10.0	0.93	15.23	
T89B284CBC-2	26855	7880	2850	9.4	2.8	38300	2245	17.1	13.6	66	22.0	2.19	35.87	
T89B364CBC-1	16600	4871	1860	8.9	2.6	23439	1492	15.7	8.5	49	12.0	1.31	21.46	
T89B364CBC-2	35400	10387	3745	9.5	2.8	48734	2935	16.6	17.0	96	28.0	2.74	44.88	
T89B385CBC-1	18635	5468	2045	9.1	2.7	25586	1612	15.9	9.0	49	13.1	1.42	23.26	
T89B385CBC-2	37155	10902	3895	9.5	2.8	51485	3135	16.4	17.5	96	31.0	2.85	46.68	



T89B



Model	Oil Charge		Weight				ELECTRICAL START COMPONENTS			DIMENSIONS					
							Run Capacitor	Start Capacitor	Kickstart	*DIAGRAMS FOUND ON PAGES 36					
	OZ	L	Lbs	Kg	Lbs	Kg	MFD/VOLTS	MFD/VOLTS	Part No.	A		B		C	
									IN	MM	IN	MM	IN	MM	
T89B194CBC-1	40	1.2	77	35.0	80.5	36.6	25/440	216-259/330	KSTS216	12.1	308.1	14.3	363.9	14.6	370.3
T89B194CBC-2	40	1.2	77	35.0	80.5	36.6	25/440	216-259/330	KSTS216	12.1	308.1	14.3	363.9	14.6	370.3
T89B264CBC-1	40	1.2	77	35.0	80.5	36.6	45/440	216-259/330	KSTS216	12.1	308.1	14.3	363.9	14.6	370.3
T89B264CBC-2	40	1.2	77	35.0	80.5	36.6	45/440	216-259/330	KSTS216	12.1	308.1	14.3	363.9	14.6	370.3
T89B284CBC-1	40	1.2	77	35.0	80.5	36.6	45/440	238-262/330	KSTS238	12.1	308.1	14.3	363.9	14.6	370.3
T89B284CBC-2	40	1.2	77	35.0	80.5	36.6	45/440	238-262/330	KSTS238	12.1	308.1	14.3	363.9	14.6	370.3
T89B364CBC-1	40	1.2	77	35.0	80.5	36.6	55/440	243-292/330	KSTS243	12.1	308.1	14.3	363.9	14.6	370.3
T89B364CBC-2	40	1.2	77	35.0	80.5	36.6	55/440	243-292/330	KSTS243	12.1	308.1	14.3	363.9	14.6	370.3
T89B385CBC-1	40	1.2	77	35.0	80.5	36.6	55/440	238-262/330	KSTS238	12.1	308.1	14.3	363.9	14.6	370.3
T89B385CBC-2	40	1.2	77	35.0	80.5	36.6	55/440	238-262/330	KSTS238	12.1	308.1	14.3	363.9	14.6	370.3

H25G SERIES

Model	@45/130					@45/100		
	Capacity		Motor Input	EER/COP		Capacity	Motor Input	EER
	BTU/H	WATTS		BTU/WH	W/W			
230/208 VOLTS - 3 Phase								
H25G094DBD	90500	26555	8380	10.8	3.2	114778	6162	18.6
H25G104DBD	102000	29929	9445	10.8	3.2	125877	6866	18.3
H25G124DBD	118000	34624	11030	10.7	3.1	151352	9118	16.6
H25G144DBD	140000	41079	13860	10.1	3.0	181781	11514	15.8
460/380 VOLTS - 3 Phase								
H25G094DBV	90500	26555	8380	10.8	3.2	114778	6162	18.6
H25G104DBV	102000	29929	9445	10.8	3.2	125877	6866	18.3
H25G124DBV	118000	34624	11030	10.7	3.1	151352	9118	16.6
460 VOLTS - 3 Phase								
H25G144DBE	140000	41079	13860	10.1	3.0	181781	11514	15.8



Electrical Data			Displacement	
RLA	LRA	MCC	IN ³ /REV	CM ³ /REV
25.2	190	41.0	9.99	163.70
29.8	228	52.0	11.19	183.29
35.2	264	58.0	12.61	206.57
43.1	252	69.0	15.05	246.47
12.6	95	20.5	9.99	163.70
15.0	115	26.0	11.19	183.29
17.6	129	29.5	12.61	206.57
21.6	126	34.5	15.05	246.47

H25G SERIES

220/200 VOLTS - 3 Phase								
H25G094DBD	75417	22129	6983	10.8	3.2	95649	5135	18.6
H25G104DBD	85000	24941	7871	10.8	3.2	104697	5705	18.4
H25G124DBD	98333	28853	9192	10.7	3.1	126126	7599	16.6
H25G144DBD	116667	34233	11550	10.1	3.0	151485	9595	15.8
380/415 VOLTS - 3 Phase								
H25G094DBV	75417	22129	6983	10.8	3.2	95649	5135	18.6
H25G104DBV	85000	24941	7871	10.8	3.2	104697	5705	18.4
H25G124DBV	98333	28853	9192	10.7	3.1	126126	7599	16.6

25.2	190	41.0	9.99	163.70
29.8	228	52.0	11.19	183.29
35.2	264	58.0	12.61	206.57
43.1	252	69.0	15.05	246.47
12.6	95	20.5	9.99	163.70
15.0	115	26.0	11.19	183.29
17.6	129	29.5	12.61	206.57

*Data Subject to Revision

60 HZ

Model	Oil Charge		Weight				ELECTRICAL START COMPONENTS			DIMENSIONS					
							Run Capacitor	Start Capacitor	G.E. Relay	*DIAGRAMS FOUND ON PAGE 58					
	OZ	L	Net Lbs	Net Kg	Ship Lbs	Ship Kg	MFD/VOLTS	MFD/VOLTS		A		B		C	
									IN	MM	IN	MM	IN	MM	
H25G094DBD	96	2.8	146	66.4	155	70.5	-Not Req'd	-Not Req'd	-Not Req'd	9.0	228.4	18.3	465.5	18.7	473.6
H25G104DBD	96	2.8	154	70.0	163	74.1	-Not Req'd	-Not Req'd	-Not Req'd	9.0	228.4	19.6	496.9	19.9	505.1
H25G124DBD	96	2.8	164	74.5	173	78.6	-Not Req'd	-Not Req'd	-Not Req'd	9.0	228.4	20.3	516.0	20.6	524.1
H25G144DBD	96	2.8	167	75.9	176	80.0	-Not Req'd	-Not Req'd	-Not Req'd	9.0	228.4	20.6	522.3	20.9	530.4
H25G094DBV	96	2.8	146	66.4	155	70.5	-Not Req'd	-Not Req'd	-Not Req'd	9.0	228.4	20.3	516.0	20.6	524.1
H25G104DBV	96	2.8	154	70.0	163	74.1	-Not Req'd	-Not Req'd	-Not Req'd	9.0	228.4	20.3	516.0	20.6	524.1
H25G124DBV	96	2.8	164	74.5	173	78.6	-Not Req'd	-Not Req'd	-Not Req'd	9.0	228.4	20.3	516.0	20.6	524.1
H25G144DBE	96	2.8	167	75.9	176	80.0	-Not Req'd	-Not Req'd	-Not Req'd	9.0	228.4	20.6	522.3	20.9	530.4

50 HZ

H25G094DBD	96	2.8	146	66.4	155	70.5	-Not Req'd	-Not Req'd	-Not Req'd	9.0	228.4	18.3	465.5	18.7	473.6
H25G104DBD	96	2.8	154	70.0	163	74.1	-Not Req'd	-Not Req'd	-Not Req'd	9.0	228.4	19.6	496.9	19.9	505.1
H25G124DBD	96	2.8	164	74.5	173	78.6	-Not Req'd	-Not Req'd	-Not Req'd	9.0	228.4	20.3	516.0	20.6	524.1
H25G144DBD	96	2.8	167	75.9	176	80.0	-Not Req'd	-Not Req'd	-Not Req'd	9.0	228.4	20.6	522.3	20.9	530.4
H25G094DBV	96	2.8	146	66.4	155	70.5	-Not Req'd	-Not Req'd	-Not Req'd	9.0	228.4	18.3	465.5	18.7	473.6
H25G104DBV	96	2.8	154	70.0	163	74.1	-Not Req'd	-Not Req'd	-Not Req'd	9.0	228.4	19.6	496.9	19.9	505.1
H25G124DBV	96	2.8	164	74.5	173	78.6	-Not Req'd	-Not Req'd	-Not Req'd	9.0	228.4	20.3	516.0	20.6	524.1

H75G SERIES (R407C)

Model	@45/130					@45/100		
	Capacity		Motor Input	EER/COP		Capacity	Motor Input	EER
	BTU/H	WATTS		BTU/WH	W/W			
460 VOLTS - 3 Phase								
H75G094DBE	79985	23469	7792	10.3	3.0	125015	6555	19.1
H75G124DBE	107851	31646	10221	10.6	3.1	160284	8472	18.9
H75G144DBE	141100	41400	13980	10.1	3.0	137300	11240	12.2

H75G SERIES (R407C)

380/415 VOLTS - 3 Phase								
H75G094DBE	66654	19558	6493	10.3	3.0	104179	5463	19.1
H75G124DBE	89876	26372	8517	10.6	3.1	133570	7060	18.9
H75G144DBE	107258	31472	10765	10.0	2.9	164385	9365	17.6

H2BG SERIES

230/208 VOLTS - 3 Phase								
H2BG094DBD	88700	26026	8580	10.3	3.0	118016	6912	17.1
H2BG104DBD	103900	30486	10025	10.4	3.0	130782	8057	16.2
H2BG124DBD	121500	35651	12030	10.1	3.0	156344	9923	15.8

460 VOLTS - 3 Phase								
H2BG094DBE	88700	26026	8580	10.3	3.0	118016	6912	17.1
H2BG104DBE	103900	30486	10025	10.4	3.0	130782	8057	16.2
H2BG124DBE	119000	34917	12010	9.9	2.9	118445	6946	17.1

575 VOLTS - 3 Phase								
H2BG094DBF	88200	25879	8600	10.3	3.0	118500	6950	17.1
H2BG124DBF	119000	34916	12050	9.9	2.9	156900	9800	16.0

H2BG SERIES

220/200 - 3 Phase								
H2BG094DBD	72400	21244	7020	10.3	3.0	114231	6707	17.0
H2BG104DBD	84390	24762	8155	10.3	3.0	114231	6707	17.0
H2BG124DBD	100000	29342	9800	10.2	3.0	130286	8167	16.0

380/415 - 3 Phase								
H2BG094DBE	72400	21244	7020	10.3	3.0	100323	5789	17.3
H2BG104DBE	84390	24762	8155	10.3	3.0	114231	6707	17.0
H2BG124DBE	97000	28462	9790	9.9	2.9	126417	8058	15.7

*Data Subject to Revision



Electrical Data			Displacement	
RLA	LRA	MCC	IN ³ /REV	CM ³ /REV
12.7	95	20.5	10.22	167.40
17.0	130	33.0	12.61	206.57
21.6	138	34.5	15.05	246.50

12.6	95	20.5	10.22	167.40
17.0	130	33.0	12.61	206.57
21.6	126	34.5	15.05	246.47

24.0	145	40.0	10.22	167.40
29.3	166	45.0	11.63	190.50
36.0	205	56.0	13.40	219.49

12.3	72	19.0	10.22	167.40
14.6	87	22.0	11.63	190.50
17.0	85	25.0	13.40	219.49

10.0	60	14.5	10.22	167.42
13.4	66	20.0	13.40	219.52

23.7	145	34.5	10.22	167.40
29.0	175	42.6	11.63	190.50
36.0	215	51.0	13.40	219.49

12.0	72	18.0	10.22	167.40
14.2	77	20.2	11.63	190.50
16.5	80	25.0	13.40	219.49

60 HZ

Model	Oil Charge		Weight				ELECTRICAL START COMPONENTS			DIMENSIONS					
							Run Capacitor	Start Capacitor	G.E. Relay	*DIAGRAMS FOUND ON PAGE 58					
	OZ	L	Net Lbs	Net Kg	Ship Lbs	Ship Kg				MFD/VOLTS	MFD/VOLTS		A		B
H75G094DBE	96	2.8	146	66.4	155	70.5	-Not Req'd	-Not Req'd	-Not Req'd	9.0	228.4	18.3	465.5	18.7	473.6
H75G124DBE	96	2.8	164	74.5	173	78.6	-Not Req'd	-Not Req'd	-Not Req'd	9.0	228.4	20.3	516.0	20.6	524.1
H75G144DBE	96	2.8	167.0	76.0	176.0	80.1	-Not Req'd	-Not Req'd	-Not Req'd	9.0	228.3	20.6	522.1	20.9	530.2

50 HZ

H75G094DBE	96	2.8	146	66.4	155	70.5	-Not Req'd	-Not Req'd	-Not Req'd	9.0	228.4	18.3	465.5	18.7	473.6
H75G124DBE	96	2.8	164	74.5	173	78.6	-Not Req'd	-Not Req'd	-Not Req'd	9.0	228.4	20.3	516.0	20.6	524.1
H75G144DBE	96	2.8	167	75.9	176	80.0	-Not Req'd	-Not Req'd	-Not Req'd	9.0	228.4	20.6	522.3	20.9	530.4

60 HZ

H2BG094DBD	96	2.8	128	58.2	138	62.7	-Not Req'd	-Not Req'd	-Not Req'd	9	228.4	17.6	446.4	17.9	454.6
H2BG104DBD	96	2.8	144	65.5	153	69.5	-Not Req'd	-Not Req'd	-Not Req'd	9	228.4	18.3	465.5	18.7	473.6
H2BG124DBD	96	2.8	146	66.4	155	70.5	-Not Req'd	-Not Req'd	-Not Req'd	9	228.4	18.3	465.5	18.7	473.6
H2BG094DBE	96	2.8	128	58.2	138	62.7	-Not Req'd	-Not Req'd	-Not Req'd	9	228.4	17.6	446.4	17.9	454.6
H2BG104DBE	96	2.8	144	65.5	153	69.5	-Not Req'd	-Not Req'd	-Not Req'd	9	228.4	18.3	465.5	18.7	473.6
H2BG124DBE	96	2.8	146	66.4	155	70.5	-Not Req'd	-Not Req'd	-Not Req'd	9	228.4	18.3	465.5	18.7	473.6
H2BG094DBF	96	2.8	128.0	58.2	138.0	62.8	-Not Req'd	-Not Req'd	-Not Req'd	9.0	228.3	17.6	446.3	17.9	454.4
H2BG124DBF	96	2.8	146.0	66.4	155.0	70.5	-Not Req'd	-Not Req'd	-Not Req'd	9.0	228.3	18.3	465.3	18.7	473.4

50 HZ

H2BG094DBD	96	2.8	128	58.2	138	62.7	-Not Req'd	-Not Req'd	-Not Req'd	9	228.4	17.6	446.4	17.9	454.6
H2BG104DBD	96	2.8	144	65.5	153	69.5	-Not Req'd	-Not Req'd	-Not Req'd	9	228.4	18.3	465.5	18.7	473.6
H2BG124DBD	96	2.8	146	66.4	155	70.5	-Not Req'd	-Not Req'd	-Not Req'd	9	228.4	18.3	465.5	18.7	473.6
H2BG094DBE	96	2.8	128	58.2	138	62.7	-Not Req'd	-Not Req'd	-Not Req'd	9	228.4	17.6	446.4	17.9	454.6
H2BG104DBE	96	2.8	144	65.5	153	69.5	-Not Req'd	-Not Req'd	-Not Req'd	9	228.4	18.3	465.5	18.7	473.6
H2BG124DBE	96	2.8	146	66.4	155	70.5	-Not Req'd	-Not Req'd	-Not Req'd	9	228.4	18.3	465.5	18.7	473.6

H2NG SERIES



Model	@45/130					@45/100		
	Capacity		Motor Input	EER/COP		Capacity	Motor Input	EER
	BTU/H	WATTS		BTU/WH	W/W			
230/208 VOLTS - 3 Phase								
H2NG184DPD	183200	53755	17740	10.3	3.0	240628	14222	16.9
H2NG204FRD	212400	62323	20870	10.2	3.0	274724	17063	16.1
H2NG244FRD	252900	74206	25400	10.0	2.9	324489	21149	15.3
H2NG294FPD	287300	84300	30370	9.5	2.8	364519	25633	14.2

460 VOLTS - 3 Phase								
H2NG184DPE	183200	53755	17740	10.3	3.0	240628	14222	16.9
H2NG204DRE	212400	62323	20870	10.2	3.0	274724	17063	16.1
H2NG244DRE	252900	74206	25400	10.0	2.9	324489	21149	15.3
H2NG294DPE	287300	84300	30370	9.5	2.8	364523	25633	14.2

575 VOLTS - 3 Phase								
H2NG184DPF	183200	53755	17740	10.3	3.0	240628	14222	16.9
H2NG204DRF	212400	62323	20870	10.2	3.0	274724	17063	16.1
H2NG244DRF	252900	74206	25400	10.0	2.9	324489	21149	15.3
H2NG294DPF	287300	84300	30370	9.5	2.8	364519	25633	14.2

H2NG SERIES

220/200 - 3 Phase								
H2NG184DPD	147200	43192	14250	10.3	3.0	203697	11861	17.2
H2NG204FRD	173680	50961	16770	10.4	3.0	233895	13773	17.0
H2NG244FRD	199850	58640	20220	9.9	2.9	261705	16843	15.5
H2NG294FPD	238000	69834	25300	9.4	2.8	312204	20968	14.9

380/415 - 3 Phase								
H2NG184DPE	147200	43192	14250	10.3	3.0	203697	11861	17.2
H2NG204DRE	173680	50961	16770	10.4	3.0	233895	13773	17.0
H2NG244DRE	199850	58640	20220	9.9	2.9	261705	16843	15.5
H2NG294DPE	238000	69834	25300	9.4	2.8	312204	20968	14.9

Electrical Data			Displacement	
RLA	LRA	MCC	IN ³ /REV	CM ³ /REV

51.8	234	80.0	20.44	334.81
60.0	282	98.0	23.26	381.00
73.1	360	112	26.80	438.98
87.7	400	138	31.02	508.11

25.9	117	40.0	20.44	334.81
30.0	141	49.0	23.26	381.00
36.6	180	56.0	26.80	438.98
43.9	200	69.0	31.02	508.11

20.7	94	32.0	20.44	334.79
24.0	113	39.2	23.26	380.98
29.3	144	44.8	26.80	439.00
35.1	160	55.2	31.02	508.11

53.5	265	80	20.44	334.81
62.0	320	98	23.26	381.00
75.0	400	112	26.80	438.98
90.5	450	138	31.02	508.11

26.0	125	40	20.44	334.81
30.0	150	49	23.26	381.00
36.5	190	56	26.80	438.98
44.0	215	69	31.02	508.11

*Data Subject to Revision

Model	Oil Charge		Weight				ELECTRICAL START COMPONENTS			DIMENSIONS					
							Run Capacitor	Start Capacitor	G.E. Relay	*DIAGRAMS FOUND ON PAGE 58					
	OZ	L	Net Lbs	Net Kg	Ship Lbs	Ship Kg				MFD/VOLTS	MFD/VOLTS		A		B
H2NG184DPD	224	6.6	241	109.5	252	114.5	-Not Req'd	-Not Req'd	-Not Req'd	11.8	299.5	21.8	552.0	22.4	568.8
H2NG204FRD	224	6.6	248	112.7	259	117.7	-Not Req'd	-Not Req'd	-Not Req'd	11.8	299.5	21.8	552.0	22.4	568.8
H2NG244FRD	224	6.6	257	116.8	272	123.6	-Not Req'd	-Not Req'd	-Not Req'd	11.8	299.5	21.8	552.0	22.4	568.8
H2NG294FPD	224	6.6	268	121.8	279	126.8	-Not Req'd	-Not Req'd	-Not Req'd	11.8	299.5	21.8	552.0	22.4	568.8
H2NG184DPE	224	6.6	241	109.5	252	114.5	-Not Req'd	-Not Req'd	-Not Req'd	11.8	299.5	21.8	552.0	22.4	568.8
H2NG204DRE	224	6.6	248	112.7	259	117.7	-Not Req'd	-Not Req'd	-Not Req'd	11.8	299.5	21.8	552.0	22.4	568.8
H2NG244DRE	224	6.6	257	116.8	272	123.6	-Not Req'd	-Not Req'd	-Not Req'd	11.8	299.5	21.8	552.0	22.4	568.8
H2NG294DPE	224	6.6	268	121.8	279	126.8	-Not Req'd	-Not Req'd	-Not Req'd	11.8	299.5	21.8	552.0	22.4	568.8
H2NG184DPF	224	6.6	241	109.5	253	115	-Not Req'd	-Not Req'd	-Not Req'd	11.8	299.5	21.8	552.0	22.4	568.8
H2NG204DRF	224	6.6	248	112.7	260	118.2	-Not Req'd	-Not Req'd	-Not Req'd	11.8	299.5	21.8	552.0	22.4	568.8
H2NG244DRF	224	6.6	257	116.8	269	122.3	-Not Req'd	-Not Req'd	-Not Req'd	11.8	299.5	21.8	552.0	22.4	568.8
H2NG294DPF	224	6.6	268	121.8	280	127.3	-Not Req'd	-Not Req'd	-Not Req'd	11.8	299.5	21.8	552.0	22.4	568.8

H2NG184DPD	224	6.6	241	109.5	252	114.5	-Not Req'd	-Not Req'd	-Not Req'd	11.8	299.5	21.8	552.0	22.4	568.8
H2NG204FRD	224	6.6	248	112.7	259	117.7	-Not Req'd	-Not Req'd	-Not Req'd	11.8	299.5	21.8	552.0	22.4	568.8
H2NG244FRD	224	6.6	257	116.8	272	123.6	-Not Req'd	-Not Req'd	-Not Req'd	11.8	299.5	21.8	552.0	22.4	568.8
H2NG294FPD	224	6.6	268	121.8	279	126.8	-Not Req'd	-Not Req'd	-Not Req'd	11.8	299.5	21.8	552.0	22.4	568.8
H2NG184DPE	224	6.6	241	109.5	252	114.5	-Not Req'd	-Not Req'd	-Not Req'd	11.8	299.5	21.8	552.0	22.4	568.8
H2NG204DRE	224	6.6	248	112.7	259	117.7	-Not Req'd	-Not Req'd	-Not Req'd	11.8	299.5	21.8	552.0	22.4	568.8
H2NG244DRE	224	6.6	257	116.8	272	123.6	-Not Req'd	-Not Req'd	-Not Req'd	11.8	299.5	21.8	552.0	22.4	568.8
H2NG294DPE	224	6.6	268	121.8	279	126.8	-Not Req'd	-Not Req'd	-Not Req'd	11.8	299.5	21.8	552.0	22.4	568.8

H2NG SERIES

TWO SPEED COMPRESSORS



Model	@45/130					@45/100		
	Capacity		Motor Input	EER/COP		Capacity	Motor Input	EER
	BTU/H	WATTS		BTU/WH	W/W			

Electrical Data			Displacement	
RLA	LRA	MCC	IN ³ /REV	CM ³ /REV

230/208 VOLTS - 3 Phase - 2 Speed

H2NG094GPD-1	38900	11408	4630	8.4	2.5	55300	3560	15.5
H2NG094GPD-2	87700	25718	8685	10.1	3.0	119400	7411	16.1
H2NG104GPD-1	45200	13255	5195	8.7	2.6	66300	3990	16.6
H2NG104GPD-2	101800	29853	10335	9.9	2.9	136600	8740	15.6
H2NG124GPD-1	54600	16012	6350	8.6	2.5	75500	4702	16.1
H2NG124GPD-2	119400	35015	12380	9.6	2.8	157900	10400	15.2
H2NG184GPD-1	80240	23544	8630	9.3	2.7	115528	6705	17.2
H2NG184GPD-2	183200	53755	17740	10.3	3.0	245276	14479	16.9
H2NG204GPD-1	97200	28521	10125	9.6	2.8	134534	7854	17.1
H2NG204GPD-2	212400	62323	20870	10.2	3.0	277888	17309	16.1
H2NG244GPD-1	114500	33597	11800	9.7	2.8	158494	9351	16.9
H2NG244GPD-2	252900	74206	25400	10.0	2.9	325806	21277	15.3

12.7	48			
25.3	140	41.4	10.22	172.51
15.0	56			
30.0	162	48.0	11.63	196.31
18.1	66			
36.2	192	56.3	13.94	235.37
25.6	89			
51.3	248	88.0	20.44	334.81
30.0	108			
60.0	300	98.0	23.26	380.98
36.5	124			
73.1	362	124	26.79	438.82

460 VOLTS - 3 Phase - 2 Speed

H2NG094GPE-1	38900	11408	4630	8.4	2.5	55300	3560	15.5
H2NG094GPE-2	87700	25718	8685	10.1	3.0	119400	7411	16.1
H2NG104GPE-1	45200	13255	5195	8.7	2.6	66000	4000	16.5
H2NG104GPE-2	101800	29853	10335	9.9	2.9	136600	8740	15.6
H2NG124GPE-1	54600	16012	6350	8.6	2.5	75500	4702	16.1
H2NG124GPE-2	119400	35015	12380	9.6	2.8	157900	10400	15.2
H2NG184GPE-1	80240	23544	8630	9.3	2.7	115330	6697	17.2
H2NG184GPF-2	183200	53755	17740	10.3	3.0	245314	14480	16.9
H2NG204GPE-1	97200	28521	10125	9.6	2.8	134188	7855	17.1
H2NG204GPF-2	212400	62323	20870	10.2	3.0	277886	17314	16.0
H2NG244GPE-1	114500	33597	11800	9.7	2.8	158529	9337	17.0
H2NG244GPF-2	252900	74206	25400	10.0	2.9	325824	21284	15.3

6.4	24			
12.7	70	20.7	10.22	172.51
7.5	28			
15.0	81	24.0	11.63	196.31
9.1	33			
18.1	96	18.1	13.94	235.31
12.8	45			
20.5	100	35.2	20.44	334.79
15.0	54			
24.0	120	39.2	23.26	380.98
18.3	62			
29.3	145	54.2	26.79	438.80

575 VOLTS - 3 Phase - 2 Speed

H2NG094GPF-1	38900	11408	4630	8.4	2.5	55850	7410	7.5
H2NG094GPF-2	87700	25718	8685	10.1	3.0	119400	7850	15.2
H2NG104GPF-1	45200	13255	5195	8.7	2.6	66000	4000	16.5
H2NG104GPF-2	101800	29853	10335	9.9	2.9	136600	8740	15.6
H2NG124GPF-1	54600	16012	6350	8.6	2.5	75500	4702	16.1
H2NG124GPF-2	119400	35015	12380	9.6	2.8	157900	10400	15.2
H2NG184GPF-1	80240	23544	8630	9.3	2.7	115330	6697	17.2
H2NG184GPF-2	183200	53755	17740	10.3	3.0	245314	14480	16.9
H2NG204GPF-1	97200	28521	10125	9.6	2.8	134188	7855	17.1
H2NG204GPF-2	212400	62323	20870	10.2	3.0	277886	17314	16.0
H2NG244GPF-1	114500	33597	11800	9.7	2.8	158529	9337	17.0
H2NG244GPF-2	252900	74206	25400	10.0	2.9	325824	21284	15.3

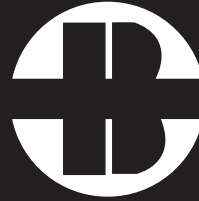
5.1	19			
10.2	56	16.6	10.22	172.51
6.0	22			
12.0	65	19.2	11.63	196.31
14.5	77			
7.3	26	23.6	13.94	235.37
10.3	36			
20.5	100	35.2	20.44	334.79
12.0	44			
24.0	120	39.2	23.26	380.98
14.7	50			
29.3	145	54.2	26.79	438.80

*Data Subject to Revision

Model	Oil Charge		Weight				ELECTRICAL START COMPONENTS			DIMENSIONS					
							Run Capacitor	Start Capacitor	G.E. Relay	*DIAGRAMS FOUND ON PAGE 58					
	OZ	L	Lbs	Net Kg	Ship Lbs	Kg	MFD/VOLTS	MFD/VOLTS		A		B		C	
									IN	MM	IN	MM	IN	MM	
H2NG094GPD	112	3.3	153.0	69.5	162.0	73.6	-Not Req'd	-Not Req'd	-Not Req'd	9.0	228.6	17.1	434.2	17.4	442.1
H2NG094GPD	112	3.3	153.0	69.5	162.0	73.6	-Not Req'd	-Not Req'd	-Not Req'd	9.0	228.6	17.1	434.2	17.4	442.1
H2NG104GPD	112	3.3	157.0	71.4	166.0	75.5	-Not Req'd	-Not Req'd	-Not Req'd	9.0	228.6	17.1	434.2	17.4	442.1
H2NG104GPD	112	3.3	157.0	71.4	166.0	75.5	-Not Req'd	-Not Req'd	-Not Req'd	9.0	228.6	17.1	434.2	17.4	442.1
H2NG124GPD	112	3.3	165.0	75.0	174.0	79.1	-Not Req'd	-Not Req'd	-Not Req'd	9.0	228.6	17.8	453.2	18.2	461.2
H2NG124GPD	112	3.3	165.0	75.0	174.0	79.1	-Not Req'd	-Not Req'd	-Not Req'd	9.0	228.6	17.8	453.2	18.2	461.2
H2NG184GPD	256	7.6	241	109.5	252	114.5	-Not Req'd	-Not Req'd	-Not Req'd	11.8	299.5	21.8	552.0	22.4	568.8
H2NG184GPD	256	7.6	241	109.5	252	114.5	-Not Req'd	-Not Req'd	-Not Req'd	11.8	299.5	21.8	552.0	22.4	568.8
H2NG204GPD	256	7.6	248	112.7	259	117.7	-Not Req'd	-Not Req'd	-Not Req'd	11.8	299.5	21.8	552.0	22.4	568.8
H2NG204GPD	256	7.6	248	112.7	259	117.7	-Not Req'd	-Not Req'd	-Not Req'd	11.8	299.5	21.8	552.0	22.4	568.8
H2NG244GPD	256	7.6	257	116.8	272	123.6	-Not Req'd	-Not Req'd	-Not Req'd	11.8	299.5	21.8	552.0	22.4	568.8
H2NG244GPD	256	7.6	257	116.8	272	123.6	-Not Req'd	-Not Req'd	-Not Req'd	11.8	299.5	21.8	552.0	22.4	568.8
H2NG094GPE	112	3.3	153.0	69.5	162.0	73.6	-Not Req'd	-Not Req'd	-Not Req'd	9.0	228.6	17.1	434.2	17.4	442.1
H2NG094GPE	112	3.3	153.0	69.5	162.0	73.6	-Not Req'd	-Not Req'd	-Not Req'd	9.0	228.6	17.1	434.2	17.4	442.1
H2NG104GPE	112	3.3	157.0	71.4	166.0	75.5	-Not Req'd	-Not Req'd	-Not Req'd	9.0	228.6	17.1	434.2	17.4	442.1
H2NG104GPE	112	3.3	157.0	71.4	166.0	75.5	-Not Req'd	-Not Req'd	-Not Req'd	9.0	228.6	17.1	434.2	17.4	442.1
H2NG124GPE	112	3.3	165.0	75.0	174.0	79.1	-Not Req'd	-Not Req'd	-Not Req'd	9.0	228.6	17.8	453.2	18.2	461.2
H2NG124GPE	112	3.3	165.0	75.0	174.0	79.1	-Not Req'd	-Not Req'd	-Not Req'd	9.0	228.6	17.8	453.2	18.2	461.2
H2NG184GPE	256	7.6	241	109.5	252	114.5	-Not Req'd	-Not Req'd	-Not Req'd	11.8	299.5	21.8	552.0	22.4	568.8
H2NG184GPF	256	7.6	241	109.5	253	115	-Not Req'd	-Not Req'd	-Not Req'd	11.8	299.5	21.8	552.0	22.4	568.8
H2NG204GPE	256	7.6	248	112.7	259	117.7	-Not Req'd	-Not Req'd	-Not Req'd	11.8	299.5	21.8	552.0	22.4	568.8
H2NG204GPF	256	7.6	248	112.7	260	118.2	-Not Req'd	-Not Req'd	-Not Req'd	11.8	299.5	21.8	552.0	22.4	568.8
H2NG244GPE	256	7.6	257	116.8	272	123.6	-Not Req'd	-Not Req'd	-Not Req'd	11.8	299.5	21.8	552.0	22.4	568.8
H2NG244GPF	256	7.6	257	116.8	272	123.6	-Not Req'd	-Not Req'd	-Not Req'd	11.8	299.5	21.8	552.0	22.4	568.8
H2NG094GPF	112	3.3	153.0	69.5	162.0	73.6	-Not Req'd	-Not Req'd	-Not Req'd	9.0	228.6	17.1	434.2	17.4	442.1
H2NG094GPF	112	3.3	153.0	69.5	162.0	73.6	-Not Req'd	-Not Req'd	-Not Req'd	9.0	228.6	17.1	434.2	17.4	442.1
H2NG104GPF	112	3.3	157.0	71.4	166.0	75.5	-Not Req'd	-Not Req'd	-Not Req'd	9.0	228.6	17.1	434.2	17.4	442.1
H2NG104GPF	112	3.3	157.0	71.4	166.0	75.5	-Not Req'd	-Not Req'd	-Not Req'd	9.0	228.6	17.1	434.2	17.4	442.1
H2NG124GPF	112	3.3	165.0	75.0	174.0	79.1	-Not Req'd	-Not Req'd	-Not Req'd	9.0	228.6	17.8	453.2	18.2	461.2
H2NG124GPF	112	3.3	165.0	75.0	174.0	79.1	-Not Req'd	-Not Req'd	-Not Req'd	9.0	228.6	17.8	453.2	18.2	461.2
H2NG184GPF	256	7.6	241	109.5	252	114.5	-Not Req'd	-Not Req'd	-Not Req'd	11.8	299.5	21.8	552.0	22.4	568.8
H2NG184GPF	256	7.6	241	109.5	253	115	-Not Req'd	-Not Req'd	-Not Req'd	11.8	299.5	21.8	552.0	22.4	568.8
H2NG204GPF	256	7.6	248	112.7	260	118.2	-Not Req'd	-Not Req'd	-Not Req'd	11.8	299.5	21.8	552.0	22.4	568.8
H2NG204GPF	256	7.6	248	112.7	260	118.2	-Not Req'd	-Not Req'd	-Not Req'd	11.8	299.5	21.8	552.0	22.4	568.8
H2NG244GPF	256	7.6	257	116.8	272	123.6	-Not Req'd	-Not Req'd	-Not Req'd	11.8	299.5	21.8	552.0	22.4	568.8
H2NG244GPF	256	7.6	257	116.8	272	123.6	-Not Req'd	-Not Req'd	-Not Req'd	11.8	299.5	21.8	552.0	22.4	568.8

H2NG SERIES

TWO SPEED COMPRESSORS



Model	@45/130					@45/100		
	Capacity		Motor Input	EER/COP		Capacity	Motor Input	EER
	BTU/H	WATTS		BTU/WH	W/W			

Electrical Data			Displacement	
RLA	LRA	MCC	IN ³ /REV	CM ³ /REV

220/200 VOLTS - 3 Phase - 2 Speed

H2NG094GPD-1	29600	8680	3910	7.6	2.2	43000	2900	14.8
H2NG094GPD-2	70000	20528	7100	9.9	2.9	95250	6100	15.6
H2NG104GPD-1	36725	10770	4500	8.2	2.4	51490	3360	15.3
H2NG104GPD-2	84600	24809	8325	10.2	3.0	113450	7040	16.1
H2NG124GPD-1	43800	12845	5470	8.0	2.3	60900	4110	14.8
H2NG124GPD-2	99400	29150	10160	9.8	2.9	131450	8510	15.4
H2NG184GPD-1	66025	19373	7310	9.0	2.7	198109	11694	16.9
H2NG184GPD-2	147200	43192	14250	10.3	3.0	90293	5535	16.3
H2NG204GPD-1	80140	23515	8490	9.4	2.8	106557	6518	16.3
H2NG204GPD-2	173680	50961	16670	10.4	3.1	227893	13940	16.3
H2NG244GPD-1	88000	25821	10180	8.6	2.5	117569	7959	14.8
H2NG244GPD-2	199850	58640	20220	9.9	2.9	257091	16889	15.2

13.0	48			
26.0	140	41.4	10.22	172.51
15.5	56			
31.0	162	48.0	11.63	196.31
18.5	66			
37.0	192	56.3	13.94	235.31
26.5	92			
53.0	265	88	20.44	334.81
31.0	116			
62.0	316	98	23.26	381.00
37.5	133			
75.0	400	124	26.79	438.82

380/415 VOLTS - 3 Phase - 2 Speed

H2NG094GPE-1	29600	8680	3910	7.6	2.2	43000	2900	14.8
H2NG094GPE-2	70000	20528	7100	9.9	2.9	95250	6100	15.6
H2NG104GPE-1	36725	10770	4500	8.2	2.4	51490	3360	15.3
H2NG104GPE-2	84600	24809	8325	10.2	3.0	113450	7040	16.1
H2NG124GPE-1	43800	12845	5470	8.0	2.3	60900	4110	14.8
H2NG124GPE-2	99400	29150	10160	9.8	2.9	131450	8510	15.4
H2NG184GPE-1	66025	19373	7310	9.0	2.7	90293	5535	16.3
H2NG184GPE-2	147200	43192	14250	10.3	3.0	198109	11694	16.9
H2NG204GPE-1	80140	23515	8490	9.4	2.8	106286	6519	16.3
H2NG204GPE-2	173680	50961	16770	10.4	3.0	227893	13940	16.3
H2NG244GPE-1	88000	25821	10180	8.6	2.5	117569	7959	14.8
H2NG244GPE-2	199850	58640	20220	9.9	2.9	257091	16889	15.2

7.3	23			
11.9	66	20.7	10.22	172.51
8.6	26			
14.3	76	24.0	11.63	196.31
10.2	33			
17.1	90	29.5	13.94	235.31
14.0	44			
24.6	126	44	20.44	334.81
16.4	55			
38.9	150	49	23.26	381.00
19.6	63			
35.2	188	62	26.79	438.82

500 VOLTS - 3 Phase - 2 Speed

H2NG094GPF-1	29600	8680	3910	7.6	2.2	43000	2900	14.8
H2NG094GPF-2	70000	20528	7100	9.9	2.9	95250	6100	15.6
H2NG104GPF-1	36725	10770	4500	8.2	2.4	51490	3360	15.3
H2NG104GPF-2	84600	24809	8325	10.2	3.0	113450	7040	16.1
H2NG124GPF-1	43800	12845	5470	8.0	2.3	60900	4110	14.8
H2NG124GPF-2	99400	29150	10160	9.8	2.9	131450	8510	15.4
H2NG184GPF-1	66025	19373	7310	9.0	2.7	90293	5535	16.3
H2NG184GPF-2	147200	43192	14250	10.3	3.0	198109	11694	16.9
H2NG204GPF-1	80140	23515	8490	9.4	2.8	106286	6519	16.3
H2NG204GPF-2	173680	50961	16770	10.4	3.0	227893	13940	16.3
H2NG244GPF-1	88000	25821	10180	8.6	2.5	117569	7959	14.8
H2NG244GPF-2	199850	58640	20220	9.9	2.9	257091	16889	15.2

20.0	6			
58.0	10	16.6	10.22	172.51
23.0	6			
68.0	12	19.2	11.63	196.31
27.0	7			
80.0	15	23.6	13.40	226.19
38.0	10			
104.0	21	35.2	20.44	334.79
46.0	12			
125.0	25	39.2	23.26	380.98
52.0	14			
151.0	30	54.2	26.80	439.00

*Data Subject to Revision

Model	Oil Charge		Weight				ELECTRICAL START COMPONENTS			DIMENSIONS					
							Run Capacitor	Start Capacitor	G.E. Relay	*DIAGRAMS FOUND ON PAGE 58					
	OZ	L	Net Lbs	Net Kg	Ship Lbs	Ship Kg	MFD/VOLTS	MFD/VOLTS		A		B		C	
									IN	MM	IN	MM	IN	MM	
H2NG094GPD	112	3.3	153.0	69.5	162.0	73.6	-Not Req'd	-Not Req'd	-Not Req'd	9.0	228.6	17.1	434.2	17.4	442.1
H2NG094GPD	112	3.3	153.0	69.5	162.0	73.6	-Not Req'd	-Not Req'd	-Not Req'd	9.0	228.6	17.1	434.2	17.4	442.1
H2NG104GPD	112	3.3	157.0	71.4	166.0	75.5	-Not Req'd	-Not Req'd	-Not Req'd	9.0	228.6	17.1	434.2	17.4	442.1
H2NG104GPD	112	3.3	157.0	71.4	166.0	75.5	-Not Req'd	-Not Req'd	-Not Req'd	9.0	228.6	17.1	434.2	17.4	442.1
H2NG124GPD	112	3.3	165.0	75.0	174.0	79.1	-Not Req'd	-Not Req'd	-Not Req'd	9.0	228.6	17.8	453.2	18.2	461.2
H2NG124GPD	112	3.3	165.0	75.0	174.0	79.1	-Not Req'd	-Not Req'd	-Not Req'd	9.0	228.6	17.8	453.2	18.2	461.2
H2NG184GPD	256	7.6	241	109.5	252	114.5	-Not Req'd	-Not Req'd	-Not Req'd	11.8	299.5	21.8	552.0	22.4	568.8
H2NG184GPD	256	7.6	241	109.5	252	114.5	-Not Req'd	-Not Req'd	-Not Req'd	11.8	299.5	21.8	552.0	22.4	568.8
H2NG204GPD	256	7.6	248	112.7	259	117.7	-Not Req'd	-Not Req'd	-Not Req'd	11.8	299.5	21.8	552.0	22.4	568.8
H2NG204GPD	256	7.6	248	112.7	259	117.7	-Not Req'd	-Not Req'd	-Not Req'd	11.8	299.5	21.8	552.0	22.4	568.8
H2NG244GPD	256	7.6	257	116.8	272	123.6	-Not Req'd	-Not Req'd	-Not Req'd	11.8	299.5	21.8	552.0	22.4	568.8
H2NG244GPD	256	7.6	257	116.8	272	123.6	-Not Req'd	-Not Req'd	-Not Req'd	11.8	299.5	21.8	552.0	22.4	568.8
H2NG094GPE	112	3.3	153.0	69.5	162.0	73.6	-Not Req'd	-Not Req'd	-Not Req'd	9.0	228.6	17.1	434.2	17.4	442.1
H2NG094GPE	112	3.3	153.0	69.5	162.0	73.6	-Not Req'd	-Not Req'd	-Not Req'd	9.0	228.6	17.1	434.2	17.4	442.1
H2NG104GPE	112	3.3	157.0	71.4	166.0	75.5	-Not Req'd	-Not Req'd	-Not Req'd	9.0	228.6	17.1	434.2	17.4	442.1
H2NG104GPE	112	3.3	157.0	71.4	166.0	75.5	-Not Req'd	-Not Req'd	-Not Req'd	9.0	228.6	17.1	434.2	17.4	442.1
H2NG124GPE	112	3.3	165.0	75.0	174.0	79.1	-Not Req'd	-Not Req'd	-Not Req'd	9.0	228.6	17.8	453.2	18.2	461.2
H2NG124GPE	112	3.3	165.0	75.0	174.0	79.1	-Not Req'd	-Not Req'd	-Not Req'd	9.0	228.6	17.8	453.2	18.2	461.2
H2NG184GPE	256	7.6	241	109.5	252	114.5	-Not Req'd	-Not Req'd	-Not Req'd	11.8	299.5	21.8	552.0	22.4	568.8
H2NG184GPE	256	7.6	241	109.5	252	114.5	-Not Req'd	-Not Req'd	-Not Req'd	11.8	299.5	21.8	552.0	22.4	568.8
H2NG204GPE	224	6.6	248	112.7	259	117.7	-Not Req'd	-Not Req'd	-Not Req'd	11.8	299.5	21.8	552.0	22.4	568.8
H2NG204GPE	256	7.6	248	112.7	259	117.7	-Not Req'd	-Not Req'd	-Not Req'd	11.8	299.5	21.8	552.0	22.4	568.8
H2NG244GPE	256	7.6	257	116.8	272	123.6	-Not Req'd	-Not Req'd	-Not Req'd	11.8	299.5	21.8	552.0	22.4	568.8
H2NG244GPE	256	7.6	257	116.8	272	123.6	-Not Req'd	-Not Req'd	-Not Req'd	11.8	299.5	21.8	552.0	22.4	568.8
H2NG094GPF	112	3.3	153.0	69.5	162.0	73.6	-Not Req'd	-Not Req'd	-Not Req'd	9.0	228.6	17.1	434.2	17.4	442.1
H2NG094GPF	112	3.3	153.0	69.5	162.0	73.6	-Not Req'd	-Not Req'd	-Not Req'd	9.0	228.6	17.1	434.2	17.4	442.1
H2NG104GPF	112	3.3	157.0	71.4	166.0	75.5	-Not Req'd	-Not Req'd	-Not Req'd	9.0	228.6	17.1	434.2	17.4	442.1
H2NG104GPF	112	3.3	157.0	71.4	166.0	75.5	-Not Req'd	-Not Req'd	-Not Req'd	9.0	228.6	17.1	434.2	17.4	442.1
H2NG124GPF	112	3.3	165.0	75.0	174.0	79.1	-Not Req'd	-Not Req'd	-Not Req'd	9.0	228.6	17.8	453.2	18.2	461.2
H2NG124GPF	112	3.3	165.0	75.0	174.0	79.1	-Not Req'd	-Not Req'd	-Not Req'd	9.0	228.6	17.8	453.2	18.2	461.2
H2NG184GPF	256	7.6	241	109.5	252	114.5	-Not Req'd	-Not Req'd	-Not Req'd	11.8	299.5	21.8	552.0	22.4	568.8
H2NG184GPF	256	7.6	241	109.5	253	115	-Not Req'd	-Not Req'd	-Not Req'd	11.8	299.5	21.8	552.0	22.4	568.8
H2NG204GPF	256	7.6	248	112.7	260	118.2	-Not Req'd	-Not Req'd	-Not Req'd	11.8	299.5	21.8	552.0	22.4	568.8
H2NG204GPF	256	7.6	248	112.7	260	118.2	-Not Req'd	-Not Req'd	-Not Req'd	11.8	299.5	21.8	552.0	22.4	568.8
H2NG244GPF	256	7.6	257	116.8	272	123.6	-Not Req'd	-Not Req'd	-Not Req'd	11.8	299.5	21.8	552.0	22.4	568.8
H2NG244GPF	256	7.6	257	116.8	269	122.3	-Not Req'd	-Not Req'd	-Not Req'd	11.8	299.5	21.8	552.0	22.4	568.8

H7BG SERIES (R407C)

Model	@45/130					@45/100		
	Capacity		Motor Input	EER/COP		Capacity	Motor Input	EER
	BTU/H	WATTS		BTU/WH	W/W			
230/208 VOLTS - 3 Phase								
H7BG104DBD	91948	26979	9154	10.0	2.9	130835	7632	17.1
H7BG124DBD	107491	31540	10982	9.8	2.9	156617	9400	16.7

460 VOLTS - 3 Phase								
H7BG094DBE	96	2.8	128	58.2	138	62.7	Not Recd	Not Recd
H7BG104DBE	93469	27426	9337	10.0	2.9	141961	7637	18.6

H7BG SERIES (R407C)

220/200 VOLTS - 3 Phase								
H7BG104DBD	220/200-3-5074678	21912	7444	10.0	2.9	114589	6353	18.0
H7BG104DBD	74678	21912	7444	10.0	2.9	114589	6353	18.0

380/415 VOLTS - 3 Phase								
H7BG094DBE	66654	19558	6493	10.3	3.0	104179	5463	19.1
H7BG104DBE	77891	22855	7781	10.0	2.9	118301	6364	18.6

H7NG SERIES (R407C)

230/208 VOLTS - 3 Phase								
H7NG204FRD	187976	55156	18999	9.9	2.9	274859	16163	17.0

460 VOLTS - 3 Phase								
H7NG184DPE	165689	48617	15963	10.4	3.0	253217	13084	19.4
H7NG204DRE	190256	55825	18651	10.2	3.0	289648	15403	18.8
H7NG244DRE	223238	65503	22398	10.0	2.9	329836	18801	17.5

575 VOLTS - 3 Phase								

H7NG SERIES (R407C)

220/200 VOLTS - 3 Phase								
H7NG204FRD	153689	45096	15305	10.0	2.9	234250	13046	18.0

380/415 VOLTS - 3 Phase								
H7NG184DPE	138074	40514	13303	10.4	3.0	211014	10904	19.4
H7NG204DRE	158547	46521	15542	10.2	3.0	241373	12836	18.8
H7NG244DRE	186032	54586	18665	10.0	2.9	274864	15668	17.5

H7NG294DRE	211978	62199	23092	9.2	2.7	303873	20239	15.0	267163	21179	12.6	44.0	215	69.0	31.02	508.11
------------	--------	-------	-------	-----	-----	--------	-------	------	--------	-------	------	------	-----	------	-------	--------



Electrical Data			Displacement		
RLA	LRA	MCC	IN ³ /REV	CM ³ /REV	
29.3	166	45.0	11.63	190.50	
36.0	205	56.0	13.40	219.51	

17.6	44.4	17.9	454.6		
14.6	87	22.0	11.63	190.50	

14.4	29	170	42.6	11.63	
29.0	170	42.6	11.63	190.50	

12.0	72	18.0	10.22	167.40	
14.2	77	20.2	11.63	190.50	

60.0	282	98.0	23.26	380.98	
------	-----	------	-------	--------	--

25.9	117	40.0	20.44	334.79	
30.0	141	49.0	23.26	380.98	
36.6	180	56.0	26.80	439.00	

62.0	225	98.0	23.30	381.65	
------	-----	------	-------	--------	--

26.0	125	40.0	20.44	334.79	
30.0	150	49.0	23.26	380.98	
36.5	190	56.0	26.80	439.00	

60 HZ

Model	Oil Charge		Weight				ELECTRICAL START COMPONENTS			DIMENSIONS					
							Run Capacitor	Start Capacitor	G.E. Relay	*DIAGRAMS FOUND ON PAGE 58					
	OZ	L	Net Lbs	Net Kg	Ship Lbs	Ship Kg	MFD/VOLTS	MFD/VOLTS		A		B		C	
									IN	MM	IN	MM	IN	MM	
H7BG104DBD	96	2.8	144	65.5	153	69.5	-Not Req'd	-Not Req'd	-Not Req'd	9	228.4	18.3	465.5	18.7	473.6
H7BG124DBD	96	2.8	146	66.4	155	70.5	-Not Req'd	-Not Req'd	-Not Req'd	9	228.4	18.3	465.5	18.7	473.6
79985	234	69.7792	10.3	3.0125	15.015	6555	19.1	107878	7286	14.8	12.3	72	19.0	10.22	167.40
H7BG104DBE	96	2.8	144	65.5	153	69.5	-Not Req'd	-Not Req'd	-Not Req'd	9	228.4	18.3	465.5	18.7	473.6

50 HZ

190.50	96	2.8	144	65.5	153	69.5	9	228.4	18.3	465.5	18.7	473.6			
H7BG104DBD	96	2.8	144	65.5	153	69.5	-Not Req'd	-Not Req'd	-Not Req'd	9	228.4	18.3	465.5	18.7	473.6
H7BG094DBE	96	2.8	128	58.2	138	62.7	-Not Req'd	-Not Req'd	-Not Req'd	9	228.4	17.6	446.4	17.9	454.6
H7BG104DBE	96	2.8	144	65.5	153	69.5	-Not Req'd	-Not Req'd	-Not Req'd	9	228.4	18.3	465.5	18.7	473.6

60 HZ

H7NG204FRD	224	6.6	248	112.7	260	118.2	-Not Req'd	-Not Req'd	-Not Req'd	11.8	299.5	21.8	552.0	22.4	568.8
H7NG184DPE	224	6.6	241	109.5	253	115.0	-Not Req'd	-Not Req'd	-Not Req'd	11.8	299.5	21.8	552.0	22.4	568.8
H7NG204DRE	224	6.6	248	112.7	260	118.2	-Not Req'd	-Not Req'd	-Not Req'd	11.8	299.5	21.8	552.0	22.4	568.8
H7NG244DRE	224	6.6	247	112.3	269	122.3	-Not Req'd	-Not Req'd	-Not Req'd	11.8	299.5	21.8	552.0	22.4	568.8

50 HZ

H7NG204FRD	224	6.6	248	112.7	260	118.2	-Not Req'd	-Not Req'd	-Not Req'd	11.8	299.5	21.8	552.0	22.4	568.8
H7NG184DPE	224	6.6	241	109.5	253	115.0	-Not Req'd	-Not Req'd	-Not Req'd	11.8	299.5	21.8	552.0	22.4	568.8
H7NG204DRE	224	6.6	248	112.7	260	118.2	-Not Req'd	-Not Req'd	-Not Req'd	11.8	299.5	21.8	552.0	22.4	568.8
H7NG244DRE	224	6.6	257	116.8	269	122.3	-Not Req'd	-Not Req'd	-Not Req'd	11.8	299.5	21.8	552.0	22.4	568.8
H7NG294DPE	224	6.6	268	121.8	280	127.3	-Not Req'd	-Not Req'd	-Not Req'd	11.8	299.5	21.8	552.0	22.4	568.8

L63B SERIES

Model	@-10/120 120° Subcooling 40° Suction Gas				@-10/130 90° Subcooling 90° Suction Gas			
	Capacity		Motor Input	EER/COP		Capacity	Motor Input	EER
	BTU/H	WATTS		BTU/WH	W/W			
115 VOLTS - 1 Phase								
L63B562BBA	3260	955	1170	2.8		5000	1125	4.4
230/208 VOLTS - 1 Phase								
L63B562BBC	3450	1011	1240	2.8		5210	1170	4.5
L63B652BBC	4475	1311	1430	3.1		6000	1350	4.4
L63B752BBC	5450	1597	1590	3.4		7290	1505	4.8
230/200 VOLTS - 3 Phase								
L63B562DBL	3400	996	1190	2.9		5200	1145	4.5
L63B652DBL	4400	1289	1405	3.1		6000	1340	4.5
L63B752DBL	5530	1620	1649	3.4		7250	1560	4.6
460/380 VOLTS - 3 Phase								
L63B562DBV	3400	996	1190	2.9		5200	1145	4.5
L63B652DBV	4400	1289	1405	3.1		6000	1340	4.5



Electrical Data			Displacement		
RLA	LRA	MCC	IN ³ /REV	CM ³ /REV	
11.7	89.0	19.6	2.12	34.80	
5.5	56.6	12.8	2.12	34.80	
6.6	56.6	12.9	2.82	46.22	
7.2	55.0	15.4	2.97	48.61	
3.8	34.0	8.2	2.12	34.80	
4.3	34.0	8.9	2.82	46.22	
5.9	48.0	10.0	2.97	48.61	
1.8	18.0	3.8	2.12	34.80	
2.0	18.0	4.0	2.82	46.22	

L63B SERIES

Model	@-10/120 120° Subcooling 40° Suction Gas				@-10/130 90° Subcooling 90° Suction Gas			
	Capacity		Motor Input	EER/COP		Capacity	Motor Input	EER
	BTU/H	WATTS		BTU/WH	W/W			
220/240 VOLTS - 1 Phase								
L63B562BBK	2500	732	940	2.7		3700	880	4.2
L63B652BBK	3700	1084	1250	3.0		5200	1240	4.2
L63B752BBK	4150	1216	1325	3.1		5930	1340	4.4
200/220 VOLTS - 3 Phase								
L63B562DBL	2740	803	990	2.8		4380	980	4.5
L63B652DBL	3650	1069	1200	3.0		5510	1225	4.5
L63B752DBL	4000	1172	1350	3.0		6100	1375	4.4
415/380 VOLTS - 3 Phase								
L63B562DBV	2710	794	970	2.8		4380	980	4.5
L63B652DBV	3650	1069	1200	3.0		5510	1225	4.5
L63B752DBV	4000	1172	1350	3.0		6100	1375	4.4

Electrical Data			Displacement		
RLA	LRA	MCC	IN ³ /REV	CM ³ /REV	
5.3	43.0	9.6	2.12	34.80	
6.9	49.0	12.0	2.97	48.61	
7.5	49.0	15.4	2.97	48.61	
3.8	34.0	8.2	2.12	34.80	
4.3	34.0	8.9	2.82	46.22	
5.6	48.0	10.0	2.97	48.61	
1.8	18.0	3.8	2.12	34.80	
2.0	18.0	4.0	2.82	46.22	
2.8	24.0	5.6	2.97	48.61	

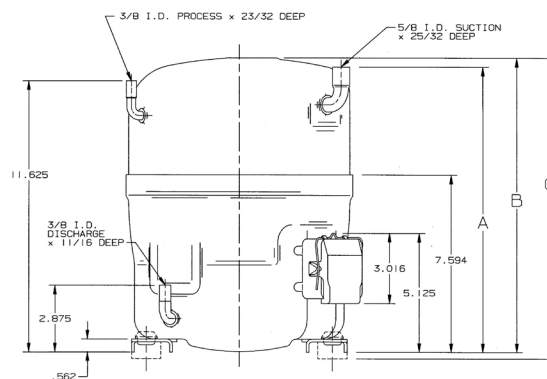
*Data Subject to Revision

60 HZ

Model	Oil Charge		Weight				ELECTRICAL START COMPONENTS			DIMENSIONS					
							Run Capacitor	Start Capacitor	G.E. Relay	*DIAGRAMS FOUND ON PAGE 51					
	OZ	L	Lbs	Net Kg	Ship Lbs	Kg	MFD/VOLTS	MFD/VOLTS		A IN	MM	B IN	MM	C IN	MM
L63B562BBA	40	1	61.0	27.7	64.5	29.3	20/370	161-193/250	GE3ARR3*25S*	12.24	310.77	12.63	320.68	12.91	327.79
L63B562BBC	40	1	61.0	27.7	64.5	29.3	30/370	161-193/250	GE3ARR3*3V*	12.24	310.77	12.63	320.68	12.91	327.79
L63B652BBC	40	1	61.0	27.7	64.5	29.3	30/370	161-193/250	GE3ARR3*3V*	12.24	310.77	12.63	320.68	12.91	327.79
L63B752BBC	40	1	61.0	27.7	64.5	29.3	30/370	161-193/250	GE3ARR3*3V*	12.78	324.51	13.25	336.55	13.53	343.69
L63B562DBL	40	1	53.0	24.1	64.5	29.3	NA	NA	NA	12.24	310.77	12.63	320.70	12.91	327.79
L63B652DBL	40	1	56.0	25.5	59.5	26.6	NA	NA	NA	12.24	310.77	12.63	320.70	12.91	327.79
L63B752DBL	40	1	56.0	25.5	59.5	26.6	NA	NA	NA	12.78	324.51	13.25	336.55	13.53	343.69
L63B562DBV	40	1	55.0	25.0	58.5	26.6	NA	NA	NA	12.24	310.77	12.63	320.70	12.91	327.79
L63B652DBV	40	1	56.0	25.5	59.5	26.6	NA	NA	NA	12.24	310.77	12.63	320.70	12.91	327.79

50 HZ

Model	Oil Charge		Weight				ELECTRICAL START COMPONENTS			DIMENSIONS					
							Run Capacitor	Start Capacitor	G.E. Relay	*DIAGRAMS FOUND ON PAGE 51					
	OZ	L	Lbs	Net Kg	Ship Lbs	Kg	MFD/VOLTS	MFD/VOLTS		A IN	MM	B IN	MM	C IN	MM
L63B562BBK	40	1	61.0	27.7	64.5	29.3	15/370	161-193/250	GE3ARR3*3AV*	12.24	310.77	12.63	320.70	12.91	327.79
L63B652BBK	40	1	61.0	27.7	64.5	29.3	15/370	125-145/250	GE3ARR3*10AU*	12.24	310.77	12.63	320.70	12.91	327.79
L63B752BBK	40	1	61.0	27.7	64.5	29.3	15/370	125-145/250	GE3ARR3*10AU*	12.78	324.51	13.25	336.55	13.53	343.69
L63B562DBL	40	1	53.0	24.1	64.5	29.3	NA	NA	NA	12.24	310.77	12.63	320.70	12.91	327.79
L63B652DBL	40	1	56.0	25.5	59.5	26.6	NA	NA	NA	12.24	310.77	12.63	320.70	12.91	327.79
L63B752DBL	40	1	56.0	25.5	59.5	26.6	NA	NA	NA	12.78	324.51	13.25	336.55	13.53	343.69
L63B562DBV	40	1	55.0	25.0	58.5	26.6	NA	NA	NA	12.24	310.77	12.63	320.70	12.91	327.79
L63B652DBV	40	1	56.0	25.5	59.5	26.6	NA	NA	NA	12.24	310.77	12.63	320.70	12.91	327.79
L63B752DBV	40	1	56.0	25.5	59.5	26.6	NA	NA	NA	12.78	324.51	13.25	336.55	13.53	343.69



L63B

L63A SERIES

Model	@-10/120 120° Subcooling 40° Suction Gas				@-10/130 90° Subcooling 90° Suction Gas			
	Capacity		Motor Input	EER/COP		Capacity	Motor Input	EER
	BTU/H	WATTS		BTU/WH	W/W			
230/208 VOLTS - 1 Phase								
L63A113BBC	7698	2255	2109	3.7		10700	2169	4.9
L63A183BBC	13316	3901	3232	4.1		18100	3290	5.5
230/200 VOLTS - 3 Phase								
L63A113DBL	7310	2142	2009	3.6		10800	2040	5.3
230/208 VOLTS - 3 Phase								
L63A183DBD	13647	3998	3309	4.1		18000	3270	5.5
460 VOLTS - 3 Phase								
L63A113DBE	7310	2142	2009	3.6		10800	2080	5.2
L63A183DBE	13647	3998	3309	4.1		18000	3215	5.6



Electrical Data			Displacement	
RLA	LRA	MCC	IN ³ /REV	CM ³ /REV
11.6	65.0	21.5	4.05	66.33
15.6	110.0	32.0	6.17	101.14
6.1	50.0	14.0	4.05	66.33
9.8	78.0	18.0	6.17	101.14
3.3	30.0	8.0	4.05	66.33
5.0	39.0	9.0	6.17	101.14

L63A SERIES

Model	@-10/120 120° Subcooling 40° Suction Gas				@-10/130 90° Subcooling 90° Suction Gas			
	Capacity		Motor Input	EER/COP		Capacity	Motor Input	EER
	BTU/H	WATTS		BTU/WH	W/W			
220/240 VOLTS - 1 Phase								
L63A113BBK	6375	1868	1866	3.4		9200	1840	5.0
L63A183BBK	11534	43379	2689	4.3		14400	2619	5.5
380/415 VOLTS - 3 Phase								
L63A113DBE	6174	1809	1733	3.6		8600	1690	5.1
L63A183DBE	11341	3323	2740	4.1		15000	2680	5.6

Electrical Data			Displacement	
RLA	LRA	MCC	IN ³ /REV	CM ³ /REV
9.0	60.0	18.0	4.05	66.33
14.0	104.0	28.0	6.17	101.14
3.3	30.0	8.0	4.05	66.33
5.0	39.0	9.0	6.17	101.14

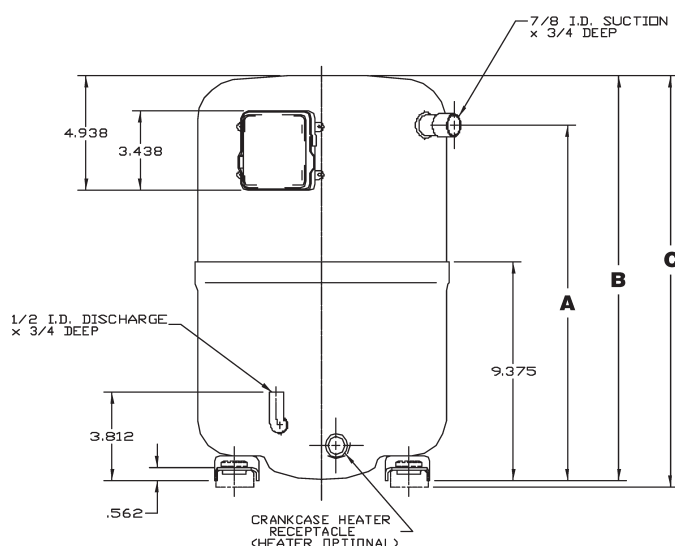
*Data Subject to Revision

60 HZ

Model	Oil Charge		Weight				ELECTRICAL START COMPONENTS			DIMENSIONS					
							Run Capacitor	Start Capacitor	G.E. Relay	*DIAGRAMS FOUND ON PAGE 53					
	OZ	L	Lbs	Net Kg	Ship Lbs	Kg	MFD/VOLTS	MFD/VOLTS		A		B		C	
L63A113BBC	50	2	72.0	32.7	75.5	34.3	20/440	161-193/250	GE3ARR3*26C*	14.19	360.38	14.63	371.48	14.91	378.59
L63A183BBC	50	2	74.0	36.3	77.5	35.2	35/440	216-259/330	GE3ARR3*4B*	12.50	317.50	14.53	368.94	14.91	378.61
L63A113DBL	50	2	72.0	32.7	75.5	34.3	NA	NA	NA	14.19	360.38	14.63	371.48	14.91	378.59
L63A183DBD	50	2	74.0	36.3	77.5	35.2	NA	NA	NA	12.50	317.50	14.53	368.94	14.91	378.61
L63A113DBE	50	2	72.0	32.7	75.0	34.1	NA	NA	NA	14.19	360.38	14.63	371.48	14.91	378.59
L63A183DBE	50	2	74.0	36.3	77.5	35.2	NA	NA	NA	12.50	317.50	14.53	368.94	14.91	378.61

50 HZ

Model	Oil Charge		Weight				ELECTRICAL START COMPONENTS			DIMENSIONS					
							Run Capacitor	Start Capacitor	G.E. Relay	*DIAGRAMS FOUND ON PAGE 53					
	OZ	L	Lbs	Net Kg	Ship Lbs	Kg	MFD/VOLTS	MFD/VOLTS		A		B		C	
L63A113BBK	50	2	74.0	36.3	77.5	35.2	25/370	161-193/250	GE3ARR3*10AU*	14.19	360.38	14.63	371.48	14.91	378.59
L63A183BBK	50	2	74.0	36.3	77.5	35.2	35/440	270-324/330	GE3ARR3*4AA*	12.50	317.50	14.53	368.94	14.91	378.61
L63A113DBE	50	2	72.0	32.7	75.5	34.3	NA	NA	NA	14.19	360.38	14.63	371.48	14.91	378.59
L63A183DBE	50	2	74.0	36.3	77.5	35.2	NA	NA	NA	12.50	317.50	14.53	368.94	14.91	378.61



L63A

M63B SERIES

Model	@20/120 120° Subcooling 40° Suction Gas				@20/130 115° Subcooling 95° Suction Gas		
	Capacity		Motor Input	EER/COP	Capacity	Motor Input	EER
	BTU/H	WATTS					
230/208 VOLTS - 1 Phase							
M63B872BBC	6573	1926	1300	5.1	7980	1290	6.2
M63B982BBC	7716	2261	1390	5.6	9500	1357	7.0
M63B123BBC	10150	2974	1735	5.8	11740	1744	6.7
M63B153BBC	12740	3733	2125	6.0	14950	2170	6.9
M63B203BBC	15903	4659	2693	5.9	19600	2800	7.0
230/200 VOLTS - 3 Phase							
M63B123DBL	10100	2959	1780	5.7	11800	1800	6.6
M63B153DBL	12390	3630	2081	6.0	12390	2081	6.0
230/208 VOLTS - 3 Phase							
M63B203DBD	15991	4685	2617	6.1	19200	2786	6.9
460/380 VOLTS - 3 Phase							
M63B153DBV	12390	3630	2081	6.0	14500	2110	6.9



Electrical Data			Displacement	
RLA	LRA	MCC	IN ³ /REV	CM ³ /REV
6.1	54.0	10.6	1.70	27.86
6.5	54.0	14.0	1.84	30.16
8.8	66.0	16.0	2.44	39.99
10.0	66.0	17.0	2.82	46.22
13.1	8.0	24.0	3.34	54.74
5.9	48.0	9.9	2.44	39.99
6.0	44.0	11.0	2.82	46.22
8.1	60.0	13.2	3.34	54.74
3.0	23.0	5.7	2.82	46.22

M63B SERIES

Model	@20/120 120° Subcooling 40° Suction Gas				@20/130 115° Subcooling 95° Suction Gas		
	Capacity		Motor Input	EER/COP	Capacity	Motor Input	EER
	BTU/H	WATTS					
220/240 VOLTS - 1 Phase							
M63B872BBK	5199	1523	1045	5.0	6610	1090	6.1
M63B982BBK	6075	1780	1148	5.3	7450	1154	6.5
M63B203BBK	13596	3983	2164	6.3	15945	2267	7.0
220/200 VOLTS - 3 Phase							
M63B123DBL	8284	2427	1580	5.2	9875	1635	6.0
M63B153DBL	10150	2974	1749	5.8	12315	1797	6.9
380/415 VOLTS - 3 Phase							
M63B153DBV	10160	2977	1749	5.8	12315	1797	6.9
380/415 VOLTS - 3 Phase							
M63B203DBE	12650	3706	2165	5.8	14450	2220	6.5

Electrical Data			Displacement	
RLA	LRA	MCC	IN ³ /REV	CM ³ /REV
5.0	34.5	9.1	1.70	27.86
5.4	42.0	10.8	1.84	30.16
11.4	76.0	21.4	3.34	54.74
5.9	48.0	9.9	2.44	39.99
5.8	44.0	11.0	2.82	46.22
3.0	23.0	6.0	2.82	46.22
3.7	23.0	6.6	3.34	54.74

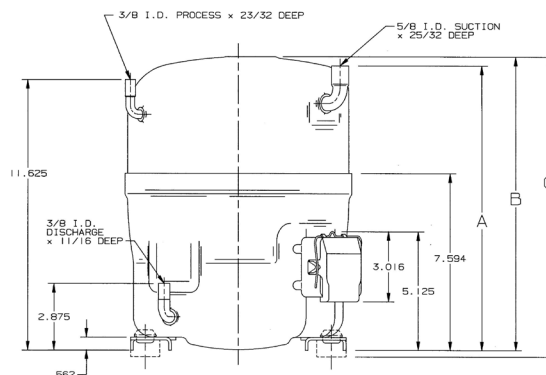
*Data Subject to Revision

60 HZ

Model	Oil Charge OZ L		Weight Net Ship Lbs Kg Lbs Kg				ELECTRICAL START COMPONENTS			DIMENSIONS					
							Run Capacitor MFD/VOLTS	Start Capacitor MFD/VOLTS	G.E. Relay	*DIAGRAMS FOUND ON PAGE 55					
										A	B		C		
IN	MM	IN	MM	IN	MM										
M63B872BBC	40	1	60.3	27.4	63.8	29.0	25/370	145-175/250	GE3ARR3*3U*	12.24	310.77	12.63	320.68	12.91	327.81
M63B982BBC	40	1	60.3	27.4	63.8	29.0	25/370	145-175/250	GE3ARR3*3U*	12.24	310.77	12.63	320.68	12.91	327.81
M63B123BBC	40	1	63.0	28.6	66.0	30.0	25/440	161-193/250	GE3ARR3*24T*	12.77	324.26	13.25	336.55	13.53	343.69
M63B153BBC	40	1	62.0	28.1	65.5	29.8	35/440	161-193/250	GE3ARR3*24T*	12.77	324.26	13.25	336.55	13.53	343.69
M63B203BBC	40	1	61.0	27.7	64.5	29.3	40/440	145-175/250	GE3ARR3*24T*	12.77	324.26	13.25	336.55	13.53	343.69
M63B123DBL	40	1	56.0	25.5	59.5	26.6	NA	NA	NA	12.77	324.26	13.25	336.55	13.53	343.69
M63B153DBL	40	1	60.3	27.4	63.8	29.0	NA	NA	NA	12.77	324.26	13.25	336.55	13.53	343.69
M63B203DBD	40	1	63.0	28.6	66.5	30.2	NA	NA	NA	12.77	324.26	13.25	336.55	13.53	343.69
M63B153DBV	40	1	60.3	27.4	63.8	29.0	NA	NA	NA	12.77	324.26	13.25	336.55	13.53	343.69

50 HZ

Model	Oil Charge OZ L		Weight Net Ship Lbs Kg Lbs Kg				ELECTRICAL START COMPONENTS			DIMENSIONS					
							Run Capacitor MFD/VOLTS	Start Capacitor MFD/VOLTS	G.E. Relay	*DIAGRAMS FOUND ON PAGE 55					
										A	B		C		
IN	MM	IN	MM	IN	MM										
M63B872BBK	40	1.0	60.3	27.4	63.8	29.0	25/370	145-175/250	GE 3ARR3*10AB*	12.24	310.77	12.63	320.68	12.91	327.81
M63B982BBK	40	1.0	60.3	27.4	63.8	29.0	25/370	145-175/250	GE 3ARR3*10AT*	12.24	310.77	12.63	320.68	12.91	327.81
M63B203BBK	40	1.0	61.0	27.7	64.5	29.3	35/370	189-227/250	GE 3ARR3*10AU*	12.77	324.26	13.25	336.55	13.53	343.69
M63B123DBL	40	1.0	56.0	25.5	59.5	26.6	NA	NA	NA	12.77	324.26	13.25	336.55	13.53	343.69
M63B153DBL	40	1.0	60.3	27.4	63.8	29.0	NA	NA	NA	12.77	324.26	13.25	336.55	13.53	343.69
M63B153DBV	40	1.0	60.3	27.4	63.8	29.0	NA	NA	NA	12.77	324.26	13.25	336.55	13.53	343.69
M63B203DBE	40	1.0	63.0	28.6	66.5	30.2	NA	NA	NA	12.77	324.26	13.25	336.55	13.53	343.69



M63B

M63A SERIES

Model	@20/120 120° Subcooling 40° Suction Gas				@20/130 115° Subcooling 95° Suction Gas			
	Capacity		Motor Input	EER/COP		Capacity	Motor Input	EER
	BTU/H	WATTS		BTU/WH	W/W			
230/208 VOLTS - 1 Phase								
M63A323BBC	25375	7435	4020	6.3		30180	4320	7.0
460/380 VOLTS - 3 Phase								
M63A323DBV	25550	7486	3980	6.4		30000	4250	7.1
230/208 VOLTS - 3 Phase								
M63A273DBD	21650	6343	3470	6.2		26800	3730	7.2
230/200 VOLTS - 3 Phase								
M63A323DBL	25550	7486	3980	6.4		30000	4250	7.1
M63A243DBL	20450	5992	3180	6.4		23780	3285	7.2
575 VOLTS - 3 Phase								
M63A273DBF	21650	6343	3470	6.2		26000	3650	7.1
460 VOLTS - 3 Phase								
M63A273DBE	31644	9271	3470	6.2		26650	3600	7.4



Electrical Data			Displacement	
RLA	LRA	MCC	IN ³ /REV	CM ³ /REV
20.4	138	40.0	5.55	90.90
6.1	53.0	11.0	5.55	90.90
10.8	70.0	18.0	4.75	77.84
12.3	106	24.0	5.55	90.90
9.4	78.0	18.6	4.43	72.53
4.1	36.0	8.0	4.75	77.84
5.2	30.0	9.0	4.75	77.84

M63A SERIES

Model	@20/120 120° Subcooling 40° Suction Gas				@20/130 115° Subcooling 95° Suction Gas			
	Capacity		Motor Input	EER/COP		Capacity	Motor Input	EER
	BTU/H	WATTS		BTU/WH	W/W			
500 VOLTS - 3 Phase								
M63A273DBF	18050	5288	2825	6.4		20500	2880	7.1
220/200 VOLTS - 3 Phase								
M63A273DBD	17965	5264	2880	6.2		22010	3100	7.1
380/415 VOLTS - 3 Phase								
M63A243DBV	16083	4712	2567	6.3		19505	2672	7.3
M63A323DBV	22250	6519	3425	6.5		25450	3530	7.2
220/200 VOLTS - 3 Phase								
M63A243DBL	16390	4802	2610	6.3		18675	2665	7.0
M63A323DBL	22250	6519	3450	6.4		25000	3550	7.0

Electrical Data			Displacement	
RLA	LRA	MCC	IN ³ /REV	CM ³ /REV
4.0	36.0	8.0	4.75	77.84
10.8	70.0	18.0	4.48	73.41
4.7	39.0	9.0	4.43	72.53
6.1	53.0	11.0	5.55	90.90
9.7	78.0	18.6	4.43	72.53
12.5	106	22.5	5.55	90.90

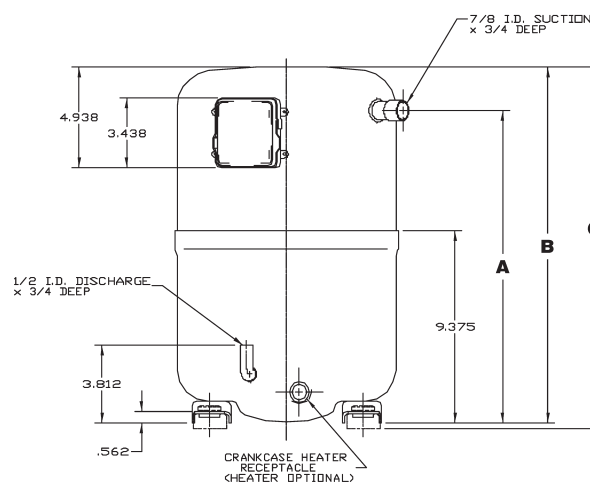
*Data Subject to Revision

60 HZ

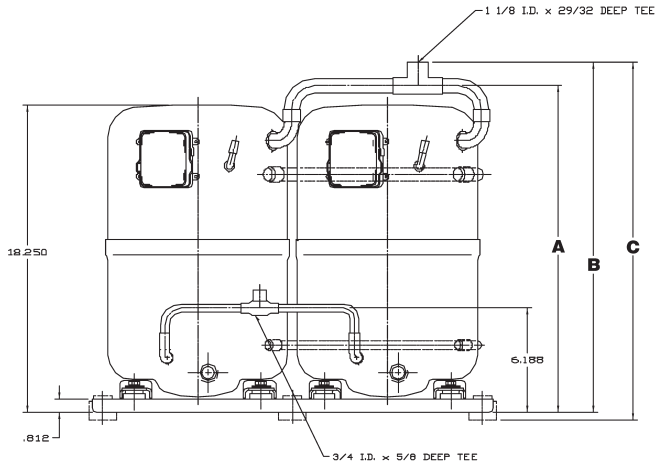
Model	Oil Charge		Weight				ELECTRICAL START COMPONENTS			DIMENSIONS					
							Run Capacitor	Start Capacitor	G.E. Relay	*DIAGRAMS FOUND ON PAGE 57					
	OZ	L	Lbs	Kg	Lbs	Kg	MFD/VOLTS	MFD/VOLTS		A		B		C	
M63A323BBC	55	2.0	87.5	39.8	92.0	41.8	45/440	135-155/330	GE 3ARR3*4A*	15.69	398.48	16.13	409.58	16.41	416.71
M63A323DBV	55	2.0	79.5	36.1	84.0	38.2	NA	NA	NA	15.69	398.48	16.13	409.58	16.41	416.71
M63A273DBD	50	2.0	73.0	33.2	84.0	38.2	NA	NA	NA	14.19	360.38	14.63	371.48	14.91	378.61
M63A323DBL	55	2.0	79.5	36.1	84.0	38.2	NA	NA	NA	15.69	398.48	16.13	409.58	16.41	416.71
M63A243DBL	50	2.0	74.0	36.3	78.5	35.7	NA	NA	NA	14.19	360.38	14.63	371.48	14.91	378.61
M63A273DBF	50	2.0	74.0	36.3	78.5	35.7	NA	NA	NA	14.19	360.38	14.63	371.48	14.91	378.61
M63A273DBE	50	2.0	72.0	32.7	83.0	37.7	NA	NA	NA	14.19	360.38	14.63	371.48	14.91	378.61

50 HZ

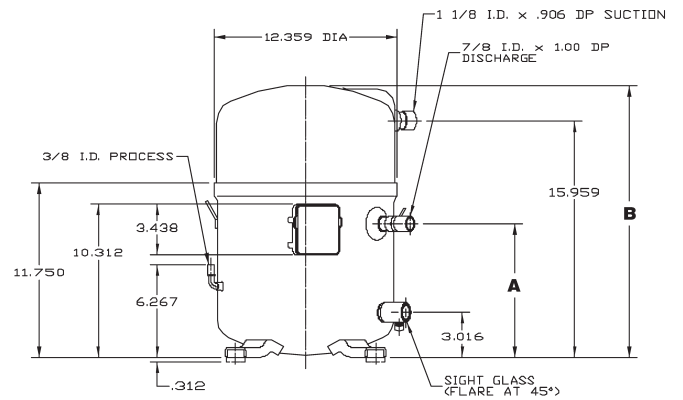
Model	Oil Charge		Weight				ELECTRICAL START COMPONENTS			DIMENSIONS					
							Run Capacitor	Start Capacitor	G.E. Relay	*DIAGRAMS FOUND ON PAGE 57					
	OZ	L	Lbs	Kg	Lbs	Kg	MFD/VOLTS	MFD/VOLTS		A		B		C	
M63A273DBF	50	2.0	74.0	36.3	78.5	35.7	NA	NA	NA	14.19	360.38	14.63	371.48	14.91	378.61
M63A273DBD	50	2.0	73.0	33.2	84.0	38.2	NA	NA	NA	14.19	360.38	14.63	371.48	14.91	378.61
M63A243DBV	50	2.0	74.0	36.3	78.5	35.7	NA	NA	NA	14.19	360.38	14.63	371.48	14.91	378.61
M63A323DBV	55	2.0	79.5	36.1	84.0	38.2	NA	NA	NA	15.69	398.48	16.13	409.58	16.41	416.71
M63A243DBL	50	2.0	74.0	36.3	78.5	35.7	NA	NA	NA	14.19	360.38	14.63	371.48	14.91	378.61
M63A323DBL	55	2.0	79.5	36.1	84.0	38.2	NA	NA	NA	15.69	398.48	16.13	409.58	16.41	416.71



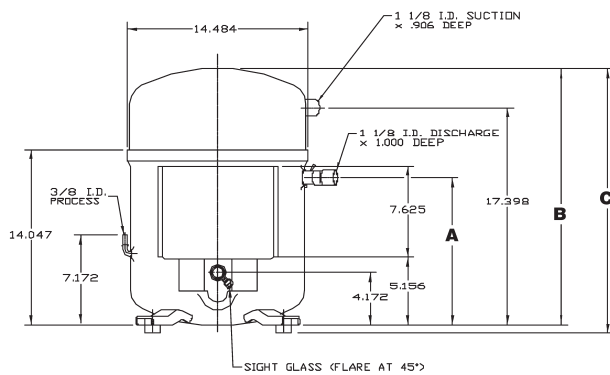
M63A



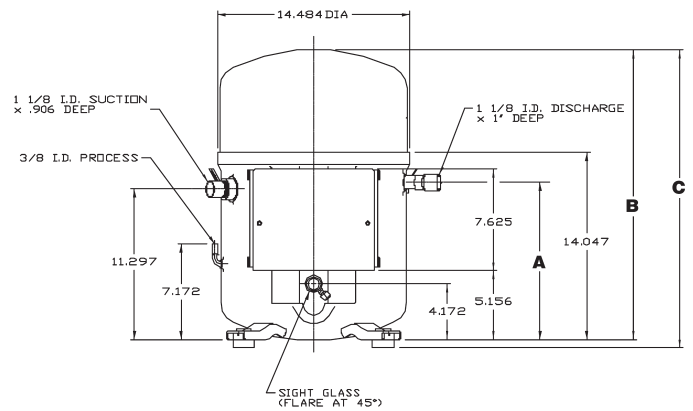
H25D



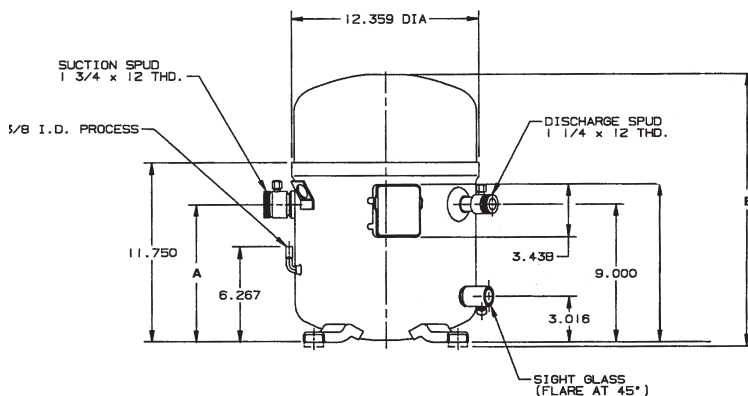
**H25G & H75G
(094-144)**



**H25G & H75G
(184-294)**



**H2NG & H7NG
(184-294)**



H2BG & H7BG

PLEASE NOTE:

**MODELS ON THE
FOLLOWING PAGES
HAVE BEEN MADE
OBSOLETE BY
BRISTOL COMPRESSORS.**

**THEY ARE
PROVIDED FOR
REFERENCE ONLY
FOR YOUR
CONVENIENCE.**



H27BQ SERIES

Model	@45/130					@45/100		
	Capacity		Motor Input	EER/COP		Capacity	Motor Input	EER
	BTU/H	WATTS		BTU/WH	W/W			
230/208 - 1 Phase								
H27B15QCBC	15500	4548	1410	11.0	3.2	20692	1137	18.2
H27B17QCBC	17500	5135	1590	11.0	3.2	22994	1243	18.5
H27B18QCBC	18400	5399	1680	11.0	3.2	24356	1306	18.6
H27B20QCBC	20900	6133	1830	11.4	3.4	27319	1425	19.2
H27B22QCBC	22800	6690	2000	11.4	3.3	29721	1556	19.1
H27B24QCBC	24100	7071	2110	11.4	3.4	30977	1630	19.0
H27B26QCBC	27000	7922	2370	11.4	3.3	34398	1813	19.0
H27B28QCBC	28500	8363	2500	11.4	3.3	36318	1961	18.5
H27B30QCBC	30600	8979	2680	11.4	3.4	38038	2065	18.4
H27B32QCBC	32900	9654	2890	11.4	3.3	41000	2230	18.4
H27B35QCBC	34900	10240	3080	11.3	3.3	44086	2395	18.4



Electrical Data			Displacement	
RLA	LRA	MCC	IN ³ /REV	CM ³ /REV
6.2	48	11.0	1.72	28.17
7.1	48	14.0	1.89	30.96
7.5	48	13.2	1.97	32.27
8.1	57	15.0	2.17	35.54
8.9	59	17.0	2.32	38.00
9.4	66	19.0	2.44	39.97
10.4	66	21.0	2.70	44.23
11.1	74	23.0	2.82	46.19
11.7	74	23.0	2.97	48.65
12.6	79	22.0	3.15	51.60
13.9	90	25.0	3.34	54.71

H26BQ SERIES

230/208 VOLTS - 1 Phase

H26B15QCBC	15200	4460	1340	11.0	3.3	19739	1125	17.5
H26B17QCBC	17300	5076	1575	11.0	3.2	22580	1238	18.2
H26B18QCBC	18300	5370	1635	11.2	3.3	23847	1302	18.3
H26B20QCBC	20600	6044	1839	11.2	3.3	26545	1468	18.1
H26B22QCBC	22000	6455	1964	11.2	3.3	28230	1535	18.4
H26B24QCBC	24000	7042	2136	11.2	3.3	30283	1653	18.3
H26B26QCBC	27300	8010	2424	11.3	3.3	34188	1876	18.2
H26B28QCBC	28700	8421	2564	11.2	3.3	35926	1999	18.0
H26B30QCBC	30700	9008	2724	11.3	3.3	38021	2067	18.4

6.4	48	11.0	1.72	28.12
7	48	13.0	1.89	30.91
7.3	48	13.0	1.97	32.33
8.4	57	14.5	2.17	35.59
8.7	59	17.0	2.32	38.05
9.4	64	17.0	2.44	39.95
10.7	75	21.0	2.70	44.23
11.9	85	20.0	2.82	46.21
12.1	85	21.5	2.97	48.58

H25BQ SERIES

220/240 VOLTS - 1 Phase

H25B17QABH	14600	4284	1365	10.7	3.1	19136	1072	17.9
H25B18QABH	15100	4431	1410	10.7	3.1	19712	1094	18.0
H25B22QABH	19700	5780	1810	10.9	3.2	25041	1403	17.8
H25B24QABH	21200	6221	1945	10.9	3.2	26538	1511	17.6
H25B26QABH	23300	6837	2140	10.9	3.2	29171	1665	17.5
H25B28QABH	25000	7336	2275	11.0	3.2	30807	1755	17.6
H25B30QABH	26500	7776	2430	10.9	3.2	32830	1892	17.4
H25B32QABH	28000	8216	2595	10.8	3.2	35023	1982	17.7
H25B35QABH	30000	8803	2780	10.8	3.2	37442	2152	17.4

6.2	42	12.0	1.89	30.91
6.7	42	14.0	1.97	32.33
8.4	55	17.0	2.32	38.05
9.4	64	20.0	2.44	39.95
10.4	70	20.0	2.70	44.16
10.7	70	20.0	2.82	46.21
11.6	76	21.0	2.97	48.58
12.4	76	22.0	3.15	51.63
13.4	85	23.0	3.34	54.69

220/200 VOLTS - 3 Phase

H25B22QDBL	19900	5839	1840	10.8	3.2	24972	1462	17.1
H25B24QDBL	20900	6133	1935	10.8	3.2	26461	1503	17.6
H25B28QDBL	24800	7277	2295	10.8	3.2	31021	1816	17.1
H25B30QDBL	26200	7688	2380	11.0	3.2	32657	1851	17.6
H25B32QDBL	28000	8216	2545	11.0	3.2	34962	1953	17.9
H25B35QDBL	30000	8803	2750	10.9	3.2	37784	2160	17.5

6.8	60	13.0	2.32	38.05
6.8	60	14.0	2.44	39.95
8.5	72	14.5	2.82	46.21
8.9	82	15.0	2.96	48.48
9.3	82	17.0	3.15	51.63
9.8	82	17.0	3.34	54.69

380/415 VOLTS - 3 Phase

H25B22QDBE	19600	5751	1815	10.8	3.2	24597	1440	17.1
H25B24QDBE	20900	6133	1935	10.8	3.2	26557	1450	18.3
H25B28QDBE	24800	7277	2295	10.8	3.2	31021	1816	17.1
H25B30QDBE	26200	7688	2380	11.0	3.2	32657	1851	17.6
H25B32QDBE	27800	8157	2525	11.0	3.2	34613	1934	17.9
H25B35QDBE	29700	8715	2730	10.9	3.2	37404	2136	17.5

3.3	30	6.0	2.32	38.05
3.4	30	6.5	2.44	39.95
4.0	38	7.8	2.82	46.21
4.2	42	8.0	2.97	48.58
4.6	42	9.0	3.15	51.63
4.9	42	9.0	3.34	54.69

*Data Subject to Revision

60 HZ

Model	Oil Charge		Weight				ELECTRICAL START COMPONENTS			DIMENSIONS					
							Run Capacitor	Start Capacitor	G.E. Relay	*DIAGRAMS FOUND ON PAGE 90					
	OZ	L	Net Lbs	Net Kg	Ship Lbs	Ship Kg	MFD/VOLTS	MFD/VOLTS		A		B		C	
H27B15QCBC	35	1.0	68.5	31.1	72.0	32.7	25/370	161-193/250	3ARR3*3S*	12.2	310.7	14.8	374.4	15.0	381.5
H27B17QCBC	35	1.0	68.5	31.1	72.0	32.7	25/370	161-193/250	3ARR3*3S*	12.2	310.7	14.8	374.4	15.0	381.5
H27B18QCBC	35	1.0	68.5	31.1	72.0	32.7	25/370	161-193/250	3ARR3*3S*	12.2	310.7	14.8	374.4	15.0	381.5
H27B20QCBC	35	1.0	70.5	32.0	74.0	33.6	35/370	189-227/250	3ARR3*3N*	12.5	317.0	15.0	380.7	15.3	387.8
H27B22QCBC	35	1.0	70.5	32.0	74.0	33.6	35/370	189-227/250	3ARR3*3N*	12.5	317.0	15.0	380.7	15.3	387.8
H27B24QCBC	35	1.0	70.5	32.0	74.0	33.6	35/370	189-227/250	3ARR3*3R*	12.5	317.0	15.0	380.7	15.3	387.8
H27B26QCBC	35	1.0	70.5	32.0	74.0	33.6	35/370	189-227/250	3ARR3*3R*	12.5	317.0	15.0	380.7	15.3	387.8
H27B28QCBC	35	1.0	70.5	32.0	74.0	33.6	35/370	243-292/250	3ARR3*3U*	12.5	317.0	15.0	380.7	15.3	387.8
H27B30QCBC	35	1.0	70.5	32.0	74.0	33.6	40/370	243-292/250	3ARR3*3V*	12.5	317.0	15.0	380.7	15.3	387.8
H27B32QCBC	35	1.0	70.5	32.0	74.0	33.6	40/370	243-292/250	3ARR3*3U*	12.5	317.0	15.0	380.7	15.3	387.8
H27B35QCBC	40	1.2	70.5	32.0	74.0	33.6	45/370	243-292/250	3ARR3*3U*	12.5	317.0	15.0	380.7	15.3	387.8

60 HZ

H26B15QCBC	35	1.0	68.0	30.9	72.0	32.7	25/370	161-193/250	3ARR3*3S*	12.2	310.7	14.8	374.4	15.0	381.5
H26B17QCBC	35	1.0	68.0	30.9	72.0	32.7	25/370	161-193/250	3ARR3*3S*	12.2	310.7	14.8	374.4	15.0	381.5
H26B18QCBC	35	1.0	68.0	30.9	72.0	32.7	25/370	161-193/250	3ARR3*3S*	12.2	310.7	14.8	374.4	15.0	381.5
H26B20QCBC	35	1.0	69.5	31.6	73.5	33.4	35/370	189-227/250	3ARR3*3N*	12.5	317.2	15.0	380.7	15.3	387.8
H26B22QCBC	35	1.0	69.5	31.6	73.5	33.4	35/370	189-227/250	3ARR3*3N*	12.5	317.0	15.0	380.7	15.3	387.8
H26B24QCBC	35	1.0	69.5	31.6	73.5	33.4	35/370	189-227/250	3ARR3*3R*	12.5	317.0	15.0	380.7	15.3	387.8
H26B26QCBC	35	1.0	69.5	31.6	73.5	33.4	35/370	189-227/250	3ARR3*3P*	12.5	317.0	15.0	380.7	15.3	387.8
H26B28QCBC	35	1.0	69.5	31.6	73.5	33.4	35/370	243-292/250	3ARR3*3R*	12.5	317.0	15.0	380.7	15.3	387.8
H26B30QCBC	35	1.0	69.5	31.6	73.5	33.4	40/370	243-292/250	3ARR3*3R*	13.5	342.6	15.0	380.7	15.3	387.8

50 HZ

H25B17QABH	35	1.0	62.5	28.4	65.5	29.8	30/370	145-175/250	3ARR3*10S*	13.3	336.8	14.2	361.7	14.5	368.8
H25B18QABH	35	1.0	62.5	28.4	65.5	29.8	30/370	145-175/250	3ARR3*10S*	11.7	298.0	14.2	361.7	14.5	368.8
H25B22QABH	35	1.0	64.0	29.1	67.0	30.5	30/440	88-108/330	3ARR3*10S*	11.7	298.0	14.2	361.7	14.5	368.8
H25B24QABH	35	1.0	64.0	29.1	67.0	30.5	35/370	145-175/250	3ARR3*10U*	11.7	298.0	14.2	361.7	14.5	368.8
H25B26QABH	35	1.0	65.8	29.9	68.8	31.3	40/370	145-175/250	3ARR3*10S*	12.2	310.7	14.8	374.4	15.0	381.5
H25B28QABH	35	1.0	65.8	29.9	68.8	31.3	40/370	88-108/250	3ARR3*3L*	12.2	310.7	14.8	374.4	15.0	381.5
H25B30QABH	35	1.0	68.0	30.9	71.0	32.3	40/370	145-175/250	3ARR3*10S*	12.2	310.7	14.8	374.4	15.0	381.5
H25B32QABH	35	1.0	68.0	30.9	71.0	32.3	40/370	145-175/250	3ARR3*10S*	12.2	310.7	14.8	374.4	15.0	381.5
H25B35QABH	40	1.2	69.5	31.6	72.8	33.1	45/370	145-175/250	3ARR3*10S*	12.5	317.0	15.0	380.7	15.3	387.8

H25B22QDBL	35	1.0	61.0	27.7	64.0	29.1	-Not Req'd	-Not Req'd	-Not Req'd	11.7	298.0	14.2	361.7	14.5	368.8
H25B24QDBL	35	1.0	61.0	27.7	64.0	29.1	-Not Req'd	-Not Req'd	-Not Req'd	11.8	298.2	14.2	361.7	14.5	368.8
H25B28QDBL	35	1.0	62.5	28.4	65.5	29.8	-Not Req'd	-Not Req'd	-Not Req'd	11.7	298.0	14.2	361.7	14.5	368.8
H25B30QDBL	35	1.0	66.5	30.2	69.5	31.6	-Not Req'd	-Not Req'd	-Not Req'd	12.2	310.7	14.8	374.4	15.0	381.5
H25B32QDBL	35	1.0	66.5	30.2	69.5	31.6	-Not Req'd	-Not Req'd	-Not Req'd	12.2	310.7	14.8	374.4	15.0	381.5
H25B35QDBL	40	1.2	66.5	30.2	69.5	31.6	-Not Req'd	-Not Req'd	-Not Req'd	12.2	310.7	14.8	374.4	15.0	381.5

H25B22QDBE	35	1.0	61.0	27.7	64.0	29.1	-Not Req'd	-Not Req'd	-Not Req'd	11.7	298.0	14.2	361.7	14.5	368.8
H25B24QDBE	35	1.0	61.0	27.7	64.0	29.1	-Not Req'd	-Not Req'd	-Not Req'd	11.7	298.0	14.2	361.7	14.5	368.8
H25B28QDBE	35	1.0	62.5	28.4	65.5	29.8	-Not Req'd	-Not Req'd	-Not Req'd	11.7	298.0	14.2	361.7	14.5	368.8
H25B30QDBE	35	1.0	66.5	30.2	69.5	31.6	-Not Req'd	-Not Req'd	-Not Req'd	12.2	310.7	14.8	374.4	15.0	381.5
H25B32QDBE	35	1.0	66.5	30.2	69.5	31.6	-Not Req'd	-Not Req'd	-Not Req'd	12.2	310.7	14.8	374.4	15.0	381.5
H25B35QDBE	40	1.2	66.5	30.2	69.5	31.6	-Not Req'd	-Not Req'd	-Not Req'd	12.2	310.7	14.8	374.4	15.0	381.5

H25BQ SERIES



Model	@45/130					@45/100		
	Capacity		Motor Input	EER/COP		Capacity	Motor Input	EER
	BTU/H	WATTS		BTU/WH	W/W			
230/208 VOLTS - 1 Phase								
H25B15QABC	15400	4519	1440	10.7	3.1	20801	1185	17.6
H25B17QABC	16900	4959	1580	10.7	3.1	21677	1253	17.3
H25B18QABC	18000	5282	1665	10.8	3.2	23258	1329	17.5
H25B20QABC	20600	6044	1905	10.8	3.2	26020	1509	17.2
H25B22QABC	22700	6661	2065	11.0	3.2	28591	1629	17.6
H25B24QABC	24000	7042	2180	11.0	3.2	30608	1740	17.6
H25B26QABC	26900	7893	2445	11.0	3.2	33658	1965	17.1
H25B28QABC	28300	8304	2570	11.0	3.2	36166	2076	17.4
H25B30QABC	30300	8891	2755	11.0	3.2	37905	2228	17.0
H25B32QABC	32200	9448	2925	11.0	3.2	40233	2339	17.2
H25B35QABC	35000	10270	3180	11.0	3.2	43761	2510	17.4

265 VOLTS - 1 Phase								
H25B17QABH	16900	4959	1565	10.8	3.2	21677	1253	17.3
H25B18QABH	18000	5282	1665	10.8	3.2	23258	1329	17.5
H25B22QABH	22700	6661	2065	11.0	3.2	28591	1629	17.6
H25B24QABH	24200	7101	2200	11.0	3.2	30608	1740	17.6
H25B26QABH	26900	7893	2445	11.0	3.2	33658	1965	17.1
H25B28QABH	28500	8363	2590	11.0	3.2	35498	2077	17.1
H25B30QABH	30300	8891	2780	10.9	3.2	37905	2228	17.0
H25B32QABH	32200	9448	2925	11.0	3.2	40527	2292	17.7
H25B35QABH	34700	10182	3155	11.0	3.2	43283	2527	17.1

230/200 VOLTS - 3 Phase								
H25B22QDBL	22700	6661	2065	11.0	3.2	28132	1634	17.2
H25B24QDBL	23800	6983	2165	11.0	3.2	29921	1682	17.8
H25B28QDBL	28200	8274	2565	11.0	3.2	35166	2043	17.2
H25B30QDBL	30000	8803	2700	11.1	3.3	37849	2122	17.8
H25B32QDBL	32000	9389	2910	11.0	3.2	40265	2294	17.6
H25B35QDBL	34300	10064	3120	11.0	3.2	43164	2492	17.3

460 VOLTS - 3 Phase								
H25B22QDBE	22700	6661	2065	11.0	3.2	28132	1634	17.2
H25B24QDBE	23800	6983	2165	11.0	3.2	29921	1682	17.8
H25B28QDBE	28200	8274	2565	11.0	3.2	35166	2043	17.2
H25B30QDBE	30000	8803	2700	11.1	3.3	37849	2122	17.8
H25B32QDBE	32000	9389	2910	11.0	3.2	40265	2294	17.6
H25B35QDBE	34300	10064	3120	11.0	3.2	43164	2492	17.3

Electrical Data			Displacement	
RLA	LRA	MCC	IN ³ /REV	CM ³ /REV
6.4	48	12.0	1.72	28.12
7.0	48	14.0	1.89	30.91
7.4	48	14.0	1.97	32.33
8.6	60	17.0	2.17	35.59
9.4	60	18.0	2.32	38.05
9.6	61	20.0	2.44	39.95
11.0	68	21.0	2.70	44.16
11.5	73	23.0	2.82	46.21
12.5	81	23.0	2.97	48.58
13.0	81	23.5	3.15	51.63
14.2	94	27.0	3.34	54.69

6.2	44	12.0	1.89	30.96
6.5	44	14.0	1.97	32.27
8.0	58	16.0	2.32	38.00
8.6	67	18.0	2.44	39.97
9.8	72	20.0	2.70	44.23
10.2	72	20.0	2.82	46.19
11.1	80	21.0	2.97	48.65
11.8	80	22.0	3.15	51.60
12.4	90	23.0	3.34	54.71

6.2	58	13.5	2.32	38.05
6.5	58	14.0	2.44	39.95
7.8	68	14.5	2.82	46.21
8.2	78	15.0	2.97	48.58
8.8	78	17.0	3.15	51.63
9.2	78	17.0	3.34	54.69

3.1	30	6.0	2.32	38.05
3.3	30	6.5	2.44	39.95
3.9	36	7.8	2.82	46.21
4.1	40	8.5	2.97	48.58
4.4	40	9.0	3.15	51.63
4.6	40	9.0	3.34	54.69

*Data Subject to Revision

Model	Oil Charge		Weight				ELECTRICAL START COMPONENTS			DIMENSIONS					
							Run Capacitor	Start Capacitor	G.E. Relay	*DIAGRAMS FOUND ON PAGE 90					
	OZ	L	Lbs	Net Kg	Ship Lbs	Kg	MFD/VOLTS	MFD/VOLTS		A		B		C	
									IN	MM	IN	MM	IN	MM	
H25B15QABC	35	1.0	60.3	27.4	63.3	28.8	30/370	161-193/250	3ARR3*3V*	11.2	285.3	13.8	349.0	14.0	356.1
H25B17QABC	35	1.0	60.3	27.4	63.3	28.8	30/370	161-193/250	3ARR3*3V*	11.2	285.3	13.8	349.0	14.0	356.1
H25B18QABC	35	1.0	60.3	27.4	63.3	28.8	30/370	161-193/250	3ARR3*3V*	11.2	285.3	13.8	349.0	14.0	356.1
H25B20QABC	35	1.0	62.5	28.4	65.5	29.8	30/370	145-175/250	3ARR3*3U*	11.7	298.0	14.2	361.7	14.5	368.8
H25B22QABC	35	1.0	62.5	28.4	65.5	29.8	30/370	145-175/250	3ARR3*3U	11.7	298.0	14.2	361.7	14.5	368.8
H25B24QABC	35	1.0	64.0	29.1	67.0	30.5	35/370	145-175/250	3ARR3*3T*	11.7	298.0	14.2	361.7	14.5	368.8
H25B26QABC	35	1.0	64.0	29.1	67.0	30.5	35/370	145-175/250	3ARR3*3S*	11.7	298.0	14.2	361.7	14.5	368.8
H25B28QABC	35	1.0	64.0	29.1	67.0	30.5	35/370	145-175/250	3ARR3*3T*	11.7	298.0	14.2	361.7	14.5	368.8
H25B30QABC	35	1.0	66.0	30.0	69.0	31.4	40/370	145-175/250	3ARR3*3P*	12.2	310.7	14.8	374.4	15.0	381.5
H25B32QABC	35	1.0	66.0	30.0	69.0	31.4	40/370	145-175/250	3ARR3*3P*	12.2	310.7	14.8	374.4	15.0	381.5
H25B35QABC	40	1.2	68.0	30.9	71.3	32.4	45/370	145-175/250	3ARR3*3N*	12.2	310.7	14.8	374.4	15.0	381.5
H25B17QABH	35	1.0	62.5	28.4	66.0	30.0	25/440	88-108/330	3ARR3*10U*	13.3	336.8	14.2	361.7	14.5	368.8
H25B18QABH	35	1.0	62.5	28.4	66.0	30.0	25/440	88-108/330	3ARR3*10U*	11.7	298.0	14.2	361.7	14.5	368.8
H25B22QABH	35	1.0	64.0	29.1	67.5	30.7	35/370	145-175/250	3ARR3*10U*	11.7	298.0	14.2	361.7	14.5	368.8
H25B24QABH	35	1.0	64.0	29.1	67.5	30.7	30/440	88-108/330	3ARR3*10S*	11.7	298.0	14.2	361.7	14.5	368.8
H25B26QABH	35	1.0	65.8	29.9	69.3	31.5	30/440	88-108/330	3ARR3*10S*	12.2	310.7	14.8	374.4	15.0	381.5
H25B28QABH	35	1.0	65.8	29.9	69.3	31.5	40/370	145-175/250	3ARR3*3L*	12.2	310.7	14.8	374.4	15.0	381.5
H25B30QABH	35	1.0	68.0	30.9	71.5	32.5	30/440	88-108/330	3ARR3*10S*	12.2	310.7	14.8	374.4	15.0	381.5
H25B32QABH	35	1.0	68.0	30.9	71.5	32.5	30/440	88-108/330	3ARR3*10S*	12.2	310.7	14.8	374.4	15.0	381.5
H25B35QABH	40	1.2	69.5	31.6	73.0	33.2	35/440	88-108/330	3ARR3*10S*	12.5	317.0	15.0	380.7	15.3	387.8
H25B22QDBL	35	1.0	61.0	27.7	64.0	29.1	-Not Req'd	-Not Req'd	-Not Req'd	11.7	298.0	14.2	361.7	14.5	368.8
H25B24QDBL	35	1.0	61.0	27.7	64.0	29.1	-Not Req'd	-Not Req'd	-Not Req'd	11.8	298.2	14.2	361.7	14.5	368.8
H25B28QDBL	35	1.0	62.5	28.4	65.5	29.8	-Not Req'd	-Not Req'd	-Not Req'd	11.7	298.0	14.2	361.7	14.5	368.8
H25B30QDBL	35	1.0	66.5	30.2	69.5	31.6	-Not Req'd	-Not Req'd	-Not Req'd	12.2	310.7	14.8	374.4	15.0	381.5
H25B32QDBL	35	1.0	66.5	30.2	69.5	31.6	-Not Req'd	-Not Req'd	-Not Req'd	12.2	310.7	14.8	374.4	15.0	381.5
H25B35QDBL	40	1.2	66.5	30.2	69.8	31.7	-Not Req'd	-Not Req'd	-Not Req'd	12.2	310.7	14.8	374.4	15.0	381.5
H25B22QDBE	35	1.0	61.0	27.7	64.0	29.1	-Not Req'd	-Not Req'd	-Not Req'd	11.7	298.0	14.2	361.7	14.5	368.8
H25B24QDBE	35	1.0	61.0	27.7	64.0	29.1	-Not Req'd	-Not Req'd	-Not Req'd	11.7	298.0	14.2	361.7	14.5	368.8
H25B28QDBE	35	1.0	62.5	28.4	65.5	29.8	-Not Req'd	-Not Req'd	-Not Req'd	11.7	298.0	14.2	361.7	14.5	368.8
H25B30QDBE	35	1.0	66.5	30.2	69.5	31.6	-Not Req'd	-Not Req'd	-Not Req'd	12.2	310.7	14.8	374.4	15.0	381.5
H25B32QDBE	35	1.0	66.5	30.2	69.5	31.6	-Not Req'd	-Not Req'd	-Not Req'd	12.2	310.7	14.8	374.4	15.0	381.5
H25B35QDBE	40	1.2	66.5	30.2	69.8	31.7	-Not Req'd	-Not Req'd	-Not Req'd	12.2	310.7	14.8	374.4	15.0	381.5

H24BQ SERIES

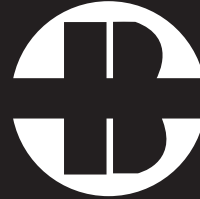
Model	@45/130					@45/100		
	Capacity		Motor Input	EER/COP		Capacity	Motor Input	EER
	BTU/H	WATTS		BTU/WH	W/W			
230/208 VOLTS - 1 Phase								
H24B13QABC	12600	3697	1570	8.0	2.4	17172	1304	13.2
H24B15QABC	14700	4313	1800	8.2	2.4	20074	1523	13.2
H24B17QABC	16550	4856	2010	8.2	2.4	22494	1676	13.4
H24B19QABC	18900	5546	2180	8.7	2.5	24920	1765	14.1
H24B20QABC	19400	5692	2285	8.5	2.5	25728	1781	14.4
H24B21QABC	20200	5927	2270	8.9	2.6	27033	1870	14.5
H24B22QABC	21800	6397	2460	8.9	2.6	28954	2070	14.0
H24B24QABC	23200	6807	2610	8.9	2.6	29833	2145	13.9
H24B26QABC	25800	7570	2890	8.9	2.6	33095	2412	13.7
H24B28QABC	27350	8025	3080	8.9	2.6	34977	2571	13.6
H24B29QABC	29000	8509	3270	8.9	2.6	37360	2690	13.9
H24B31QABC	30000	8803	3420	8.8	2.6	38561	2860	13.5

265 VOLTS - 1 Phase								
H24B15QABH	14700	4313	1770	8.3	2.4	20160	1498	13.5
H24B17QABH	17150	5032	1970	8.7	2.6	23266	1674	13.9
H24B19QABH	18900	5546	2100	9.0	2.6	24248	1730	14.0
H24B22QABH	22300	6543	2430	9.2	2.7	28961	2075	14.0
H24B24QABH	23750	6969	2560	9.3	2.7	29833	2104	14.2
H24B26QABH	26400	7746	2810	9.4	2.8	33095	2349	14.1
H24B28QABH	28250	8289	3020	9.4	2.7	35146	2514	14.0

H24BQSERIES

220/240 - 1 Phase								
H24B15QABH	12500	3668	1500	8.3	2.4	17142	1269	13.5
H24B17QABH	13800	4049	1630	8.5	2.5	19297	1377	14.0
H24B19QABK	15300	4489	1800	8.5	2.5	20409	1483	13.8
H24B20QABK	16600	4871	1870	8.9	2.6	21765	1545	14.1
H24B22QABH	18200	5340	2065	8.8	2.6	23752	1704	13.9
H24B24QABH	19900	5839	2190	9.1	2.7	25625	1800	14.2
H24B26QABH	21600	6338	2380	9.1	2.7	27745	1990	13.9
H24B28QABH	23300	6837	2550	9.1	2.7	29997	2123	14.1
H24B29QABK	24250	7115	2700	9.0	2.6	31241	2216	14.1
H24B31QABK	25800	7570	2830	9.1	2.7	33161	2366	14.0

230/208 - 1 Phase								
H24B15QABJ	12500	3668	1500	8.3	2.4	17142	1269	13.5
H24B17QABJ	14100	4137	1640	8.6	2.5	19019	1353	14.1
H24B19QABJ	15500	4548	1780	8.7	2.6	20677	1466	14.1
H24B22QABJ	17800	5223	2020	8.8	2.6	23752	1704	13.9
H24B24QABJ	19350	5678	2170	8.9	2.6	25019	1787	14.0



Electrical Data			Displacement	
RLA	LRA	MCC	IN ³ /REV	CM ³ /REV
8.6	40	13.0	1.60	26.21
9.3	45	13.4	1.84	30.14
9.8	45	14.7	1.98	32.43
13.0	53	14.7	2.26	37.02
10.4	53	16.4	2.26	37.02
10.7	53	18.0	2.40	39.31
12.0	61	18.5	2.53	41.44
12.0	68	18.0	2.69	44.06
13.4	70	21.4	2.97	48.65
14.4	79	21.8	3.15	51.60
16.0	88	26.0	3.29	53.89
16.3	88	27.0	3.42	56.02

7.1	43	13.3	1.84	30.14
7.1	43	13.3	1.98	32.43
9.0	47	15.5	2.12	34.73
10.6	57	17.3	2.53	41.44
11.0	60	18.4	2.69	44.06
12.4	66	17.3	2.97	48.65
12.9	77	21.2	3.15	51.60

7.5	43	12.3	1.84	30.14
8.6	43	13.6	1.98	32.43
9.2	47	14.0	2.12	34.73
9.4	51	14.2	2.26	37.02
10.6	52	17.3	2.53	41.44
10.3	60	17.8	2.69	44.06
12.4	66	17.3	2.97	48.65
13.5	75	20.0	3.15	51.60
13.3	75	22.0	3.29	53.89
13.3	72	22.0	3.42	56.02

7.5	43	12.3	1.84	30.14
8.6	47	14.0	1.98	32.43
9.1	50	15.5	2.12	34.73
10.2	52	18.0	2.53	41.44
11.8	63	20.0	2.69	44.06

*Data Subject to Revision

Model	Oil Charge		Weight				ELECTRICAL START COMPONENTS			DIMENSIONS					
							Run Capacitor	Start Capacitor	G.E. Relay	*DIAGRAMS FOUND ON PAGE 90					
	OZ	L	Net Lbs	Net Kg	Ship Lbs	Ship Kg	MFD/VOLTS	MFD/VOLTS		A		B		C	
									IN	MM	IN	MM	IN	MM	
H24B13QABC	40	1.2	50	22.7	53.5	24.3	15/370	88-108/250	3ARR3*3U*	10.5	266.5	12.2	310.9	12.5	318.0
H24B15QABC	40	1.2	51	23.2	54.5	24.8	20/370	88-108/250	3ARR3*3U*	10.5	266.5	12.2	310.9	12.5	318.0
H24B17QABC	40	1.2	51	23.2	54.5	24.8	25/370	88-108-250	3ARR3*3U*	10.5	266.5	12.2	310.9	12.5	318.0
H24B19QABC	40	1.2	53	24.1	56.0	25.5	25/370	88-108/250	3ARR3*3U*	10.5	266.5	12.2	310.9	12.5	318.0
H24B20QABC	40	1.2	53	24.1	56.0	25.5	25/370	88-108/250	3ARR3*3T*	10.6	269.8	12.6	320.5	12.9	327.7
H24B21QABC	40	1.2	55	25.0	58.5	26.6	25/370	88-108/250	3ARR3*3P*	10.6	269.8	12.6	320.5	12.9	327.7
H24B22QABC	40	1.2	56	25.5	59.5	27.0	25/370	88-108/250	3ARR3*3P*	10.6	269.8	12.6	320.5	12.9	327.7
H24B24QABC	40	1.2	59	26.8	62.5	28.4	35/370	88-108/250	3ARR3*3P*	11.2	283.2	13.2	336.3	13.5	343.4
H24B26QABC	40	1.2	60	27.3	63.5	28.9	35/370	88-108/250	3ARR3*3P*	11.2	283.2	13.2	336.3	13.5	343.4
H24B28QABC	40	1.2	61	27.7	64.5	29.3	35/370	88-108/250	3ARR3*3P*	11.2	283.2	13.2	336.3	13.5	343.4
H24B29QABC	40	1.2	61	27.7	64.5	29.3	40/370	88-108/250	3ARR3*3P*	11.2	283.2	13.2	336.3	13.5	343.4
H24B31QABC	40	1.2	62	28.2	65.5	29.8	45/370	88-108/250	3ARR3*3P*	11.2	283.2	13.2	336.3	13.5	343.4
H24B15QABH	40	1.2	53	24.1	56.5	25.7	20/440	88-108/250	3ARR3*10A*	10.5	266.5	12.2	310.9	12.5	318.0
H24B17QABH	40	1.2	51	23.2	54.5	24.8	20/440	88-10/250	3ARR3*10A*	11.1	282.5	10.5	266.5	12.2	310.9
H24B19QABH	40	1.2	53	24.1	56.0	25.5	25/440	88-108/330	3ARR3*6A*	10.5	266.5	12.2	310.9	12.5	318.0
H24B22QABH	40	1.2	56	25.5	59.5	27.0	25/440	88-108/330	3ARR3*25U*	10.6	269.8	12.6	320.5	12.9	327.7
H24B24QABH	40	1.2	59	26.8	62.5	28.4	25/440	88-108/330	3ARR3*25U*	10.6	269.8	12.6	320.5	12.9	327.7
H24B26QABH	40	1.2	60	27.3	63.5	28.9	25/440	88-108/330	3ARR3*10T*	11.2	283.2	13.2	336.3	13.5	343.4
H24B28QABH	40	1.2	61	27.7	64.5	29.3	40/370	88-108/250	3ARR3*25AS*	11.2	283.2	13.2	336.3	13.5	343.4

H24B15QABH	40	1.2	53	24.1	56.5	25.7	20/370	88-108/250	3ARR3*10AT*	10.5	266.5	12.2	310.9	12.5	318.0
H24B17QABH	40	1.2	53	24.1	56.5	25.7	25/370	88-108/250	3ARR3*10AT*	10.5	266.5	12.2	310.9	12.5	318.0
H24B19QABK	40	1.2	54	24.5	57.5	26.1	25/370	88-108/330	3ARR3*25AS*	10.5	266.5	12.2	310.9	12.5	318.0
H24B20QABK	40	1.2	54	24.5	57.5	26.1	25/370	88-108/250	3ARR3*6AW*	10.6	269.8	12.6	320.5	12.9	327.7
H24B22QABH	40	1.2	56	25.5	59.5	27.0	30/370	88-108/250	3ARR3*25AS*	10.6	269.8	12.6	320.5	12.9	327.7
H24B24QABH	40	1.2	56	25.5	59.5	27.0	35/370	88-108/250	3ARR3*25AS*	10.6	269.8	12.6	320.5	12.9	327.7
H24B26QABH	40	1.2	59	26.8	62.5	28.4	35/370	88-108/250	3ARR3*25AS*	11.2	283.2	13.2	336.3	13.5	343.4
H24B28QABH	40	1.2	61	27.7	64.5	29.3	40/370	88-108/250	3ARR3*25AS*	11.2	283.2	13.2	336.3	13.5	343.4
H24B29QABK	40	1.2	61	27.7	64.5	29.3	40/370	88-108/250	3ARR3*24AP*	11.2	283.2	13.2	336.3	13.5	343.4
H24B31QABK	40	1.2	62	28.2	65.5	29.8	45/370	88-108/250	3ARR3*25AS*	11.2	283.2	13.2	336.3	13.5	343.4
H24B15QABJ	40	1.2	53	24.1	56.5	25.7	20/370	88-108/250	3ARR3*10AT*	10.5	266.5	12.2	310.9	12.5	318.0
H24B17QABJ	40	1.2	54	24.5	57.5	26.1	25/370	88-108/250	3ARR3*24AR*	10.5	266.5	12.2	310.9	12.5	318.0
H24B19QABJ	40	1.2	54	24.5	57.5	26.1	25/370	88-108/250	3ARR3*10AT*	10.6	269.8	12.6	320.5	12.9	327.7
H24B22QABJ	40	1.2	56	25.5	59.5	27.0	30/370	88-108/250	3ARR3*24AP*	10.6	269.8	12.6	320.5	12.9	327.7
H24B24QABJ	40	1.2	56	25.5	59.5	27.0	35/370	88-108/250	3ARR3*24AP*	10.6	269.8	12.6	320.5	12.9	327.7

H23B SERIES

Model	@45/130					@45/100		
	Capacity		Motor Input	EER/COP		Capacity	Motor Input	EER
	BTU/H	WATTS		BTU/WH	W/W			
230/208 VOLTS - 1 Phase								
H23B153ABC	15150	4445	1535	9.9	2.9	20086	1237	16.2
H23B173ABC	16650	4885	1635	10.2	3.0	21758	1319	16.5
H23B193ABC	18300	5370	1800	10.2	3.0	24475	1487	16.5
H23B203ABC	19900	5839	1950	10.2	3.0	26442	1610	16.4
H23B223ABC	22800	6690	2205	10.3	3.0	30300	1814	16.7
H23B243ABC	24300	7130	2380	10.2	3.0	31188	1906	16.4
H23B263ABC	26600	7805	2605	10.2	3.0	34248	2073	16.5
H23B283ABC	28500	8363	2780	10.3	3.0	36166	2253	16.1
H23B303ABC	30300	8891	2990	10.1	3.0	38497	2433	15.8
H23B323ABC	32000	9389	3230	9.9	2.9	40763	2613	15.6

265 VOLTS - 1 Phase								
H23B153ABH	15100	4431	1540	9.8	2.9	20239	1246	16.2
H23B173ABH	16600	4871	1680	9.9	2.9	21999	1366	16.1
H23B223ABH	22800	6690	2250	10.1	3.0	29905	1810	16.5
H23B283ABH	28300	8304	2860	9.9	2.9	36556	2328	15.7

230/208 VOLTS - 3 Phase								
H23B223DBD	22200	6514	2260	9.8	2.9	29306	1802	16.3
H23B283DBD	28100	8245	2785	10.1	3.0	36066	2220	16.2
H23B323DBD	32150	9433	3250	9.9	2.9	40888	2608	15.7

460 VOLTS - 3 Phase								
H23B223DBE	22200	6514	2260	9.8	2.9	29306	1802	16.3
H23B283DBE	28100	8245	2785	10.1	3.0	36066	2220	16.2
H23B323DBE	32000	9389	3320	9.6	2.8	40784	2629	15.5

H23B SERIES

220/240 VOLTS - 1 Phase								
H23B153ABH	12600	3697	1310	9.6	2.8	16909	1053	16.1
H23B173ABH	14000	4108	1450	9.7	2.8	18553	1176	15.8
H23B193ABK	15000	4401	1530	9.8	2.9	20455	1206	17.0
H23B203ABK	16600	4871	1675	9.9	2.9	22161	1337	16.6
H23B223ABH	19200	5634	1950	9.8	2.9	25196	1569	16.1
H23B243ABK	20500	6015	2050	10.0	2.9	26864	1602	16.8
H23B263ABK	22800	6690	2280	10.0	2.9	29704	1840	16.1
H23B283ABH	24000	7042	2450	9.8	2.9	30889	1992	15.5
H23B303ABK	25700	7541	2590	9.9	2.9	33264	2046	16.3
H23B323ABK	27800	8157	2750	10.1	3.0	35394	2220	15.9

230/208 VOLTS - 1 Phase								
H23B153ABJ	13000	3814	1310	9.9	2.9	17158	1046	16.4
H23B173ABJ	14200	4167	1435	9.9	2.9	18871	1143	16.5
H23B223ABJ	18750	5502	1880	10.0	2.9	24609	1493	16.5
H23B243ABJ	20300	5956	2100	9.7	2.8	27156	1683	16.1
H23B283ABJ	24500	7189	2450	10.0	2.9	31377	1942	16.2
H23B323ABJ	28100	8245	2860	9.8	2.9	35535	2316	15.3

220/200 VOLTS - 3 Phase								
H23B223DBD	18900	5546	2000	9.4	2.8	24925	1597	15.6
H23B283DBD	23800	6983	2405	9.9	2.9	30432	1909	15.9
H23B323DBD	28000	8216	2820	9.9	2.9	35318	2252	15.7

380/415 VOLTS - 3 Phase								
H23B223DBE	18800	5516	1960	9.6	2.8	24863	1565	15.9
H23B283DBE	23800	6983	2405	9.9	2.9	30439	1906	16.0
H23B323DBE	27200	7981	2780	9.8	2.9	34919	2209	15.8



Electrical Data			Displacement	
RLA	LRA	MCC	IN ³ /REV	CM ³ /REV
6.7	45	14.0	1.70	27.85
7.4	54	15.0	1.84	30.14
8.2	57	16.0	2.03	33.25
9.0	57	17.0	2.18	35.71
9.7	57	18.8	2.44	39.97
10.4	66	20.2	2.61	42.75
11.4	70	21.5	2.82	46.19
12.3	76	23.0	2.97	48.65
13.3	82	24.5	3.15	51.60
14.8	85	26.0	3.34	54.71

6.0	42	12.0	1.70	27.85
6.3	42	12.5	1.84	30.14
8.7	54	16.0	2.44	39.97
11.6	74	20.5	2.97	48.65

6.8	48	12.0	2.44	39.97
8.0	60	13.0	2.97	48.65
9.6	67	16.0	3.34	54.71

3.5	24	6.0	2.44	39.97
4.0	30	6.5	2.97	48.65
5.0	34	9.0	3.34	54.71

6.4	40	11.5	1.70	27.85
6.9	40	12.5	1.84	30.14
7.3	53	13.2	2.03	33.25
8.0	53	14.0	2.18	35.71
9.2	53	16.0	2.44	39.97
9.6	55	17.0	2.61	42.75
11.2	65	18.0	2.82	46.19
12.2	65	19.5	2.97	48.65
12.4	68	20.0	3.15	51.60
13.5	84	22.0	3.34	54.71

6.1	42	11.5	1.70	27.85
7.0	50	14.0	1.84	30.14
8.9	56	16.0	2.44	39.97
10.1	68	17.0	2.61	42.75
12.0	70	19.0	2.97	48.65
14.7	93	24.0	3.34	54.71

7.5	48	12.0	2.44	39.97
8.1	60	13.0	2.97	48.65
9.9	67	16.0	3.34	54.71

3.6	24	6.0	2.44	39.97
4.1	30	6.5	2.97	48.65
4.9	34	9.0	3.34	54.71

*Data Subject to Revision

60 HZ

Model	Oil Charge OZ L		Weight Net Ship Lbs Kg Lbs Kg				ELECTRICAL START COMPONENTS			DIMENSIONS					
							Run Capacitor MFD/VOLTS	Start Capacitor MFD/VOLTS	G.E. Relay	*DIAGRAMS FOUND ON PAGE 90					
										A		B		C	
IN	MM	IN	MM	IN	MM	IN	MM								
H23B153ABC	40	1.2	58	26.4	61.5	28.0	25/370	88-108/250	3ARR3*3T*	12.2	310.4	12.6	320.5	12.9	327.7
H23B173ABC	40	1.2	58	26.4	61.5	28.0	25/370	88-108/250	3ARR3*3P*	12.2	310.4	12.6	320.5	12.9	327.7
H23B193ABC	40	1.2	61	27.7	64.5	29.3	25/370	88-108/250	3ARR3*10S*	12.8	324.1	13.2	336.3	13.5	343.4
H23B203ABC	40	1.2	61	27.7	64.5	29.3	25/370	88-108/250	3ARR3*10S*	12.8	324.1	13.2	336.3	13.5	343.4
H23B223ABC	40	1.2	61	27.7	64.5	29.3	30/370	88-108/250	3ARR3*10S*	12.8	324.1	13.2	336.3	13.5	343.4
H23B243ABC	40	1.2	62	28.2	65.5	29.8	35/370	88-108/250	3ARR3*24P*	12.8	324.1	13.2	336.3	13.5	343.4
H23B263ABC	40	1.2	62	28.2	65.5	29.8	35/370	88-108/250	3ARR3*3P*	12.8	324.1	13.2	336.3	13.5	343.4
H23B283ABC	40	1.2	63	28.6	66.5	30.2	35/370	88-108/250	3ARR3*10S*	12.8	324.1	13.2	336.3	13.5	343.4
H23B303ABC	40	1.2	63	28.6	66.5	30.2	40/370	88-108/250	3ARR3*24P*	12.8	324.1	13.2	336.3	13.5	343.4
H23B323ABC	40	1.2	63	28.6	66.5	30.2	40/370	88-108/250	3ARR3*24P*	12.8	324.1	13.2	336.3	13.5	343.4
H23B153ABH	40	1.2	58	26.4	61.5	28.0	20/440	88-108/330	3ARR3*10I*	12.2	310.4	12.6	320.5	12.9	327.7
H23B173ABH	40	1.2	58	26.4	61.5	28.0	25/370	88-108/330	3ARR3*10U*	12.2	310.4	12.6	320.5	13.2	335.3
H23B223ABH	40	1.2	61	27.7	64.5	29.3	25/440	88-108/330	3ARR3*25U*	12.8	324.1	13.2	336.3	13.5	343.4
H23B283ABH	40	1.2	63	28.6	66.5	30.2	30/440	88-108/330	3ARR3*10S*	12.8	324.1	13.2	336.3	13.5	343.4
H23B223DBD	40	1.2	56	25.5	59.5	27.0	-Not Req'd	-Not Req'd	-Not Req'd	12.2	310.4	12.6	320.5	12.9	327.7
H23B283DBD	40	1.2	61	27.7	64.5	29.3	-Not Req'd	-Not Req'd	-Not Req'd	12.8	324.1	13.2	336.3	13.5	343.4
H23B323DBD	40	1.2	61	27.7	64.5	29.3	-Not Req'd	-Not Req'd	-Not Req'd	13.0	329.4	13.2	336.3	13.5	343.4
H23B223DBE	40	1.2	56	25.5	59.5	27.0	-Not Req'd	-Not Req'd	-Not Req'd	12.2	310.4	12.6	320.5	12.9	327.7
H23B283DBE	40	1.2	61	27.7	64.5	29.3	-Not Req'd	-Not Req'd	-Not Req'd	12.8	324.1	13.2	336.3	13.5	343.4
H23B323DBE	40	1.2	61	27.7	64.5	29.3	-Not Req'd	-Not Req'd	-Not Req'd	13.0	329.4	13.2	336.3	13.5	343.4

50 HZ

H23B153ABH	40	1.2	58.0	26.4	61.5	28.0	25/370	88-108/250	3ARR3*10AS*	12.2	310.4	12.6	320.5	12.9	327.7
H23B173ABH	40	1.2	58.0	26.4	61.5	28.0	25/370	88-108/250	3ARR3*10AS*	12.2	310.4	12.6	320.5	12.9	327.7
H23B193ABK	40	1.2	61.0	27.7	64.5	29.3	30/370	88-108/250	3ARR3*10AS*	12.8	324.1	13.2	336.3	13.5	343.4
H23B203ABK	40	1.2	61.0	27.7	64.5	29.3	30/370	88-108/250	3ARR3*25AS*	12.8	324.1	13.2	336.3	13.5	343.4
H23B223ABH	40	1.2	61.0	27.7	64.5	29.3	30/370	88-108/250	3ARR3*25AS*	12.8	324.1	13.2	336.3	13.5	343.4
H23B243ABK	40	1.2	61.8	28.1	64.5	29.3	35/440	88-108/250	3ARR3*10AS*	12.8	324.1	13.2	336.3	13.5	343.4
H23B263ABK	40	1.2	63.0	28.6	66.5	30.2	35/370	88-108/250	3ARR3*24AP*	12.8	324.1	13.2	336.3	13.5	343.4
H23B283ABH	40	1.2	63.0	28.6	66.5	30.2	35/370	88-108/250	3ARR3*24AP*	12.8	324.1	13.2	336.3	13.5	343.4
H23B303ABK	40	1.2	63.0	28.6	66.5	30.2	45/440	88-108/250	3ARR3*25AS*	12.8	324.1	13.2	336.3	13.5	343.4
H23B323ABK	40	1.2	67.5	30.7	71.0	32.3	45/370	88-108/250	3ARR3*24AP*	11.7	297.7	13.8	349.0	14.0	356.1
H23B153ABJ	40	1.2	58.0	26.4	61.5	28.0	25/370	88-108/250	3ARR3*10AS*	12.2	310.4	12.6	320.5	12.9	327.7
H23B173ABJ	40	1.2	61.0	27.7	64.5	29.3	25/370	88-108/250	3ARR3*3P*	12.8	324.1	13.2	336.3	13.8	351.0
H23B223ABJ	40	1.2	61.0	27.7	64.5	29.3	30/370	88-108/250	3ARR3*10AS*	12.8	324.1	13.2	336.3	13.5	343.4
H23B243ABJ	40	1.2	62.0	28.2	65.5	29.8	35/370	88-108/250	3ARR3*6AS*	13.0	329.4	13.2	336.3	13.5	343.4
H23B283ABJ	40	1.2	63.0	28.6	66.5	30.2	40/370	88-108/250	3ARR3*10AS*	12.8	324.1	13.2	336.3	13.5	343.4
H23B323ABJ	40	1.2	67.5	30.7	71.0	32.3	45/370	88-108/250	3ARR3*24AP*	11.7	297.7	13.8	349.0	14.0	356.1
H23B223DBD	40	1.2	56.0	25.5	59.5	27.0	-Not Req'd	-Not Req'd	-Not Req'd	12.2	310.4	12.6	320.5	12.9	327.7
H23B283DBD	40	1.2	61.0	27.7	64.5	29.3	-Not Req'd	-Not Req'd	-Not Req'd	12.8	324.1	13.2	336.3	13.5	343.4
H23B323DBD	40	1.2	61.0	27.7	64.5	29.3	-Not Req'd	-Not Req'd	-Not Req'd	13.0	329.4	13.2	336.3	13.5	343.4
H23B223DBE	40	1.2	56.0	25.5	59.5	27.0	-Not Req'd	-Not Req'd	-Not Req'd	12.2	310.4	12.6	320.5	12.9	327.7
H23B283DBE	40	1.2	61.0	27.7	64.5	29.3	-Not Req'd	-Not Req'd	-Not Req'd	12.8	324.1	13.2	336.3	13.5	343.4
H23B323DBE	40	1.2	61.0	27.7	64.5	29.3	-Not Req'd	-Not Req'd	-Not Req'd	13.0	329.4	13.2	336.3	13.5	343.4

H23BQ SERIES



Model	@45/130					@45/100		
	Capacity		Motor Input	EER/COP		Capacity	Motor Input	EER
	BTU/H	WATTS		BTU/WH	W/W			
230/208 VOLTS - 1 Phase								
H23B15QABC	14900	4372	1525	9.8	2.9	19547	1232	15.9
H23B17QABC	16600	4871	1700	9.8	2.9	21613	1356	15.9
H23B19QABC	17900	5252	1800	9.9	2.9	23616	1459	16.2
H23B20QABC	19700	5780	1975	10.0	2.9	25971	1609	16.1
H23B22QABC	21800	6397	2225	9.8	2.9	28537	1808	15.8
H23B24QABC	24000	7042	2450	9.8	2.9	30351	1911	15.9
H23B26QABC	26300	7717	2700	9.7	2.9	33847	2202	15.4
H23B28QABC	27800	8157	2880	9.7	2.8	35221	2350	15.0
H23B30QABC	30100	8832	3100	9.7	2.8	37406	2523	14.8
H23B32QABC	31800	9331	3350	9.5	2.8	39736	2850	13.9

265 VOLTS - 1 Phase								
H23B15QABH	15000	4401	1550	9.7	2.8	19985	1249	16.0
H23B17QABH	16600	4871	1690	9.8	2.9	21970	1374	16.0
H23B22QABH	22100	6485	2230	9.9	2.9	28834	1812	15.9
H23B28QABH	27600	8098	2875	9.6	2.8	35384	2362	15.0

230/208 VOLTS - 3 Phase								
H23B20QDBD	19500	5722	2025	9.6	2.8	25342	1643	15.4
H23B22QDBD	21550	6323	2250	9.6	2.8	28072	1817	15.4
H23B24QDBD	24000	7042	2450	9.8	2.9	30695	1991	15.4
H23B26QDBD	25700	7541	2620	9.8	2.9	32877	2132	15.4
H23B28QDBD	27500	8069	2800	9.8	2.9	34966	2258	15.5
H23B30QDBD	30000	8803	3100	9.7	2.8	36850	2572	14.3
H23B32QDBD	31500	9243	3300	9.5	2.8	39900	2686	14.9
H23B35QDBD	32700	9595	3410	9.6	2.8	41549	2776	15.0

460 VOLTS - 3 Phase								
H23B20QDBE	19500	5722	2025	9.6	2.8	26204	1572	16.7
H23B22QDBE	21850	6411	2240	9.8	2.9	29339	1727	17.0
H23B24QDBE	24000	7042	2450	9.8	2.9	30466	1954	15.6
H23B26QDBE	26300	7717	2700	9.7	2.9	33069	2163	15.3
H23B28QDBE	27800	8157	2850	9.8	2.9	34597	2279	15.2
H23B30QDBE	30100	8832	3100	9.7	2.8	37626	2503	15.0
H23B32QDBE	31800	9331	3300	9.6	2.8	39602	2702	14.7
H23B35QDBE	32500	9536	3400	9.6	2.8	41487	2794	14.8

Electrical Data			Displacement	
RLA	LRA	MCC	IN ³ /REV	CM ³ /REV

6.7	45	14.0	1.70	27.85
7.6	54	15.0	1.84	30.14
8.2	57	16.0	2.03	33.25
9.0	57	17.0	2.18	35.71
9.7	57	18.8	2.44	39.97
10.9	66	20.2	2.61	42.75
12.2	70	21.5	2.82	46.19
12.8	76	23.0	2.97	48.65
13.3	82	24.5	3.15	51.60
15.3	85	26.0	3.34	54.71

6.0	42	12.0	1.70	27.85
6.4	42	12.5	1.84	30.14
8.7	54	16.0	2.44	39.97
11.7	72	20.5	2.97	48.65

6.5	48	12.0	2.18	35.71
6.8	48	12.0	2.44	39.97
7.3	60	14.0	2.61	42.75
7.7	60	14.0	2.82	46.19
8.1	60	14.0	2.97	48.65
9.3	67	16.0	3.15	51.60
9.6	67	16.0	3.34	54.71
9.8	68	16.0	3.46	56.67

3.2	24	6.0	2.18	35.71
3.5	24	6.0	2.44	39.97
3.8	30	6.5	2.61	42.75
4.0	30	6.5	2.82	46.19
4.1	30	6.5	2.97	48.65
4.5	34	8.5	3.15	51.60
5.0	34	9.0	3.34	54.71
4.9	36	9.0	3.46	56.67

*Data Subject to Revision

Model	Oil Charge		Weight				ELECTRICAL START COMPONENTS			DIMENSIONS					
							Run Capacitor	Start Capacitor	G.E. Relay	*DIAGRAMS FOUND ON PAGE 90					
	OZ	L	Net Lbs	Net Kg	Ship Lbs	Ship Kg	MFD/VOLTS	MFD/VOLTS		A IN	A MM	B IN	B MM	C IN	C MM
H23B15QABC	40	1.2	58.5	26.6	62.0	28.2	25/370	88-108/250	3ARR3*3T*	12.2	310.4	12.6	320.5	12.9	327.7
H23B17QABC	40	1.2	60.0	27.3	63.5	28.9	25/370	88-108/250	3ARR3*3P*	12.2	310.4	12.6	320.5	12.9	327.7
H23B19QABC	40	1.2	61.5	28.0	65.0	29.5	25/370	88-108/250	3ARR3*10S*	12.8	324.1	13.2	336.3	13.5	343.4
H23B20QABC	40	1.2	61.5	28.0	65.0	29.5	25/370	88-108/250	3ARR3*10S*	12.8	324.1	13.2	336.3	13.5	343.4
H23B22QABC	40	1.2	62.0	28.2	65.5	29.8	30/370	88-108/250	3ARR3*10S*	12.8	324.1	13.2	336.3	13.5	343.4
H23B24QABC	40	1.2	62.5	28.4	66.0	30.0	35/370	88-108/250	3ARR3*24P*	12.8	324.1	13.2	336.3	13.5	343.4
H23B26QABC	40	1.2	62.5	28.4	66.0	30.0	35/370	88-108/250	3ARR3*3P*	12.8	324.1	13.2	336.3	13.5	343.4
H23B28QABC	40	1.2	64.0	29.1	67.5	30.7	35/370	88-108/250	3ARR3*10S*	12.8	324.1	13.2	336.3	13.5	343.4
H23B30QABC	40	1.2	64.0	29.1	67.5	30.7	40/370	88-108/250	3ARR3*24P*	12.8	324.1	13.2	336.3	13.5	343.4
H23B32QABC	40	1.2	64.0	29.1	67.5	30.7	40/370	88-108/250	3ARR3*24P*	13.5	342.1	13.8	349.0	14.0	356.1
H23B15QABH	40	1.2	59.5	27.0	63.0	28.6	20/440	88-108/330	3ARR3*10T*	12.2	310.4	12.6	320.5	12.9	327.7
H23B17QABH	40	1.2	60.0	27.3	63.5	28.9	25/370	88-108/330	3ARR3*10U*	12.2	310.4	12.6	320.5	12.9	327.7
H23B22QABH	40	1.2	62.5	28.4	66.0	30.0	25/440	88-108/250	3ARR3*25U*	12.8	324.1	13.2	336.3	13.5	343.4
H23B28QABH	40	1.2	64.8	29.5	68.3	31.0	30/440	88-108/330	3ARR3*10S*	12.8	324.1	13.2	336.3	13.5	343.4
H23B20QDBD	40	1.2	56.5	25.7	60.0	27.3	-Not Req'd	-Not Req'd	-Not Req'd	12.2	310.4	12.6	320.5	12.9	327.7
H23B22QDBD	40	1.2	56.5	25.7	60.0	27.3	-Not Req'd	-Not Req'd	-Not Req'd	12.2	310.4	12.6	320.5	12.9	327.7
H23B24QDBD	40	1.2	61.0	27.7	64.5	29.3	-Not Req'd	-Not Req'd	-Not Req'd	12.2	310.4	12.6	320.5	12.9	327.7
H23B26QDBD	40	1.2	61.0	27.7	64.5	29.3	-Not Req'd	-Not Req'd	-Not Req'd	12.8	324.1	13.2	336.3	13.5	343.4
H23B28QDBD	40	1.2	61.0	27.7	64.5	29.3	-Not Req'd	-Not Req'd	-Not Req'd	12.8	324.1	13.2	336.3	13.5	343.4
H23B30QDBD	40	1.2	61.0	27.7	64.5	29.3	-Not Req'd	-Not Req'd	-Not Req'd	13.0	329.4	13.2	336.3	13.5	343.4
H23B32QDBD	40	1.2	61.0	27.7	64.5	29.3	-Not Req'd	-Not Req'd	-Not Req'd	13.0	329.4	13.2	336.3	13.5	343.4
H23B35QDBD	40	1.2	63.0	28.6	66.5	30.2	-Not Req'd	-Not Req'd	-Not Req'd	13.2	335.8	13.5	342.6	13.8	349.7
H23B20QDBE	40	1.2	56.5	25.7	60.0	27.3	-Not Req'd	-Not Req'd	-Not Req'd	12.2	310.4	12.6	320.5	12.9	327.7
H23B22QDBE	40	1.2	56.5	25.7	60.0	27.3	-Not Req'd	-Not Req'd	-Not Req'd	12.2	310.4	12.6	320.5	12.9	327.7
H23B24QDBE	40	1.2	62.5	28.4	66.0	30.0	-Not Req'd	-Not Req'd	-Not Req'd	12.8	324.1	13.2	336.3	13.5	343.4
H23B26QDBE	40	1.2	62.5	28.4	66.0	30.0	-Not Req'd	-Not Req'd	-Not Req'd	12.8	324.1	13.2	336.3	13.5	343.4
H23B28QDBE	40	1.2	62.5	28.4	66.0	30.0	-Not Req'd	-Not Req'd	-Not Req'd	12.8	324.1	13.2	336.3	13.8	351.0
H23B30QDBE	40	1.2	64.0	29.1	67.5	30.7	-Not Req'd	-Not Req'd	-Not Req'd	13.0	329.4	13.2	336.3	13.5	343.4
H23B32QDBE	40	1.2	64.0	29.1	67.5	30.7	-Not Req'd	-Not Req'd	-Not Req'd	13.0	329.4	13.2	336.3	13.5	343.4
H23B35QDBE	40	1.2	63.0	28.6	66.5	30.2	-Not Req'd	-Not Req'd	-Not Req'd	13.2	335.8	13.5	342.6	13.8	349.7

H23BQ SERIES



Model	@45/130					@45/100		
	Capacity		Motor Input	EER/COP		Capacity	Motor Input	EER
	BTU/H	WATTS		BTU/WH	W/W			

Electrical Data			Displacement	
RLA	LRA	MCC	IN ³ /REV	CM ³ /REV

220/240 VOLTS - 1 Phase

H23B15QABH	12450	3653	1310	9.5	2.8	16729	1052	15.9
H23B17QABH	13750	4035	1440	9.5	2.8	18535	1153	16.1
H23B19QABK	15100	4431	1540	9.8	2.9	20494	1233	16.6
H23B20QABK	16560	4859	1690	9.8	2.9	22248	1342	16.6
H23B22QABH	18600	5458	1900	9.8	2.9	24430	1539	15.9
H23B24QABK	20000	5868	2050	9.8	2.9	26864	1602	16.8
H23B26QABK	22100	6485	2300	9.6	2.8	28330	1838	15.4
H23B28QABH	23450	6881	2450	9.6	2.8	30108	1978	15.2
H23B30QABK	25250	7409	2620	9.6	2.8	32251	2087	15.5
H23B32QABK	27500	8069	2800	9.8	2.9	34471	2377	14.5
H23B35QABK	28600	8392	2950	9.7	2.8	36526	2367	15.4

6.4	40	11.5	1.70	27.85
6.4	40	12.5	1.84	30.14
7.3	53	13.2	2.03	33.25
8.0	53	14.0	2.18	35.71
9.2	53	16.0	2.44	39.97
9.6	55	17.0	2.61	42.75
11.2	65	18.0	2.82	46.19
12.2	65	19.5	2.97	48.65
12.4	68	20.0	3.15	51.60
14.0	91	23.0	3.34	54.71
15.2	95	26.0	3.46	56.67

230/208 VOLTS - 1 Phase

H23B15QABJ	12450	3653	1310	9.5	2.8	16661	1061	15.7
H23B17QABJ	14000	4108	1440	9.7	2.9	18303	1159	15.8
H23B19QABJ	15200	4460	1540	9.9	2.9	20494	1233	16.6
H23B22QABJ	18500	5428	1880	9.8	2.9	24359	1559	15.6
H23B24QABJ	20900	6133	2100	10.0	2.9	26680	1712	15.6
H23B28QABJ	24100	7071	2430	9.9	2.9	30446	1975	15.4
H23B30QABJ	25250	7409	2620	9.6	2.8	33061	2215	14.9
H23B32QABJ	27800	8157	2850	9.8	2.9	34820	2333	14.9

6.1	42	11.5	1.70	27.85
7.0	50	14.0	1.84	30.14
8.5	56	15.5	2.03	33.25
8.9	56	16.0	2.44	39.97
11.5	70	19.0	2.61	42.75
12.0	70	19.0	2.97	48.65
14.4	93	24.0	3.15	51.60
14.4	94	24.0	3.34	54.71

220/200 VOLTS - 3 Phase

H23B20QDBD	16560	4859	1700	9.7	2.9	21710	1455	14.9
H23B22QDBD	18750	5502	2000	9.4	2.8	24288	1607	15.1
H23B24QDBD	20000	5868	2050	9.8	2.9	26463	1745	15.2
H23B26QDBD	22300	6543	2240	10.0	2.9	28498	1819	15.7
H23B28QDBD	24000	7042	2400	10.0	2.9	30245	1921	15.7
H23B30QDBD	25250	7409	2600	9.7	2.8	31732	2163	14.7
H23B32QDBD	27300	8010	2840	9.6	2.8	34632	2305	15.0
H23B35QDBD	28400	8333	2890	9.8	2.9	36280	2330	15.6

7.3	48	12.0	2.18	35.71
7.5	48	12.0	2.44	39.97
7.6	60	14.0	2.61	42.75
7.7	60	14.0	2.82	46.19
8.0	60	14.0	2.97	48.65
9.5	67	16.0	3.15	51.60
9.8	67	16.0	3.34	54.71
9.7	72	16.0	3.46	56.67

380/415 - 3 Phase

H23B20QDBE	16560	4859	1700	9.7	2.9	22397	1334	16.8
H23B22QDBE	18530	5437	1920	9.7	2.8	24977	1474	16.9
H23B24QDBE	20000	5868	2050	9.8	2.9	25901	1638	15.8
H23B26QDBE	22300	6543	2240	10.0	2.9	28176	1810	15.6
H23B28QDBE	24000	7042	2400	10.0	2.9	29509	1927	15.3
H23B30QDBE	25250	7409	2600	9.7	2.8	32163	2082	15.4
H23B32QDBE	27300	8010	2840	9.6	2.8	34020	2257	15.1
H23B35QDBE	27700	8128	2870	9.7	2.8	35668	2330	15.3

3.2	24	6.0	2.18	35.71
3.4	24	6.0	2.44	39.97
3.8	30	6.5	2.61	42.75
4.0	30	6.5	2.82	46.19
4.1	30	6.6	2.97	48.65
4.8	34	9.0	3.15	51.60
5.0	34	9.0	3.34	54.71
4.9	38	9.0	3.46	56.67

*Data Subject to Revision

Model	Oil Charge OZ L		Weight Net Ship Lbs Kg Lbs Kg				ELECTRICAL START COMPONENTS			DIMENSIONS					
							Run Capacitor MFD/VOLTS	Start Capacitor MFD/VOLTS	G.E. Relay	*DIAGRAMS FOUND ON PAGE 90					
										A		B		C	
IN	MM	IN	MM	IN	MM	IN	MM	IN	MM	IN	MM				
H23B15QABH	40	1.2	59.5	27.0	63.0	28.6	25/370	88-108/250	3ARR3*10AS*	12.2	310.4	12.6	320.5	12.9	327.7
H23B17QABH	40	1.2	60.0	27.3	63.5	28.9	25/370	88-108/250	3ARR3*10AS*	12.2	310.4	12.6	320.5	12.9	327.7
H23B19QABK	40	1.2	62.5	28.4	66.0	30.0	30/370	88-108/250	3ARR3*10AS*	12.8	324.1	13.2	336.3	13.5	343.4
H23B20QABK	40	1.2	63.0	28.6	66.5	30.2	30/370	88-108/250	3ARR3*25AS*	12.8	324.1	13.2	336.3	13.5	343.4
H23B22QABH	40	1.2	62.0	28.2	65.5	29.8	30/370	88-108/250	3ARR3*25AS*	12.8	324.1	13.2	336.3	13.5	343.4
H23B24QABK	40	1.2	62.5	28.4	66.0	30.0	35/440	88-108/250	3ARR3*10AS*	12.8	324.1	13.2	336.3	13.5	343.4
H23B26QABK	40	1.2	64.7	29.4	68.2	31.0	35/370	88-108/250	3ARR3*24AP*	12.8	324.1	13.2	336.3	13.5	343.4
H23B28QABH	40	1.2	64.8	29.5	68.3	31.0	35/370	88-108/250	3ARR3*24AP*	12.8	324.1	13.2	336.3	13.5	343.4
H23B30QABK	40	1.2	64.5	29.3	68.0	30.9	45/440	88-108/250	3ARR3*25AS*	12.8	324.1	13.2	336.3	13.5	343.4
H23B32QABK	40	1.2	64.0	29.1	67.5	30.7	45/440	88-108/250	3ARR3*25AS*	13.9	351.8	14.1	358.6	14.4	365.7
H23B35QABK	40	1.2	71.0	32.3	74.5	33.9	50/440	88-108/250	3ARR3*24R*	13.9	351.8	14.1	358.6	14.4	365.7
H23B15QABJ	40	1.2	62.5	28.4	66.0	30.0	25/370	88-108/250	3ARR3*10AS*	12.2	310.4	12.6	320.5	12.9	327.7
H23B17QABJ	40	1.2	62.5	28.4	66.0	30.0	25/370	88-108/250	3ARR3*3P*	12.8	324.1	13.2	336.3	13.5	343.4
H23B19QABJ	40	1.2	62.5	28.4	66.0	30.0	30/370	88-108/250	3ARR3*10AS*	12.8	324.1	13.2	336.3	13.5	343.4
H23B22QABJ	40	1.2	62.5	28.4	66.0	30.0	30/370	88-108/250	3ARR3*10AS*	12.8	324.1	13.2	336.3	13.5	343.4
H23B24QABJ	40	1.2	63.5	28.9	67.0	30.5	40/370	88-108/250	3ARR3*6AS*	13.0	329.4	13.2	336.3	13.5	343.4
H23B28QABJ	40	1.2	64.5	29.3	68.0	30.9	40/370	88-108/250	3ARR3*10AS*	13.0	329.4	13.2	336.3	13.5	343.4
H23B30QABJ	40	1.2	67.5	30.7	71.0	32.3	45/370	88-108/250	3ARR3*24AP*	13.3	336.8	13.8	349.0	14.0	356.1
H23B32QABJ	40	1.2	67.5	30.7	71.0	32.3	45/440	88-108/250	3ARR3*6AS*	14.0	354.8	14.2	361.7	14.5	368.8
H23B20QDBD	40	1.2	56.5	25.7	60.0	27.3	-Not Req'd	-Not Req'd	-Not Req'd	12.2	310.4	12.6	320.5	12.9	327.7
H23B22QDBD	40	1.2	56.5	25.7	60.0	27.3	-Not Req'd	-Not Req'd	-Not Req'd	12.2	310.4	12.6	320.5	12.9	327.7
H23B24QDBD	40	1.2	61.0	27.7	64.5	29.3	-Not Req'd	-Not Req'd	-Not Req'd	12.2	310.4	12.6	320.5	12.9	327.7
H23B26QDBD	40	1.2	61.0	27.7	64.5	29.3	-Not Req'd	-Not Req'd	-Not Req'd	12.8	324.1	13.2	336.3	13.5	343.4
H23B28QDBD	40	1.2	61.0	27.7	64.5	29.3	-Not Req'd	-Not Req'd	-Not Req'd	12.8	324.1	13.2	336.3	13.5	343.4
H23B30QDBD	40	1.2	61.0	27.7	64.5	29.3	-Not Req'd	-Not Req'd	-Not Req'd	13.0	329.4	13.2	336.3	13.5	343.4
H23B32QDBD	40	1.2	61.0	27.7	64.5	29.3	-Not Req'd	-Not Req'd	-Not Req'd	13.0	329.4	13.2	336.3	13.5	343.4
H23B35QDBD	40	1.2	63.0	28.6	66.5	30.2	-Not Req'd	-Not Req'd	-Not Req'd	13.2	335.8	13.5	342.6	13.8	349.7
H23B20QDBE	40	1.2	56.5	25.7	60.0	27.3	-Not Req'd	-Not Req'd	-Not Req'd	12.2	310.4	12.6	320.5	12.9	327.7
H23B22QDBE	40	1.2	56.5	25.7	60.0	27.3	-Not Req'd	-Not Req'd	-Not Req'd	12.2	310.4	12.6	320.5	12.9	327.7
H23B24QDBE	40	1.2	62.5	28.4	66.0	30.0	-Not Req'd	-Not Req'd	-Not Req'd	12.8	324.1	13.2	336.3	13.5	343.4
H23B26QDBE	40	1.2	62.5	28.4	66.0	30.0	-Not Req'd	-Not Req'd	-Not Req'd	12.8	324.1	13.2	336.3	13.5	343.4
H23B28QDBE	40	1.2	62.5	28.4	66.0	30.0	-Not Req'd	-Not Req'd	-Not Req'd	12.8	324.1	13.2	336.3	13.5	343.4
H23B30QDBE	40	1.2	64.0	29.1	67.5	30.7	-Not Req'd	-Not Req'd	-Not Req'd	13.0	329.4	13.2	336.3	13.5	343.4
H23B32QDBE	40	1.2	64.0	29.1	67.5	30.7	-Not Req'd	-Not Req'd	-Not Req'd	13.0	329.4	13.2	336.3	13.5	343.4
H23B35QDBE	40	1.2	63.0	28.6	66.5	30.2	-Not Req'd	-Not Req'd	-Not Req'd	13.2	335.8	13.5	342.6	13.8	349.7

H27AQ SERIES



Model	@45/130					@45/100		
	Capacity		Motor Input	EER/COP		Capacity	Motor Input	EER/COP
	BTU/H	WATTS		BTU/WH	W/W			
230/208 VOLTS - 1 Phase								
H27A28QCBC	28200	8274	2410	11.7	3.4	35101	1797	19.5
H27A32QCBC	31500	9243	2670	11.8	3.5	41281	2126	19.4
H27A35QCBC	35200	10328	2960	11.9	3.5	45016	2281	19.7
H27A38QCBC	38400	11267	3230	11.9	3.5	49156	2495	19.7
H27A42QCBC	42600	12500	3550	12.0	3.5	52782	2680	19.7
H27A46QCBC	46500	13644	3910	11.9	3.5	59138	3003	19.7
H27A50QCBC	49200	14436	4170	11.8	3.5	62181	3189	19.5
H27A54QCBC	53500	15698	4570	11.7	3.4	67112	3480	19.3
H27A56QCBC	56800	16666	4898	11.6	3.4	70645	3778	18.7
H27A62QCBC	62300	18280	5375	11.6	3.4	77479	4188	18.5

230/200 VOLTS - 3 Phase								
H27A32QDBL	31500	9230	2700	11.7	3.4	41200	2150	19.2
H27A35QDBL	35200	10310	3000	11.7	3.4	45000	2285	19.7
H27A42QDBL	42600	12480	3550	12.0	3.5	52900	2700	19.6
H27A46QDBL	46500	13620	3950	11.8	3.4	59200	3000	19.7
H27A50QDBL	49200	14420	4200	11.7	3.4	62200	3200	19.4
H27A54QDBL	53500	15680	4600	11.6	3.4	67200	3500	19.2
H27A56QDBL	55800	16350	4900	11.4	3.3	70700	3800	18.6
H27A62QDBL	62300	18250	5350	11.6	3.4	77500	4200	18.5

460 VOLTS - 3 Phase								
H27A32QDBE	31500	9243	2670	11.8	3.5	41187	2112	19.5
H27A35QDBE	35200	10328	2960	11.9	3.5	45015	2285	19.7
H27A38QDBE	38400	11267	3200	12.0	3.5	49182	2484	19.8
H27A42QDBE	42600	12500	3550	12.0	3.5	52828	2669	19.8
H27A46QDBE	46500	13644	3910	11.9	3.5	59138	3003	19.7
H27A50QDBE	49200	14436	4170	11.8	3.5	62181	3189	19.5
H27A54QDBE	53500	15698	4570	11.7	3.4	66590	3466	19.2
H27A56QDBE	56800	16666	4855	11.7	3.4	69204	3701	18.7
H27A62QDBE	62300	18280	5325	11.7	3.4	76174	4092	18.6

575 VOLTS - 3 Phase								
H27A32QDBF	31500	9243	2670	11.8	3.5	41187	2112	19.5
H27A35QDBF	35200	10328	2960	11.9	3.5	45015	2285	19.7
H27A38QDBF	38400	11267	3200	12.0	3.5	49182	2484	19.8
H27A42QDBF	42600	12500	3550	12.0	3.5	52828	2669	19.8
H27A46QDBF	46500	13644	3910	11.9	3.5	59138	3002	19.7
H27A50QDBF	49200	14436	4170	11.8	3.5	62181	3189	19.5
H27A54QDBF	53500	15698	4570	11.7	3.4	66590	3466	19.2
H27A56QDBF	56800	16666	4855	11.7	3.4	69204	3701	18.7
H27A62QDBF	62300	18280	5325	11.7	3.4	76174	4092	18.6

Electrical Data			Displacement	
RLA	LRA	MCC	IN ³ /REV	CM ³ /REV
10.7	69	23	3.01	49.29
11.8	87	25	3.30	54.12
13.2	87	28	3.63	59.52
14.7	87	30	3.89	63.78
15.4	105	34	4.21	68.99
17.4	105	36	4.64	75.95
18.0	135	38	4.83	79.05
20.3	135	40	5.25	86.01
21.3	135	40	5.46	89.48
24.0	147	42	5.92	97.02

8.8	110	22	3.30	54.05
9.2	110	22	3.63	59.46
11.2	130	22	4.21	68.96
12.3	130	23	4.64	76.00
13.0	137	25	4.83	79.12
14.3	137	24	5.25	86.00
15.5	150	24	5.46	89.43
16.8	150	25	5.92	96.97

4.4	54	10	3.30	54.12
4.6	54	10	3.63	59.52
5.1	54	11	3.89	63.78
5.6	64	11	4.21	68.99
6.2	64	11	4.64	75.95
6.5	69	13	4.83	79.05
7.2	69	14	5.25	86.01
7.7	75	13	5.46	89.48
8.4	75	14	5.92	97.02

3.5	44	9	3.30	54.12
3.7	44	9	3.63	59.52
4.0	44	9	3.89	63.78
4.5	52	9	4.21	68.99
4.9	52	10	4.64	75.95
5.2	58	10	4.83	79.05
5.7	58	10	5.25	86.01
6.2	62	10	5.46	89.48
6.7	62	11	5.92	97.02

*Data Subject to Revision

Model	Oil Charge		Weight				ELECTRICAL START COMPONENTS			DIMENSIONS					
							Run Capacitor	Start Capacitor	G.E. Relay	*DIAGRAMS FOUND ON PAGE 34					
	OZ	L	Lbs	Net Kg	Ship Lbs	Kg	MFD/VOLTS	MFD/VOLTS		A		B		C	
									IN	MM	IN	MM	IN	MM	
H27A28QCBC	65	1.9	92.5	42.0	96.5	43.9	35/370	270-324/330	3ARR22*3U*	14.0	355.3	16.1	409.4	16.4	417.2
H27A32QCBC	65	1.9	92.5	42.0	96.5	43.9	40/370	270-324/330	3ARR22*3S*	14.0	355.3	16.1	409.4	16.4	417.2
H27A35QCBC	65	1.9	92.5	42.0	96.5	43.9	40/370	270-324/330	3ARR22*3S*	14.0	355.3	16.1	409.4	16.4	417.2
H27A38QCBC	65	1.9	92.5	42.0	96.5	43.9	45/370	270-324/330	3ARR22*3S*	14.0	355.3	16.1	409.4	16.4	417.2
H27A42QCBC	65	1.9	100.5	45.7	109.5	49.8	45/370	270-324/330	3ARR22*3P*	15.2	387.0	17.4	441.1	17.7	449.0
H27A46QCBC	65	1.9	100.5	45.7	109.5	49.8	55/370	270-324/330	3ARR22*3P*	15.2	387.0	17.4	441.1	17.7	449.0
H27A50QCBC	65	1.9	100.5	45.7	109.5	49.8	55/370	270-324/330	3ARR22*3N*	15.2	387.0	17.4	441.1	17.7	449.0
H27A54QCBC	65	1.9	100.5	45.7	109.5	49.8	60/370	270-324/330	3ARR22*3N*	15.2	387.0	17.4	441.1	17.7	449.0
H27A56QCBC	65	1.9	100.5	45.7	109.5	49.8	60/370	270-324/330	3ARR22*3N*	15.2	387.0	17.4	441.1	17.7	449.0
H27A62QCBC	65	1.9	100.5	45.7	109.5	49.8	60/370	270-324/330	3ARR22*24R*	15.2	387.0	17.4	441.1	17.7	449.0
H27A32QDBL	65	1.9	92.5	42.0	96.5	43.9	-Not Req'd	-Not Req'd	-Not Req'd	14.0	355.3	16.1	409.4	16.4	417.2
H27A35QDBL	65	1.9	92.5	42.0	96.5	43.9	-Not Req'd	-Not Req'd	-Not Req'd	14.0	355.3	16.1	409.4	16.4	417.2
H27A42QDBL	65	1.9	100.5	45.7	104.5	47.5	-Not Req'd	-Not Req'd	-Not Req'd	15.3	387.0	17.4	441.1	17.7	449.0
H27A46QDBL	65	1.9	100.5	45.7	104.5	47.5	-Not Req'd	-Not Req'd	-Not Req'd	15.3	387.0	17.4	441.1	17.7	449.0
H27A50QDBL	65	1.9	105.5	48.0	109.5	49.8	-Not Req'd	-Not Req'd	-Not Req'd	15.3	387.0	17.4	441.1	17.7	449.0
H27A54QDBL	65	1.9	105.5	48.0	109.5	49.8	-Not Req'd	-Not Req'd	-Not Req'd	15.3	387.0	17.4	441.1	17.7	449.0
H27A56QDBL	65	1.9	105.5	48.0	109.5	49.8	-Not Req'd	-Not Req'd	-Not Req'd	15.3	387.0	17.4	441.1	17.7	449.0
H27A62QDBL	65	1.9	105.5	48.0	109.5	49.8	-Not Req'd	-Not Req'd	-Not Req'd	16.2	410.6	13.3	336.3	13.5	343.4
H27A32QDBE	65	1.9	92.5	42.0	96.5	43.9	-Not Req'd	-Not Req'd	-Not Req'd	14.0	355.3	16.1	409.4	16.4	417.2
H27A35QDBE	65	1.9	92.5	42.0	96.5	43.9	-Not Req'd	-Not Req'd	-Not Req'd	14.0	355.3	16.1	409.4	16.4	417.2
H27A38QDBE	65	1.9	92.5	42.0	96.5	43.9	-Not Req'd	-Not Req'd	-Not Req'd	14.0	355.3	16.1	409.4	16.4	417.2
H27A42QDBE	65	1.9	100.5	45.7	109.5	49.8	-Not Req'd	-Not Req'd	-Not Req'd	15.2	387.0	17.4	441.1	17.7	449.0
H27A46QDBE	65	1.9	100.5	45.7	109.5	49.8	-Not Req'd	-Not Req'd	-Not Req'd	15.2	387.0	17.4	441.1	17.7	449.0
H27A50QDBE	65	1.9	100.5	45.7	109.5	49.8	-Not Req'd	-Not Req'd	-Not Req'd	15.2	387.0	17.4	441.1	17.7	449.0
H27A54QDBE	65	1.9	100.5	45.7	109.5	49.8	-Not Req'd	-Not Req'd	-Not Req'd	15.2	387.0	17.4	441.1	17.7	449.0
H27A56QDBE	65	1.9	100.5	45.7	109.5	49.8	-Not Req'd	-Not Req'd	-Not Req'd	15.2	387.0	17.4	441.1	17.7	449.0
H27A62QDBE	65	1.9	100.5	45.7	109.5	49.8	-Not Req'd	-Not Req'd	-Not Req'd	16.2	410.6	13.2	336.3	13.5	343.4
H27A32QDBF	65	1.9	92.5	42.0	96.5	43.9	-Not Req'd	-Not Req'd	-Not Req'd	14.0	355.3	16.1	409.4	16.4	417.2
H27A35QDBF	65	1.9	92.5	42.0	96.5	43.9	-Not Req'd	-Not Req'd	-Not Req'd	14.0	355.3	16.1	409.4	16.4	417.2
H27A38QDBF	65	1.9	92.5	42.0	96.5	43.9	-Not Req'd	-Not Req'd	-Not Req'd	14.0	355.3	16.1	409.4	16.4	417.2
H27A42QDBF	65	1.9	100.5	45.7	109.5	49.8	-Not Req'd	-Not Req'd	-Not Req'd	15.2	387.0	17.4	441.1	17.7	449.0
H27A46QDBF	65	1.9	100.5	45.7	109.5	49.8	-Not Req'd	-Not Req'd	-Not Req'd	15.2	387.0	17.4	441.1	17.7	449.0
H27A50QDBF	65	1.9	100.5	45.7	109.5	49.8	-Not Req'd	-Not Req'd	-Not Req'd	15.2	387.0	17.4	441.1	17.7	449.0
H27A54QDBF	65	1.9	100.5	45.7	109.5	49.8	-Not Req'd	-Not Req'd	-Not Req'd	15.2	387.0	17.4	441.1	17.7	449.0
H27A56QDBF	65	1.9	100.5	45.7	109.5	49.8	-Not Req'd	-Not Req'd	-Not Req'd	15.2	387.0	17.4	441.1	17.7	449.0
H27A62QDBF	65	1.9	100.5	45.7	109.5	49.8	-Not Req'd	-Not Req'd	-Not Req'd	16.2	410.6	13.2	336.3	13.5	343.4

H26AQ SERIES



Model	@45/130					@45/100		
	Capacity		Motor Input	EER/COP		Capacity	Motor Input	EER
	BTU/H	WATTS		BTU/WH	W/W			

Electrical Data			Displacement	
RLA	LRA	MCC	IN ³ /REV	CM ³ /REV

230/208 VOLTS - 1 Phase

H26A32QCBC	31200	9155	2696	11.6	3.4	40650	2160	18.8
H26A35QCBC	35000	10270	3021	11.6	3.4	44700	2350	19.0
H26A38QCBC	38200	11209	3260	11.7	3.4	49000	2544	19.3
H26A42QCBC	41500	12177	3554	11.7	3.4	53200	2770	19.2
H26A46QCBC	46300	13585	3972	11.7	3.4	59300	3114	19.0
H26A50QCBC	48700	14290	4207	11.6	3.4	61520	3275	18.8
H26A54QCBC	52900	15522	4604	11.5	3.4	66750	3618	18.4
H26A56QCBC	55900	16402	4934	11.3	3.3	69700	3880	18.0
H26A62QCBC	61000	17899	5390	11.3	3.3	75950	4281	17.7

11.8	87	25	3.30	54.05
13.6	87	28	3.63	59.46
14.4	87	28	3.89	63.72
15.8	105	34	4.21	68.96
17.6	105	36	4.64	76.00
18.5	135	38	4.83	79.12
20.4	135	42	5.25	86.00
21.5	147	44	5.46	89.43
24.2	147	48	5.92	96.97

230/200 VOLTS - 3 Phase

H26A32QDBL	26520	7782	2292	11.6	3.4	40650	2156	18.9
H26A38QDBL	38200	11209	3260	11.7	3.4	48987	2544	19.3
H26A42QDBL	41500	12177	3554	11.7	3.4	53200	2770	19.2
H26A50QDBL	48700	14290	4207	11.6	3.4	61519	3275	18.8
H26A54QDBL	52900	15522	4604	11.5	3.4	66743	3618	18.4
H26A56QDBL	55900	16402	4934	11.3	3.3	69652	3876	18.0
H26A62QDBL	61000	17899	5390	11.3	3.3	75942	4271	17.8
H26A68QDBL	68200	20011	6010	11.3	3.3	83520	5047	16.5
H26A72QDBL	71500	20980	6340	11.3	3.3	88300	5073	17.4

7.2	115	22	3.30	54.05
10.2	110	22	3.89	63.72
11.3	130	22	4.21	68.96
13.2	137	25	4.83	79.12
14.7	137	25	5.25	86.00
15.4	150	26	5.46	89.43
17.3	150	27	5.92	96.97
17.5	158	30	6.57	107.62
18.3	158	34	6.85	112.20

460 VOLTS - 3 Phase

H26A32QDBE	31200	9155	2696	11.6	3.4	40645	2156	18.9
H26A35QDBE	35000	10270	3021	11.6	3.4	44694	2351	19.0
H26A38QDBE	38200	11209	3260	11.7	3.4	48987	2544	19.3
H26A42QDBE	41500	12177	3554	11.7	3.4	53200	2770	19.2
H26A46QDBE	46300	13585	3972	11.7	3.4	59275	3114	19.0
H26A50QDBE	48700	14290	4207	11.6	3.4	61519	3275	18.8
H26A54QDBE	52900	15522	4604	11.5	3.4	66743	3618	18.4
H26A56QDBE	55900	16402	4934	11.3	3.3	69652	3876	18.0
H26A62QDBE	61000	17899	5390	11.3	3.3	75942	4271	17.8
H26A68QDBE	68240	20023	6010	11.4	3.3	84103	4820	17.4
H26A72QDBE	71500	20980	6340	11.3	3.3	88299	5073	17.4

4.3	54	10	3.30	54.05
4.8	54	10	3.63	59.46
5.1	54	11	3.89	63.72
5.6	54	11	4.21	68.96
6.3	64	11	4.64	76.00
6.6	69	13	4.83	79.12
7.3	69	14	5.25	86.00
7.7	75	15	5.46	89.43
8.6	75	15	5.92	96.97
8.8	79	15	6.57	107.62
9.2	79	15	6.85	112.20

575 VOLTS - 3 Phase

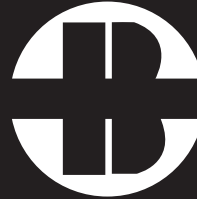
H26A32QDBF	31200	9155	2696	11.6	3.4	40645	2156	18.9
H26A35QDBF	35000	10270	3021	11.6	3.4	44694	2351	19.0
H26A38QDBF	38200	11209	3260	11.7	3.4	48987	2544	19.3
H26A42QDBF	41500	12177	3554	11.7	3.4	53200	2770	19.2
H26A46QDBF	46300	13585	3972	11.7	3.4	59275	3114	19.0
H26A50QDBF	48700	14290	4207	11.6	3.4	61519	3275	18.8
H26A54QDBF	52900	15522	4604	11.5	3.4	66743	3618	18.4
H26A56QDBF	55900	16402	4934	11.3	3.3	69590	3876	18.0
H26A62QDBF	61000	17899	5390	11.3	3.3	75942	4271	17.8
H26A68QDBF	68200	20011	6010	11.3	3.3	84103	4820	17.4
H26A72QDBF	71500	20980	6340	11.3	3.3	88299	5073	17.4

3.4	44	9	3.30	54.05
3.9	44	9	3.63	59.46
4.1	44	9	3.89	63.72
4.5	52	9	4.21	68.96
5.1	52	10	4.64	76.00
5.3	58	10	4.83	79.12
5.9	58	10	5.25	86.00
6.2	62	10	5.46	89.43
6.9	62	11	5.92	96.97
7.0	65	14	6.57	107.62
7.3	65	14	6.85	112.20

*Data Subject to Revision

Model	Oil Charge		Weight				ELECTRICAL START COMPONENTS			DIMENSIONS					
							Run Capacitor	Start Capacitor	G.E. Relay	*DIAGRAMS FOUND ON PAGE 34					
	OZ	L	Net Lbs	Net Kg	Ship Lbs	Ship Kg	MFD/VOLTS	MFD/VOLTS		A		B		C	
									IN	MM	IN	MM	IN	MM	
H26A32QCBC	65	1.9	92.5	42.0	96.5	43.9	40/370	270-324/330	3ARR22*3S*	14.0	355.3	16.1	409.4	16.4	417.2
H26A35QCBC	65	1.9	92.5	42.0	96.5	43.9	40/370	270-324/330	3ARR22*3S*	14.0	355.3	16.1	409.4	16.4	417.2
H26A38QCBC	65	1.9	92.5	42.0	96.5	43.9	45/370	270-324/330	3ARR22*3S*	14.0	355.3	16.1	409.4	16.4	417.2
H26A42QCBC	65	1.9	100.5	45.7	104.5	47.5	45/370	270-324/330	3ARR22*3P*	15.2	387.0	17.4	441.1	17.7	449.0
H26A46QCBC	65	1.9	100.5	45.7	104.5	47.5	55/370	270-324/330	3ARR22*3P*	15.2	387.0	17.4	441.1	17.7	449.0
H26A50QCBC	65	1.9	105.5	48.0	109.5	49.8	55/370	270-324/330	3ARR22*3N*	15.2	387.0	17.4	441.1	17.7	449.0
H26A54QCBC	65	1.9	105.5	48.0	109.5	49.8	60/370	270-324/330	3ARR22*3N*	15.2	387.0	17.4	441.1	17.7	449.0
H26A56QCBC	65	1.9	105.5	48.0	109.5	49.8	60/370	270-324/330	3ARR22*3N*	15.2	387.0	17.4	441.1	17.7	449.0
H26A62QCBC	65	1.9	105.5	48.0	109.5	49.8	60/370	270-324/330	3ARR22*24R*	15.2	387.0	17.4	441.1	17.7	449.0
H26A32QDBL	65	1.9	92.5	42.0	96.5	43.9	-Not Req'd	-Not Req'd	-Not Req'd	14.0	355.3	16.1	409.4	16.4	417.2
H26A38QDBL	65	1.9	92.5	42.0	96.5	43.9	-Not Req'd	-Not Req'd	-Not Req'd	14.0	355.3	16.1	409.4	16.4	417.2
H26A42QDBL	65	1.9	94.5	43.0	98.5	44.8	-Not Req'd	-Not Req'd	-Not Req'd	14.0	355.3	16.1	409.4	16.4	417.2
H26A50QDBL	65	1.9	100.5	45.7	104.5	47.5	-Not Req'd	-Not Req'd	-Not Req'd	15.2	387.0	17.4	441.4	17.7	449.0
H26A54QDBL	65	1.9	100.5	45.7	104.5	47.5	-Not Req'd	-Not Req'd	-Not Req'd	15.2	387.0	17.4	441.1	17.7	449.0
H26A56QDBL	65	1.9	105.5	48.0	109.5	49.8	-Not Req'd	-Not Req'd	-Not Req'd	15.2	387.0	17.4	441.1	17.7	449.0
H26A62QDBL	65	1.9	105.5	48.0	109.5	49.8	-Not Req'd	-Not Req'd	-Not Req'd	15.2	387.0	17.4	441.1	17.7	449.0
H26A68QDBL	65	1.9	105.5	48.0	109.5	49.8	-Not Req'd	-Not Req'd	-Not Req'd	15.2	387.0	17.4	441.1	17.7	449.0
H26A72QDBL	65	1.9	105.5	48.0	109.5	49.8	-Not Req'd	-Not Req'd	-Not Req'd	15.2	387.0	17.4	441.1	17.7	449.0
H26A32QDBE	65	1.9	92.5	42.0	96.5	43.9	-Not Req'd	-Not Req'd	-Not Req'd	14.0	355.3	16.1	409.4	16.4	417.2
H26A35QDBE	65	1.9	92.5	42.0	96.5	43.9	-Not Req'd	-Not Req'd	-Not Req'd	14.0	355.3	16.1	409.4	16.4	417.2
H26A38QDBE	65	1.9	92.5	42.0	96.5	43.9	-Not Req'd	-Not Req'd	-Not Req'd	14.0	355.3	16.1	409.4	16.4	417.2
H26A42QDBE	65	1.9	94.5	43.0	98.5	44.8	-Not Req'd	-Not Req'd	-Not Req'd	14.0	355.3	16.1	409.4	16.4	417.2
H26A46QDBE	65	1.9	94.5	43.0	98.5	44.8	-Not Req'd	-Not Req'd	-Not Req'd	14.0	355.3	16.1	409.4	16.4	417.2
H26A50QDBE	65	1.9	100.5	45.7	104.5	47.5	-Not Req'd	-Not Req'd	-Not Req'd	15.2	387.0	17.4	441.1	17.7	449.0
H26A54QDBE	65	1.9	100.5	45.7	104.5	47.5	-Not Req'd	-Not Req'd	-Not Req'd	15.2	387.0	17.4	441.1	17.7	449.0
H26A56QDBE	65	1.9	105.5	48.0	109.5	49.8	-Not Req'd	-Not Req'd	-Not Req'd	15.2	387.0	17.4	441.1	17.7	449.0
H26A62QDBE	65	1.9	105.5	48.0	109.5	49.8	-Not Req'd	-Not Req'd	-Not Req'd	15.2	387.0	17.4	441.1	17.7	449.0
H26A68QDBE	65	1.9	105.5	48.0	109.5	49.8	-Not Req'd	-Not Req'd	-Not Req'd	15.2	387.0	17.4	441.1	17.7	449.0
H26A72QDBE	65	1.9	105.5	48.0	109.5	49.8	-Not Req'd	-Not Req'd	-Not Req'd	15.2	387.0	17.4	441.1	17.7	449.0
H26A32QDBF	65	1.9	92.5	42.0	96.5	43.9	-Not Req'd	-Not Req'd	-Not Req'd	14.0	355.3	16.1	409.4	16.4	417.2
H26A35QDBF	65	1.9	92.5	42.0	96.5	43.9	-Not Req'd	-Not Req'd	-Not Req'd	14.0	355.3	16.1	409.4	16.4	417.2
H26A38QDBF	65	1.9	92.5	42.0	96.5	43.9	-Not Req'd	-Not Req'd	-Not Req'd	14.0	355.3	16.1	409.4	16.4	417.2
H26A42QDBF	65	1.9	94.5	43.0	98.5	44.8	-Not Req'd	-Not Req'd	-Not Req'd	14.0	355.3	16.1	409.4	16.4	417.2
H26A46QDBF	65	1.9	94.5	43.0	98.5	44.8	-Not Req'd	-Not Req'd	-Not Req'd	14.0	355.3	16.1	409.4	16.4	417.2
H26A50QDBF	65	1.9	100.5	45.7	104.5	47.5	-Not Req'd	-Not Req'd	-Not Req'd	15.2	387.0	17.4	441.1	17.7	449.0
H26A54QDBF	65	1.9	100.5	45.7	104.5	47.5	-Not Req'd	-Not Req'd	-Not Req'd	15.2	387.0	17.4	441.1	17.7	449.0
H26A56QDBF	65	1.9	105.5	48.0	109.5	49.8	-Not Req'd	-Not Req'd	-Not Req'd	15.2	387.0	17.4	441.1	17.7	449.0
H26A62QDBF	65	1.9	105.5	48.0	109.5	49.8	-Not Req'd	-Not Req'd	-Not Req'd	15.2	387.0	17.4	441.1	17.7	449.0
H26A68QDBF	65	1.9	105.5	48.0	109.5	49.8	-Not Req'd	-Not Req'd	-Not Req'd	15.2	387.0	17.4	441.1	17.7	449.0
H26A72QDBF	65	1.9	105.5	48.0	109.5	49.8	-Not Req'd	-Not Req'd	-Not Req'd	15.2	387.0	17.4	441.1	17.7	449.0

H26AQ SERIES



Model	@45/130					@45/100		
	Capacity		Motor Input	EER/COP		Capacity	Motor Input	EER
	BTU/H	WATTS		BTU/WH	W/W			
220/200 VOLTS - 3 Phase								
H26A32QDBL	26520	7782	2292	11.6	3.4	34503	1833	18.8
H26A35QDBL	29750	8729	2568	11.6	3.4	37989	1999	19.0
H26A38QDBL	32470	9527	2771	11.7	3.4	41639	2163	19.3
H26A42QDBL	35275	10350	3021	11.7	3.4	45220	2355	19.2
H26A46QDBL	39355	11548	3376	11.7	3.4	50389	2647	19.0
H26A50QDBL	41395	12146	3576	11.6	3.4	52291	2784	18.8
H26A54QDBL	44965	13194	3913	11.5	3.4	56731	3075	18.4
H26A56QDBL	47515	13942	4194	11.3	3.3	49204	3294	14.9
H26A62QDBL	51850	15214	4582	11.3	3.3	64550	3630	17.8
H26A68QDBL	59000	17312	5135	11.5	3.4	71775	4229	17.0
H26A72QDBL	61580	18069	5374	11.5	3.4	75143	4230	17.8

380/415 VOLTS - 3 Phase								
H26A32QDBE	26520	7782	2292	11.6	3.4	34548	1833	18.8
H26A35QDBE	29750	8729	2568	11.6	3.4	37993	1999	19.0
H26A38QDBE	32470	9527	2771	11.7	3.4	41639	2163	19.3
H26A42QDBE	35275	10350	3021	11.7	3.4	45220	2355	19.2
H26A46QDBE	39355	11548	3376	11.7	3.4	50384	2647	19.0
H26A50QDBE	41395	12146	3576	11.6	3.4	52291	2784	18.8
H26A54QDBE	44965	13194	3913	11.5	3.4	56731	3075	18.4
H26A56QDBE	47515	13942	4194	11.3	3.3	59204	3294	18.0
H26A62QDBE	51850	15214	4582	11.3	3.3	64550	3630	17.8
H26A68QDBE	59000	17312	5135	11.5	3.4	71991	4055	17.8
H26A72QDBE	61580	18069	5374	11.5	3.4	75143	4230	17.8

500 VOLTS - 3 Phase								
H26A35QDBF	29750	8729	2568	11.6	3.4	37989	1999	19.0
H26A38QDBF	32470	9527	2771	11.7	3.4	41639	2163	19.3
H26A42QDBF	35275	10350	3021	11.7	3.4	45220	2355	19.2
H26A46QDBF	39355	11548	3376	11.7	3.4	50389	2647	19.0
H26A50QDBF	41395	12146	3576	11.6	3.4	52291	2784	18.8
H26A54QDBF	44965	13194	3913	11.5	3.4	56731	3075	18.4
H26A56QDBF	47515	13942	4194	11.3	3.3	59204	3294	18.0
H26A68QDBF	59000	17312	5135	11.5	3.4	64550	3630	17.8
H26A72QDBF	61580	18069	5374	11.5	3.4	75143	4230	17.8

Electrical Data			Displacement	
RLA	LRA	MCC	IN ³ /REV	CM ³ /REV
7.2	115	22	3.30	54.05
8.2	115	22	3.63	59.46
8.7	115	22	3.89	63.72
3.8	49	9	4.21	68.96
4.3	49	10	4.64	76.00
4.5	52	10	4.83	79.12
5.0	52	10	5.25	86.00
5.2	56	10	5.46	89.43
14.7	157	27	5.92	96.97
17.6	165	32	6.57	107.62
18.3	165	32	6.85	112.20

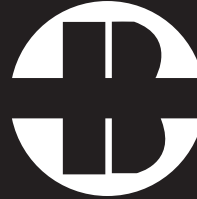
3.6	54	11	3.30	54.05
4.1	54	11	3.63	59.46
4.3	54	11	3.89	63.72
4.8	58	11	4.21	68.96
5.4	58	11	4.64	76.00
5.6	62	13	4.83	79.12
6.2	62	14	5.25	86.00
6.5	66	15	5.46	89.43
7.3	66	15	5.92	96.97
9.0	79	15	6.57	107.62
9.2	79	16	6.85	112.20

3.3	42	9	3.63	59.46
3.5	42	9	3.89	63.72
3.8	49	9	4.21	68.96
4.3	49	10	4.64	76.00
4.5	52	10	4.83	79.12
5.0	52	10	5.25	86.00
5.2	56	10	5.46	89.43
7.2	65	14	6.57	107.62
7.5	65	14	6.85	112.20

*Data Subject to Revision

Model	Oil Charge		Weight				ELECTRICAL START COMPONENTS			DIMENSIONS					
							Run Capacitor	Start Capacitor	G.E. Relay	*DIAGRAMS FOUND ON PAGE 34					
	OZ	L	Net Lbs	Net Kg	Ship Lbs	Ship Kg				MFD/VOLTS	MFD/VOLTS		A		B
H26A32QDBL	65	1.9	92.5	42.0	96.5	43.9	-Not Req'd	-Not Req'd	-Not Req'd	14.0	355.3	16.1	409.4	16.4	417.2
H26A35QDBL	65	1.9	92.5	42.0	96.5	43.9	-Not Req'd	-Not Req'd	-Not Req'd	14.0	355.3	16.1	409.4	16.4	417.2
H26A38QDBL	65	1.9	92.5	42.0	96.5	43.9	-Not Req'd	-Not Req'd	-Not Req'd	14.0	355.3	16.1	409.4	16.4	417.2
H26A42QDBL	65	1.9	94.5	43.0	98.5	44.8	-Not Req'd	-Not Req'd	-Not Req'd	14.0	355.3	16.1	409.4	16.4	417.2
H26A46QDBL	65	1.9	94.5	43.0	98.5	44.8	-Not Req'd	-Not Req'd	-Not Req'd	14.0	355.3	16.1	409.4	16.4	417.2
H26A50QDBL	65	1.9	100.5	45.7	104.5	47.5	-Not Req'd	-Not Req'd	-Not Req'd	15.2	387.0	17.4	441.1	17.7	449.0
H26A54QDBL	65	1.9	100.5	45.7	104.5	47.5	-Not Req'd	-Not Req'd	-Not Req'd	15.2	387.0	17.4	441.1	17.7	449.0
H26A56QDBL	65	1.9	105.5	48.0	109.5	49.8	-Not Req'd	-Not Req'd	-Not Req'd	15.2	387.0	17.4	441.1	17.7	449.0
H26A62QDBL	65	1.9	105.5	48.0	109.5	49.8	-Not Req'd	-Not Req'd	-Not Req'd	15.2	387.0	17.4	441.1	17.7	449.0
H26A68QDBL	65	1.9	105.5	48.0	109.5	49.8	-Not Req'd	-Not Req'd	-Not Req'd	15.2	387.0	17.4	441.1	17.7	449.0
H26A72QDBL	65	1.9	105.5	48.0	109.5	49.8	-Not Req'd	-Not Req'd	-Not Req'd	15.2	387.0	17.4	441.1	17.7	449.0
H26A32QDBE	65	1.9	92.5	42.0	96.5	43.9	-Not Req'd	-Not Req'd	-Not Req'd	14.0	355.3	16.1	409.4	16.4	417.2
H26A35QDBE	65	1.9	92.5	42.0	96.5	43.9	-Not Req'd	-Not Req'd	-Not Req'd	14.0	355.3	16.1	409.4	16.4	417.2
H26A38QDBE	65	1.9	92.5	42.0	96.5	43.9	-Not Req'd	-Not Req'd	-Not Req'd	14.0	355.3	16.1	409.4	16.4	417.2
H26A42QDBE	65	1.9	94.5	43.0	98.5	44.8	-Not Req'd	-Not Req'd	-Not Req'd	14.0	355.3	16.1	409.4	16.4	417.2
H26A46QDBE	65	1.9	94.5	43.0	98.5	44.8	-Not Req'd	-Not Req'd	-Not Req'd	14.0	355.3	16.1	409.4	16.4	417.2
H26A50QDBE	65	1.9	100.5	45.7	104.5	47.5	-Not Req'd	-Not Req'd	-Not Req'd	15.2	387.0	17.4	441.1	17.7	449.0
H26A54QDBE	65	1.9	100.5	45.7	104.5	47.5	-Not Req'd	-Not Req'd	-Not Req'd	15.2	387.0	17.4	441.1	17.7	449.0
H26A56QDBE	65	1.9	105.5	48.0	109.5	49.8	-Not Req'd	-Not Req'd	-Not Req'd	15.2	387.0	17.4	441.1	17.7	449.0
H26A62QDBE	65	1.9	105.5	48.0	109.5	49.8	-Not Req'd	-Not Req'd	-Not Req'd	15.2	387.0	17.4	441.1	17.7	449.0
H26A68QDBE	65	1.9	105.5	48.0	109.5	49.8	-Not Req'd	-Not Req'd	-Not Req'd	15.2	387.0	17.4	441.1	17.7	449.0
H26A72QDBE	65	1.9	105.5	48.0	109.5	49.8	-Not Req'd	-Not Req'd	-Not Req'd	15.2	387.0	17.4	441.1	17.7	449.0
H26A35QDBF	65	1.9	92.5	42.0	96.5	43.9	-Not Req'd	-Not Req'd	-Not Req'd	14.0	355.3	16.1	409.4	16.4	417.2
H26A38QDBF	65	1.9	92.5	42.0	96.5	43.9	-Not Req'd	-Not Req'd	-Not Req'd	14.0	355.3	16.1	409.4	16.4	417.2
H26A42QDBF	65	1.9	94.5	43.0	98.5	44.8	-Not Req'd	-Not Req'd	-Not Req'd	14.0	355.3	16.1	409.4	16.4	417.2
H26A46QDBF	65	1.9	94.5	43.0	98.5	44.8	-Not Req'd	-Not Req'd	-Not Req'd	14.0	355.3	16.1	409.4	16.4	417.2
H26A50QDBF	65	1.9	100.5	45.7	104.5	47.5	-Not Req'd	-Not Req'd	-Not Req'd	15.2	387.0	17.4	441.1	17.7	449.0
H26A54QDBF	65	1.9	100.5	45.7	104.5	47.5	-Not Req'd	-Not Req'd	-Not Req'd	15.2	387.0	17.4	441.1	17.7	449.0
H26A56QDBF	65	1.9	105.5	48.0	109.5	49.8	-Not Req'd	-Not Req'd	-Not Req'd	15.2	387.0	17.4	441.1	17.7	449.0
H26A68QDBF	65	1.9	105.5	48.0	109.5	49.8	-Not Req'd	-Not Req'd	-Not Req'd	15.2	387.0	17.4	441.1	17.7	449.0
H26A72QDBF	65	1.9	105.5	48.0	109.5	49.8	-Not Req'd	-Not Req'd	-Not Req'd	15.2	387.0	17.4	441.1	17.7	449.0

H25AQ SERIES



Model	@45/130					@45/100		
	Capacity		Motor Input	EER/COP		Capacity	Motor Input	EER
	BTU/H	WATTS		BTU/WH	W/W			
230/208 VOLTS - 1 Phase								
H25A32QCBC	32000	9389	2805	11.4	3.3	39769	2209	18.0
H25A35QCBC	34900	10240	3050	11.4	3.4	43439	2411	18.0
H25A38QCBC	37900	11121	3315	11.4	3.4	47172	2618	18.0
H25A42QCBC	41800	12265	3655	11.4	3.4	52026	2888	18.0
H25A46QCBC	46100	13527	4030	11.4	3.4	57378	3185	18.0
H25A50QCBC	49000	14378	4285	11.4	3.4	60988	3385	18.0
H25A54QCBC	53500	15698	4675	11.4	3.4	66589	3696	18.0
H25A56QCBC	55600	16314	4945	11.2	3.3	69203	3909	17.7
H25A62QCBC	61000	17899	5430	11.2	3.3	75924	4289	17.7

230/200 VOLTS - 3 Phase								
H25A32QDBL	32000	9389	2775	11.5	3.4	39829	2191	18.2
H25A35QDBL	34900	10240	3025	11.5	3.4	43438	2389	18.2
H25A38QDBL	37900	11121	3285	11.5	3.4	47172	2594	18.2
H25A42QDBL	41800	12265	3620	11.5	3.4	52026	2861	18.2
H25A46QDBL	46100	13527	3995	11.5	3.4	57378	3156	18.2
H25A50QDBL	49000	14378	4245	11.5	3.4	60988	3354	18.2
H25A54QDBL	53500	15698	4635	11.5	3.4	66589	3663	18.2
H25A56QDBL	55600	16314	4900	11.3	3.3	69203	3874	17.9
H25A62QDBL	61000	17899	5375	11.3	3.3	75924	4249	17.9

460 VOLTS - 3 Phase								
H25A32QDBE	32000	9389	2775	11.5	3.4	39829	2191	18.2
H25A35QDBE	34900	10240	3025	11.5	3.4	43438	2389	18.2
H25A38QDBE	37900	11121	3285	11.5	3.4	47172	2594	18.2
H25A42QDBE	41800	12265	3620	11.5	3.4	52026	2861	18.2
H25A46QDBE	46100	13527	3995	11.5	3.4	57378	3156	18.2
H25A50QDBE	49000	14378	4245	11.5	3.4	60988	3354	18.2
H25A54QDBE	53500	15698	4635	11.5	3.4	66589	3663	18.2
H25A56QDBE	55600	16314	4900	11.3	3.3	69203	3874	17.9
H25A62QDBE	61000	17899	5375	11.3	3.3	75924	4249	17.9

Electrical Data			Displacement		
RLA	LRA	MCC	IN ³ /REV	CM ³ /REV	
12.0	87	25	3.30	54.12	
13.6	87	28	3.63	59.52	
14.7	87	30	3.89	63.78	
16.4	105	34	4.21	68.99	
18.0	105	36	4.64	75.95	
19.0	135	38	4.83	79.05	
20.7	135	42	5.25	86.01	
22.0	135	44	5.46	89.48	
24.6	147	48	5.92	97.02	

8.8	110	22	3.30	54.12	
9.6	110	22	3.63	59.52	
10.3	110	22	3.89	63.78	
11.9	130	22	4.21	68.99	
12.6	130	23	4.64	75.95	
13.0	137	25	4.83	79.05	
14.0	137	25	5.25	86.01	
14.5	150	26	5.46	89.48	
16.0	150	27	5.92	97.02	

4.5	54	10	3.30	54.12	
4.7	54	10	3.63	59.52	
5.1	54	11	3.89	63.78	
5.7	64	11	4.21	68.99	
6.4	64	11	4.64	75.95	
6.5	69	13	4.83	79.05	
7.0	69	14	5.25	86.01	
7.3	75	15	5.46	89.48	
8.0	75	15	5.92	97.02	

H25AQ SERIES

220/200 VOLTS - 3 Phase								
H25A32QDBL	27200	7981	2360	11.5	3.4	33848	1861	18.2
H25A35QDBL	29670	8706	2570	11.5	3.4	36923	2031	18.2
H25A38QDBL	32220	9454	2790	11.5	3.4	40094	2205	18.2
H25A42QDBL	35530	10425	3080	11.5	3.4	44222	2432	18.2
H25A46QDBL	39185	11498	3395	11.5	3.4	51840	2851	18.2
H25A50QDBL	41650	12221	3610	11.5	3.4	51840	2851	18.2
H25A54QDBL	45475	13343	3940	11.5	3.4	56605	3114	18.2
H25A56QDBL	47260	13867	4165	11.3	3.3	58822	3293	17.9
H25A62QDBL	51850	15214	4570	11.3	3.3	64535	3612	17.9

7.4	115	22	3.30	54.12	
8.1	115	22	3.63	59.52	
8.8	115	22	3.89	63.78	
10.0	138	22	4.21	68.99	
11.7	138	23	4.64	75.95	
12.1	145	25	4.83	79.05	
13.2	145	25	5.25	86.01	
13.5	157	26	5.46	89.48	
14.9	157	27	5.92	97.02	

380/415 VOLTS - 3 Phase								
H25A32QDBE	27200	7981	2360	11.5	3.4	33854	1862	18.2
H25A35QDBE	29670	8706	2570	11.5	3.4	36929	2031	18.2
H25A38QDBE	32215	9453	2790	11.5	3.4	40096	2205	18.2
H25A42QDBE	35530	10425	3080	11.5	3.4	44222	2432	18.2
H25A46QDBE	39185	11498	3395	11.5	3.4	48772	2683	18.2
H25A50QDBE	41650	12221	3610	11.5	3.4	51840	2851	18.2
H25A54QDBE	45475	13343	3940	11.5	3.4	56601	3113	18.2
H25A56QDBE	47260	13867	4165	11.3	3.3	58822	3293	17.9
H25A62QDBE	51850	15214	4570	11.3	3.3	64535	3612	17.9

4.1	54	11	3.30	54.12	
4.5	54	11	3.63	59.52	
4.8	54	11	3.89	63.78	
5.6	58	11	4.21	68.99	
5.9	58	11	4.64	75.95	
6.1	62	13	4.83	79.05	
6.6	62	14	5.25	86.01	
6.8	66	15	5.46	89.48	
7.5	66	15	5.92	97.02	

*Data Subject to Revision

Model	Oil Charge		Weight				ELECTRICAL START COMPONENTS			DIMENSIONS					
							Run Capacitor	Start Capacitor	G.E. Relay	*DIAGRAMS FOUND ON PAGE 34					
	OZ	L	Net Lbs	Net Kg	Ship Lbs	Ship Kg	MFD/VOLTS	MFD/VOLTS		A IN	A MM	B IN	B MM	C IN	C MM
H25A32QCBC	65	1.9	92	41.8	96.7	44.0	40/370	270-324/330	3ARR22*3S*	14.0	355.3	16.1	409.4	16.4	417.2
H25A35QCBC	65	1.9	92	41.8	96.7	44.0	40/370	270-324/330	3ARR22*3S*	14.0	355.3	16.1	409.4	16.4	417.2
H25A38QCBC	65	1.9	92	41.8	96.7	44.0	45/370	270-324/330	3ARR22*3S*	14.0	355.3	16.1	409.4	16.4	417.2
H25A42QCBC	65	1.9	100	45.5	104.7	47.6	45/370	270-324/330	3ARR22*3P*	15.2	387.0	17.4	441.1	17.7	449.0
H25A46QCBC	65	1.9	100	45.5	104.7	47.6	55/370	270-324/330	3ARR22*3P*	15.2	387.0	17.4	441.1	17.7	449.0
H25A50QCBC	65	1.9	105	47.7	109.7	49.9	55/370	270-324/330	3ARR22*3N*	15.2	387.0	17.4	441.1	17.7	449.0
H25A54QCBC	65	1.9	105	47.7	109.7	49.9	60/370	270-324/330	3ARR22*3N*	15.2	387.0	17.4	441.1	17.7	449.0
H25A56QCBC	65	1.9	105	47.7	109.7	49.9	60/370	270-324/330	3ARR22*3N*	15.2	387.0	17.4	441.1	17.7	449.0
H25A62QCBC	65	1.9	105	47.7	109.7	49.9	60/370	270-324/330	3ARR22*24R*	15.2	387.0	17.4	441.1	17.7	449.0
H25A32QDBL	65	1.9	92	41.8	96.7	44.0	-Not Req'd	-Not Req'd	-Not Req'd	14.0	355.3	16.1	409.4	16.4	417.2
H25A35QDBL	65	1.9	92	41.8	96.7	44.0	-Not Req'd	-Not Req'd	-Not Req'd	14.0	355.3	16.1	409.4	16.4	417.2
H25A38QDBL	65	1.9	92	41.8	96.7	44.0	-Not Req'd	-Not Req'd	-Not Req'd	14.0	355.3	16.1	409.4	16.4	417.2
H25A42QDBL	65	1.9	94	42.7	98.7	44.9	-Not Req'd	-Not Req'd	-Not Req'd	14.0	355.3	16.1	409.4	16.4	417.2
H25A46QDBL	65	1.9	94	42.7	98.7	44.9	-Not Req'd	-Not Req'd	-Not Req'd	14.0	355.3	16.1	409.4	16.4	417.2
H25A50QDBL	65	1.9	100	45.5	104.7	47.6	-Not Req'd	-Not Req'd	-Not Req'd	15.2	387.0	17.4	441.1	17.7	449.0
H25A54QDBL	65	1.9	100	45.5	104.7	47.6	-Not Req'd	-Not Req'd	-Not Req'd	15.2	387.0	17.4	441.1	17.7	449.0
H25A56QDBL	65	1.9	105	47.7	109.7	49.9	-Not Req'd	-Not Req'd	-Not Req'd	15.2	387.0	17.4	441.1	17.7	449.0
H25A62QDBL	65	1.9	105	47.7	109.7	49.9	-Not Req'd	-Not Req'd	-Not Req'd	15.2	387.0	17.4	441.1	17.7	449.0
H25A32QDBE	65	1.9	92	41.8	96.7	44.0	-Not Req'd	-Not Req'd	-Not Req'd	14.0	355.3	16.1	409.4	16.4	417.2
H25A35QDBE	65	1.9	92	41.8	96.7	44.0	-Not Req'd	-Not Req'd	-Not Req'd	14.0	355.3	16.1	409.4	16.4	417.2
H25A38QDBE	65	1.9	92	41.8	96.7	44.0	-Not Req'd	-Not Req'd	-Not Req'd	14.0	355.3	16.1	409.4	16.4	417.2
H25A42QDBE	65	1.9	94	42.7	98.7	44.9	-Not Req'd	-Not Req'd	-Not Req'd	14.0	355.3	16.1	409.4	16.4	417.2
H25A46QDBE	65	1.9	94	42.7	98.7	44.9	-Not Req'd	-Not Req'd	-Not Req'd	14.0	355.3	16.1	409.4	16.4	417.2
H25A50QDBE	65	1.9	100	45.5	104.7	47.6	-Not Req'd	-Not Req'd	-Not Req'd	15.2	387.0	17.4	441.1	17.7	449.0
H25A54QDBE	65	1.9	100	45.5	104.7	47.6	-Not Req'd	-Not Req'd	-Not Req'd	15.2	387.0	17.4	441.1	17.7	449.0
H25A56QDBE	65	1.9	105	47.7	109.7	49.9	-Not Req'd	-Not Req'd	-Not Req'd	15.2	387.0	17.4	441.1	17.7	449.0
H25A62QDBE	65	1.9	105	47.7	109.7	49.9	-Not Req'd	-Not Req'd	-Not Req'd	15.2	387.0	17.4	441.1	17.7	449.0

H25A32QDBL	65	1.9	92	41.8	96.7	44.0	-Not Req'd	-Not Req'd	-Not Req'd	14.0	355.3	16.1	409.4	16.4	417.2
H25A35QDBL	65	1.9	92	41.8	96.7	44.0	-Not Req'd	-Not Req'd	-Not Req'd	14.0	355.3	16.1	409.4	16.4	417.2
H25A38QDBL	65	1.9	92	41.8	96.7	44.0	-Not Req'd	-Not Req'd	-Not Req'd	14.0	355.3	16.1	409.4	16.4	417.2
H25A42QDBL	65	1.9	94	42.7	98.7	44.9	-Not Req'd	-Not Req'd	-Not Req'd	14.0	355.3	16.1	409.4	16.4	417.2
H25A46QDBL	65	1.9	94	42.7	98.7	44.9	-Not Req'd	-Not Req'd	-Not Req'd	14.0	355.3	16.1	409.4	16.4	417.2
H25A50QDBL	65	1.9	100	45.5	104.7	47.6	-Not Req'd	-Not Req'd	-Not Req'd	15.2	387.0	17.4	441.1	17.7	449.0
H25A54QDBL	65	1.9	100	45.5	104.7	47.6	-Not Req'd	-Not Req'd	-Not Req'd	15.2	387.0	17.4	441.1	17.7	449.0
H25A56QDBL	65	1.9	105	47.7	109.7	49.9	-Not Req'd	-Not Req'd	-Not Req'd	15.2	387.0	17.4	441.1	17.7	449.0
H25A62QDBL	65	1.9	105	47.7	109.7	49.9	-Not Req'd	-Not Req'd	-Not Req'd	15.2	387.0	17.4	441.1	17.7	449.0
H25A32QDBE	65	1.9	92	41.8	96.7	44.0	-Not Req'd	-Not Req'd	-Not Req'd	14.0	355.3	16.1	409.4	16.4	417.2
H25A35QDBE	65	1.9	92	41.8	96.7	44.0	-Not Req'd	-Not Req'd	-Not Req'd	14.0	355.3	16.1	409.4	16.4	417.2
H25A38QDBE	65	1.9	92	41.8	96.7	44.0	-Not Req'd	-Not Req'd	-Not Req'd	14.0	355.3	16.1	409.4	16.4	417.2
H25A42QDBE	65	1.9	94	42.7	98.7	44.9	-Not Req'd	-Not Req'd	-Not Req'd	14.0	355.3	16.1	409.4	16.4	417.2
H25A46QDBE	65	1.9	94	42.7	98.7	44.9	-Not Req'd	-Not Req'd	-Not Req'd	14.0	355.3	16.1	409.4	16.4	417.2
H25A50QDBE	65	1.9	100	45.5	104.7	47.6	-Not Req'd	-Not Req'd	-Not Req'd	15.2	387.0	17.4	441.1	17.7	449.0
H25A54QDBE	65	1.9	100	45.5	104.7	47.6	-Not Req'd	-Not Req'd	-Not Req'd	15.2	387.0	17.4	441.1	17.7	449.0
H25A56QDBE	65	1.9	105	47.7	109.7	49.9	-Not Req'd	-Not Req'd	-Not Req'd	15.2	387.0	17.4	441.1	17.7	449.0
H25A62QDBE	65	1.9	105	47.7	109.7	49.9	-Not Req'd	-Not Req'd	-Not Req'd	15.2	387.0	17.4	441.1	17.7	449.0

H24A SERIES



Model	@45/130					@45/100		
	Capacity		Motor Input	EER/COP		Capacity	Motor Input	EER
	BTU/H	WATTS		BTU/WH	W/W			

Electrical Data			Displacement	
RLA	LRA	MCC	IN ³ /REV	CM ³ /REV

230/208 VOLTS - 1 Phase

H24A383ABC	39000	11443	3610	10.8	3.2	51103	2902	17.6
H24A423ABC	43000	12617	3950	10.9	3.2	55967	3200	17.5
H24A583CBC	56600	16607	5250	10.8	3.2	72400	4450	16.3

16.0	120	32.0	4.05	66.34
18.0	120	32.0	4.43	72.56
25.0	147	45.0	5.80	95.02

230/200 VOLTS - 3 Phase

H24A383DBL	39000	11443	3490	11.2	3.3	51103	2844	18.0
H24A423DBL	43000	12617	3900	11.0	3.2	55307	3137	17.6
H24A583DBL	57500	16872	5310	10.8	3.2	73028	4361	16.7

11.0	110	22.0	4.05	66.34
11.4	110	22.0	4.43	72.56
15.0	114	25.0	5.80	95.09

460 VOLTS - 3 Phase

H24A383DBE	39000	11443	3500	11.1	3.3	50439	2866	17.6
H24A423DBE	43000	12617	3900	11.0	3.2	55562	3175	17.5
H24A583DBE	57500	16872	5310	10.8	3.2	73028	4361	16.7

5.5	54	11.0	4.05	66.34
5.9	54	11.0	4.43	72.56
7.7	64	11.5	5.80	95.09

575 VOLTS - 3 Phase

H24A383DBF	39000	11443	3500	11.1	3.3	50785	2936	17.3
H24A423DBF	43000	12617	3900	11.0	3.2	55307	3137	17.6

4.3	44	9.0	4.05	66.34
4.6	44	9.0	4.43	72.56

H24A SERIES

220/240 VOLTS - 1 Phase

H24A383ABK	32300	9478	2970	10.9	3.2	41984	2397	17.5
H24A423ABK	36100	10592	3320	10.9	3.2	46761	2676	17.5

14.4	99	27.0	4.05	66.34
16.0	99	29.0	4.43	72.56

220/200 VOLTS - 3 Phase

H24A383DBL	32600	9566	2900	11.2	3.3	42247	2273	18.6
H24A423DBL	36500	10710	3300	11.1	3.2	46761	2585	18.1
H24A583DBL	48800	14319	4390	11.1	3.3	61850	3495	17.7

10.7	115	22.0	4.05	66.34
11.5	115	22.0	4.43	72.56
14.2	126	23.0	5.80	95.09

380/415 VOLTS - 3 Phase

H24A383DBE	32600	9566	2900	11.2	3.3	42247	2273	18.6
H24A423DBE	36500	10710	3300	11.1	3.2	46761	2585	18.1
H24A583DBE	48800	14319	4390	11.1	3.3	61851	3494	17.7

5.2	54	11.0	4.05	66.34
5.7	54	11.0	4.43	72.56
7.9	58	12.0	5.80	95.09

500 VOLTS - 3 Phase

H24A383DBF	32600	9566	2900	11.2	3.3	42247	2273	18.6
H24A423DBF	36500	10710	3300	11.1	3.2	46761	2585	18.1

4.3	42	9.0	4.05	66.34
4.7	42	9.0	4.43	72.56

*Data Subject to Revision

Model	Oil Charge		Weight				ELECTRICAL START COMPONENTS			DIMENSIONS					
							Run Capacitor	Start Capacitor	G.E. Relay	*DIAGRAMS FOUND ON PAGE 34					
	OZ	L	Net Lbs	Net Kg	Ship Lbs	Ship Kg	MFD/VOLTS	MFD/VOLTS		A		B		C	
									IN	MM	IN	MM	IN	MM	
H24A383ABC	50	1.5	95	43.2	99.5	45.2	40/440	145-175/250	3ARR3*25U*	14	355.3	16.1	409.4	16.4	416.5
H24A423ABC	50	1.5	95	43.2	99.5	45.2	45/440	145-175/250	3ARR3*25U*	14	355.3	15.8	399.7	16.1	409.4
H24A583CBC	55	1.6	93.0	42.3	97.5	44.4	60/370	270-324/330	3ARR22*24R*	14	355.2	16.1	409.2	16.4	416.3
H24A383DBL	50	1.5	87.5	39.8	91.5	41.6	-Not Req'd	-Not Req'd	-Not Req'd	14	355.3	15.8	399.7	16.1	409.4
H24A423DBL	50	1.5	87.5	39.8	91.5	41.6	-Not Req'd	-Not Req'd	-Not Req'd	14	355.3	15.8	399.7	16.1	409.4
H24A583DBL	55	1.6	87.5	39.8	92.5	42.0	-Not Req'd	-Not Req'd	-Not Req'd	14	355.3	16.1	409.4	16.4	416.5
H24A383DBE	50	1.5	87.5	39.8	91.5	41.6	-Not Req'd	-Not Req'd	-Not Req'd	14	355.3	16.1	409.4	16.4	416.5
H24A423DBE	50	1.5	87.5	39.8	91.5	41.6	-Not Req'd	-Not Req'd	-Not Req'd	14	355.3	15.8	399.7	16.1	409.4
H24A583DBE	55	1.6	87.5	39.8	92.5	42.0	-Not Req'd	-Not Req'd	-Not Req'd	14	355.3	16.1	409.4	16.4	416.5
H24A383DBF	50	1.5	87.5	39.8	91.5	41.6	-Not Req'd	-Not Req'd	-Not Req'd	14	355.3	16.1	409.4	16.4	416.5
H24A423DBF	50	1.5	87.5	39.8	91.5	41.6	-Not Req'd	-Not Req'd	-Not Req'd	14	355.3	15.8	399.7	16.1	409.4

50 HZ

H24A383ABK	50	1.5	92.5	42.0	97.0	44.1	40/440	145-175/330	3ARR3*4AA*	14	355.3	15.6	394.9	16.1	409.4
H24A423ABK	50	1.5	92.5	42.0	97.0	44.1	40/440	145-175/330	3ARR3*4AA*	14	355.3	15.8	399.7	16.1	409.4
H24A383DBL	50	1.5	87.5	39.8	91.5	41.6	-Not Req'd	-Not Req'd	-Not Req'd	14	355.3	15.8	399.7	16.1	409.4
H24A423DBL	50	1.5	87.5	39.8	91.5	41.6	-Not Req'd	-Not Req'd	-Not Req'd	14	355.3	15.8	399.7	16.1	409.4
H24A583DBL	55	1.6	87.5	39.8	92.5	42.0	-Not Req'd	-Not Req'd	-Not Req'd	14	355.3	16.1	409.4	16.4	416.5
H24A383DBE	50	1.5	87.5	39.8	91.5	41.6	-Not Req'd	-Not Req'd	-Not Req'd	14	355.3	16.1	409.4	16.4	416.5
H24A423DBE	50	1.5	87.5	39.8	91.5	41.6	-Not Req'd	-Not Req'd	-Not Req'd	14	355.3	15.8	399.7	16.1	409.4
H24A583DBE	55	1.6	87.5	39.8	92.5	42.0	-Not Req'd	-Not Req'd	-Not Req'd	14	355.3	16.1	409.4	16.4	416.5
H24A383DBF	50	1.5	87.5	39.8	91.5	41.6	-Not Req'd	-Not Req'd	-Not Req'd	14	355.3	16.1	409.4	16.4	416.5
H24A423DBF	50	1.5	87.5	39.8	91.5	41.6	-Not Req'd	-Not Req'd	-Not Req'd	14	355.3	15.8	399.7	16.1	409.4

H23AQ SERIES



Model	@45/130					@45/100		
	Capacity		Motor Input	EER/COP		Capacity	Motor Input	EER
	BTU/H	WATTS		BTU/WH	W/W			

Electrical Data			Displacement	
RLA	LRA	MCC	IN ³ /REV	CM ³ /REV

230/208 VOLTS - 1 Phase

H23A35QABC	34450	10108	3460	10.0	2.9	45011	2910	15.5
H23A38QABC	37750	11077	3780	10.0	2.9	48705	3143	15.5
H23A42QABC	42270	12403	4225	10.0	2.9	54060	3577	15.1
H23A46QABC	46330	13594	4675	9.9	2.9	58774	3974	14.8
H23A50QABC	50700	14876	5050	10.0	2.9	63490	4259	14.9
H23A54QABC	54600	16021	5520	9.9	2.9	68715	4600	14.9
H23A56QABC	54580	16015	5570	9.8	2.9	69258	4826	14.4
H23A62QABC	61600	18075	6360	9.7	2.8	77435	5420	14.3

16.3	87	27.5	3.78	61.92
17.5	97	30.0	4.05	66.34
19.7	110	31.2	4.43	72.56
21.5	118	36.4	4.75	77.81
22.8	138	40.0	5.17	84.68
25.1	138	45.0	5.55	90.91
25.5	142	45.0	5.66	92.71
29.0	178	47.0	6.17	101.06

230/200 VOLTS - 3 Phase

H23A35QDBL	35300	10358	3390	10.4	3.1	45707	2804	16.3
H23A38QDBL	38000	11150	3650	10.4	3.1	49450	3092	16.0
H23A42QDBL	42520	12476	4090	10.4	3.1	54267	3457	15.7
H23A46QDBL	45450	13336	4560	10.0	2.9	57213	3896	14.7
H23A50QDBL	49800	14612	4935	10.1	3.0	63869	4128	15.5
H23A54QDBL	53500	15698	5360	10.0	2.9	68604	4582	15.0
H23A56QDBL	54980	16132	5500	10.0	2.9	69207	4682	14.8
H23A62QDBL	59250	17385	6400	9.3	2.7	74617	5483	13.6

9.8	70	18.0	3.78	61.92
10.7	78	20.0	4.05	66.34
11.7	78	20.0	4.43	72.56
13.0	90	24.0	4.75	77.81
14.3	106	25.0	5.17	84.68
15.4	106	27.0	5.55	90.91
15.8	124	30.0	5.66	92.71
18.0	124	32.0	6.17	101.06

460 VOLTS - 3 Phase

H23A35QDBE	34450	10108	3350	10.3	3.0	45380	2802	16.2
H23A38QDBE	38000	11150	3725	10.2	3.0	49278	3111	15.8
H23A42QDBE	42300	12412	4150	10.2	3.0	53555	3478	15.4
H23A46QDBE	45160	13251	4440	10.2	3.0	57484	3803	15.1
H23A50QDBE	50120	14706	4960	10.1	3.0	62922	4217	14.9
H23A54QDBE	53100	15581	5400	9.8	2.9	67163	4587	14.6
H23A56QDBE	54689	16047	5545	9.9	2.9	69750	4773	14.6
H23A62QDBE	58890	17280	6200	9.5	2.8	73815	5292	13.9

4.9	35	8.3	3.78	61.92
5.2	39	9.5	4.05	66.34
5.8	39	9.5	4.43	72.56
6.4	45	13.0	4.75	77.81
7.1	53	12.5	5.17	84.68
7.7	53	14.0	5.55	90.91
7.7	62	15.0	5.66	92.71
8.7	62	16.0	6.17	101.06

H23AQ SERIES

220/240 VOLTS - 1 Phase

H23A35QABK	28800	8451	3030	9.5	2.8	37778	2421	15.6
H23A38QABK	31200	9155	3105	10.0	2.9	40612	2522	16.1
H23A42QABK	35350	10372	3570	9.9	2.9	45457	2890	15.7
H23A46QABK	38900	11414	3930	9.9	2.9	49023	3174	15.4

14.6	87	27.5	3.78	61.92
14.9	82	28.0	4.05	66.29
17.1	110	31.2	4.43	72.56
19.6	100	33.0	4.75	77.81

220/200 VOLTS - 3 Phase

H23A35QDBL	29590	8682	2870	10.3	3.0	39062	2360	16.6
H23A38QDBL	32640	9577	2870	11.4	3.3	42347	2602	16.3
H23A42QDBL	36066	10583	3510	10.3	3.0	46272	2825	16.4
H23A46QDBL	38000	11150	3870	9.8	2.9	48999	3220	15.2
H23A50QDBL	41590	12203	4155	10.0	2.9	54478	3478	15.7
H23A54QDBL	45380	13315	4540	10.0	2.9	58452	3741	15.6
H23A56QDBL	47470	13929	4765	10.0	2.9	60664	3932	15.4
H23A62QDBL	50000	14671	5210	9.6	2.8	63818	4427	14.4

9.7	76	18.0	3.78	61.92
11.0	82	20.0	4.04	66.18
11.8	82	20.0	4.43	72.56
14.0	90	24.0	4.75	77.81
14.7	106	25.0	5.17	84.68
15.7	106	25.0	5.55	90.91
16.3	124	30.0	5.66	92.71
17.0	124	32.0	6.17	101.06

380/415 VOLTS - 3 Phase

H23A35QDBE	29400	8627	2880	10.2	3.0	45380	2804	16.2
H23A38QDBE	31200	9155	3033	10.3	3.0	40798	2533	16.1
H23A42QDBE	35050	10284	3470	10.1	3.0	45166	2873	15.7
H23A46QDBE	38650	11341	3830	10.1	3.0	49306	3137	15.7
H23A50QDBE	40500	11884	4130	9.8	2.9	52937	3336	15.9
H23A54QDBE	43650	12808	4454	9.8	2.9	56672	3675	15.4
H23A56QDBE	45050	13219	4505	10	2.9	57486	3762	15.3
H23A62QDBE	50000	14671	5210	9.6	2.8	63430	4266	14.9

5.0	35	8.3	3.78	61.92
5.3	39	9.5	4.05	66.29
5.6	39	9.5	4.43	72.56
6.4	45	13.0	4.75	77.81
6.9	53	12.5	5.17	84.68
7.5	53	12.5	5.55	90.91
7.5	62	14.0	5.66	92.71
8.5	62	16.0	6.17	101.06

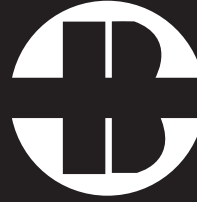
*Data Subject to Revision

Model	Oil Charge		Weight				ELECTRICAL START COMPONENTS			DIMENSIONS					
							Run Capacitor	Start Capacitor	G.E. Relay	*DIAGRAMS FOUND ON PAGE 34					
	OZ	L	Net Lbs	Net Kg	Ship Lbs	Ship Kg	MFD/VOLTS	MFD/VOLTS		A		B		C	
									IN	MM	IN	MM	IN	MM	
H23A35QABC	50	1.5	74.0	33.6	78.5	35.7	35/440	145-175/250	3ARR3*4A*	12.5	317.2	14.6	371.3	14.9	378.4
H23A38QABC	50	1.5	78.0	35.5	82.5	37.5	35/440	145-175/250	3ARR3*4A*	12.5	317.2	14.6	371.3	14.9	378.4
H23A42QABC	50	1.5	78.0	35.5	82.5	37.5	40/440	145-175/250	3ARR3*4A*	12.5	317.2	14.6	371.3	14.9	378.4
H23A46QABC	55	1.6	81.0	36.8	85.5	38.9	40/440	135-155/330	3ARR3*4A*	12.5	317.2	14.6	371.3	14.9	378.4
H23A50QABC	55	1.6	87.5	39.8	92.0	41.8	40/440	135-155/330	3ARR3*4A*	14.0	355.3	16.1	409.4	16.4	416.5
H23A54QABC	55	1.6	87.5	39.8	92.0	41.8	45/440	135-155/330	3ARR3*4A*	14.0	355.3	16.1	409.4	16.4	416.5
H23A56QABC	55	1.6	91.0	41.4	95.5	43.4	55/440	135-155/330	3ARR3*6U*	14.0	355.3	16.1	409.4	16.4	416.5
H23A62QABC	55	1.6	93.0	42.3	97.5	44.3	55/440	135-155/330	3ARR3*4A*	14.0	355.3	16.1	409.4	16.4	416.5
H23A35QDBL	50	1.5	73.0	33.2	77.5	35.2	-Not Req'd	-Not Req'd	-Not Req'd	12.5	317.2	14.6	371.3	14.9	378.4
H23A38QDBL	50	1.5	74.0	33.6	78.5	35.7	-Not Req'd	-Not Req'd	-Not Req'd	12.5	317.2	14.6	371.3	14.9	378.4
H23A42QDBL	50	1.5	74.0	33.6	78.5	35.7	-Not Req'd	-Not Req'd	-Not Req'd	12.5	317.2	14.6	371.3	14.9	378.4
H23A46QDBL	55	1.6	74.0	33.6	78.5	35.7	-Not Req'd	-Not Req'd	-Not Req'd	12.5	317.2	14.6	371.3	14.9	378.4
H23A50QDBL	55	1.6	79.5	36.1	84.0	38.2	-Not Req'd	-Not Req'd	-Not Req'd	14.0	355.3	16.1	409.4	16.4	416.5
H23A54QDBL	55	1.6	79.5	36.1	84.0	38.2	-Not Req'd	-Not Req'd	-Not Req'd	14.0	355.3	16.1	409.4	16.4	416.5
H23A56QDBL	55	1.6	83.0	37.7	87.5	39.8	-Not Req'd	-Not Req'd	-Not Req'd	14.0	355.3	16.1	409.4	16.4	416.5
H23A62QDBL	55	1.6	85.0	38.6	88.0	40.0	-Not Req'd	-Not Req'd	-Not Req'd	14.0	355.3	16.1	409.4	16.4	416.5
H23A35QDBE	50	1.5	74.0	33.6	78.5	35.7	-Not Req'd	-Not Req'd	-Not Req'd	12.5	317.2	14.6	371.3	14.9	378.4
H23A38QDBE	50	1.5	74.0	33.6	78.5	35.7	-Not Req'd	-Not Req'd	-Not Req'd	12.5	317.2	14.6	371.3	14.9	378.4
H23A42QDBE	50	1.5	74.0	33.6	78.5	35.7	-Not Req'd	-Not Req'd	-Not Req'd	12.5	317.2	14.6	371.3	14.9	378.4
H23A46QDBE	55	1.6	74.0	33.6	78.5	35.7	-Not Req'd	-Not Req'd	-Not Req'd	12.5	317.2	14.6	371.3	14.9	378.4
H23A50QDBE	55	1.6	79.5	36.1	84.0	38.2	-Not Req'd	-Not Req'd	-Not Req'd	14.0	355.3	16.1	409.4	16.4	416.5
H23A54QDBE	55	1.6	79.5	36.1	84.0	38.2	-Not Req'd	-Not Req'd	-Not Req'd	14.0	355.3	16.1	409.4	16.4	416.5
H23A56QDBE	55	1.6	83.0	37.7	87.5	39.8	-Not Req'd	-Not Req'd	-Not Req'd	14.0	355.3	16.1	409.4	16.4	416.5
H23A62QDBE	55	1.6	83.0	37.7	87.5	39.8	-Not Req'd	-Not Req'd	-Not Req'd	14.0	355.3	16.1	409.4	16.4	416.5

H23A35QABK	50	1.5	74.0	33.6	78.5	35.7	35/370	145-175/250	3ARR3*25AV*	12.5	317.2	14.6	371.3	14.9	378.4
H23A38QABK	50	1.5	78.0	35.5	82.5	37.5	35/370	145-175/250	3ARR3*4AA*	12.5	317.2	14.6	371.3	14.9	378.4
H23A42QABK	50	1.5	78.0	35.5	82.5	37.5	40/440	145-175/250	3ARR3*27AA*	12.5	317.2	14.6	371.3	14.9	378.4
H23A46QABK	55	1.6	85.0	38.6	89.5	40.7	40/440	135-155/330	3ARR3*4AA*	12.5	317.2	14.6	371.3	14.9	378.4
H23A35QDBL	50	1.5	73.0	33.2	77.5	35.2	-Not Req'd	-Not Req'd	-Not Req'd	12.5	317.2	14.6	371.3	14.9	378.4
H23A38QDBL	50	1.5	74.0	33.6	78.5	35.7	-Not Req'd	-Not Req'd	-Not Req'd	12.5	317.2	14.6	371.3	14.9	378.4
H23A42QDBL	50	1.5	74.0	33.6	78.5	35.7	-Not Req'd	-Not Req'd	-Not Req'd	12.5	317.2	14.6	371.3	14.9	378.4
H23A46QDBL	55	1.6	74.0	33.6	78.5	35.7	-Not Req'd	-Not Req'd	-Not Req'd	12.5	317.2	14.6	371.3	14.9	378.4
H23A50QDBL	55	1.6	79.5	36.1	84.0	38.2	-Not Req'd	-Not Req'd	-Not Req'd	14.0	355.3	16.1	409.4	16.4	416.5
H23A54QDBL	55	1.6	79.5	36.1	84.0	38.2	-Not Req'd	-Not Req'd	-Not Req'd	14.0	355.3	16.1	409.4	16.4	416.5
H23A56QDBL	55	1.6	83.0	37.7	87.5	39.8	-Not Req'd	-Not Req'd	-Not Req'd	14.0	355.3	16.1	409.4	16.4	416.5
H23A62QDBL	55	1.6	83.0	37.7	87.5	39.8	-Not Req'd	-Not Req'd	-Not Req'd	14.0	355.3	16.1	409.4	16.4	416.5
H23A35QDBE	50	1.5	74.0	33.6	78.5	35.7	-Not Req'd	-Not Req'd	-Not Req'd	12.5	317.2	14.6	371.3	14.9	378.4
H23A38QDBE	50	1.5	74.0	33.6	78.5	35.7	-Not Req'd	-Not Req'd	-Not Req'd	12.5	317.2	14.6	371.3	14.9	378.4
H23A42QDBE	50	1.5	74.0	33.6	78.5	35.7	-Not Req'd	-Not Req'd	-Not Req'd	12.5	317.2	14.6	371.3	14.9	378.4
H23A46QDBE	55	1.6	74.0	33.6	78.5	35.7	-Not Req'd	-Not Req'd	-Not Req'd	12.5	317.2	14.6	371.3	14.9	378.4
H23A50QDBE	55	1.6	79.5	36.1	84.0	38.2	-Not Req'd	-Not Req'd	-Not Req'd	14.0	355.3	16.1	409.4	16.4	416.5
H23A54QDBE	55	1.6	79.5	36.1	84.0	38.2	-Not Req'd	-Not Req'd	-Not Req'd	14.0	355.3	16.1	409.4	16.4	416.5
H23A56QDBE	55	1.6	83.0	37.7	87.5	39.8	-Not Req'd	-Not Req'd	-Not Req'd	14.0	355.3	16.1	409.4	16.4	416.5
H23A62QDBE	55	1.6	83.0	37.7	87.5	39.8	-Not Req'd	-Not Req'd	-Not Req'd	14.0	355.3	16.1	409.4	16.4	416.5

H78A SERIES (R407C)

Model	@45/130					@45/100		
	Capacity		Motor Input	EER/COP		Capacity	Motor Input	EER
	BTU/H	WATTS		BTU/WH	W/W			
220/240 - 1 Phase								
H78A423ABK	30600	8979	3070	10.0	2.9	42750	2550	16.8
220/200 VOLTS - 3 Phase								
H78A383DBL	26300	7717	2510	10.5	3.1	37900	2125	17.8
H78A423DBL	31100	9125	2950	10.5	3.1	43100	2400	18.0
H78A543DBL	39850	11693	3800	10.5	3.1	53625	3155	17.0
380/415 VOLTS - 3 Phase								
H78A383DBV	26300	7717	2510	10.5	3.1	37900	2125	17.8
H78A423DBV	31100	9125	2950	10.5	3.1	43100	2400	18.0
H78A473DBV	34252	10050	3280	10.4	3.1	46400	2690	17.2
H78A543DBV	39850	11693	3800	10.5	3.1	53625	3155	17.0
500 VOLTS - 3 Phase								
H78A383DBF	26300	7717	2510	10.5	3.1	37900	2125	17.8
H78A423DBF	31100	9125	2950	10.5	3.1	43100	2400	18.0
H78A543DBF	39850	11693	3800	10.5	3.1	53625	3155	17.0



Electrical Data			Displacement	
RLA	LRA	MCC	IN ³ /REV	CM ³ /REV
15.1	99	27.0	4.51	73.87
10.8	115	20.0	4.02	65.85
11.6	115	20.0	4.51	73.87
13.8	145	25.0	5.50	90.09
5.0	54	11.0	4.02	65.85
5.7	54	10.5	4.51	73.87
6.2	54	11.5	4.93	80.75
7.3	62	13.0	5.50	90.09
4.0	42	8.0	4.02	65.85
4.6	42	9.0	4.51	73.87
5.6	52	10.0	5.50	90.09

*Data Subject to Revision

Model	Oil Charge		Weight				ELECTRICAL START COMPONENTS			DIMENSIONS					
							Run Capacitor	Start Capacitor	G.E. Relay	*DIAGRAMS FOUND ON PAGE 34					
	OZ	L	Lbs	Kg	Lbs	Kg	MFD/VOLTS	MFD/VOLTS		A		B		C	
									IN	MM	IN	MM	IN	MM	
H78A423ABK	50	1.5	83.5	38.0	88.5	40.2	55/370	145-175/250	3ARR3*24P*	14.0	355.3	16.1	409.4	16.4	416.5
H78A383DBL	50	1.5	86.5	39.3	90.5	41.1	-Not Req'd	-Not Req'd	-Not Req'd	14.0	355.3	16.1	409.4	16.4	416.5
H78A423DBL	50	1.5	86.5	39.3	90.5	41.1	-Not Req'd	-Not Req'd	-Not Req'd	14.0	355.3	16.1	409.4	16.4	416.5
H78A543DBL	55	1.6	95.5	43.4	100.5	45.7	-Not Req'd	-Not Req'd	-Not Req'd	14.0	355.3	16.1	409.4	16.4	416.5
H78A383DBV	50	1.5	87.0	39.5	91.0	41.4	-Not Req'd	-Not Req'd	-Not Req'd	14.0	355.3	16.1	409.4	16.4	416.5
H78A423DBV	50	1.5	87.0	39.5	91.0	41.4	-Not Req'd	-Not Req'd	-Not Req'd	14.0	355.3	16.1	409.4	16.4	416.5
H78A473DBV	55	1.6	87.5	39.8	91.5	41.6	-Not Req'd	-Not Req'd	-Not Req'd	14.0	355.3	16.1	409.4	16.4	416.5
H78A543DBV	55	1.6	94.5	43.0	99.5	45.2	-Not Req'd	-Not Req'd	-Not Req'd	14.0	355.3	16.1	409.4	16.4	416.5
H78A383DBF	50	1.5	87.0	39.5	91.0	41.4	-Not Req'd	-Not Req'd	-Not Req'd	14.0	355.3	16.1	409.4	16.4	416.5
H78A423DBF	50	1.5	87.0	39.5	91.0	41.4	-Not Req'd	-Not Req'd	-Not Req'd	14.0	355.3	16.1	409.4	16.4	416.5
H78A543DBF	55	1.6	94.0	42.7	99.0	45.0	-Not Req'd	-Not Req'd	-Not Req'd	14.0	355.3	16.1	409.4	16.4	416.5

H89A SERIES (R410A)

Model	@45/130					@45/100		
	Capacity		Motor Input	EER/COP		Capacity	Motor Input	EER
	BTU/H	WATTS		BTU/WH	W/W			
230/208 VOLTS - 1 Phase								
H89A423CBC	42000	12306	4120	10.2	3.0	61700	3295	18.7
H89A513CBC	51400	15081	4950	10.4	3.1	73400	3850	19.1
H89A543CBC	53400	15668	5100	10.5	3.1	74100	4150	17.9
H89A623CBC	61100	17902	5700	10.7	3.1	83860	4440	18.9

230/200 VOLTS - 3 Phase								
H89A423DBL	43341	12717	4180	10.4	3.0	61591	3247	19.0
H89A583DBL	58380	17130	5480	10.7	3.1	79341	4210	18.8
H89A423DBV	43800	12833	4180	10.5	3.1	61620	3280	18.8

H89A SERIES (R410A)

220/200 VOLTS - 3 Phase								
H89A423DBL	36406	10682	3560	10.2	3.0	51736	2728	19.0
H89A583DBL	47920	14061	4566	10.5	3.1	67377	3557	18.9
380/415 VOLTS - 3 Phase								
H89A723DBV	60529	17760	5717	10.6	3.1	83600	4690	17.8
H89A423DBV	33900	9933	3415	9.9	2.9	49900	2770	18.0



Electrical Data			Displacement	
RLA	LRA	MCC	IN ³ /REV	CM ³ /REV
18.3	105	34	3.52	57.67
23.5	135	40	4.02	65.86
25.0	135	41.5	4.15	67.99
25.3	147	46	4.49	73.51

10.0	130	20	3.52	57.66
15.1	150	25	4.39	71.91
6.0	64	12	3.52	57.67

12.5	138	20	3.52	57.66
15.2	157	25	4.39	71.91

9.6	81	16	5.20	85.22
6.3	58	11.5	3.52	57.67

*Data Subject to Revision

Model	Oil Charge		Weight				ELECTRICAL START COMPONENTS			DIMENSIONS					
							Run Capacitor	Start Capacitor	G.E. Relay	*DIAGRAMS FOUND ON PAGE 35					
	OZ	L	Net Lbs	Kg	Ship Lbs	Kg	MFD/VOLTS	MFD/VOLTS		A		B		C	
									IN	MM	IN	MM	IN	MM	
H89A423CBC	65	1.9	106.5	48.3	110.5	50.1	45/370	270-324/330	3ARR22*3P*	14.0	356.1	16.2	410.6	16.5	417.8
H89A513CBC	65	1.9	112.7	51.3	117.2	53.3	55/370	270-324/330	3ARR22*3N	15.3	387.7	17.4	442.2	17.7	449.3
H89A543CBC	65	1.9	112.7	51.3	117.2	53.3	60/370	270-324/330	3ARR22*3N	15.3	387.7	17.4	442.2	17.7	449.3
H89A623CBC	65	1.9	112.7	51.1	117.2	53.2	60/370	270-324/330	3ARR22*24R*	15.3	387.8	17.4	442.4	17.7	449.5
H89A423DBL	65	1.9	106.5	48.4	110.5	50.2	-Not Req'd	-Not Req'd	-Not Req'd	14.0	356.1	16.2	410.6	16.5	417.8
H89A583DBL	65	1.9	112.5	51.1	116.5	53.0	-Not Req'd	-Not Req'd	-Not Req'd	15.3	387.8	17.4	442.4	17.7	449.5
H89A423DBV	65	1.9	106.5	48.3	110.5	50.1	-Not Req'd	-Not Req'd	-Not Req'd	14.0	356.1	16.2	410.6	16.5	417.8

H89A423DBL	65	1.9	106.5	48.4	110.5	50.2	-Not Req'd	-Not Req'd	-Not Req'd	14.0	356.1	16.2	410.6	16.5	417.8
H89A583DBL	65	1.9	112.5	51.1	116.5	53.0	-Not Req'd	-Not Req'd	-Not Req'd	15.3	387.8	17.4	442.4	17.7	449.5
H89A723DBV	65	1.9	112.7	51.3	116.7	53.1	-Not Req'd	-Not Req'd	-Not Req'd	16.8	426.7	17.4	442.1	17.7	449.3
H89A423DBV	65	1.9	106.5	48.3	110.5	50.1	-Not Req'd	-Not Req'd	-Not Req'd	14.0	356.1	16.2	410.6	16.5	417.8

H89B SERIES (R410A)



Model	@45/130					@45/100		
	Capacity		Motor Input	EER/COP		Capacity	Motor Input	EER
	BTU/H	WATTS		BTU/WH	W/W			
230/208 VOLTS - 1 Phase								
H89B153ABC	14600	4284	1580	9.2	2.7	22000	1300	16.9
H89B163ABC	15900	4665	1670	9.5	2.8	23600	1370	17.2
H89B183ABC	18000	5282	1870	9.6	2.8	26200	1520	17.2
H89B193ABC	18800	5516	1960	9.6	2.8	27400	1600	17.1
H89B223ABC	22100	6485	2280	9.7	2.8	31315	1851	16.9
H89B243ABC	23800	6983	2440	9.8	2.9	33600	1940	17.3
H89B283ABC	28500	8363	2920	9.8	2.9	39200	2290	17.1
H89B303ABC	30600	8979	3080	9.9	2.9	41600	2420	17.2
H89B323ABC	32000	9389	3240	9.9	2.9	43600	2540	17.2
H89B343ABC	34622	10159	3464	10.0	2.9	46538	2701	17.2

230/200 VOLTS - 3 Phase								
H89B183DBL	17850	5237	1880	9.5	2.8	26250	1540	17.0
H89B243DBL	23900	7012	2425	9.9	2.9	33700	1940	17.4
H89B283DBL	28425	8340	2860	9.9	2.9	39150	2250	17.4

265 VOLTS - 1 Phase								
H89B223ABH	22050	6470	2310	9.5	2.8	31670	1840	17.2
H89B283ABH	28620	8398	2940	9.7	2.9	39270	2300	17.1
H89B293ABH	29300	8597	3000	9.8	2.9	40100	2350	17.1
H89B323ABH	32280	9471	3300	9.8	2.9	43850	2615	16.8
H89B343ABH	34400	10094	3450	10.0	2.9	46400	2720	17.1

460/380 VOLTS - 3 Phase								
H89B183DBV	17850	5237	1880	9.5	2.8	26250	1540	17.0
H89B203DBV	20100	5898	2070	9.7	2.9	29100	1680	17.3
H89B243DBV	23900	7012	2425	9.9	2.9	33700	1940	17.4
H89B283DBV	28425	8340	2860	9.9	2.9	39150	2250	17.4
H89B303DBV	30450	8934	3050	10.0	2.9	42250	2420	17.5
H89B343DBV	33750	9903	3415	9.9	2.9	46000	2715	16.9
H89B363DBV	30430	8928	3190	9.5	2.8	41060	2430	16.9

Electrical Data			Displacement	
RLA	LRA	MCC	IN ³ /REV	CM ³ /REV
6.9	48	13.0	1.34	21.95
7.4	48	13.0	1.41	23.10
8.2	48	14.0	1.56	25.55
8.8	55	15.5	1.61	26.37
10.1	60	17.0	1.82	29.81
11.0	66	19.0	1.91	31.29
13.5	83	23.0	2.18	35.71
14.0	93	25.0	2.30	37.67
14.8	93	25.0	2.40	39.31
16.2	105	28.0	2.53	41.44

6.1	58	10.0	1.56	25.47
7.2	58	14.0	1.91	31.29
8.7	78	15.6	2.18	35.71

8.7	58	15.0	1.82	29.81
11.6	79	18.0	2.18	35.71
11.8	79	20.0	2.23	36.53
13.5	87	23.5	2.40	39.37
13.9	88	27.0	2.26	37.02

3.0	30	5.5	1.56	25.47
3.4	30	5.9	1.68	27.55
3.6	30	7.0	1.91	31.29
4.3	40	8.4	2.18	35.71
4.6	40	9.0	2.30	37.63
5.1	40	9.0	2.53	41.45
5.8	42	9.5	2.62	42.92

H81J SERIES (R410A)

Model	@45/130					@45/100		
	Capacity		Motor Input	EER/COP		Capacity	Motor Input	EER
	BTU/H	WATTS		BTU/WH	W/W			
230/208 VOLTS - 1 Phase								
H81J223ABC	21800	6387	2210	9.8	2.9	32200	1770	18.1
H81J283ABC	28400	8321	2750	10.3	3.0	40000	2140	18.7
H81J313ABC	31100	9112	3010	10.3	3.0	43700	2330	18.8
H81J383ABC	38400	11251	3700	10.4	3.0	52600	2820	18.7

230/208 VOLTS - 3 Phase								
H81J283DBL	28300	8292	2750	10.3	3.0	40000	2150	18.6

Electrical Data			Displacement	
RLA	LRA	MCC	IN ³ /REV	CM ³ /REV
9.8	57.0	16.0	1.84	30.21
13.0	74.0	23.0	2.18	35.75
14.1	75.0	24.5	2.37	38.83
17.2	103.0	30.0	2.79	45.78

8.4	75.0	14.2	2.18	35.75
-----	------	------	------	-------

H81J SERIES (R410A)

220/200 VOLTS - 3 Phase								
H81J283DBL	23700	6944	2350	10.1	3.0	33000	1820	18.1

8.6	76.0	13.9	2.18	5.75
-----	------	------	------	------

60 HZ

Model	Oil Charge OZ L		Weight Net Ship Lbs Kg Lbs Kg				ELECTRICAL START COMPONENTS			DIMENSIONS					
							Run Capacitor MFD/VOLTS	Start Capacitor MFD/VOLTS	G.E. Relay	*DIAGRAMS FOUND ON PAGE 91					
										A		B		C	
IN	MM	IN	MM	IN	MM	IN	MM								
H89B153ABC	40	1.2	65.5	29.8	69.0	31.4	30/370	270-324/250	3ARR3*3BA*	11.1	282.7	13.3	338.6	13.6	344.9
H89B163ABC	40	1.2	65.5	29.8	69.0	31.4	30/370	270-324/250	3ARR3*3BA*	11.1	282.7	13.3	338.6	13.6	344.9
H89B183ABC	40	1.2	65.5	29.8	69.0	31.4	30/370	270-324/250	3ARR3*3BA*	11.1	282.7	13.3	338.6	13.6	344.9
H89B193ABC	40	1.2	66.5	30.2	70.0	31.8	30/370	270-324/250	3ARR3*3C*	11.1	282.7	13.3	338.6	13.6	344.9
H89B223ABC	40	1.2	66.5	30.2	70.0	31.8	35/370	270-324/250	3ARR3*3BA*	11.1	282.7	13.3	338.6	13.6	344.9
H89B243ABC	40	1.2	70.5	32.0	74.0	33.6	35/370	270-324/250	3ARR22*3B*	11.6	295.4	13.8	351.3	14.1	357.6
H89B283ABC	40	1.2	70.0	31.8	73.5	33.4	35/440	270-324/250	3ARR3*10C*	11.6	295.4	13.8	351.3	14.1	357.6
H89B303ABC	40	1.2	74.5	33.9	78.0	35.5	45/370	270-324/250	3ARR3*3V*	12.1	308.1	14.3	363.9	14.6	370.3
H89B323ABC	40	1.2	74.5	33.9	78.0	35.5	45/370	270-324/250	3ARR3*3V*	12.1	308.1	14.3	363.9	14.6	370.3
H89B343ABC	40	1.2	76.5	34.8	80.0	36.4	45/370	270-324/250	3ARR22*3V*	12.1	308.1	14.3	363.9	14.6	370.3
H89B183DBL	40	1.2	67.0	30.5	70.0	31.8	-Not Req'd	-Not Req'd	-Not Req'd	11.1	282.6	13.3	338.4	13.6	344.8
H89B243DBL	40	1.2	67.0	30.5	70.0	31.8	-Not Req'd	-Not Req'd	-Not Req'd	11.6	295.3	13.8	351.1	14.1	357.5
H89B283DBL	40	1.2	73.5	33.4	76.5	34.8	-Not Req'd	-Not Req'd	-Not Req'd	11.6	295.3	13.8	351.1	14.1	357.5
H89B223ABH	40	1.2	72.0	32.7	77.1	35.0	30/440	161-193/330	3ARR3*10V*	11.6	295.4	13.8	351.3	14.1	357.6
H89B283ABH	40	1.2	75.5	34.3	80.6	36.6	30/440	189-227/330	3ARR3*10A*	11.6	295.4	13.8	351.3	14.1	357.6
H89B293ABH	40	1.2	75.5	34.3	80.6	36.6	30/440	189-227/330	3ARR3*10A*	11.6	295.4	13.8	351.3	14.1	357.6
H89B323ABH	40	1.2	76.0	34.6	79.0	35.9	35/440	270-324/250	3ARR22*10C*	12.1	308.0	14.3	363.8	14.6	370.1
H89B343ABH	40	1.2	77.5	35.2	82.6	37.5	35/440	270-324/250	3ARR22*10C*	12.1	308.1	14.3	363.9	14.6	370.3
H89B183DBV	40	1.2	67.0	30.5	70.0	31.8	-Not Req'd	-Not Req'd	-Not Req'd	11.1	282.6	13.3	338.4	13.6	344.8
H89B203DBV	40	1.2	67.0	30.5	70.0	31.8	-Not Req'd	-Not Req'd	-Not Req'd	11.1	282.6	13.3	338.4	13.6	344.8
H89B243DBV	40	1.2	67.0	30.5	70.0	31.8	-Not Req'd	-Not Req'd	-Not Req'd	11.6	295.3	13.8	351.1	14.1	357.5
H89B283DBV	40	1.2	73.5	33.4	76.5	34.8	-Not Req'd	-Not Req'd	-Not Req'd	11.6	295.3	13.8	351.1	14.1	357.5
H89B303DBV	40	1.2	73.5	33.4	76.5	34.8	-Not Req'd	-Not Req'd	-Not Req'd	12.1	308.0	14.3	363.8	14.6	370.1
H89B343DBV	40	1.2	73.5	33.4	76.5	34.8	-Not Req'd	-Not Req'd	-Not Req'd	12.1	308.0	14.3	363.8	14.6	370.1
H89B363DBV	40	1.2	73.5	33.4	76.5	34.8	-Not Req'd	-Not Req'd	-Not Req'd	12.1	308.0	14.3	363.8	14.6	370.1

60 HZ

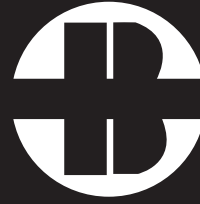
Model	Oil Charge OZ L		Weight Net Ship Lbs Kg Lbs Kg				ELECTRICAL START COMPONENTS			DIMENSIONS					
							Run Capacitor MFD/VOLTS	Start Capacitor MFD/VOLTS	G.E. Relay	A		B		C	
										IN	MM	IN	MM	IN	MM
H81J223ABC	40	1	85.0	38.6	88.0	40.0	30/370	145-175/330	GE3ARR3*3T*	13.78	350.01	15.38	390.53	15.67	398.02
H81J283ABC	40	1	86.5	39.3	89.5	40.7	40/370	189-227/250	GE3ARR3*3L*	13.78	350.01	15.38	390.53	15.67	398.02
H81J313ABC	40	1	86.5	39.3	89.5	40.7	40/370	243-292/250	GE3ARR3*3S*	13.78	350.01	15.38	390.53	15.67	398.02
H81J383ABC	40	1	89.0	40.5	92.0	41.8	55/370	243-292/250	GE3ARR3*3N*	14.03	356.36	15.63	396.88	15.92	404.37
H81J283DBL	40	1	84.5	38.4	87.5	39.8	NA	NA	NA	13.78	350.01	15.38	390.53	15.67	398.02

50 HZ

H81J283DBL	40	1	84.5	38.4	87.5	39.8	NA	NA	NA	13.78	350.01	15.38	390.53	15.67	398.02
------------	----	---	------	------	------	------	----	----	----	-------	--------	-------	--------	-------	--------

H89B SERIES (R410A)

Model	@45/130					@45/100		
	Capacity		Motor Input		EER/COP	Capacity		Motor Input
	BTU/H	WATTS	WATTS	BTU/WH		W/W	BTU/H	WATTS
								BTU/WH
220/200 VOLTS - 3 Phase								
H89B183DBL	14900	4372	1610	9.3	2.7	22100	1310	16.9
H89B243DBL	20675	6066	2225	9.3	2.7	29300	1715	17.1
H89B283DBL	24650	7233	2590	9.5	2.8	33900	1985	17.1
220/240 VOLTS - 1 Phase								
H89B223ABH	18570	5449	1970	9.4	2.8	26540	1530	17.3
H89B323ABH	27300	8010	2880	9.5	2.8	37375	2210	16.9
H89B343ABH	29100	8538	3040	9.6	2.8	39500	2310	17.1
380/415 VOLTS - 3 Phase								
H89B183DBV	14900	4372	1610	9.3	2.7	22100	1310	16.9
H89B203DBV	16800	4929	1775	9.5	2.8	24425	1385	17.6
H89B243DBV	20675	6066	2225	9.3	2.7	29300	1715	17.1
H89B283DBV	24650	7233	2590	9.5	2.8	33900	1985	17.1
H89B303DBV	26300	7717	2760	9.5	2.8	35800	2100	17.0
H89B343DBV	29125	8546	3070	9.5	2.8	39850	2350	17.0
H89B363DBV	30430	8928	3190	9.5	2.8	41060	2430	16.9

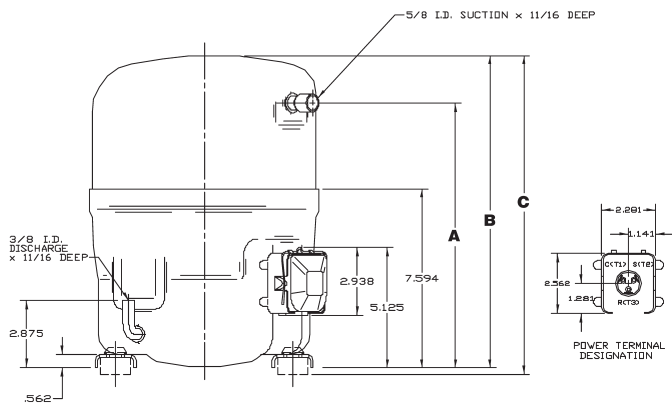


Electrical Data			Displacement	
RLA	LRA	MCC	IN ³ /REV	CM ³ /REV
6.5	60	11.0	1.56	25.47
7.7	60	13.0	1.91	31.29
9.7	82	16.0	2.18	35.71
9.1	58	15.0	1.82	29.81
13.9	85	23.5	2.40	39.37
15.1	85	25.5	2.53	41.45
6.5	60	11.0	1.56	25.47
3.3	31	5.7	1.68	27.55
3.8	31	6.5	1.91	31.29
4.3	42	8.0	2.18	35.71
4.7	42	8.4	2.30	37.63
5.4	42	9.5	2.53	41.45
5.8	42	9.5	2.62	42.92

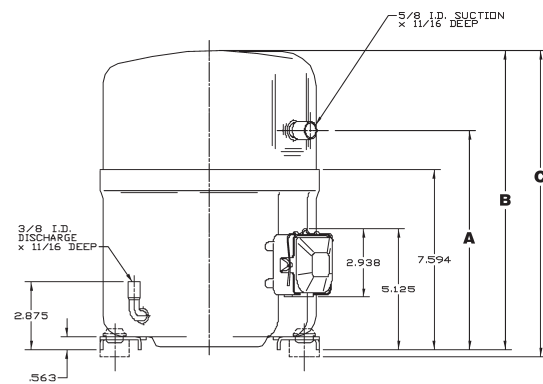
*Data Subject to Revision

B FAMILY

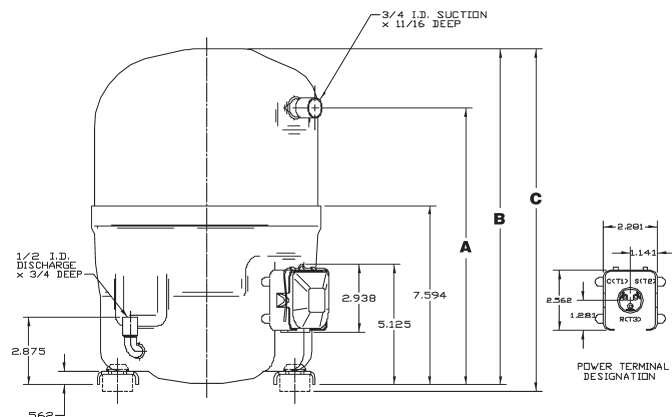
Diagrams



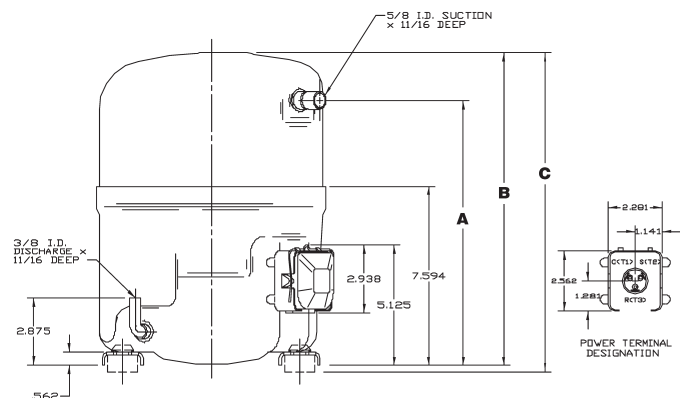
H23 & H73B



H24B



H25B, H26B, H27B

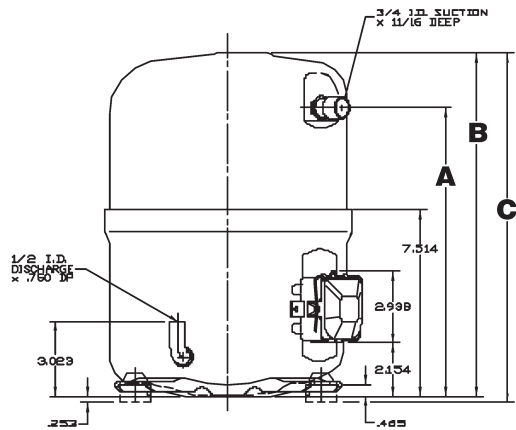


H29B & H79B

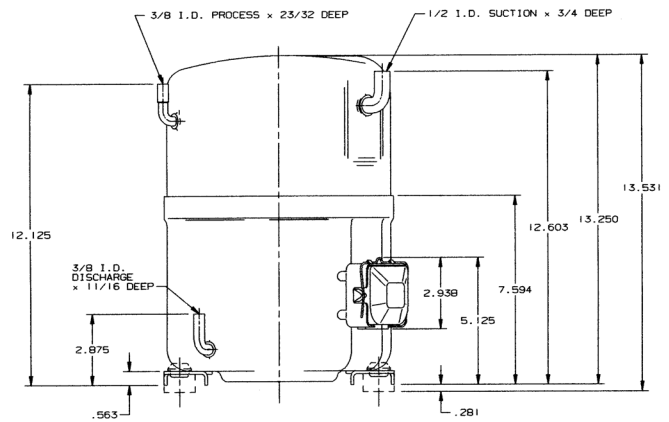
Model	Oil Charge		Weight				ELECTRICAL START COMPONENTS			DIMENSIONS					
							Run Capacitor	Start Capacitor	G.E. Relay	*DIAGRAMS FOUND ON PAGE 91					
	OZ	L	Lbs	Net Kg	Ship Lbs	Kg	MFD/VOLTS	MFD/VOLTS		A		B		C	
									IN	MM	IN	MM	IN	MM	
H89B183DBL	40	1.2	67.0	30.5	70.0	31.8	-Not Req'd	-Not Req'd	-Not Req'd	11.1	282.6	13.3	338.4	13.6	344.8
H89B243DBL	40	1.2	67.0	30.5	70.0	31.8	-Not Req'd	-Not Req'd	-Not Req'd	11.6	295.3	13.8	351.1	14.1	357.5
H89B283DBL	40	1.2	73.5	33.4	76.5	34.8	-Not Req'd	-Not Req'd	-Not Req'd	11.6	295.3	13.8	351.1	14.1	357.5
H89B223ABH	40	1.2	72.0	32.7	77.1	35.0	40/370	161-193/250	3ARR3*10AS*	11.6	295.4	13.8	351.3	14.1	357.6
H89B323ABH	40	1.2	76.0	34.6	79.0	35.9	45/370	270-324/250	3ARR3*10AU*	12.1	308.0	14.3	363.8	14.6	370.1
H89B343ABH	40	1.2	77.5	35.3	82.6	37.6	45/370	270-324/250	3ARR3*10AU*	12.1	308.0	14.3	363.8	14.6	370.1
H89B183DBV	40	1.2	67.0	30.5	70.0	31.8	-Not Req'd	-Not Req'd	-Not Req'd	11.1	282.6	13.3	338.4	13.6	344.8
H89B203DBV	40	1.2	67.0	30.5	70.0	31.8	-Not Req'd	-Not Req'd	-Not Req'd	11.1	282.6	13.3	338.4	13.6	344.8
H89B243DBV	40	1.2	67.0	30.5	70.0	31.8	-Not Req'd	-Not Req'd	-Not Req'd	11.6	295.3	13.8	351.1	14.1	357.5
H89B283DBV	40	1.2	73.5	33.4	76.5	34.8	-Not Req'd	-Not Req'd	-Not Req'd	11.6	295.3	13.8	351.1	14.1	357.5
H89B303DBV	40	1.2	73.5	33.4	76.5	34.8	-Not Req'd	-Not Req'd	-Not Req'd	12.1	308.0	14.3	363.8	14.6	370.1
H89B343DBV	40	1.2	73.5	33.4	76.5	34.8	-Not Req'd	-Not Req'd	-Not Req'd	12.1	308.0	14.3	363.8	14.6	370.1
H89B363DBV	40	1.2	73.5	33.4	76.5	34.8	-Not Req'd	-Not Req'd	-Not Req'd	12.1	308.0	14.3	363.8	14.6	370.1

B FAMILY

Diagrams



H89B



H2EB

H28A SERIES



Model	@45/130					@45/100		
	Capacity		Motor Input	EER/COP		Capacity	Motor Input	EER
	BTU/H	WATTS		BTU/WH	W/W			
230/208 VOLTS - 1 Phase								
H28A383ABC	38000	11150	3512	10.8	3.2	49950	2868	17.4
H28A423ABC	43350	12720	4015	10.8	3.2	56200	3305	17.0
H28A583CBC	57000	16701	5300	10.7	3.2	72350	4440	16.3

230/200 VOLTS - 3 Phase								
H28A383DBL	38650	11341	3430	11.3	3.3	50125	2750	18.2
H28A423DBL	44000	12911	3925	11.2	3.3	57115	3160	18.1
H28A503DBL	49500	14524	4420	11.2	3.3	63790	3670	17.4
H28A543DBL	53500	15698	4860	11.0	3.2	68000	3950	17.2
H28A583DBL	57500	16847	5310	10.8	3.2	73030	4360	16.8

460/380 VOLTS - 3 Phase								
H28A383DBV	38650	11341	3430	11.3	3.3	50125	2750	18.2
H28A423DBV	44000	12911	3925	11.2	3.3	57115	3160	18.1
H28A473DBV	47600	13967	4345	11.0	3.2	61600	3580	17.2
H28A503DBV	49500	14524	4420	11.2	3.3	63790	3670	17.4
H28A543DBV	53500	15698	4860	11.0	3.2	68000	3950	17.2
H28A583DBE	57500	16847	5310	10.8	3.2	73030	4360	16.8

575 VOLTS - 3 Phase								
H28A383DBF	38650	11341	3430	11.3	3.3	50125	2750	18.2
H28A423DBF	44000	12911	3925	11.2	3.3	57115	3160	18.1
H28A503DBF	49500	14524	4420	11.2	3.3	63790	3670	17.4
H28A543DBF	53500	15698	4860	11.0	3.2	68000	3950	17.2
H28A583DBF	57500	16847	5310	10.8	3.2	73030	4360	16.8

Electrical Data			Displacement	
RLA	LRA	MCC	IN ³ /REV	CM ³ /REV

17.2	118	28.0	4.02	65.85
18.4	118	30.0	4.51	73.87
25.0	147	45.0	5.81	95.13

10.4	110	20.0	4.02	65.85
11.6	110	21.0	4.51	73.87
12.9	137	25.0	5.14	84.19
13.9	137	25.0	5.50	90.09
15.0	114	25.0	5.81	95.13

5.0	54	11.0	4.02	65.85
5.8	54	11.0	4.51	73.87
6.2	54	12.0	4.93	80.75
6.6	69	13.0	5.14	84.19
7.1	69	13.0	5.50	90.09
7.7	64	11.5	5.80	95.13

4.1	44	8.0	4.02	65.85
4.6	44	8.5	4.51	73.87
5.4	58	10.0	5.14	84.19
5.7	58	10.0	5.50	90.09
6.0	52	9.6	5.81	95.13

H28A SERIES

220/240 VOLTS - 1 Phase

H28A383ABK	31000	9096	2870	10.8	3.2	40850	2300	17.8
H28A423ABK	37000	10857	3415	10.8	3.2	47450	2695	17.6
H28A473ABK	40000	11737	3635	11.0	3.2	51140	2865	17.8

15.1	99	24.0	4.02	65.85
16.8	99	27.0	4.51	73.87
17.0	115	30.0	4.93	80.75

220/200 VOLTS - 3 Phase

H28A383DBL	31400	9213	2800	11.2	3.3	41600	2235	18.6
H28A423DBL	36925	10835	3300	11.2	3.3	47600	2640	18.0
H28A503DBL	43000	12617	3805	11.3	3.3	54310	3000	18.1
H28A543DBL	47000	13791	4160	11.3	3.3	59345	3280	18.1
H28A583DBL	48800	14298	4390	11.1	3.3	61850	3495	17.7

10.8	115	20.0	4.02	65.85
11.6	115	20.0	4.51	73.87
13.2	145	25.0	5.14	84.19
13.8	145	25.0	5.50	90.09
14.2	126	23.0	5.81	95.13

380/415 VOLTS - 3 Phase

H28A383DBV	31400	9213	2800	11.2	3.3	41600	2235	18.6
H28A423DBV	36925	10835	3300	11.2	3.3	47600	2640	18.0
H28A503DBV	43000	12617	3805	11.3	3.3	54310	3000	18.1
H28A543DBV	47000	13791	4160	11.3	3.3	59345	3280	18.1
H28A583DBE	48800	14298	4390	11.1	3.3	61850	3495	17.7

5.0	54	11.0	4.02	65.85
5.7	54	10.5	4.51	73.87
6.7	62	13.0	5.14	84.19
7.3	62	13.0	5.50	90.09
7.9	58	12.0	5.81	95.13

500 VOLTS - 3 Phase

H28A383DBF	31400	9213	2800	11.2	3.3	41600	2235	18.6
H28A423DBF	36925	10835	3300	11.2	3.3	47600	2640	18.0
H28A503DBF	43000	12617	3805	11.3	3.3	54310	3000	18.1
H28A543DBF	47000	13791	4160	11.3	3.3	59345	3280	18.1
H28A583DBF	48800	14298	4390	11.1	3.3	61850	3495	17.7

4.0	42	8.0	4.02	65.85
4.6	42	9.0	4.51	73.87
5.4	52	10.0	5.14	84.19
5.6	52	10.0	5.50	90.09
5.2	52	10.0	5.81	95.13

60 HZ

Model	Oil Charge		Weight				ELECTRICAL START COMPONENTS			DIMENSIONS					
							Run Capacitor	Start Capacitor	G.E. Relay	*DIAGRAMS FOUND ON PAGE 34					
	OZ	L	Net Lbs	Net Kg	Ship Lbs	Ship Kg	MFD/VOLTS	MFD/VOLTS		A		B		C	
									IN	MM	IN	MM	IN	MM	
H28A383ABC	50	1.5	83.5	38.0	88.5	40.2	50/370	145-175/250	3ARR3*3P*	14	355.3	16.1	409.4	16.4	416.5
H28A423ABC	50	1.5	83.5	38.0	88.5	40.2	60/370	145-175/250	3ARR3*3P*	14	355.3	16.1	409.4	16.4	416.5
H28A583CBC	55	1.6	93.0	42.2	97.5	44.2	60/370	270-324/330	3ARR22*24R*	15.6	395.3	16.1	409.6	16.4	416.7
H28A383DBL	50	1.5	86.5	39.3	90.5	41.1	-Not Req'd	-Not Req'd	-Not Req'd	14	355.3	16.1	409.4	16.4	416.5
H28A423DBL	50	1.5	86.5	39.3	90.5	41.1	-Not Req'd	-Not Req'd	-Not Req'd	14	355.3	16.1	409.4	16.4	416.5
H28A503DBL	55	1.6	95.0	43.2	100.0	45.5	-Not Req'd	-Not Req'd	-Not Req'd	14	355.3	16.1	409.4	16.4	416.5
H28A543DBL	55	1.6	95.5	43.4	100.5	45.7	-Not Req'd	-Not Req'd	-Not Req'd	14	355.3	16.1	409.4	16.4	416.5
H28A583DBL	55	1.6	87.5	39.7	92.5	42.0	-Not Req'd	-Not Req'd	-Not Req'd	15.6	395.3	16.1	409.6	16.4	416.7
H28A383DBV	50	1.5	87.0	39.5	91.0	41.4	-Not Req'd	-Not Req'd	-Not Req'd	14	355.3	16.1	409.4	16.4	416.5
H28A423DBV	50	1.5	87.0	39.5	91.0	41.4	-Not Req'd	-Not Req'd	-Not Req'd	14	355.3	16.1	409.4	16.4	416.5
H28A473DBV	55	1.6	87.5	39.8	91.5	41.6	-Not Req'd	-Not Req'd	-Not Req'd	14	355.3	16.1	409.4	16.4	416.5
H28A503DBV	55	1.6	94.0	42.7	99.0	45.0	-Not Req'd	-Not Req'd	-Not Req'd	14	355.3	16.1	409.4	16.4	416.5
H28A543DBV	55	1.6	94.5	43.0	99.5	45.2	-Not Req'd	-Not Req'd	-Not Req'd	14	355.3	16.1	409.4	16.4	416.5
H28A583DBE	55	1.6	87.5	39.7	92.5	42.0	-Not Req'd	-Not Req'd	-Not Req'd	15.6	395.3	16.1	409.6	16.4	416.7
H28A383DBF	50	1.5	87.0	39.5	91.0	41.4	-Not Req'd	-Not Req'd	-Not Req'd	14	355.3	16.1	409.4	16.4	416.5
H28A423DBF	50	1.5	87.0	39.5	91.0	41.4	-Not Req'd	-Not Req'd	-Not Req'd	14	355.3	16.1	409.4	16.4	416.5
H28A503DBF	55	1.6	93.5	42.5	98.5	44.8	-Not Req'd	-Not Req'd	-Not Req'd	14	355.3	16.1	409.4	16.4	416.5
H28A543DBF	55	1.6	94.0	42.7	99.0	45.0	-Not Req'd	-Not Req'd	-Not Req'd	14	355.3	16.1	409.4	16.4	416.5
H28A583DBF	55	1.6	87.5	39.7	92.5	42.0	-Not Req'd	-Not Req'd	-Not Req'd	15.6	395.3	16.1	409.6	16.4	416.7

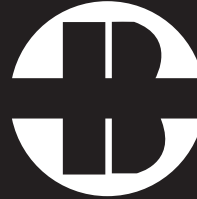
50 HZ

H28A383ABK	50	1.5	83.5	38.0	88.5	40.2	50/370	145-175/250	3ARR3*24P*	14	355.3	16.1	409.4	16.4	416.5
H28A423ABK	50	1.5	83.5	38.0	88.5	40.2	55/370	145-175/250	3ARR3*24P*	14	355.3	16.1	409.4	16.4	416.5
H28A473ABK	55	1.6	95.0	43.2	100.0	45.5	65/440	161-193/250	3ARR3*6AS	14	355.3	16.1	409.4	16.4	416.5
H28A383DBL	50	1.5	86.5	39.3	90.5	41.1	-Not Req'd	-Not Req'd	-Not Req'd	14	355.3	16.1	409.4	16.4	416.5
H28A423DBL	50	1.5	86.5	39.3	90.5	41.1	-Not Req'd	-Not Req'd	-Not Req'd	14	355.3	16.1	409.4	16.4	416.5
H28A503DBL	55	1.6	95.0	43.2	100.0	45.5	-Not Req'd	-Not Req'd	-Not Req'd	14	355.3	16.1	409.4	16.4	416.5
H28A543DBL	55	1.6	95.5	43.4	100.5	45.7	-Not Req'd	-Not Req'd	-Not Req'd	14	355.3	16.1	409.4	16.4	416.5
H28A583DBL	55	1.6	87.5	39.7	92.5	42.0	-Not Req'd	-Not Req'd	-Not Req'd	15.6	395.3	16.1	409.6	16.4	416.7
H28A383DBV	50	1.5	87.0	39.5	91.0	41.4	-Not Req'd	-Not Req'd	-Not Req'd	14	355.3	16.1	409.4	16.4	416.5
H28A423DBV	50	1.5	87.0	39.5	91.0	41.4	-Not Req'd	-Not Req'd	-Not Req'd	14	355.3	16.1	409.4	16.4	416.5
H28A503DBV	55	1.6	94.0	42.7	99.0	45.0	-Not Req'd	-Not Req'd	-Not Req'd	14	355.3	16.1	409.4	16.4	416.5
H28A543DBV	55	1.6	94.5	43.0	99.5	45.2	-Not Req'd	-Not Req'd	-Not Req'd	14	355.3	16.1	409.4	16.4	416.5
H28A583DBV	55	1.6	87.5	39.7	92.5	42.0	-Not Req'd	-Not Req'd	-Not Req'd	15.6	395.3	16.1	409.6	16.4	416.7
H28A383DBF	50	1.5	87.0	39.5	91.0	41.4	-Not Req'd	-Not Req'd	-Not Req'd	14	355.3	16.1	409.4	16.4	416.5
H28A423DBF	50	1.5	87.0	39.5	91.0	41.4	-Not Req'd	-Not Req'd	-Not Req'd	14	355.3	16.1	409.4	16.4	416.5
H28A503DBF	55	1.6	93.5	42.5	98.5	44.8	-Not Req'd	-Not Req'd	-Not Req'd	14	355.3	16.1	409.4	16.4	416.5
H28A543DBF	55	1.6	94.0	42.7	99.0	45.0	-Not Req'd	-Not Req'd	-Not Req'd	14	355.3	16.1	409.4	16.4	416.5
H28A583DBF	55	1.6	87.5	39.7	92.5	42.0	-Not Req'd	-Not Req'd	-Not Req'd	15.6	395.3	16.1	409.6	16.4	416.7



T27B SERIES

Model	@45/130					@45/100		
	Capacity		Motor Input	EER/COP		Capacity	Motor Input	EER
	BTU/H	WATTS		BTU/WH	W/W			
230/208 VOLTS - 1 Phase								
T27B224CBC-1	8900	2611	890	10	2.9	11684	728	16.0
T27B224CBC-2	20700	6074	1900	10.9	3.2	27028	1533	17.6
T27B264CBC-1	10630	3119	1030	10.3	3.0	13708	838	16.4
T27B264CBC-2	24730	7256	2210	11.2	3.3	32100	1800	17.8
T27B284CBC-1	11600	3404	1130	10.3	3.0	14847	911	16.3
T27B284CBC-2	27500	8069	2500	11.0	3.2	35206	1986	17.7
T27B324CBC-1	14700	4313	1400	10.5	3.1	18355	1117	16.4
T27B324CBC-2	30600	8979	2785	11.0	3.2	38820	2231	17.4
T27B355CBC-1	17800	5223	1690	10.5	3.1	22059	1350	16.3
T27B355CBC-2	33600	9859	3035	11.1	3.2	42032	2435	17.3



Electrical Data			Displacement	
RLA	LRA	MCC	IN ³ /REV	CM ³ /REV
3.9	33	8.0	0.95	15.56
8.5	64	16.0	2.23	36.53
4.8	41	9.5	0.93	15.23
9.9	65	17.5	2.18	35.71
5.2	41	9.0	1.16	19.00
11.2	65	18.0	2.81	46.03
8.5	48	10.6	1.41	23.10
12.5	84	21.0	3.06	50.12
7.5	48	11.0	1.67	27.35
13.2	84	22.0	3.32	54.38



T26A SERIES

230/208 VOLTS - 1 Phase								
T26A464BBC-1	17707	5196	1712	10.3	3.0	22990	1384	16.6
T26A464BBC-2	44804	13146	4079	11.0	3.2	57723	3306	17.5
T26A564BBC-1	27000	7922	2540	10.6	3.1	34425	2011	17.1
T26A564BBC-2	56500	16578	5250	10.8	3.2	71400	4200	17.0

7.0	88	14.0	1.85	30.30
17.8	130	33.0	4.58	75.02
11.3	80	21.0	2.63	43.08
23.2	142	43.0	5.60	91.73



T28A SERIES

220/240 VOLTS - 1 Phase								
T28A425CBK-1	19500	5721	1850	10.5	3.1	24800	1,450	17.1
T28A425CBK-2	37400	10974	3400	11.0	3.2	48400	2,650	18.3
380/415 VOLTS - 3 Phase								
T28A505DBZ-1	21400	6279	2050	10.4	3.1	27500	1650	16.7
T28A505DBZ-2	40300	11824	3870	10.4	3.1	52300	3050	17.1
T28A545DBZ-1	23600	6924	2300	10.3	3.0	30200	1850	16.3
T28A545DBZ-2	43600	12793	4300	10.1	3.0	56300	3350	16.8

9.0	75	14.0	2.30	37.68
16.6	105	28.0	2.30	37.68
4.0	39	9.5	2.57	42.10
6.5	39	11.0	2.57	42.10
4.3	39	9.0	2.80	45.87
7.2	39	11.2	2.80	45.87



T29A SERIES

230/208 VOLTS - 1 Phase								
T29A464BBC-1	18850	5531	1800	10.5	3.1	24738	1462	16.9
T29A464BBC-2	47100	13820	4150	11.3	3.3	60500	3400	17.8
T29A544BBC-1	20000	5868	1900	10.5	3.1	26389	1592	16.6
T29A544BBC-2	53700	15757	4890	11.0	3.2	69648	4041	17.2

8.0	88	18.0	1.97	32.27
18.6	130	37.0	4.88	79.93
8.5	80	19.0	2.12	34.73
22.1	142	41.0	5.54	90.75

1=One Cylinder, 2=Two Cylinder *Data Subject to Revision

60 HZ

Model	Oil Charge		Weight				ELECTRICAL START COMPONENTS			DIMENSIONS					
							Run Capacitor	Start Capacitor	Kickstart	*DIAGRAMS FOUND ON PAGE 96					
	OZ	L	Lbs	Kg	Lbs	Kg	MFD/VOLTS	MFD/VOLTS	Part No.	A		B		C	
									IN	MM	IN	MM	IN	MM	
T27B224CBC-1	35	1.0	71	32.3	74.5	33.9	30/440	216-259/330	KSTS216	12.5	317.0	15	380.7	15.3	387.8
T27B224CBC-2	35	1.0	71	32.3	7.5	3.4	30/440	216-259/330	KSTS216	12.5	317.0	15	380.7	15.3	387.8
T27B264CBC-1	35	1.0	71	32.3	74.5	33.9	45/440	216-259/330	KSTS216	12.5	317.0	15	380.7	15.3	387.8
T27B264CBC-2	35	1.0	71	32.3	74.5	33.9	45/440	216-259/330	KSTS216	12.5	317.0	15	380.7	15.3	387.8
T27B284CBC-1	35	1.0	71	32.3	74.5	33.9	45/440	216-259/330	KSTS216	12.5	317.0	15	380.7	15.3	387.8
T27B284CBC-2	35	1.0	71	32.3	74.5	33.9	45/440	216-259/330	KSTS216	12.5	317.0	15	380.7	15.3	387.8
T27B324CBC-1	35	1.0	71	32.3	74.5	33.9	50/440	243-292/330	KSTS243	12.5	317.0	15	380.7	15.3	387.8
T27B324CBC-2	35	1.0	71	32.3	74.5	33.9	50/440	243-292/330	KSTS243	12.5	317.0	15	380.7	15.3	387.8
T27B355CBC-1	35	1.0	71	32.3	74.5	33.9	50/440	243-292/330	KSTS243	12.5	317.0	15	380.7	15.3	387.8
T27B355CBC-2	35	1.0	71	32.3	74.5	33.9	50/440	243-292/330	KSTS243	12.5	317.0	15	380.7	15.3	387.8

60 HZ

T26A464BBC-1	65	1.9	106	48.2	110.0	50	55/370	324-356/330	KSTS324	15.2	387.0	17.4	441.0	17.7	448.9
T26A464BBC-2	65	1.9	106	48.2	110.0	50	55/370	324-356/330	KSTS324	15.2	387.0	17.4	441.0	17.7	448.9
T26A564BBC-1	65	1.9	106	48.2	110.0	50	55/370	324-356/330	KSTS324	15.2	387.0	17.4	441.1	17.7	449.0
T26A564BBC-2	65	1.9	106	48.2	110.0	50	55/370	324-356/330	KSTS324	15.2	387.0	17.4	441.1	17.7	449.0

50 HZ

T28A425CBK-1	55	1.6	90.0	40.9	94.5	43.0	55/370	324/440	KSTS324	12.5	317.1	14.3	361.5	14.9	378.0
T28A425CBK-2	55	1.6	90.0	40.9	94.5	43.0	55/370	324/440	KSTS324	12.5	317.1	14.3	361.5	14.9	378.0
T28A505DBZ-1	55	1.6	74.0	33.7	77.0	35.0	Not Req'd	Not Req'd	Not Req'd	12.5	317.1	14.3	361.5	14.9	378.0
T28A505DBZ-2	55	1.6	74.0	33.7	77.0	35.0	Not Req'd	Not Req'd	Not Req'd	12.5	317.1	14.3	361.5	14.9	378.0
T28A545DBZ-1	55	1.6	74.0	33.7	77.0	35.0	Not Req'd	Not Req'd	Not Req'd	12.5	317.1	14.3	361.5	14.9	378.0
T28A545DBZ-2	55	1.6	74.0	33.7	77.0	35.0	Not Req'd	Not Req'd	Not Req'd	12.5	317.1	14.3	361.5	14.9	378.0

60 HZ

T29A464BBC-1	65	1.9	106	48.2	110.0	50	55/370	324-356/330	KSTS324	15.2	387.0	17.4	441.1	17.7	449.0
T29A464BBC-2	65	1.9	106	48.2	110.0	50	55/370	324-356/330	KSTS324	15.2	387.0	17.4	441.1	17.7	449.0
T29A544BBC-1	65	1.9	106	48.2	110.0	50	55/370	324-356/330	KSTS324	15.2	387.0	17.4	441.1	17.7	449.0
T29A544BBC-2	65	1.9	106	48.2	110.0	50	55/370	324-356/330	KSTS324	15.2	387.0	17.4	441.1	17.7	449.0



T89A SERIES (R410A)

Model	@45/130					@45/100		
	Capacity		Motor Input	EER/COP		Capacity	Motor Input	EER
	BTU/H	WATTS		BTU/WH	W/W			
230/208 VOLTS - 1 Phase								
T89A424BBC-1	17100	5018	1850	9.2	2.7	25647	1558	16.5
T89A424BBC-2	42100	12353	4100	10.3	3.0	59275	3568	16.6
T89A514BBC-1	19200	5634	2000	9.6	2.8	27465	1657	16.6
T89A514BBC-2	51900	15229	5050	10.3	3.0	70745	3848	18.4



Electrical Data			Displacement	
RLA	LRA	MCC	IN ³ /REV	CM ³ /REV
8.1	88	18.0	1.49	24.41
17.9	130	39.0	3.46	56.67
9.2	88	21.0	1.60	26.21
23.5	130	41.0	4.12	67.49

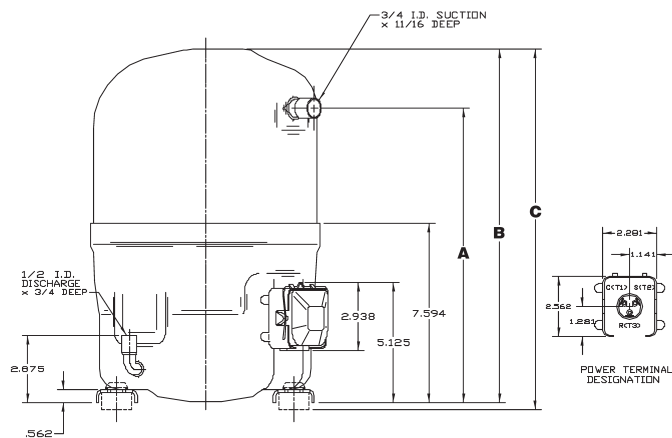


T81J SERIES

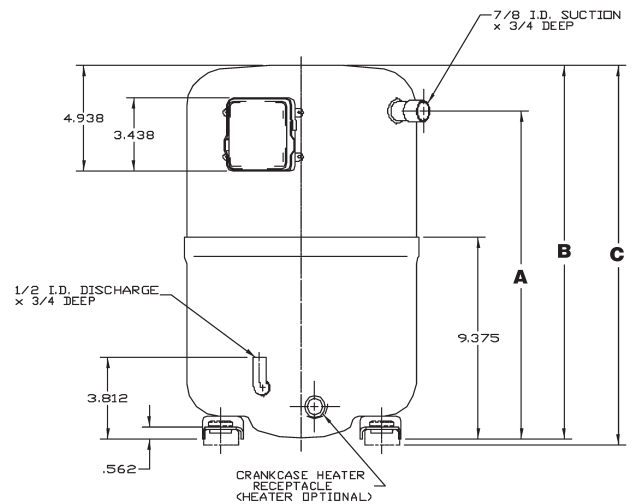
Model	@45/130					@50/100		
	Capacity		Motor Input	EER/COP		Capacity	Motor Input	EER
	BTU/H	WATTS		BTU/WH	W/W			
230/208 VOLTS - 1 Phase								
T81J195CBC-1	9900	2901	1130	8.7	2.5	16400	920	17.9
T81J195CBC-2	19000	5567	2020	9.4	2.8	28600	1630	17.5
T81J285CBC-1	14200	4160	1510	9.4	2.8	22700	1200	19.0
T81J285CBC-2	27400	8028	2760	9.9	2.9	39200	2170	18.0
T81J384CBC-1	16500	4834	1730	9.6	2.8	25900	1360	18.9
T81J384CBC-2	38500	11280	3900	9.9	2.9	53200	3030	17.5

Electrical Data			Displacement	
RLA	LRA	MCC	IN ³ /REV	CM ³ /REV
5.1	30.0	8.0	0.86	14.03
8.8	65.0	16.0	1.72	28.21
6.7	39.0	10.0	1.12	18.34
12.0	72.0	20.0	2.25	36.83
7.5	45.0	13.0	1.25	20.42
17.7	105.0	29.0	2.93	48.01

1=One Cylinder, 2=Two Cylinder *Data Subject to Revision



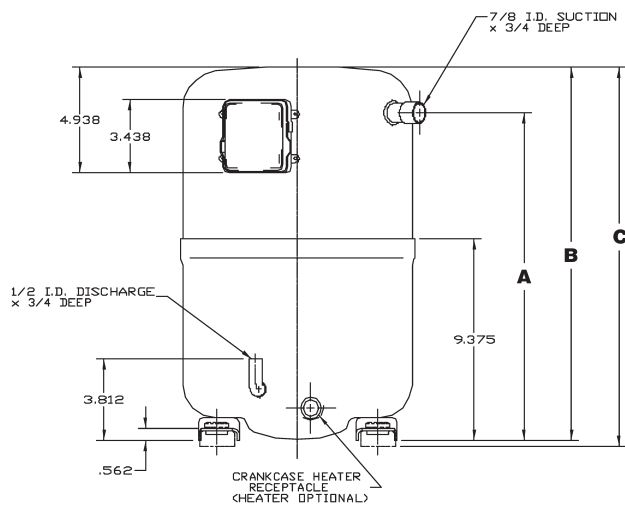
T27B



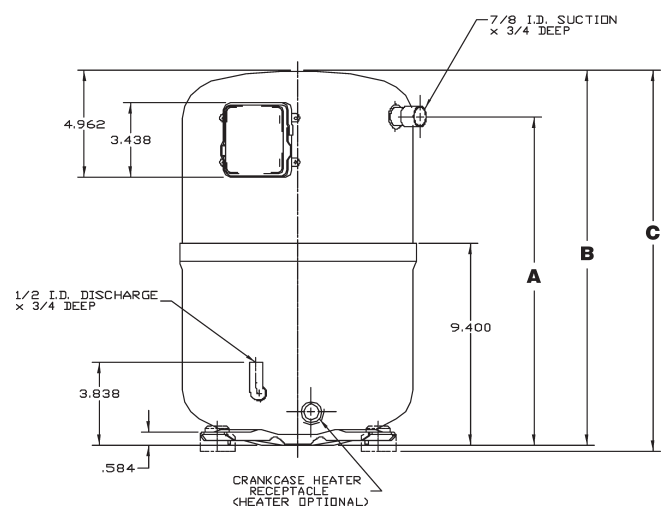
T26A

Model	Oil Charge		Weight				ELECTRICAL START COMPONENTS			DIMENSIONS					
							Run Capacitor	Start Capacitor	Kickstart	*DIAGRAMS FOUND ON PAGE 97					
	OZ	L	Net Lbs	Net Kg	Ship Lbs	Ship Kg	MFD/VOLTS	MFD/VOLTS	Part No.	A		B		C	
									IN	MM	IN	MM	IN	MM	
T89A424BBC-1	65	1.9	112	50.9	116.0	52.7	55/370	324-356/330	KSTS324	15.3	387.8	17.4	442.4	17.7	449.5
T89A424BBC-2	65	1.9	112	50.9	116.0	52.7	55/370	324-356/330	KSTS324	15.3	387.8	17.4	442.4	17.7	449.5
T89A514BBC-1	65	1.9	112	50.9	116.0	52.7	55/370	324-356/330	KSTS324	15.3	387.8	17.4	442.4	17.7	449.5
T89A514BBC-2	65	1.9	112	50.9	116.0	52.7	55/370	324-356/330	KSTS324	15.3	387.8	17.4	442.4	17.7	449.5

Model	Oil Charge		Weight				ELECTRICAL START COMPONENTS			DIMENSIONS					
							Run Capacitor	Start Capacitor	G.E. Relay	*DIAGRAMS FOUND ON PAGE 97					
	OZ	L	Net Lbs	Net Kg	Ship Lbs	Ship Kg	MFD/VOLTS	MFD/VOLTS		A		B		C	
									IN	MM	IN	MM	IN	MM	
T81J195CBC-1	40	1	90.0	40.9	93.0	42.3	30/440	216-259/330	GE3ARR22*3U*	15.24	386.97	15.63	396.88	15.92	404.39
T81J195CBC-2	40	1	90.0	40.9	93.0	42.3	30/440	216-259/33	GE3ARR3*24E*						
T81J285CBC-1	40	1	90.0	40.9	93.0	42.3	40/440	238-262/370	GE3ARR22*3S*	15.24	386.97	15.63	396.88	15.92	404.39
T81J285CBC-2	40	1	90.0	40.9	93.0	42.3	40/440	238-262/370	GE3ARR22*24C*						
T81J384CBC-1	40	1	90.0	40.9	93.0	42.3	55/440	324-356/330	GE3ARR22*3L*	15.24	386.97	15.63	396.88	15.92	404.39
T81J384CBC-2	40	1	90.0	40.9	93.0	42.3	55/440	324-356/330	GE3ARR22*4B*						



T29A



T89A

KICKSTART Aftermarket Start Assist

KICKSTART Start Assist is acceptable for use as a field installed start assist for Bristol Compressors products. User must verify proper voltage rating of the start capacitor included in the integrated start kit package is as listed below.

NOTE:

330v may be used where 250v is specified.

The kit has only 2 wires and installs in parallel with the system run capacitor.

For maximum service life, Bristol Compressors recommends the specified 3-WIRE start capacitor and relay combination noted on each individual compressor model specification sheet.

KICKSTART Model	Start Capacitor (Type II)	Bristol Model (230v - 60Hz)
KS8	108-130 μ fd/250V	H*3B, H*4B, H20J15 thru 25, H21J14 thru 25
TO-5	189-227 μ fd/330V	H2*J27 thru 38, H8*J18 thru 22
TO-5	189-227 μ fd/250V	H*3A, H*4A, H*3B, H*4B, H*5B, H*6B, H*7B, H29B, H20J27 & 29, H80J32
KS1	270-324 μ fd/330V	H*5A, H*6A, H*7A, H*8A, H*9A, H89B, H2*J40 thru 44, H80J29 & 38

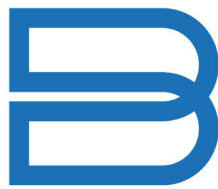
TO-5 may be substituted for KS8

IMPORTANT!!

All KS8 and TO-5 kits will be rated 330v after September 2006.

For TS (Twin Single) products, please refer to individual compressor model specification sheets. Use of any other start component or devices is not recommended and **WILL VOID ANY WARRANTY CLAIMS.**

NOTES



BENCHMARK™
COMPRESSION SOLUTIONS

The Future of Refrigeration Solutions.



Quiet, Efficient, Reliable.

- Compliant to adverse conditions. **TESTED TOUGH!**
- Up to 15% higher efficiency compared to competitive models
- Complete R404A offering:
 - 1/2 HP through 4 HP
 - 50 hz and 60 hz
 - Single and three phase



Call us at 1-276-466-4121, or contact your local Bristol Compressors Distributor.
Visit our website at www.bristolcompressors.com.