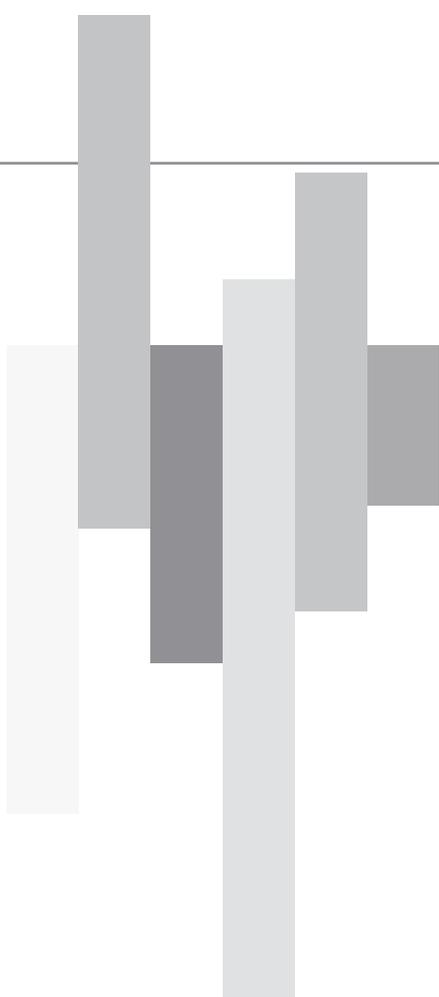


CU

3. Condensing Units Catalogue



MODEL	DISPLACEMENT cm ³	POWER hp	MAX. AMBIENCE TEMP. T = TROPICALIZED	APPLICATION	VOLTAGE FREQUENCY	MOTOR	EXPANSION	REFRIGERATION CAPACITY W WX 0.86 = KCAL/H W X 3.412 = BTU/H EVAPORATING TEMPERATURE °C								VERSION "3"			DESIGN		
								-25	-15	-5	5	7,2			10	W x L x H mm	SUCTION Inch	COMPRESSION Inch		WEIGHT Kg	
												W	W inp	A							
CGD30MB_N	3.0	1/10	43	T	HMBP	220-240V 50Hz ~1	CSIR	C - V	71	119	191	285	309	168	1.02	341	255x300x200	1/4	1/4	8,7	4A
CGD36MB_N	3.0	1/10	43	T	HMBP	220-240V 50Hz ~1	CSIR	C - V	91	147	230	341	369	196	1,09	407	255x300x200	1/4	1/4	8,8	4A
CGD40MB_N	4.0	1/8	43	T	HMBP	220-240V 50Hz ~1	CSIR	C - V	97	156	243	357	385	215	1,16	423	255x300x200	1/4	1/4	9,6	4A
CGL45PB_N	4.0	1/6	43	T	HMBP	220-240V 50Hz ~1	RSIR	C	108	183	286	416	448	238	1,11	491	320x425x220	3/8	1/4	14,5	3B
CGL45TB_N	4.0	1/6	43	T	HMBP	220-240V 50Hz ~1	CSIR	C - V	108	183	286	416	448	238	1,11	491	320x425x220	3/8	1/4	14,5	3B
CGL45TG_N	4.0	1/6	43	T	HMBP	200-240/220-230V 50/60Hz ~1	CSIR	C - V	109	180	279	407	439	219	1,1	482	320x425x220	3/8	1/4	14,5	3B
CGL60PB_N	5.0	1/5	43	T	HMBP	220-240V 50Hz ~1	RSIR	C	130	232	361	520	558	271	1,25	609	320x425x235	3/8	1/4	17	3B
CGL60TB_N	5.0	1/5	43	T	HMBP	220-240V 50Hz ~1	CSIR	C - V	130	232	361	520	558	271	1,25	609	320x425x235	3/8	1/4	17	3B
CGL60TG_N	5.0	1/5	43	T	HMBP	200-240/220-230V 50/60Hz ~1	CSIR	C - V	136	227	366	551	599	271	1,24	662	320x425x235	3/8	1/4	17	3B
CGL80PB_N	7.0	1/5	43	T	HMBP	220-240V 50Hz ~1	RSIR	C	166	285	441	636	684	343	1,85	747	340x425x235	3/8	1/4	17	3B
CGL80TB_N	7.0	1/5	43	T	HMBP	220-240V 50Hz ~1	CSIR	C - V	166	285	441	636	684	343	1,85	747	340x425x235	3/8	1/4	17	3B
CGL80TG_N	7.0	1/5	43	T	HMBP	200-220/220-230V 50/60Hz ~1	CSIR	C - V	178	300	473	699	755	333	1,83	831	340x425x235	3/8	1/4	17	3B
CGL90PB_N	8.0	1/4	43	T	HMBP	220-240V 50Hz ~1	RSIR	C	203	341	533	780	842	386	1,95	924	340x425x235	3/8	1/4	18,5	3B
CGL90TB_N	8.0	1/4	43	T	HMBP	220-240V 50Hz ~1	CSIR	C - V	203	341	533	780	842	386	1,95	924	340x425x235	3/8	1/4	18,5	3B
CGL90TG_N	8.0	1/4	43	T	HMBP	200-220/220-230V 50/60Hz ~1	CSIR	C - V	193	335	529	775	836	382	1,94	917	340x425x235	3/8	1/4	18,5	3B
CGP12PB_N	12.0	3/8	43	T	HMBP	220-240V 50Hz ~1	RSIR	C	251	448	704	1019	1097	604	3.02	1199	350x425x270	3/8	1/4	20	3B
CGP12TB_N	12.0	3/8	43	T	HMBP	220-240V 50Hz ~1	CSIR	C - V	251	448	704	1019	1097	604	3.02	1199	350x425x270	3/8	1/4	20	3B
CGP12TG_N	12.0	3/8	43	T	HMBP	200-220/220-230V 50/60Hz ~1	CSIR	C - V	251	412	671	1030	1123	539	2.99	1247	350x425x270	3/8	1/4	20	3B
CGP14PB_N	14.0	3/8	43	T	HMBP	220-240V 50Hz ~1	RSIR	C	292	498	778	1130	1217	668	4.01	1334	350x425x270	3/8	1/4	21,5	3B
CGP14TB_N	14.0	3/8	43	T	HMBP	220-240V 50Hz ~1	CSIR	C - V	292	498	778	1130	1217	668	4.01	1334	350x425x270	3/8	1/4	21,5	3B
CGP14TG_M	14.0	3/8	38	-	HMBP	200-220/220-230V 50/60Hz ~1	CSIR	C - V	325	530	820	1184	1275	630	3.92	1395	350x425x270	3/8	1/4	21,5	3B
CGP16TB_N	16	3/8	43	T	HBP	220-240V 50Hz ~1	CSIR	C - V	-	595	890	1270	1340	710	4,52	1495	365x510x300	3/8	3/8	23	2D
CGPY16RA_N	16.15	3/8	43	T	HMBP	220-240V 50Hz ~1	CSIR	C - V	390	641	945	1360	1435	656	3,95	1565	365x510x300	3/8	3/8	23,5	2D
CGX18TB_N	18.0	1/2	43	T	HMBP	220-240V 50Hz ~1	CSIR	C - V	385	675	1050	1510	1622	829	5.13	1771	365x510x300	3/8	3/8	28,5	2C
CGX21TB_N	20.0	5/8	43	T	HMBP	220-240V 50Hz ~1	CSIR	C - V	450	759	1178	1707	1838	926	5.74	2012	450x480x315	3/8	3/8	33	1E
CGX23TB_N	23.0	5/8	43	T	HMBP	220-240V 50Hz ~1	CSIR	C - V	492	906	1360	1853	1967	1027	6.12	2115	450x480x315	3/8	3/8	33	1E
CGS26TB_N	25.0	3/4	43	T	HMBP	220-240V 50Hz ~1	CSIR	C - V	524	989	1542	2182	2335	1125	6.85	2535	425x510x350	5/8	3/8	36	1B
CGS26TG_M	25.0	3/4	38	-	HMBP	200-220/220-230V 50/60Hz ~1	CSIR	C - V	565	1012	1597	2320	2498	1075	7.04	2734	425x530x350	5/8	3/8	36	1B
CGS30TB_N	29.0	7/8	43	T	HMBP	220-240V 50Hz ~1	CSR	C - V	609	1134	1811	2640	2843	1174	6.03	3112	425x530x350	5/8	3/8	39	1B
CGS34TB_N	34.0	1	43	T	HMBP	220-240V 50Hz ~1	CSR	C - V	686	1283	1992	2813	3009	1358	6.03	3266	425x530x350	5/8	3/8	39	1B
CGS34TB_N2F	34.0	1	43	T	HMBP	220-240V 50Hz ~1	CSR	C - V	774	1071	1818	3017	3341	1362	6.03	3785	480x650x335	5/8	3/8	41,5	6A

MODEL	DISPLACEMENT cm ³	POWER hp	MAX. AMBIENCE TEMP. T = TROPICALIZED	APPLICATION	VOLTAGE FREQUENCY	MOTOR	EXPANSION	REFRIGERATION CAPACITY W W X 0.86 = KCAL/H W X 3.412 = BTU/H EVAPORATING TEMPERATURE °C								VERSION "3"				DESIGN	
								-25	-15	-5	5	7,2			10	W x L x H mm	TUBES				
												W	W inp	A			Inch	Inch	Kg		
																					SUCTION
CGD40ME_N	4.0	1/8	43	T	HMBP	115V 60Hz ~1	CSIR	C - V	109	187	292	423	455	265	3.02	499	255x300x200	1/4	1/4	9,6	4A
CGL45TE_N	4.0	1/6	43	T	HMBP	115V 60Hz ~1	CSIR	C - V	135	223	345	501	540	289	3.02	591	320x425x220	3/8	1/4	14,5	3B
CGL45TG_N	4.0	1/6	43	T	HMBP	200-240/220-230V 50/60Hz ~1	CSIR	C - V	119	207	324	471	507	268	1,45	555	320x425x220	3/8	1/4	14,5	3B
CGL60TE_N	5.0	1/5	43	T	HMBP	115V 60Hz ~1	CSIR	C - V	157	278	431	616	661	315	2.99	721	320x425x235	3/8	1/4	17	3B
CGL60TG_N	5.0	1/5	43	T	HMBP	200-240/220-230V 50/60Hz ~1	CSIR	C - V	156	270	427	626	676	341	1,56	742	320x425x235	3/8	1/4	17	3B
CGL80PE_N	7.0	1/5	43	T	HMBP	115V 60Hz ~1	RSIR	C	213	358	561	822	887	412	4.02	974	340x425x235	3/8	1/4	17	3B
CGL80TE_N	7.0	1/5	43	T	HMBP	115V 60Hz ~1	CSIR	C - V	213	358	561	822	887	412	4.02	974	340x425x235	3/8	1/4	17	3B
CGL80TG_N	7.0	1/5	43	T	HMBP	200-220/220-230V 50/60Hz ~1	CSIR	C - V	208	355	559	819	884	415	2.02	970	340x425x235	3/8	1/4	17	3B
CGL90TE_N	8.0	1/4	43	T	HMBP	115V 60Hz ~1	CSIR	C - V	226	400	624	899	967	489	5.01	1056	340x425x235	3/8	1/4	18,5	3B
CGL90TG_N	8.0	1/4	43	T	HMBP	200-220/220-230V 50/60Hz ~1	CSIR	C - V	231	401	623	896	963	472	1.99	1052	340x425x235	3/8	1/4	18,5	3B
CGP12TE_N	12.0	3/8	43	T	HMBP	115V 60Hz ~1	CSIR	C - V	326	547	843	1213	1304	703	7.01	1425	350x425x270	3/8	1/4	20	3B
CGP12TG_N	12.0	3/8	43	T	HMBP	200-220/220-230V 50/60Hz ~1	CSIR	C - V	306	532	827	1190	1279	668	2.99	1397	350x425x270	3/8	1/4	20	3B
CGP14TE_M	14.0	3/8	38	-	HMBP	115V 60Hz ~1	CSIR	C - V	367	616	934	1320	1415	779	8.03	1539	350x425x270	3/8	1/4	21,5	3B
CGP14TG_M	14.0	3/8	38	-	HMBP	200-220/220-230V 50/60Hz ~1	CSIR	C - V	374	620	947	1355	1456	763	4.01	1590	350x425x270	3/8	1/4	21,5	3B
CGS26TG_M	25.0	3/4	38	-	HMBP	200-220/220-230V 50/60Hz ~1	CSIR	C - V	652	1177	1838	2635	2828	1368	7.04	3084	425x530x350	5/8	3/8	36	1B

R404A

HMBP | HBP

50 Hz

MODEL	DISPLACEMENT cm ³	POWER hp	MAX. AMBIENCE TEMP. T = TROPICALIZED	APPLICATION	VOLTAGE FREQUENCY	MOTOR	EXPANSION	REFRIGERATION CAPACITY										VERSION "3"				DESIGN
								W WX 0.86 = KCAL/H W X 3.412 = BTU/H EVAPORATING TEMPERATURE °C										DIMENSIONS W x L x H mm	TUBES			
								-25	-15	-5	5	7,2			10	SUCTON Inch	COMPRESSION Inch		WEIGHT Kg			
												W	W inp	A								
CML40TB_N	4.0	1/6	43	T	HMBP	220-240V 50Hz ~1	CSIR	C - V	199	300	428	583	621	349	2.02	671	320x425x235	3/8	1/4	14,6	3B	
CML45TB_N	4.0	1/5	43	T	HMBP	220-240V 50Hz ~1	CSIR	C - V	215	328	464	623	662	386	2.02	712	320x425x235	3/8	1/4	14,7	3B	
CML60TB_N	5.0	1/4	43	T	HMBP	220-240V 50Hz ~1	CSIR	C - V	266	409	579	777	824	479	1.99	886	325x425x235	3/8	1/4	22,5	3B	
CML80TB_N	7.0	3/8	43	T	HMBP	220-240V 50Hz ~1	CSIR	C - V	408	567	795	1094	1170	572	3.02	1271	345x450x270	3/8	1/4	23,5	3B	
CML80TG_N	7.0	3/8	43	T	HMBP	200-240/220-230V 50/60Hz ~1	CSIR	C - V	344	551	793	1070	1136	574	2.99	1223	345x450x270	3/8	1/4	23,5	3B	
CML90TB_N	8.0	3/8	43	T	HMBP	220-240V 50Hz ~1	CSIR	C - V	421	646	914	1226	1301	702	2.99	1399	350x425x270	3/8	3/8	23,9	3B	
CML90TG_N	8.0	3/8	43	T	HMBP	200-220/230V 50/60Hz ~1	CSIR	C - V	412	631	893	1196	1268	689	4.02	1363	350x425x270	3/8	3/8	23,9	3B	
CMP12TB_N	12.0	1/2	43	T	HMBP	220-240V 50Hz ~1	CSR	C - V	581	898	1281	1728	1835	863	4.01	1976	425x480x350	3/8	3/8	29,8	1F	
CMP12TG_N	12.0	1/2	43	T	HMBP	200-220/220-230V 50/60Hz ~1	CSR	C - V	588	898	1300	1797	1918	785	4.02	2080	425x500x350	3/8	3/8	29,5	1D	
CMP14TB_N	14.0	1/2	43	T	HMBP	220-240V 50Hz ~1	CSR	C - V	613	972	1389	1863	1975	1003	4.01	2122	425x500x350	3/8	3/8	29,9	1F	
CMX16TB_M	16.0	5/8	38	-	HMBP	220-240V 50Hz ~1	CSR	C - V	730	1160	1623	2121	2235	1202	5.01	2382	450x480x340	3/8	3/8	30	1C	
CMX16TB_N	16.0	5/8	43	T	HMBP	220-240V 50Hz ~1	CSR	C - V	740	1180	1655	2168	2260	1225	5,08	2480	430x495x350	3/8	3/8	30,5	1C	
CMX18TB_M	18.0	7/8	38	-	HMBP	220-240V 50Hz ~1	CSR	C - V	790	1206	1690	2170	2280	1375	6.01	2450	430x500x350	3/8	3/8	33	1C	
CMX21TB_N	20.0	1	43	T	HMBP	220-240V 50Hz ~1	CSR	C - V	847	1265	1798	2445	2603	1384	6.00	2812	455x500x440	3/8	3/8	36	1C	
CMS22TB_N	21.0	1	43	T	HMBP	220-240V 50Hz ~1	CSR	C - V	859	1354	1975	2720	2900	1292	6.03	3139	455x525x440	1/2	3/8	42	1B	
CMS22TB_N2F	21.0	1	43	T	HMBP	220-240V 50Hz ~1	CSR	C - V	880	1437	2126	2948	3146	1352	6.01	3408	480x650x335	1/2	3/8	39	6A	
CMS18T3_N	18.0	7/8	43	T	HMBP	400/440V 50/60Hz ~3	3 PHASE	C - V	706	1130	1644	2249	2395	1199	2.02	2586	425x530x350	1/2	3/8	36	1A	
CMS22T3_M	21.0	1	38	-	HMBP	400/440V 50/60Hz ~3	3 PHASE	C - V	943	1484	2121	2854	3028	1501	1.99	3256	455x515x440	1/2	3/8	38	1A	
CMS26T3_N	25.0	1 3/8	43	T	HMBP	400/440V 50/60Hz ~3	3 PHASE	C - V	1206	1919	2723	3617	3826	1707	3.02	4099	455x515x440	5/8	3/8	43,2	1A	
CMS26TB_N	25.0	1 3/8	43	T	HMBP	220-240V 50Hz ~1	CSR	C - V	1183	1853	2615	3468	3668	1778	8.03	3930	455x515x440	5/8	3/8	43,7	1B	
CMS26TB_N2F	25.0	1 3/8	43	T	HMBP	220-240V 50Hz ~1	CSR	C - V	1166	1834	2584	3417	3611	1744	8.03	3864	480x650x335	5/8	3/8	40	6A	
CMS34T3_N	34.0	1 5/8	43	T	HMBP	400/440V 50/60Hz ~3	3 PHASE	C - V	1527	2368	3289	4288	4519	2492	4.02	4818	455x515x440	5/8	3/8	44	1A	
CMS34TB_M	34.0	1 5/8	38	-	HBP	220-240V 50Hz ~1	CSR	C - V	1335	2424	3475	4485	4702	2434	12.07	4976	455x515x440	5/8	3/8	44,5	1B	
CMS34TB_N	34.0	1 5/8	43	T	HBP	220-240V 50Hz ~1	CSR	C - V	1345	2460	3520	4550	4780	2440	12,10	5170	455x515x440	5/8	3/8	44,5	1B	
CMS34TB_M2F	34.0	1 5/8	38	-	HBP	220-240V 50Hz ~1	CSR	C - V	1253	2237	3217	4192	4405	2532	12.07	4677	480x650x335	5/8	3/8	41	6A	

R404A

HMBP | HBP

60 Hz

MODEL	DISPLACEMENT cm ³	POWER hp	MAX. AMBIENCE TEMP. T = TROPICALIZED	APPLICATION	VOLTAGE FREQUENCY	MOTOR	EXPANSION	REFRIGERATION CAPACITY										VERSION "3"				DESIGN
								W WX 0.86 = KCAL/H W X 3.412 = BTU/H EVAPORATING TEMPERATURE °C										DIMENSIONS W x L x H mm	TUBES			
								-25	-15	-5	5	7,2			10	SUCTON Inch	COMPRESSION Inch		WEIGHT Kg			
												W	W inp	A								
CML80TG_N	7.0	3/8	43	T	HMBP	200-240/220-230V 50/60Hz ~1	CSIR	C - V	420	654	930	1247	1322	721	2.99	1421	345x450x270	3/8	1/4	23,5	3B	
CML90TG_N	8.0	3/8	43	T	HMBP	200-220/230V 50/60Hz ~1	CSIR	C - V	483	745	1040	1367	1443	862	4.01	1542	350x425x270	3/8	3/8	23,9	3B	
CMP12TG_N	12.0	1/2	43	T	HMBP	200-220/220-230V 50/60Hz ~1	CSR	C - V	669	1040	1467	1950	2064	988	4.01	2213	425x500x350	3/8	3/8	29,5	1D	
CMS18T3_N	18.0	7/8	43	T	HMBP	400/440V 50/60Hz ~3	3 PHASE	C - V	778	1293	1859	2476	2619	1496	2.02	2804	425x530x350	1/2	3/8	36	1A	
CMS22T3_M	21.0	1	38	-	HMBP	400/440V 50/60Hz ~3	3 PHASE	C - V	1079	1728	2407	3117	3277	1913	3.01	3483	455x515x440	1/2	3/8	38	1A	
CMS26T3_N	25.0	1 3/8	43	T	HMBP	400/440V 50/60Hz ~3	3 PHASE	C - V	1383	2202	3080	4017	4231	2189	3.02	4508	455x515x440	5/8	3/8	43,2	1A	
CMS34T3_N	34.0	1 5/8	43	T	HMBP	400/440V 50/60Hz ~3	3 PHASE	C - V	1678	2597	3511	4419	4618	3047	5.04	4871	455x515x440	5/8	3/8	44	1A	

R404A

LBP

50 Hz

MODEL	DISPLACEMENT cm ³	POWER hp	MAX. AMBIENCE TEMP. T = TROPICALIZED	APPLICATION	VOLTAGE FREQUENCY	MOTOR	EXPANSION	REFRIGERATION CAPACITY W WX 0.86 = KCAL/H W X 3.412 = BTU/H EVAPORATING TEMPERATURE °C							VERSION "3"				DESIGN	
								-23,3			-20	-10	DIMENSIONS W x L x H mm	TUBES						
								-40	-30	W				W inp	A	SUCTION Inch	COMPRESSION Inch	WEIGHT Kg		
CML45FB_N	4.0	1/6	43	T	LBP	220-240V 50Hz ~1	CSIR	C - V	95	162	220	225	1.0	253	370	320x425x220	3/8	1/4	14,5	3B
CML60FB_N	5.0	1/5	43	T	LBP	220-240V 50Hz ~1	CSIR	C - V	122	206	277	268	0.99	316	453	320x425x220	3/8	1/4	16,5	3B
CML80FB_N	8.0	1/4	43	T	LBP	220-240V 50Hz ~1	CSIR	C - V	169	274	357	342	1.99	401	548	320x425x220	3/8	1/4	17,2	3B
CML90FB_N	8.0	1/3	43	T	LBP	220-240V 50Hz ~1	CSIR	C - V	195	310	419	355	1.99	482	709	325x425x235	3/8	1/4	19,2	3B
CMLY80LA_N	8.0	1/4	43	T	LBP	220-240V 50Hz ~1	CSR	C - V	199	313	422	325	1,85	486	715	325x425x235	3/8	1/4	19,2	3B
CMLY90LA_N	9.0	1/4	43	T	LBP	220-240V 50Hz ~1	CSR	C - V	264	357	480	382	1,96	545	780	340x425x245	3/8	1/4	19,2	3B
CMP12FB_N	12.0	3/8	43	T	LBP	220-240V 50Hz ~1	CSIR	C - V	263	437	585	467	1.99	670	953	340x425x245	3/8	1/4	22,3	3B
CMP14FB_N	14.0	1/2	43	T	LBP	220-240V 50Hz ~1	CSIR	C - V	280	475	630	567	2.98	735	1010	340x425x245	3/8	1/4	22,3	3B
CMPT12LA_N	12.0	3/8	43	T	LBP	220-240V 50Hz ~1	CSR	C - V	310	510	620	455	2,2	715	980	340x425x245	3/8	1/4	22,3	3A
CMPT14LA_N	14.0	1/2	43	T	LBP	220-240V 50Hz ~1	CSR	C - V	380	640	750	537	2.61	820	1095	425x340x270	3/8	3/8	23	3A
CMX18FB_N	18.0	5/8	43	T	LBP	220-240V 50Hz ~1	CSR	C - V	349	611	820	639	2.97	933	1313	350x510x275	3/8	3/8	28	2A
CMX21FB_N	20.0	3/4	43	T	LBP	220-240V 50Hz ~1	CSR	C - V	544	840	1062	712	2.98	1178	1560	365x510x305	3/8	3/8	29,8	2A
CMX23FB_M	23.0	7/8	38	-	LBP	220-240V 50Hz ~1	CSR	C - V	667	973	1209	813	3.97	1334	1750	365x510x305	3/8	3/8	30,3	2A
CMS26FB_N	25.0	3/4	43	T	LBP	220-240V 50Hz ~1	CSR	C - V	369	986	1399	883	3.97	1602	2217	425x510x350	1/2	3/8	39	1B
CMS30FB_N	29.0	7/8	43	T	LBP	220-240V 50Hz ~1	CSR	C - V	617	1132	1518	1120	4.96	1721	2385	425x530x350	5/8	3/8	39	1B
CMS34F3_N	34.0	1	43	T	LBP	400/440V 50/60Hz ~3	3 PHASE	C - V	627	1139	1535	1209	1.99	1746	2448	425x530x350	5/8	3/8	44	1A
CMS34FB_N	34.0	1	43	T	LBP	220V 50Hz ~1	CSR	C - V	826	1210	1638	1209	5.95	1899	2892	425x530x350	5/8	3/8	39,5	1B
CMS34FBb_N	34.0	1	43	T	LBP	220-240V 50Hz ~1	CSR	C - V	826	1210	1638	1209	5.95	1899	2892	425x530x350	5/8	3/8	39,5	6A

R404A

LBP

50 Hz

MODEL	DISPLACEMENT cm ³	POWER hp	MAX. AMBIENCE TEMP. T = TROPICALIZED	APPLICATION	VOLTAGE FREQUENCY	MOTOR	EXPANSION	REFRIGERATION CAPACITY W WX 0.86 = KCAL/H W X 3.412 = BTU/H EVAPORATING TEMPERATURE °C							VERSION "3"				DESIGN	
								-23,3			-20	-10	DIMENSIONS W x L x H mm	TUBES						
								-40	-30	W				W inp	A	SUCTION Inch	COMPRESSION Inch	WEIGHT Kg		
CMP14FE_N	14.0	1/2	43	T	LBP	115V 60Hz ~1	CSIR	C - V	335	561	752	739	8.97	859	1229	345x450x270	3/8	1/4	20,8	3B
CMS34F3_N	34.0	1	43	T	LBP	400/440V 50/60Hz ~3	3 PHASE	C - V	649	1247	1680	1415	1.98	1903	2616	425x530x350	5/8	3/8	44	1A

R22

HMBP

50 Hz

MODEL	DISPLACEMENT cm ³	POWER hp	MAX. AMBIENCE TEMP. T = TROPICALIZED	APPLICATION	VOLTAGE FREQUENCY	MOTOR	EXPANSION	REFRIGERATION CAPACITY W WX 0.86 = KCAL/H W X 3.412 = BTU/H EVAPORATING TEMPERATURE °C										VERSION "3"				DESIGN
												7,2			10	DIMENSIONS W x L x H mm	TUBES					
								-25	-15	-5	5	W	W inp	A			SUCTION Inch	COMPRESSION Inch	WEIGHT Kg			
CL40TN_M	4.0	1/6	38	-	HMBP	220-240V 50Hz ~1	CSIR	C - V	164	260	396	570	613	296	1.0	671	325x425x235	3/8	1/4	21	3B	
CL45TN_M	4.0	1/5	38	-	HMBP	220-240V 50Hz ~1	CSIR	C - V	171	280	427	610	655	325	1.0	716	325x425x235	3/8	1/4	21	3B	
CL57TN_M	5.0	1/4	38	-	HMBP	220-240V 50Hz ~1	CSIR	C - V	205	341	519	739	793	394	2.02	865	325x425x235	3/8	1/4	22	3B	
CL76TN_M	7.0	3/8	38	-	HMBP	220-240V 50Hz ~1	CSIR	C - V	326	469	689	986	1062	522	3.02	1163	340x425x270	3/8	1/4	23	3B	
CL88TN_M	8.0	3/8	38	-	HMBP	220-240V 50Hz ~1	CSIR	C - V	348	544	816	1163	1250	620	2.99	1365	350x425x270	3/8	3/8	24	3B	
CP12TN_M	12.0	1/2	38	-	HMBP	220-240V 50Hz ~1	CSR	C - V	422	709	1101	1597	1721	714	3.02	1885	355x510x300	3/8	3/8	27	2B	
CX18TN_M	18,0	3/4	38	-	HBP	200-220V 50Hz ~1	CSR	C - V	-	1045	1560	2172	2305	1080	5,1	2491	450x530x340	3/8	3/8	40	1C	
CS22TN_M	21.0	7/8	38	-	HMBP	220-240V 50Hz ~1	CSR	C - V	692	1255	1906	2644	2818	1226	6.03	3046	425x530x350	5/8	3/8	44	1B	
CS26TN_M	25.0	1	38	-	HMBP	220-240V 50Hz ~1	CSR	C - V	934	1531	2210	2969	3147	1667	8.02	3379	430x530x350	5/8	3/8	44	1B	

R290

HMBP

50 Hz

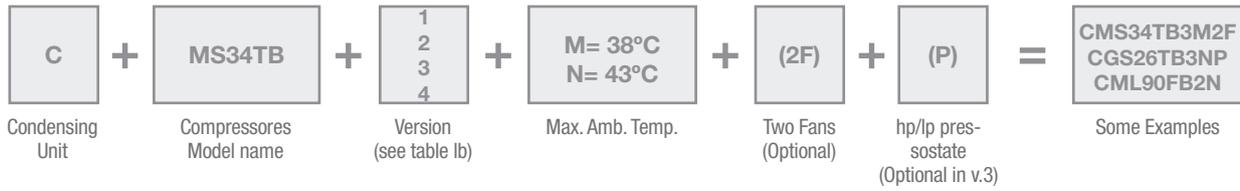
MODEL	DISPLACEMENT cm ³	POWER hp	MAX. AMBIENCE TEMP. T = TROPICALIZED	APPLICATION	VOLTAGE FREQUENCY	MOTOR	EXPANSION	REFRIGERATION CAPACITY W WX 0.86 = KCAL/H W X 3.412 = BTU/H EVAPORATING TEMPERATURE °C										VERSION "3"				DESIGN
												7,2			10	DIMENSIONS W x L x H mm	TUBES					
								-25	-15	-5	5	W	W inp	A			SUCTION Inch	COMPRESSION Inch	WEIGHT Kg			
CNL90TB_N	9.0	3/8	43	T	HMBP	220-240V 50Hz ~1	CSIR	C - V	330	473	688	963	1047	553	2.21	1148	350x425x270	3/8	3/8	24	3B	

R134a 12-42V_{DC}

LBP / MBP / HBP

MODEL	DISPLACEMENT cm ³	POWER hp	MAX. AMBIENCE TEMP. T = TROPICALIZED	APPLICATION	VOLTAGE FREQUENCY	MOTOR	REFRIGERATION CAPACITY W WX 0.86 = KCAL/H W X 3.412 = BTU/H EVAPORATING TEMPERATURE °C										VERSION "3"				DESIGN
							rpm	-23,3			-15	-5	5	10	DIMENSIONS W x L x H mm	TUBES					
								-30	W	W inp						A	SUCTION Inch	COMPRESSION Inch	WEIGHT Kg		
CGD30FDC	3.0	1/10	43	T	LBP / MBP / HBP	12 - 42 V DC	12V DC	1500	28	41	27	2,23	63	102	155	186	170x265x170	5/8"	5/8"	8	5A
								2167	40	55	40	3,31	87	135	195	233					
								2833	48	68	54	4,53	108	166	-	-					
								3500	56	85	71	5,93	134	-	-	-					

1a | DESIGNATION



1b | VERSION

VERSION "1"	VERSION "2"	VERSION "3"	VERSION "3P"	VERSION "4"
Basic equipment to be directly connected by soldering, to the tubes of the condenser. Applicable to systems with capillary expansion device.	Equipped with service valves in order to facilitate the connection and installation.	Equipped with service valves and liquid receiver. Applicable to systems with expansion valve.	Version "3" additionally equipped with a hp/lp pressostate.	Version "1" additionally equipped with a schrader valve on the refrigerant charging.

Optional accessories upon request: Sight Glass and Filter-Dryer

Sight Glass	Filter Dryer	Pressure Control	Schrader Valve	Service Valve
				

2 | TEST CONDITIONS

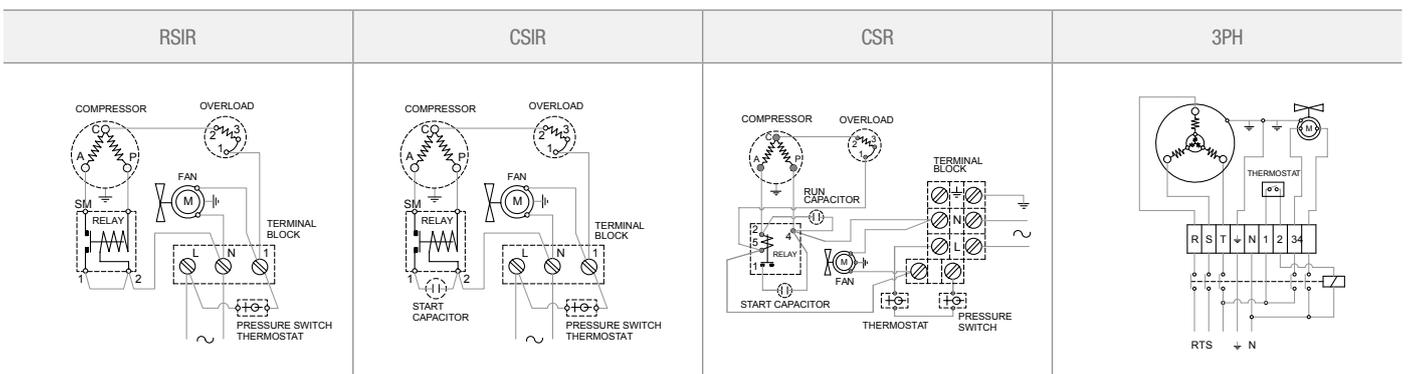
	HMBP HBP	LBP
Ambient and return gas temperature	35 °C	32 °C
Liquid temperature entering expansion valve	Subcooles to condenser limits	

Testing voltage equals the lowest value of the rated voltage range

3 | RATING CONDITIONS

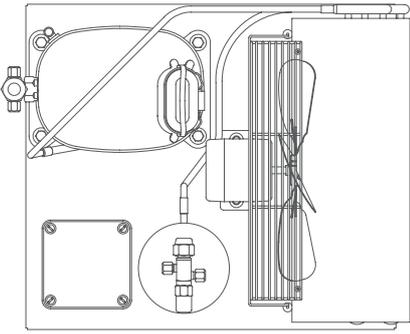
	HMBP HBP	LBP
Evaporating Temperature	7.2 °C	-23.3 °C

4 | WIRING DIAGRAMS

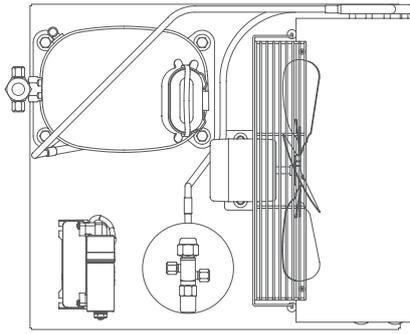


For any further information about Condensing Unit, please enter cubigel.com for available data sheet

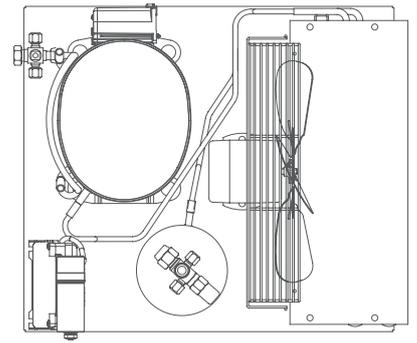
1A



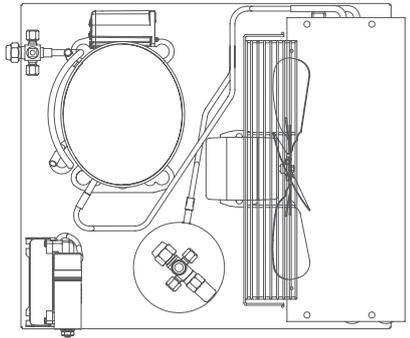
1B



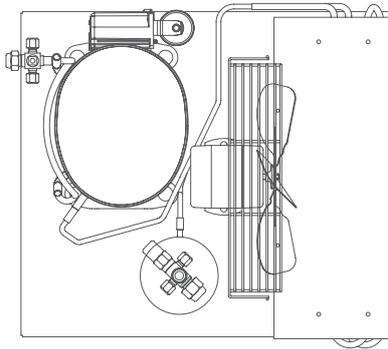
1C



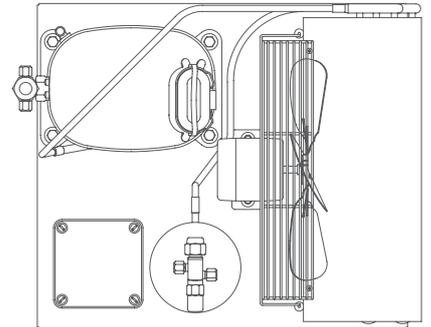
1D



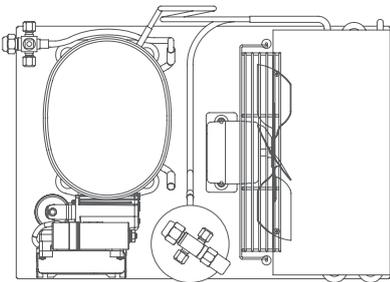
1E



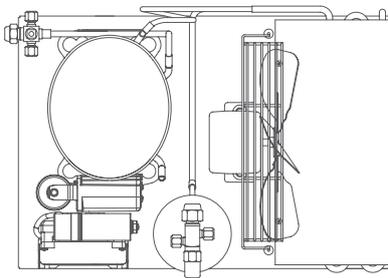
1F



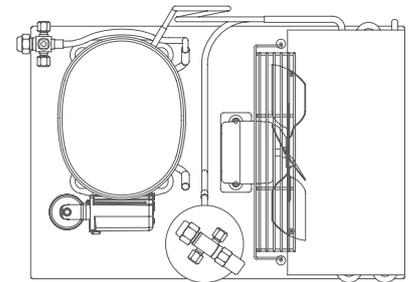
2A



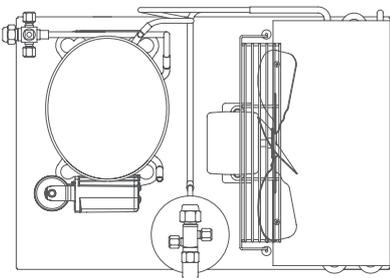
2B



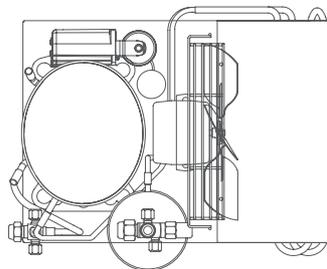
2C



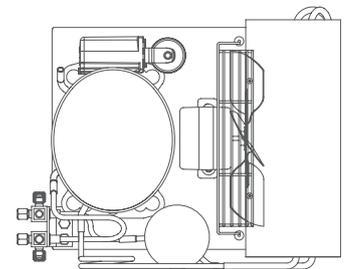
2D



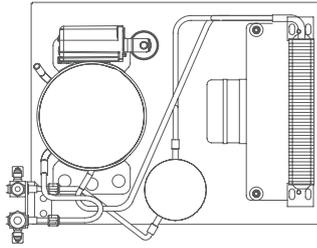
3A



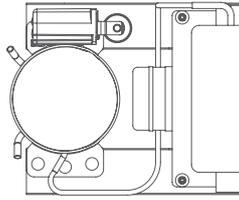
3B



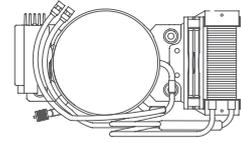
3C



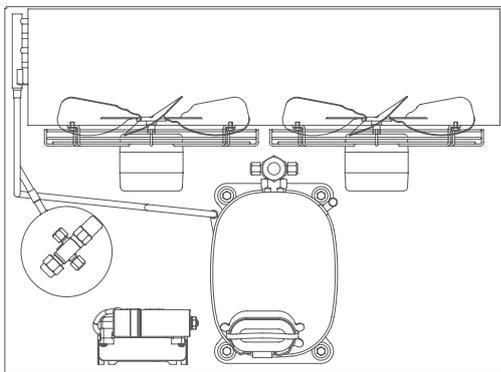
4A



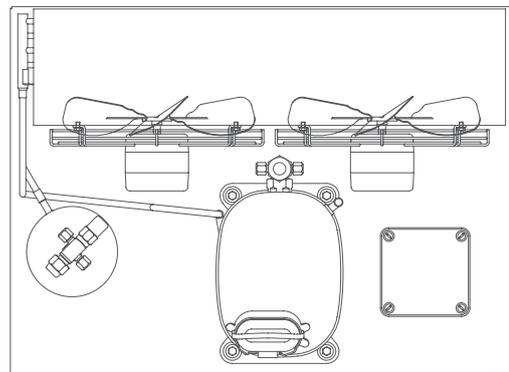
5A



6A



6B



6C

